



US00D423181S

United States Patent [19]
Dallman

[11] **Patent Number: Des. 423,181**
[45] **Date of Patent: ** Apr. 18, 2000**

[54] **AUTOMATIC TELLER MACHINE (ATM) SURROUND**

[75] Inventor: **Ernest R. Dallman**, Zionsville, Ind.

[73] Assignee: **Dallman Industrial Corporation**, Indianapolis, Ind.

[**] Term: **14 Years**

[21] Appl. No.: **29/097,020**

[22] Filed: **Nov. 25, 1998**

Related U.S. Application Data

[63] Continuation-in-part of application No. 08/996,421, Dec. 22, 1997, which is a continuation-in-part of application No. 29/047,266, Nov. 29, 1995, Pat. No. Des. 388,227, which is a continuation-in-part of application No. 29/030,926, Nov. 14, 1994, Pat. No. Des. 375,606, which is a continuation-in-part of application No. 29/022,639, May 10, 1994, Pat. No. Des. 361,192.

[51] **LOC (6) Cl.** **99-00**

[52] **U.S. Cl.** **D99/28; 99/43**

[58] **Field of Search** D99/28, 35, 41, D99/43; 109/24.1; D20/1, 5, 8; D14/100, 107, 114; 362/85

[56] **References Cited**

U.S. PATENT DOCUMENTS

- Re. 22,431 2/1944 Sloan, Jr. .
- D. 192,937 5/1962 Conde D20/5
- D. 264,764 6/1982 Freijd .
- D. 284,321 6/1986 Kobayashi .
- D. 286,098 10/1986 Prinzhorn .
- D. 288,011 1/1987 Prinzhorn .
- D. 289,215 4/1987 Prinzhorn .
- D. 293,151 12/1987 Prinzhorn .
- D. 293,269 12/1987 Prinzhorn .
- D. 303,448 9/1989 Noda et al. .
- D. 314,076 1/1991 Tarkany et al. .
- D. 319,329 8/1991 Ogasawara et al. .
- D. 320,047 9/1991 Novak .
- D. 326,756 6/1992 Milliken D99/28
- D. 331,996 12/1992 Fukutake et al. .
- D. 345,583 3/1994 Muehlberger D20/4
- D. 361,192 8/1995 Dallman et al. D99/28

- D. 375,606 11/1996 Dallman et al. D99/28
- D. 382,596 8/1997 Dallman D20/10
- D. 382,907 8/1997 Dallman D20/10
- D. 382,908 8/1997 Dallman D20/10
- D. 388,227 12/1997 Dallman et al. D99/28
- D. 405,934 2/1999 DePietro et al. D99/28
- D. 407,183 3/1999 DePietro et al. D99/28
- 2,140,418 12/1938 Dilts .
- 2,185,763 1/1940 Dee Lisle .
- 2,590,592 3/1952 Wittemann .
- 2,722,179 11/1955 Belew .
- 2,963,333 12/1960 Mestre .
- 3,028,209 4/1962 Hinkel et al. .
- 3,091,816 6/1963 Wetzel .
- 3,728,017 4/1973 Schmidlin et al. .
- 3,897,901 8/1975 Grosswiller, Jr. et al. .
- 4,192,544 3/1980 Patterson .
- 4,399,755 8/1983 Wiedmann .
- 4,457,492 7/1984 Lahti .
- 4,497,261 2/1985 Ferris et al. .

(List continued on next page.)

FOREIGN PATENT DOCUMENTS

- 3-50694 3/1991 Japan .
- 976991 12/1964 United Kingdom .

Primary Examiner—Paula A. Mortimer

[57] **CLAIM**

The ornamental design for an automatic teller machine (ATM) surround, as shown and described.

DESCRIPTION

FIG. 1 is a front perspective view of an automatic teller machine (ATM) surround showing my new design, the broken line showing of the elements are for illustrative purposes only and form no part of the claimed design, the broken lines to the bottom edge of the automatic teller machine surround discloses indeterminate length;

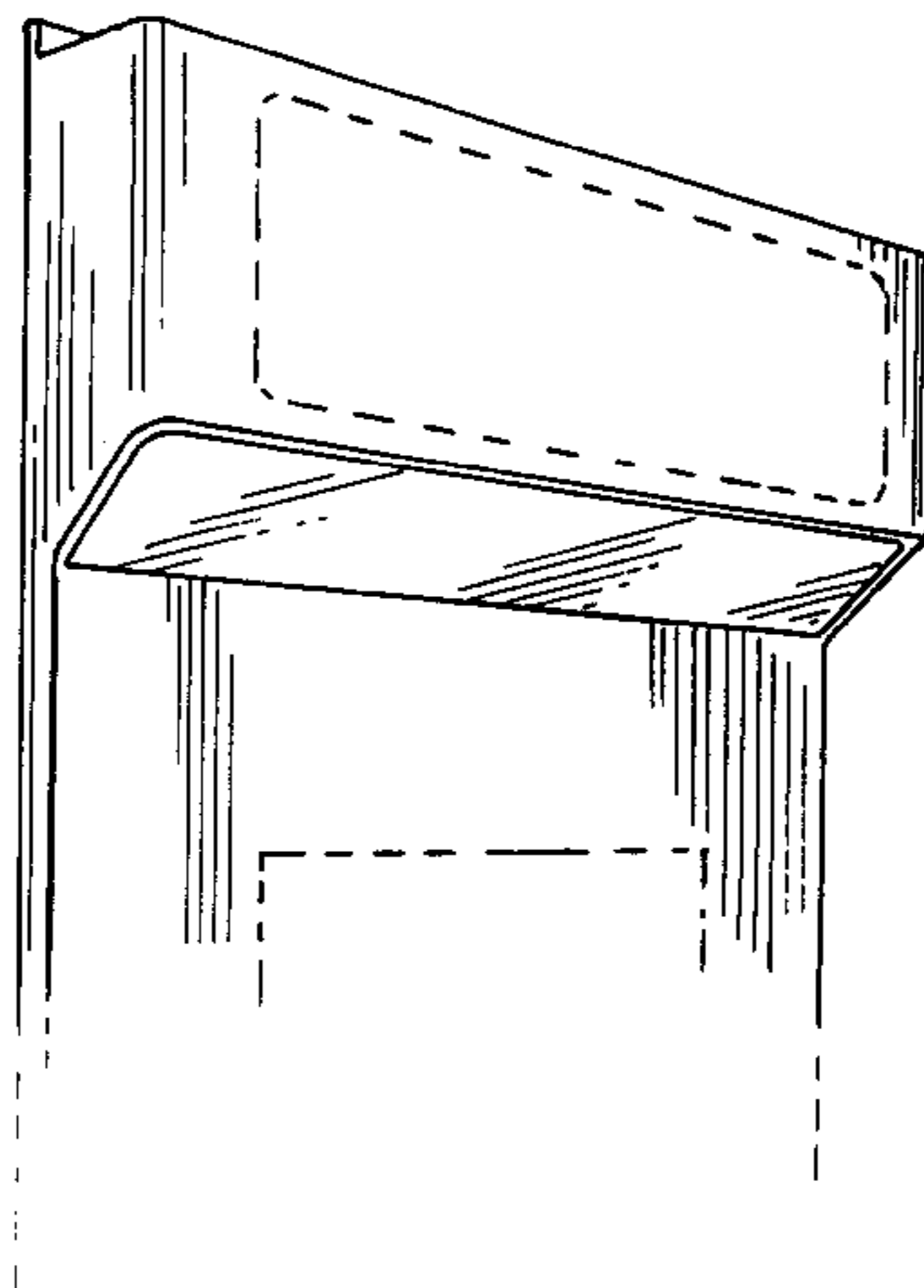
FIG. 2 is a front elevational view of the automatic teller machine (ATM) surround of FIG. 1;

FIG. 3 is a left side elevational view thereof, the right side elevational view being a mirror image of FIG. 3;

FIG. 4 is a top plan view thereof; and,

FIG. 5 is a bottom view thereof.

1 Claim, 1 Drawing Sheet



U.S. PATENT DOCUMENTS

4,513,670	4/1985	Berman .	5,052,878	10/1991	Brockhaus .
4,557,352	12/1985	Tschappat, Jr. .	5,087,107	2/1992	Fumanelli .
4,558,650	12/1985	Berman .	5,215,363	6/1993	Warwick, III .
4,577,562	3/1986	Berman .	5,222,445	6/1993	Capraro .
4,603,643	8/1986	Couvrette .	5,275,064	1/1994	Hobbs .
4,649,832	3/1987	Hain et al. .	5,299,511	4/1994	Dallman et al. .
4,681,044	7/1987	Dallman .	5,440,999	8/1995	Dallman et al. .
4,720,154	1/1988	Seiter .	5,611,288	3/1997	Dallman et al. .
4,813,475	3/1989	Couvrette .	5,615,623	4/1997	Capraro, Jr. .
4,856,437	8/1989	Trucksess .	5,794,547	8/1998	Dallman et al. .
5,036,779	8/1991	Capraro .	5,836,256	11/1998	Senterfeit, Sr. .

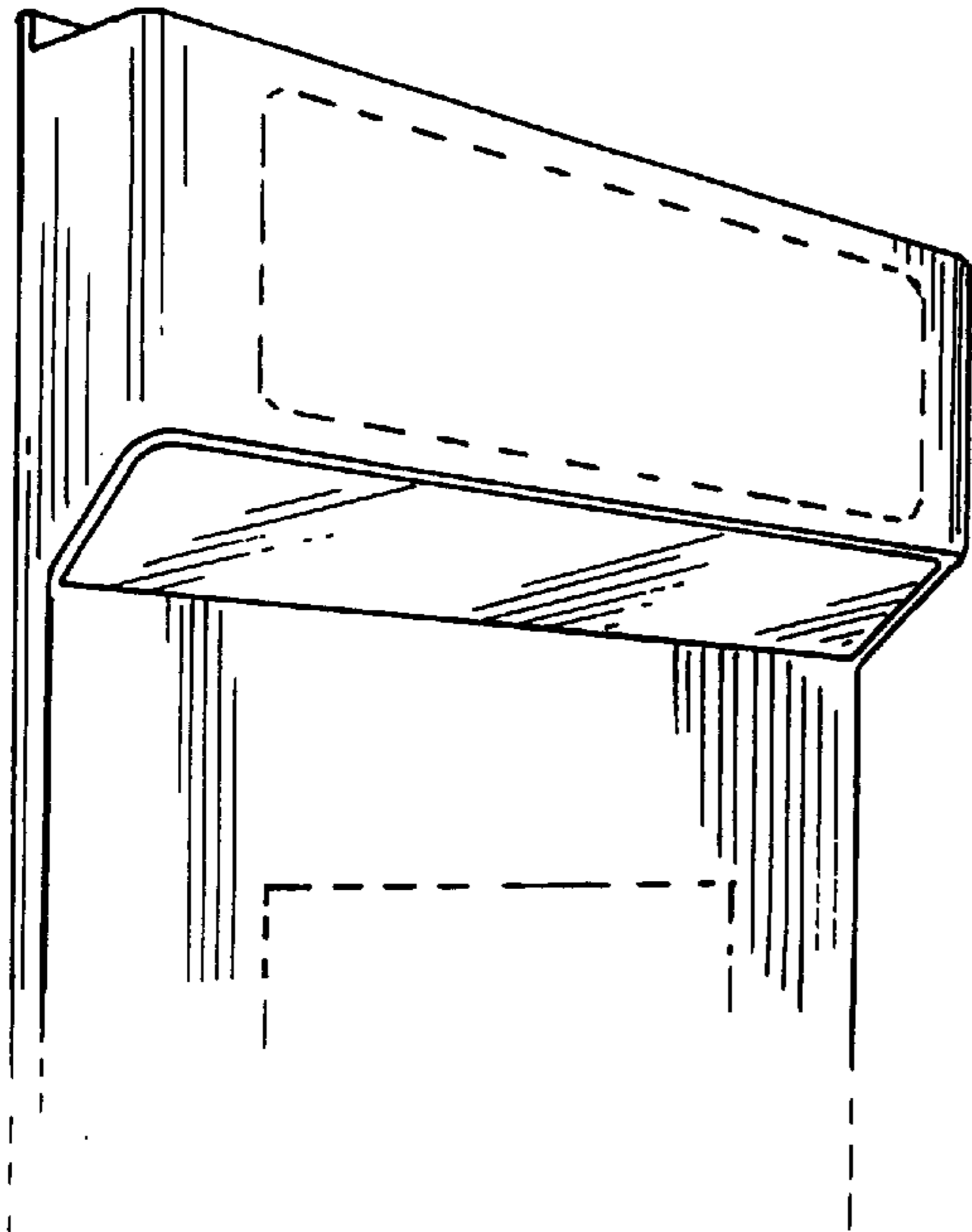


FIG. 1

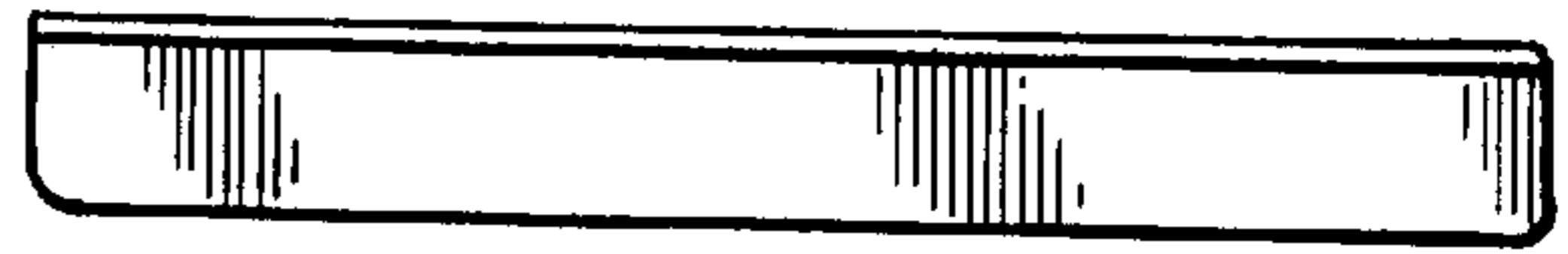


FIG. 4

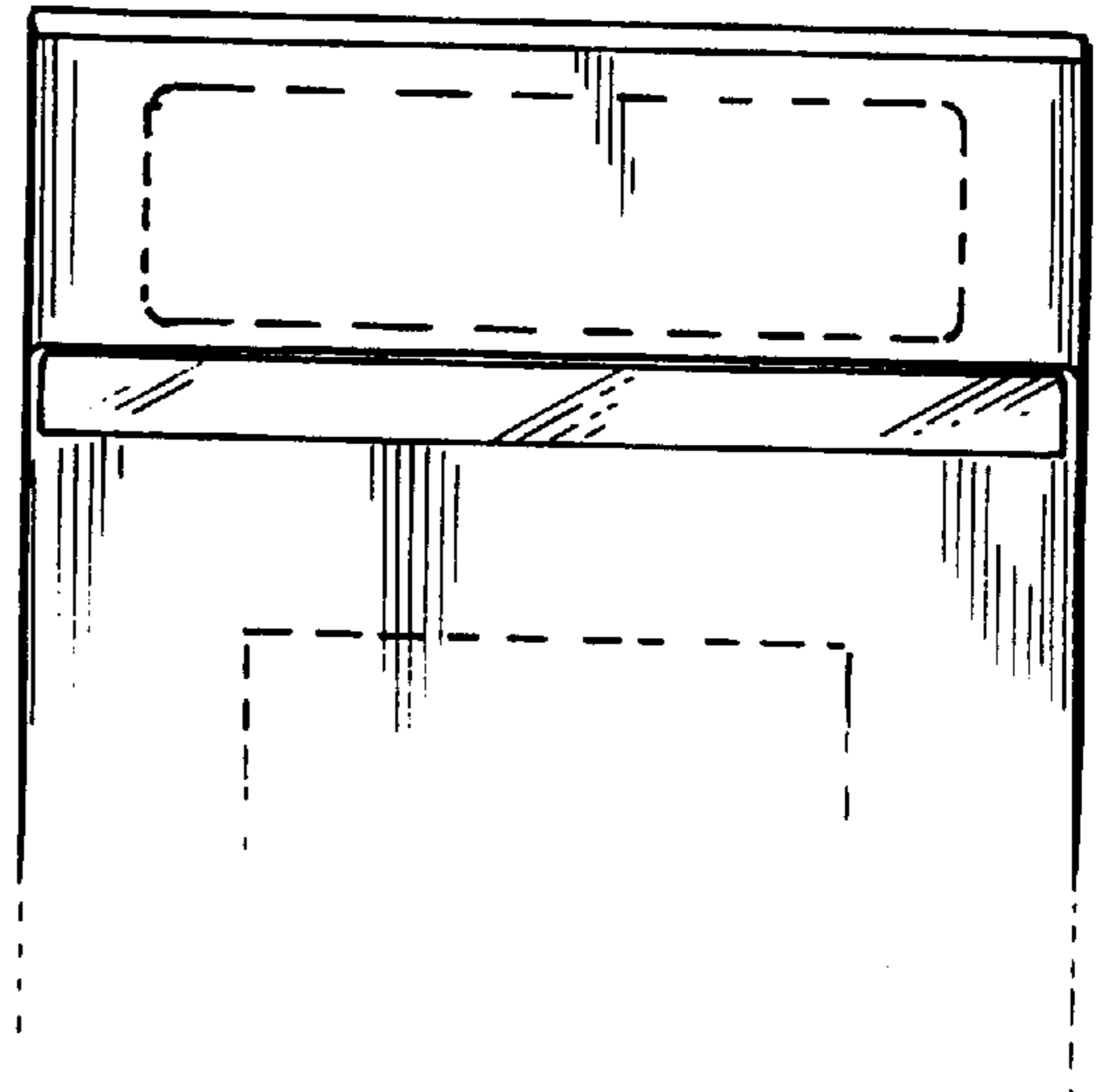


FIG. 2



FIG. 3



FIG. 5