



US00D423177S

**United States Patent** [19]  
**Gaffney et al.**

[11] **Patent Number: Des. 423,177**  
[45] **Date of Patent: \*\* Apr. 18, 2000**

[54] **FRAME MEMBER FOR CART**  
[75] Inventors: **Thomas E. Gaffney; Stephen R. Straus**, both of Sheboygan, Wis.  
[73] Assignee: **The Vollrath Company L.L.C.**, Sheboygan, Wis.  
[\*\*] Term: **14 Years**  
[21] Appl. No.: **29/099,232**  
[22] Filed: **Jan. 18, 1999**  
[51] **LOC (6) Cl.** ..... **12-02**  
[52] **U.S. Cl.** ..... **D34/27; D34/12**  
[58] **Field of Search** ..... D34/12-27; 280/79.11, 280/79.2, 79.3, 33.991, 47.34, 47.35; 108/59, 51.1, 53.1, 144, 153; 211/150, 149

5,131,547 7/1992 Goldberg ..... 211/149  
5,174,200 12/1992 Jeandel et al. .... 108/111  
5,280,933 1/1994 Finneyfrock ..... 280/47.34  
5,531,464 7/1996 Maurer et al. .... 280/47.35

**FOREIGN PATENT DOCUMENTS**

3619262A1 10/1987 Germany .

**OTHER PUBLICATIONS**

Lakeside Manufacturing, Inc., Advertisement/Brochure C. 1959.  
“Double-Decker Serving Trolley”, Holiday, 1991.  
Lakeside Manufacturing, Inc. Catalog, Jan. 1, 1998, pp. 24, 26, 27.  
The Vollrath Catalog, pp. 146-151.

*Primary Examiner*—Kay H. Chin  
*Attorney, Agent, or Firm*—Foley & Lardner

[56] **References Cited**

**U.S. PATENT DOCUMENTS**

Re. 27,186 10/1971 Ferdinand et al. .... 108/144  
D. 149,701 5/1948 Smith ..... D4/2  
D. 163,094 5/1951 Connor ..... D14/3  
D. 288,331 2/1987 Huldt ..... D34/21  
D. 290,177 6/1987 Trubiano ..... D34/23  
D. 300,787 4/1989 Carter ..... D6/390  
D. 319,716 9/1991 Addison ..... D34/21  
D. 324,284 2/1992 Welch ..... D34/21  
D. 362,528 9/1995 Shannon et al. .... D34/21  
D. 363,590 10/1995 Kazmerchek et al. .... D34/21  
2,886,186 5/1959 Hamilton ..... 211/126  
2,926,022 2/1960 Nau et al. .... 280/79.3  
3,172,376 3/1965 Havlis ..... 108/59  
3,262,714 7/1966 Langone ..... 280/79.2  
3,589,746 6/1971 Inglis et al. .... 280/79.3  
3,827,573 8/1974 Guerette ..... 211/149  
4,368,675 1/1983 Propst et al. .... 108/53.1  
4,579,358 4/1986 Byfield, Jr. .... 280/79.1 A  
4,652,003 3/1987 Karashima ..... 280/166  
4,793,497 12/1988 Hall et al. .... 211/150  
4,875,696 10/1989 Welch et al. .... 280/47.34  
4,895,382 1/1990 Andersson ..... 280/33.991  
4,998,023 3/1991 Kitts ..... 280/47.35  
5,065,873 11/1991 Tseng ..... 211/187

[57] **CLAIM**

We claim the ornamental design for a frame member for a cart, as shown and described.

**DESCRIPTION**

FIG. 1 is a top and front perspective view of a frame member for cart showing our new design;  
FIG. 2 is a front elevational view thereof;  
FIG. 3 is a top plan view thereof;  
FIG. 4 is a bottom plan view thereof;  
FIG. 5 is a left side elevational view thereof;  
FIG. 6 is a right side elevational view thereof;  
FIG. 7 is a top and front perspective view of a second embodiment of the frame member for a cart;  
FIG. 8 is a front elevational view of FIG. 7;  
FIG. 9 is a top plan view of FIG. 7;  
FIG. 10 is a bottom plan view of FIG. 7;  
FIG. 11 is a left side elevational view of FIG. 7; and,  
FIG. 12 is a right side elevational view of FIG. 7.  
The broken lines showing a cart and portions of a frame member for the cart in FIGS. 1-12 are for illustrative purposes only and form no part of the claimed design.

**1 Claim, 6 Drawing Sheets**

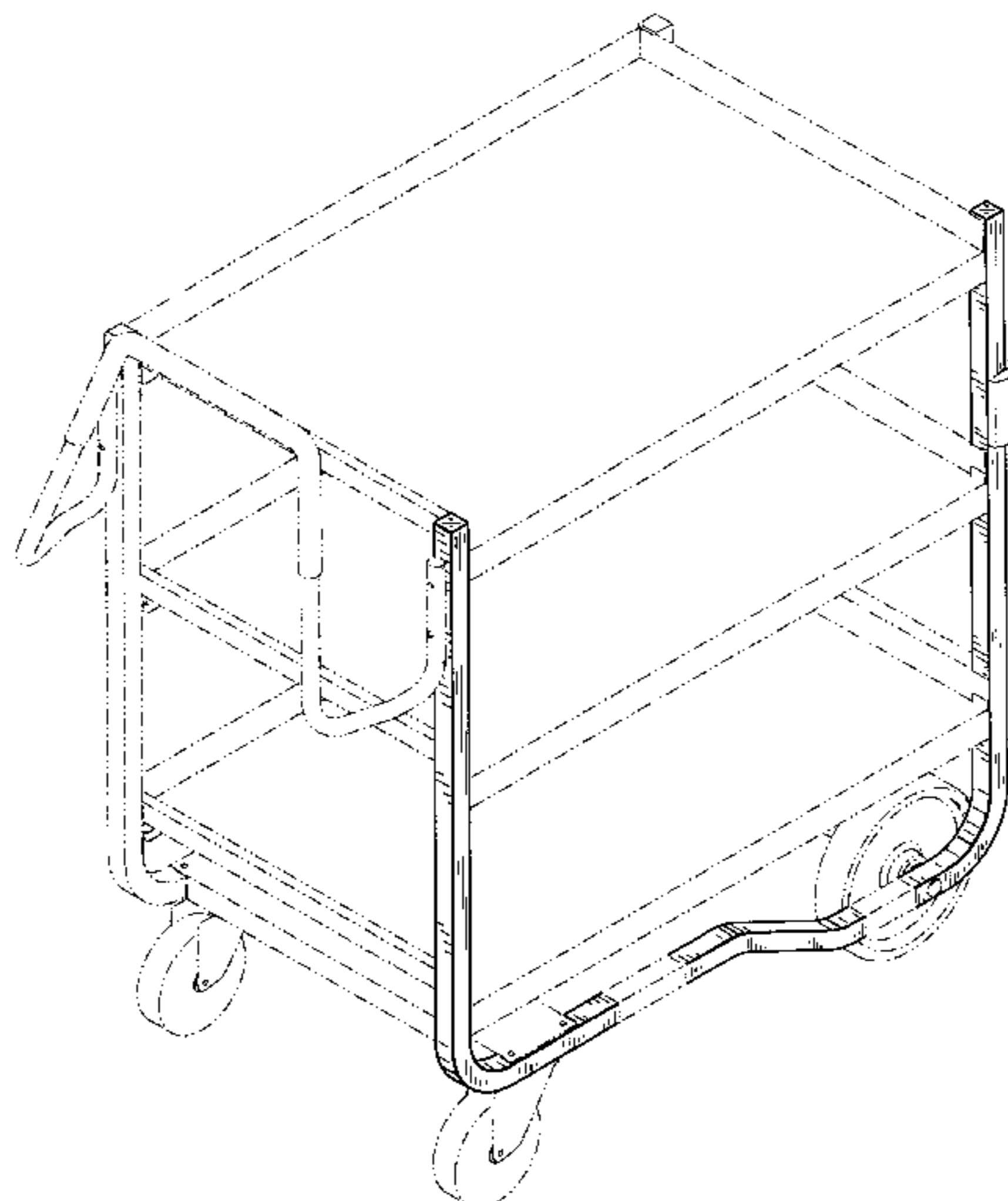


FIG. 1

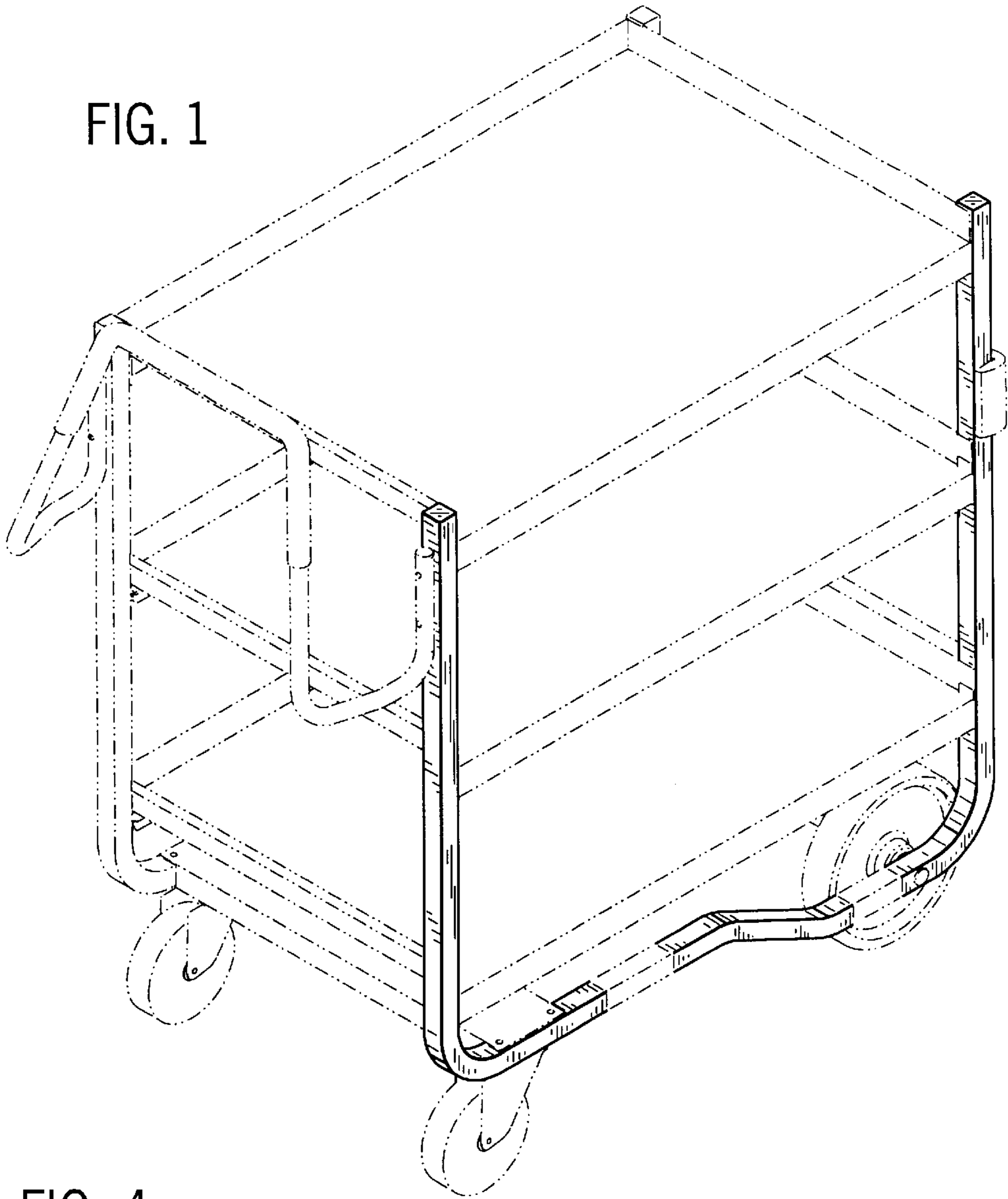


FIG. 4

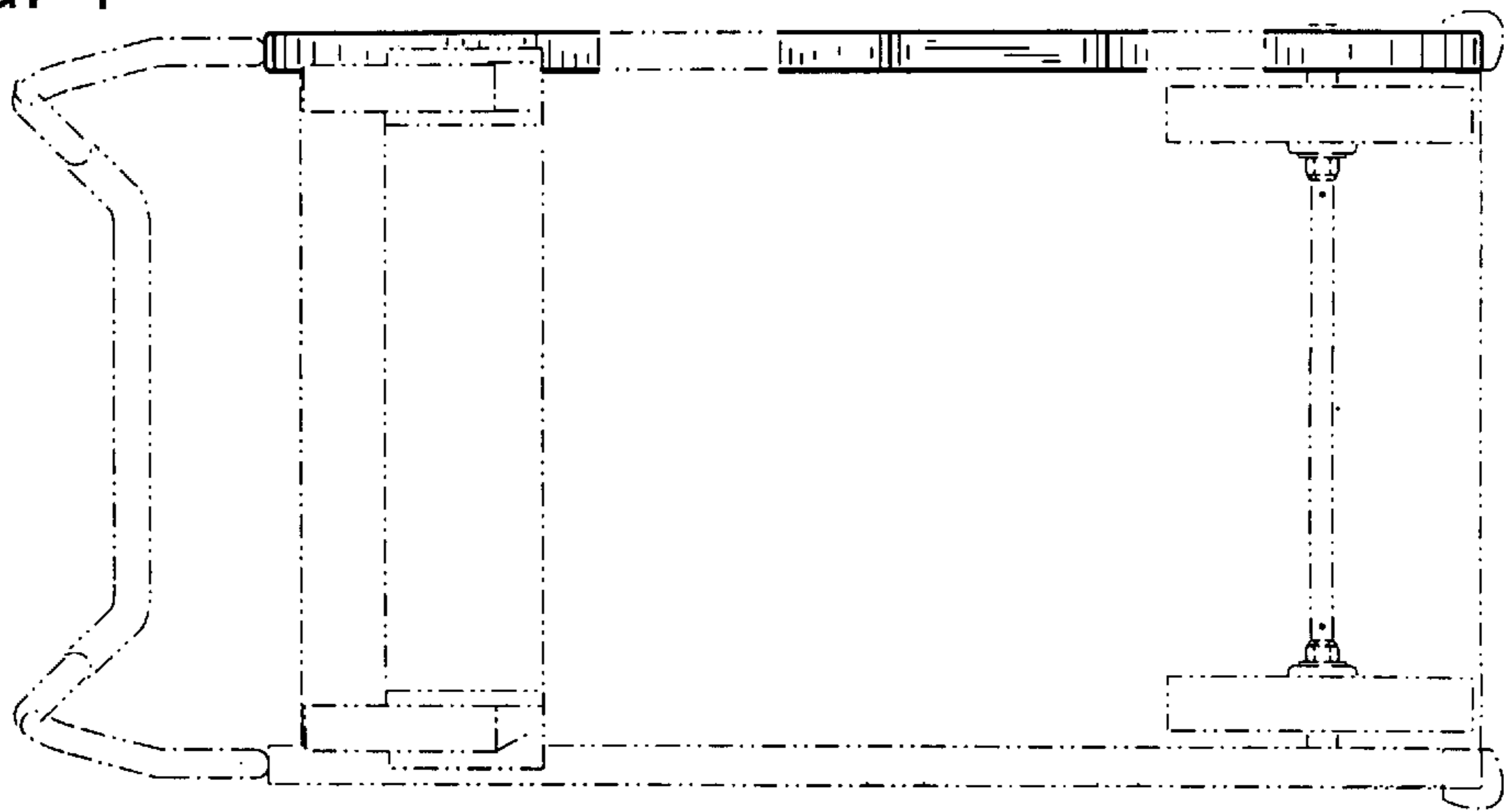


FIG. 2

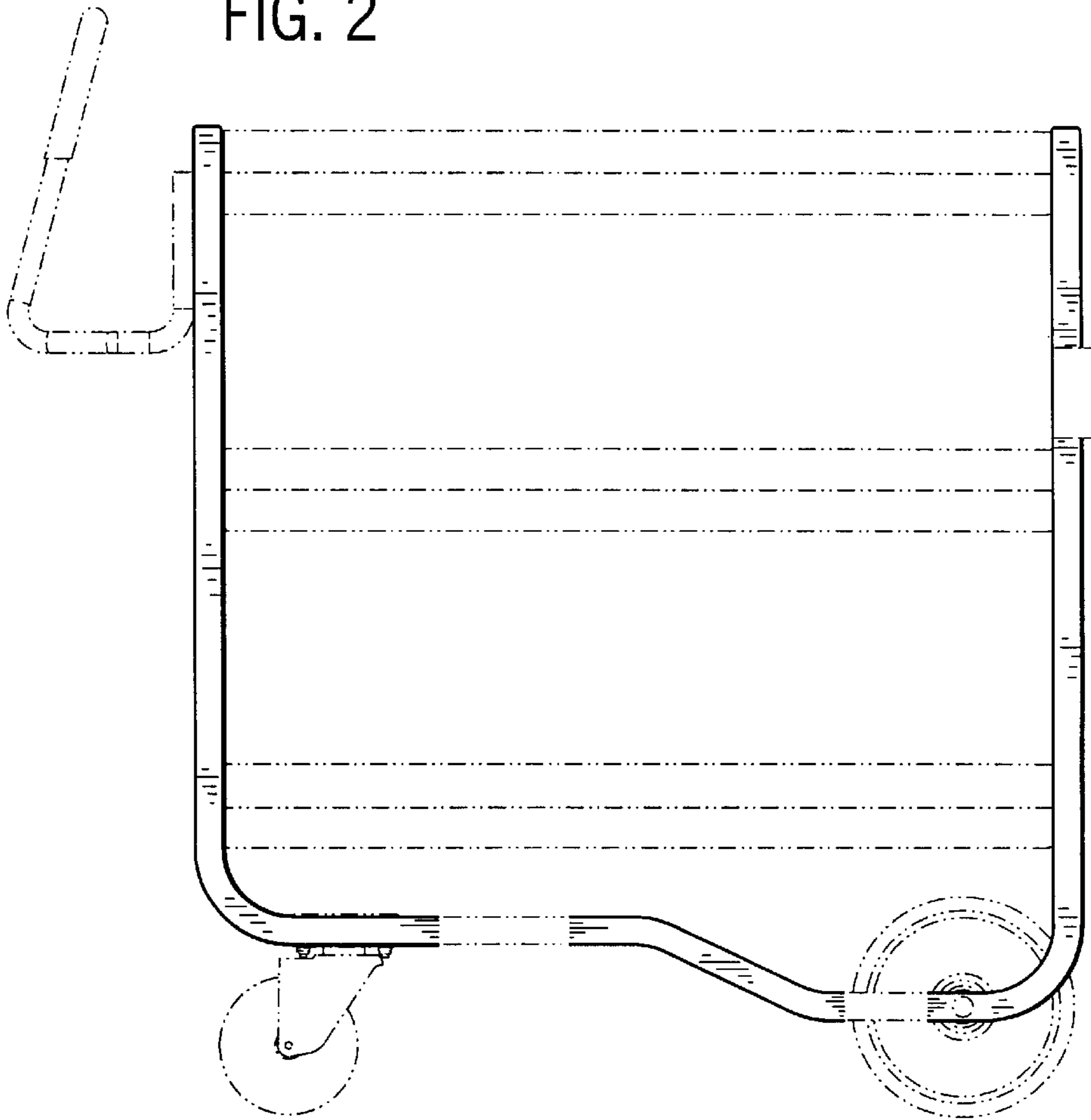


FIG. 3



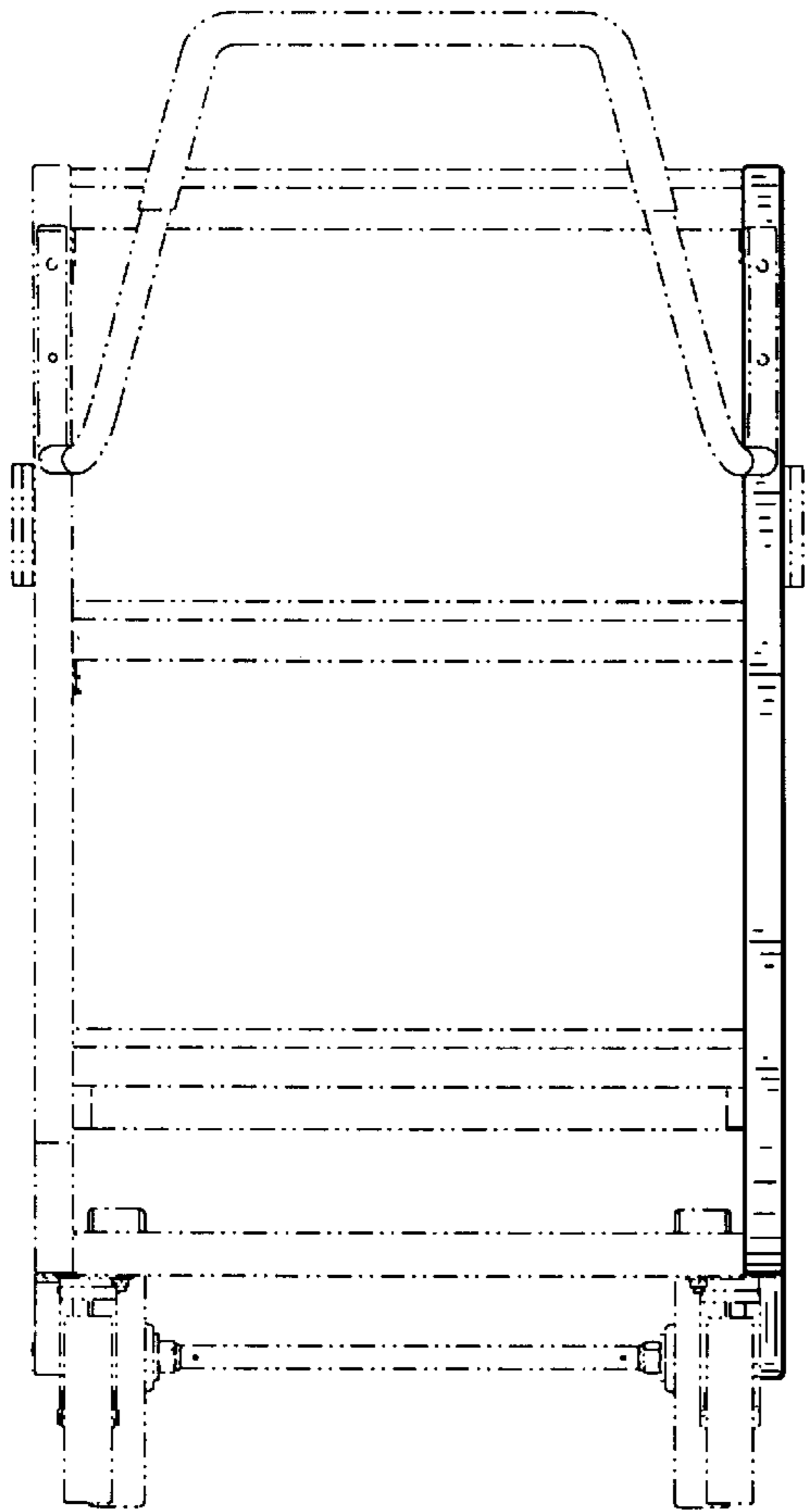


FIG. 5

FIG. 6

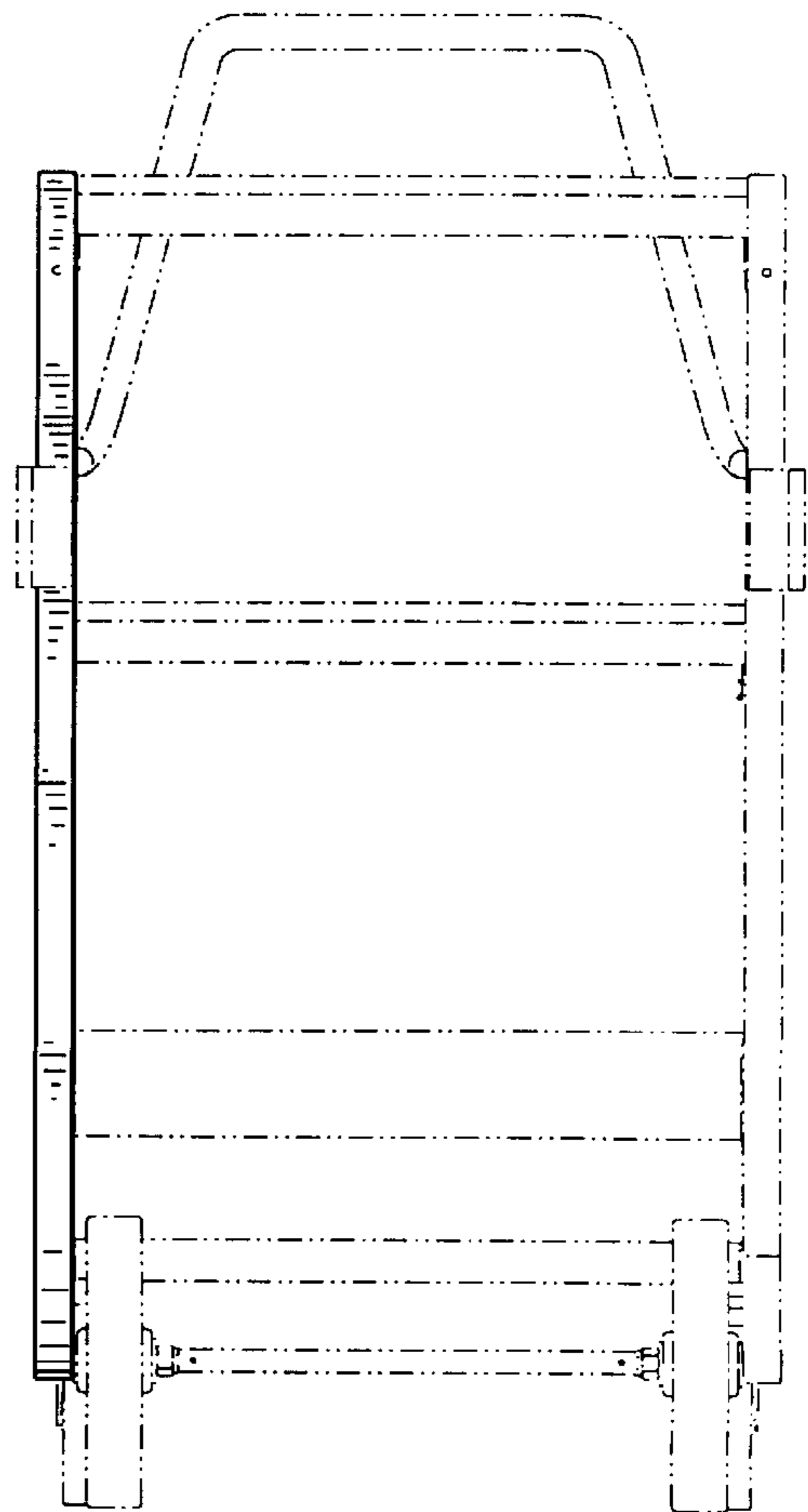


FIG. 7

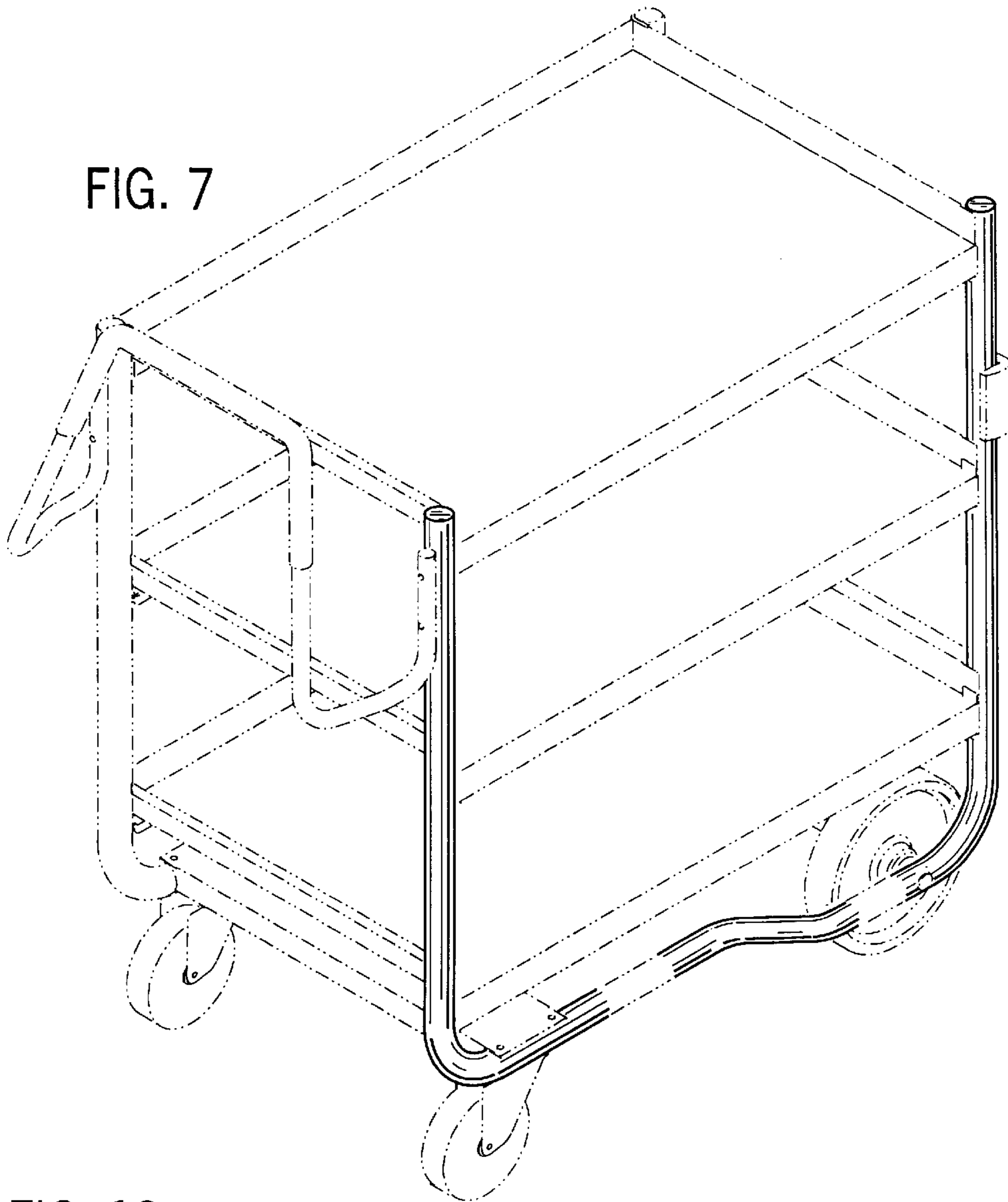


FIG. 10

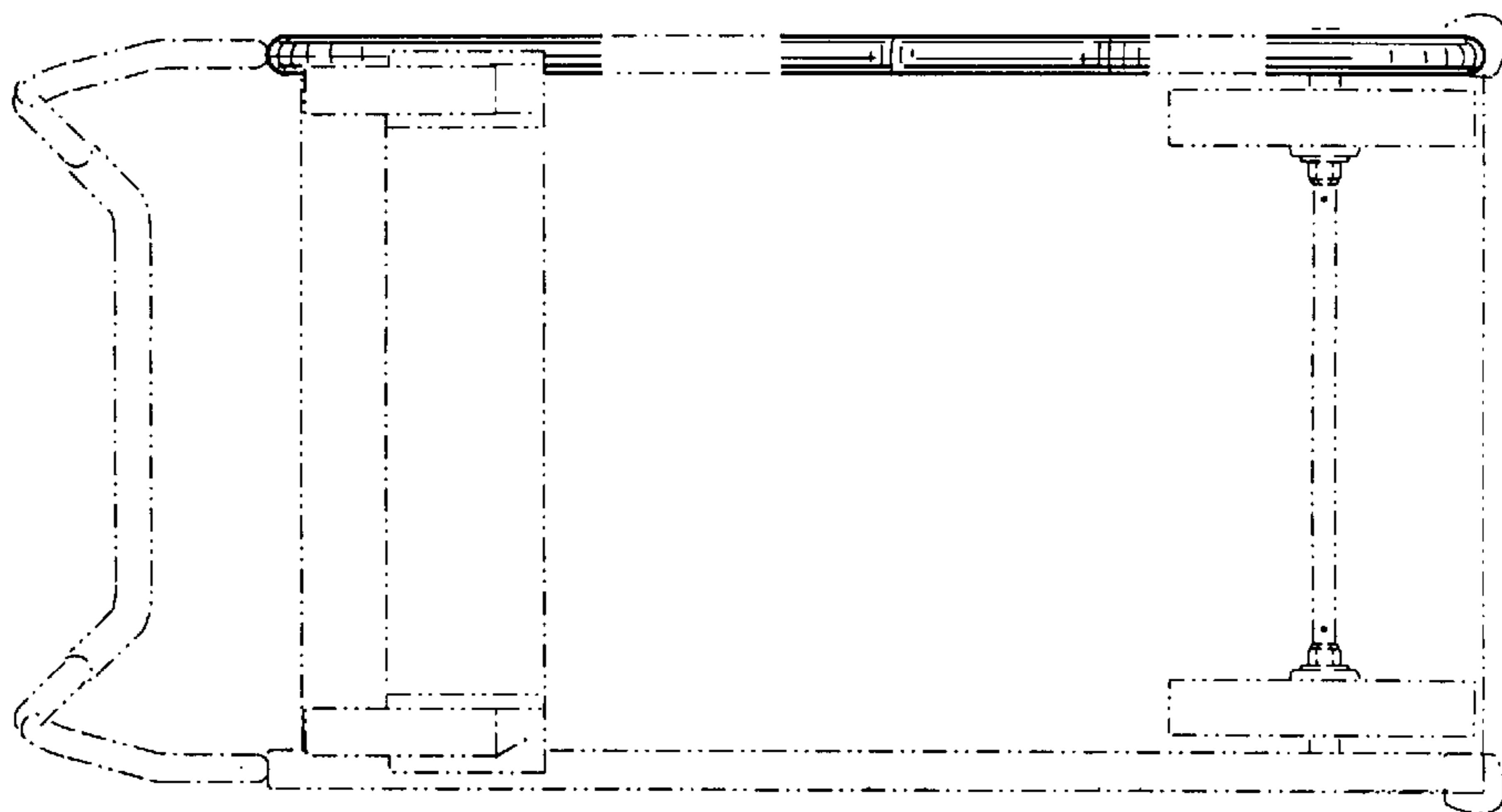


FIG. 8

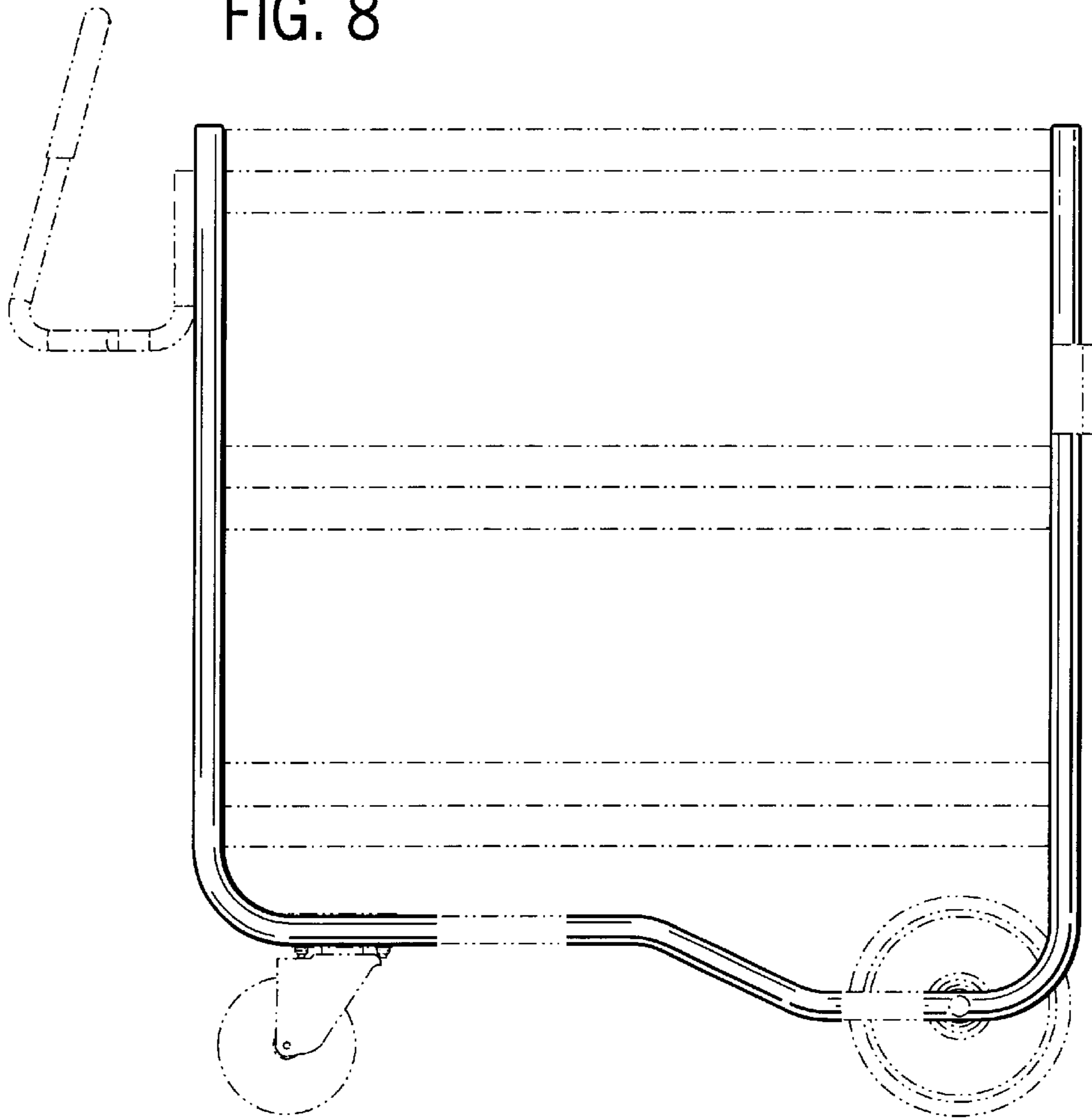


FIG. 9



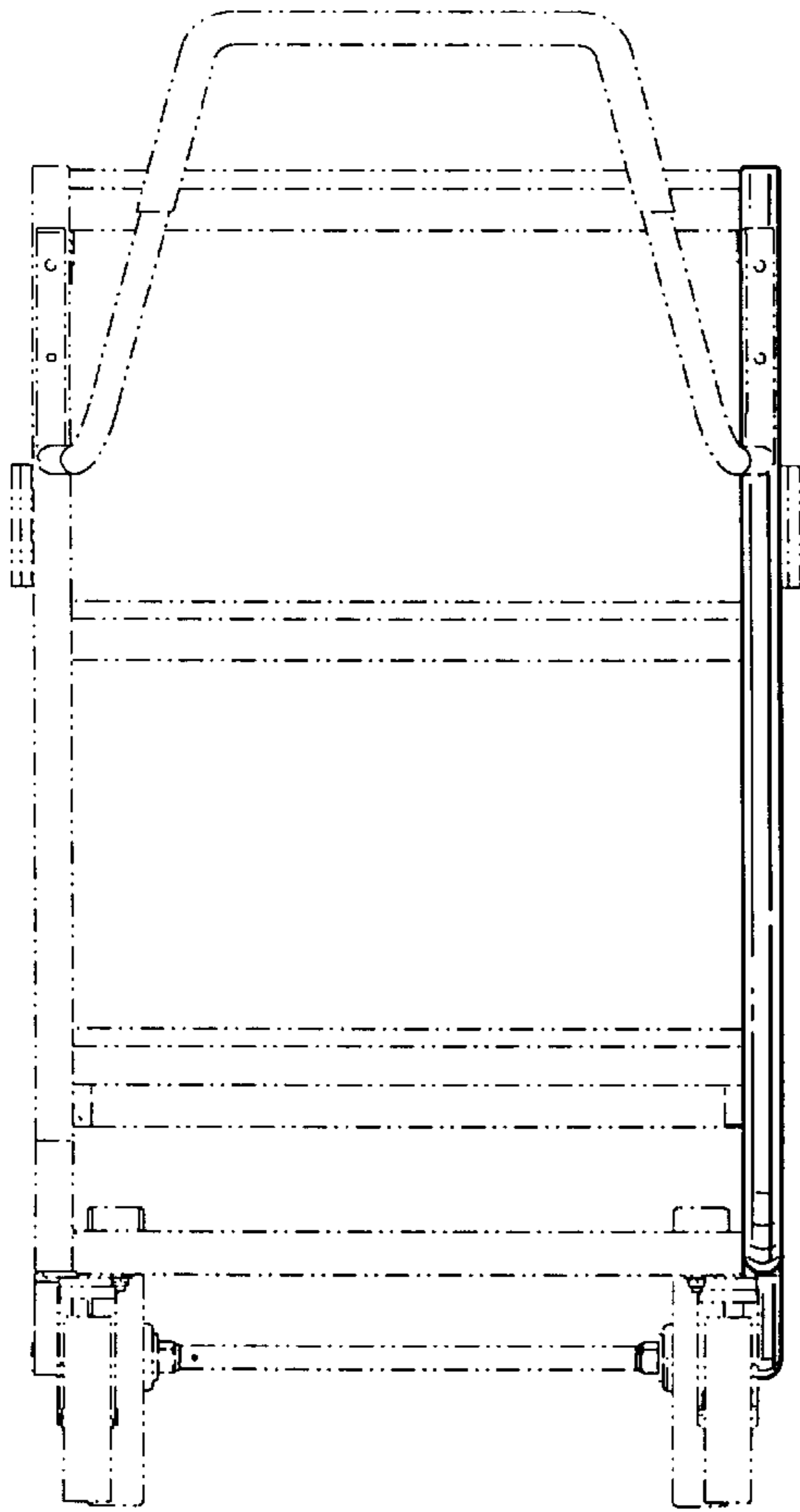


FIG. 11

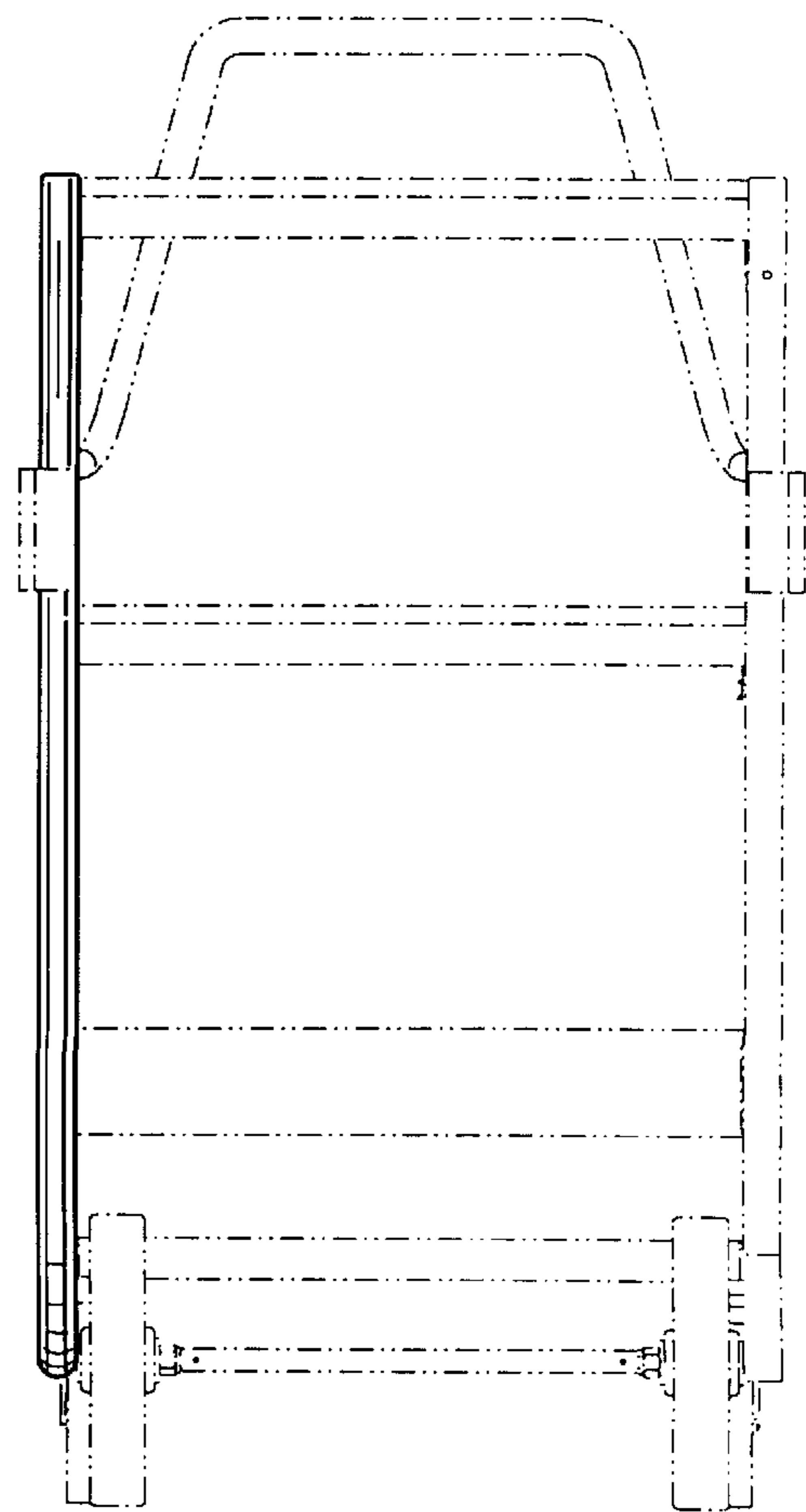


FIG. 12