



US00D423174S

**United States Patent** [19]  
**Burr**

[11] **Patent Number: Des. 423,174**

[45] **Date of Patent: \*\* Apr. 18, 2000**

[54] **HAND TRUCK**

5,947,492 9/1999 Hallberg, Jr. .... 280/47.24

[76] Inventor: **Melvin Dennis Burr**, 5052 N. Adeline Rd., P.O. Box 63, Mt. Morris, Ill. 61054

*Primary Examiner*—Kay H. Chin  
*Attorney, Agent, or Firm*—Keith Frantz

[\*\*] Term: **14 Years**

[57] **CLAIM**

[21] Appl. No.: **29/105,025**

The ornamental design for a hand truck, as shown and described.

[22] Filed: **May 14, 1999**

**DESCRIPTION**

[51] **LOC (6) Cl.** ..... **12-02**

[52] **U.S. Cl.** ..... **D34/24; D34/26**

[58] **Field of Search** ..... D34/12-27; 280/47.17, 280/47.19, 47.24, 47.27, 47.28

FIG. 1 is a front perspective view showing my new design, with conventional wheels being shown in dashed lines.

FIG. 2 is a rear perspective view thereof.

FIGS. 3 and 4 are front and rear views. Respectively, thereof.

FIG. 5 is a top view thereof.

FIG. 6 is a side view thereof, the side not shown being a mirror image thereof; and,

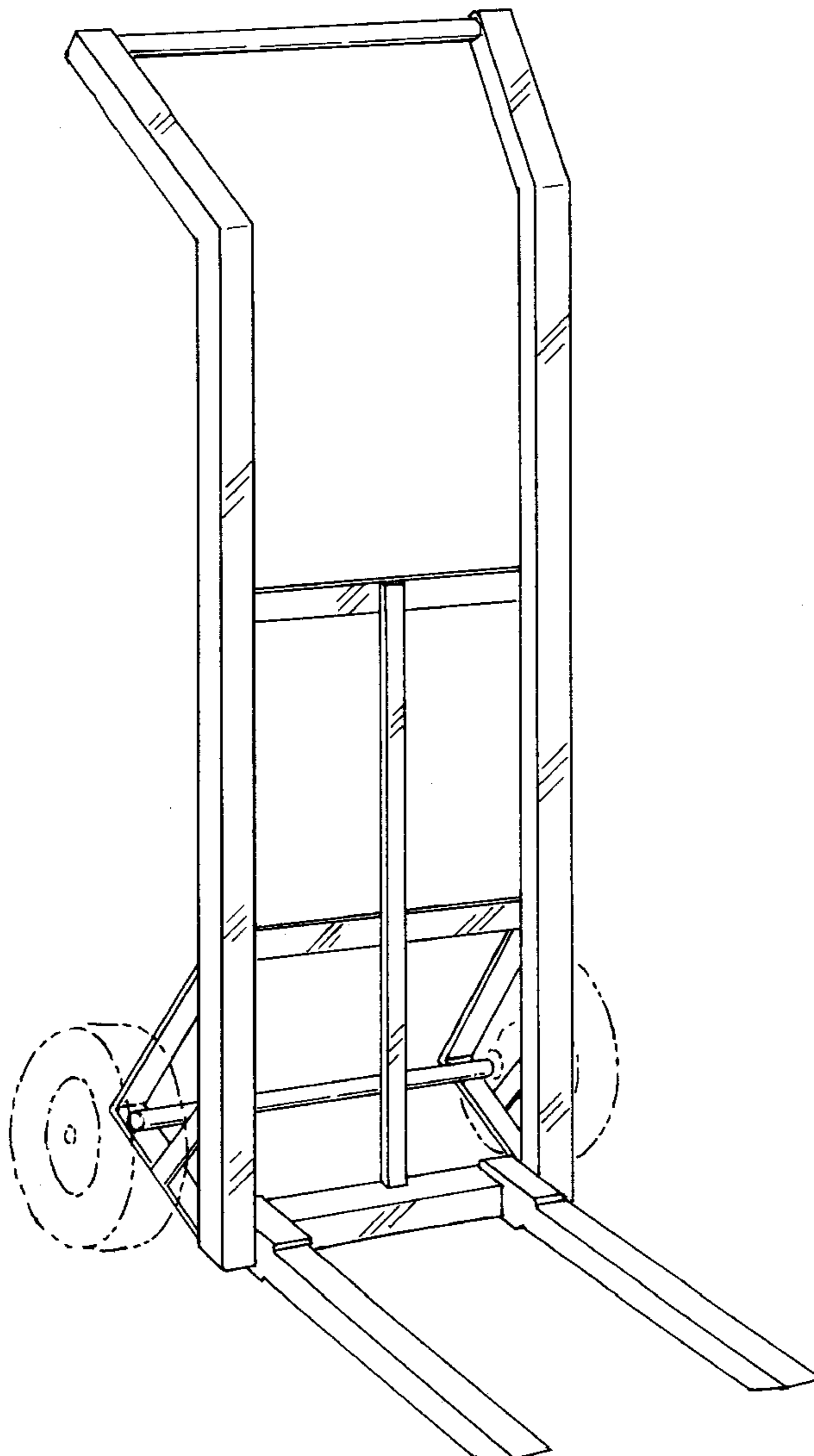
FIG. 7 is a bottom view thereof.

[56] **References Cited**

**U.S. PATENT DOCUMENTS**

3,508,746	4/1970	Lindsay	.....	280/47.24
5,340,135	8/1994	Womberly	.....	280/47.19
5,509,671	4/1996	Campbell	.....	280/47.19
5,913,527	6/1999	Hailston	.....	280/47.28

**1 Claim, 5 Drawing Sheets**



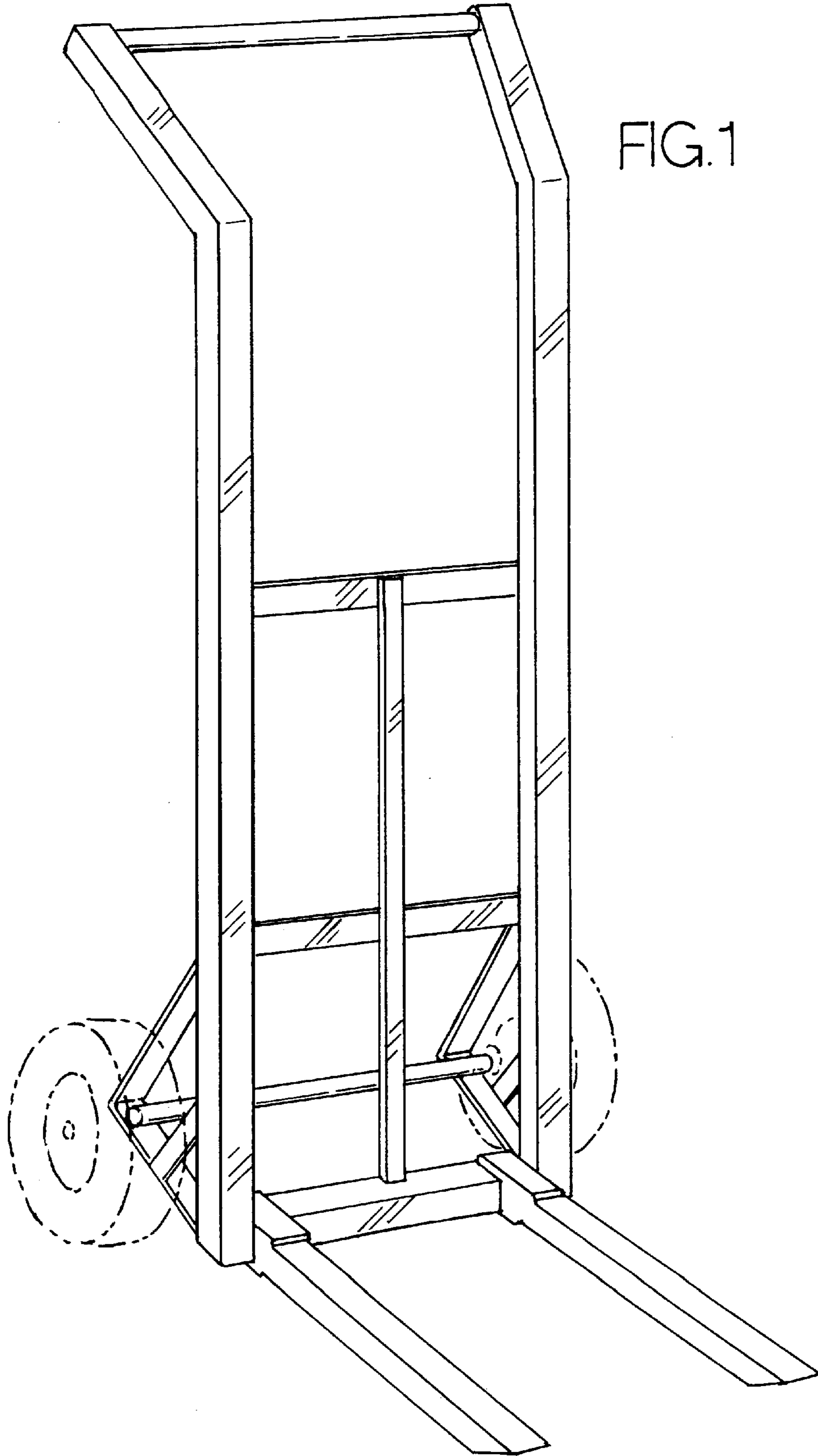


FIG.1

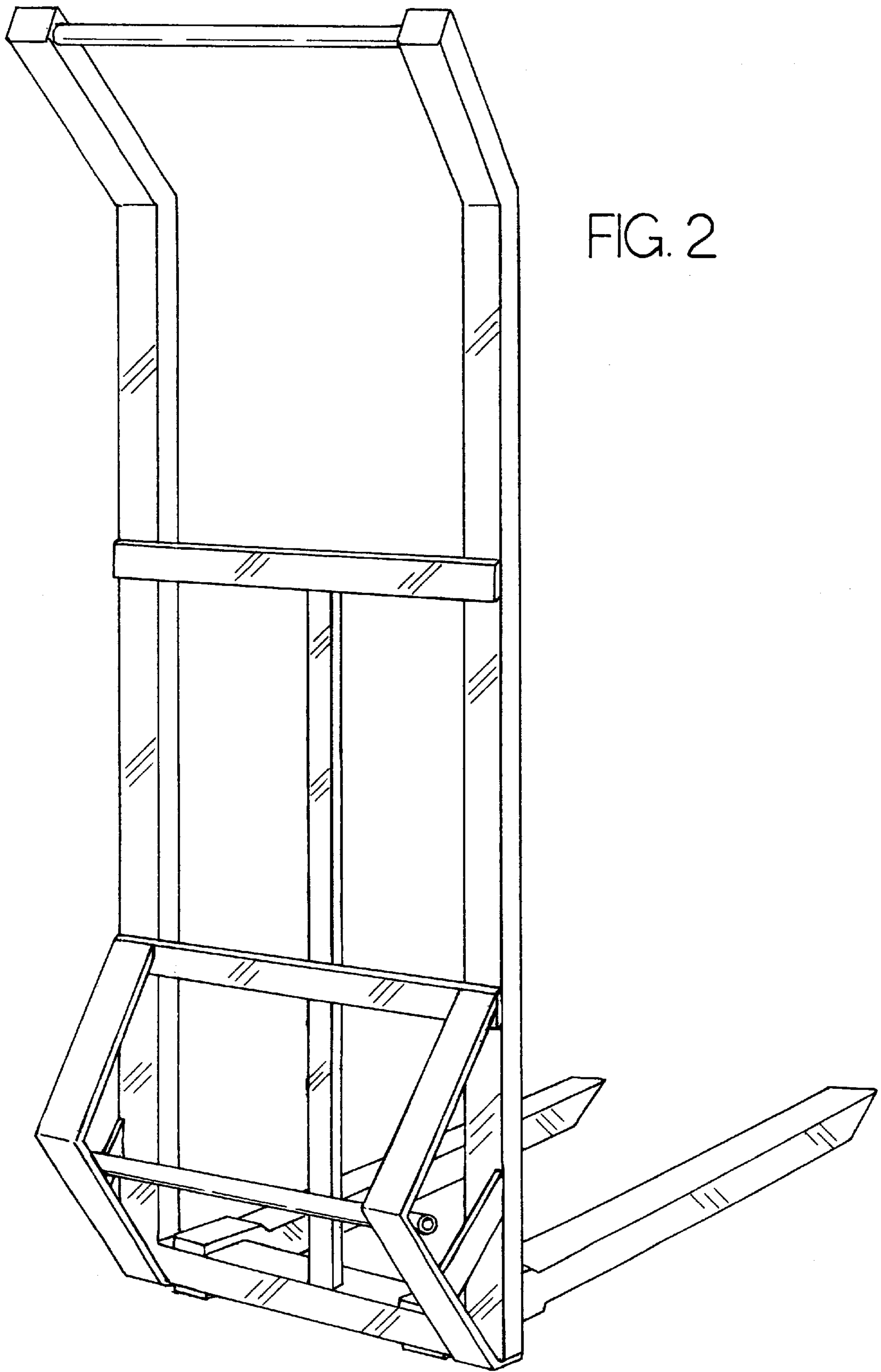


FIG. 2

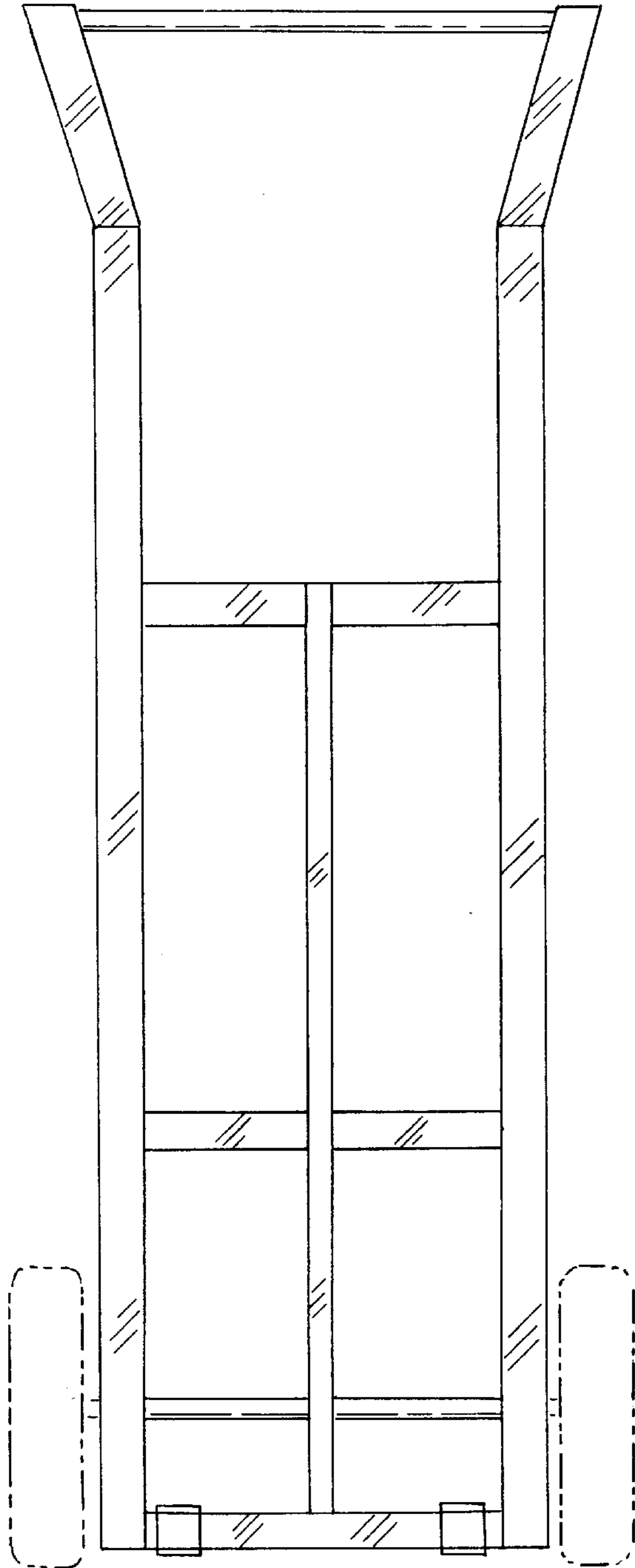


FIG. 3

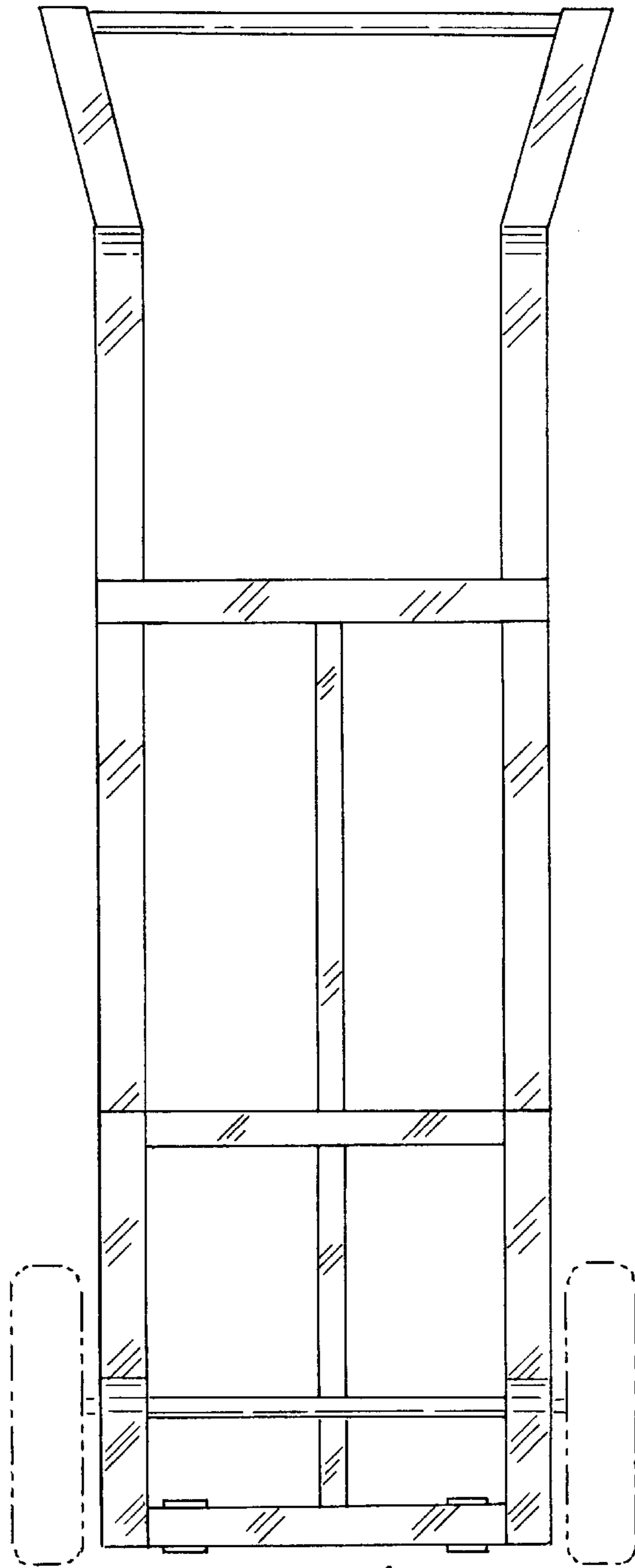


FIG. 4

FIG. 5

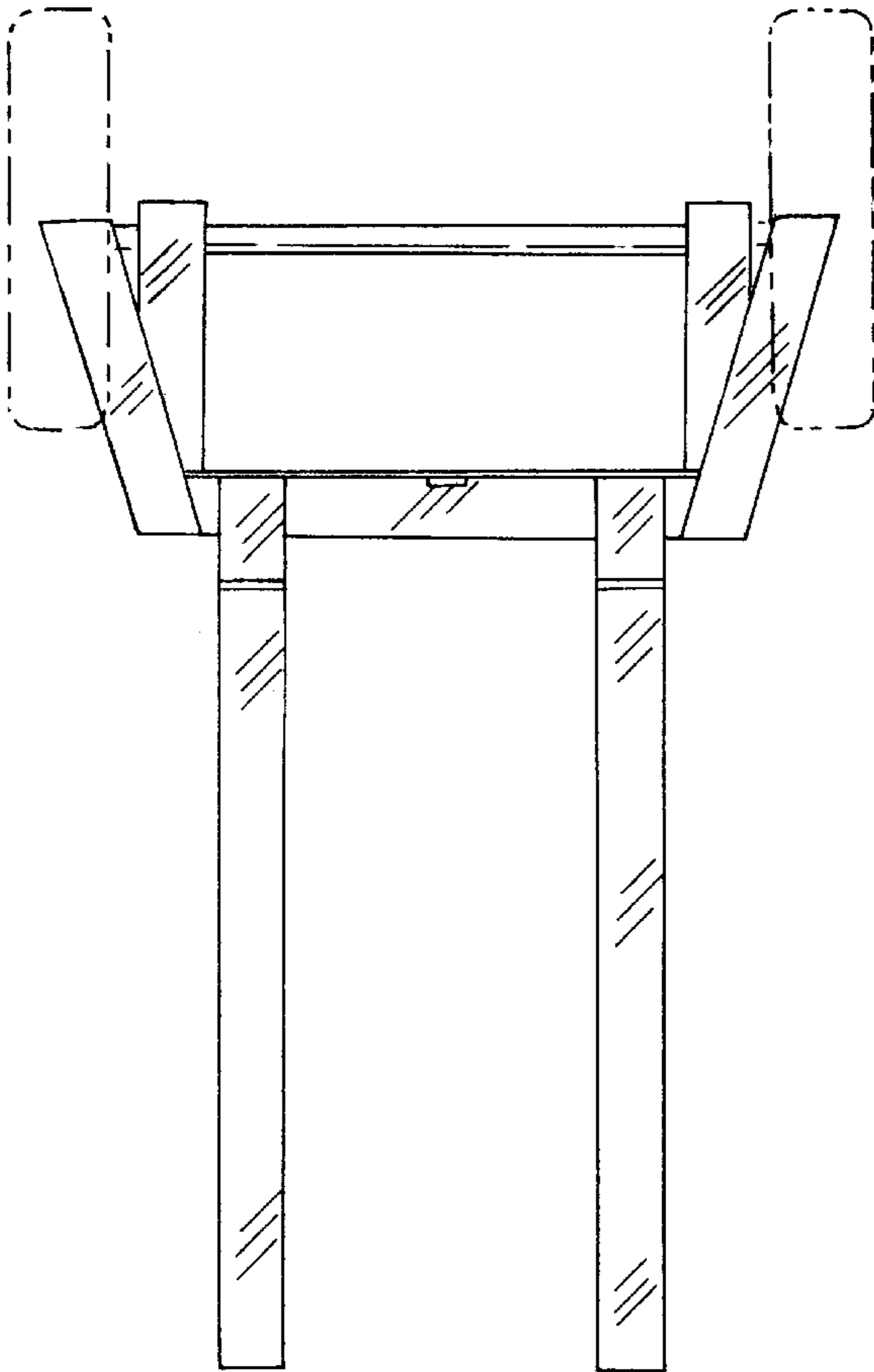


FIG. 6

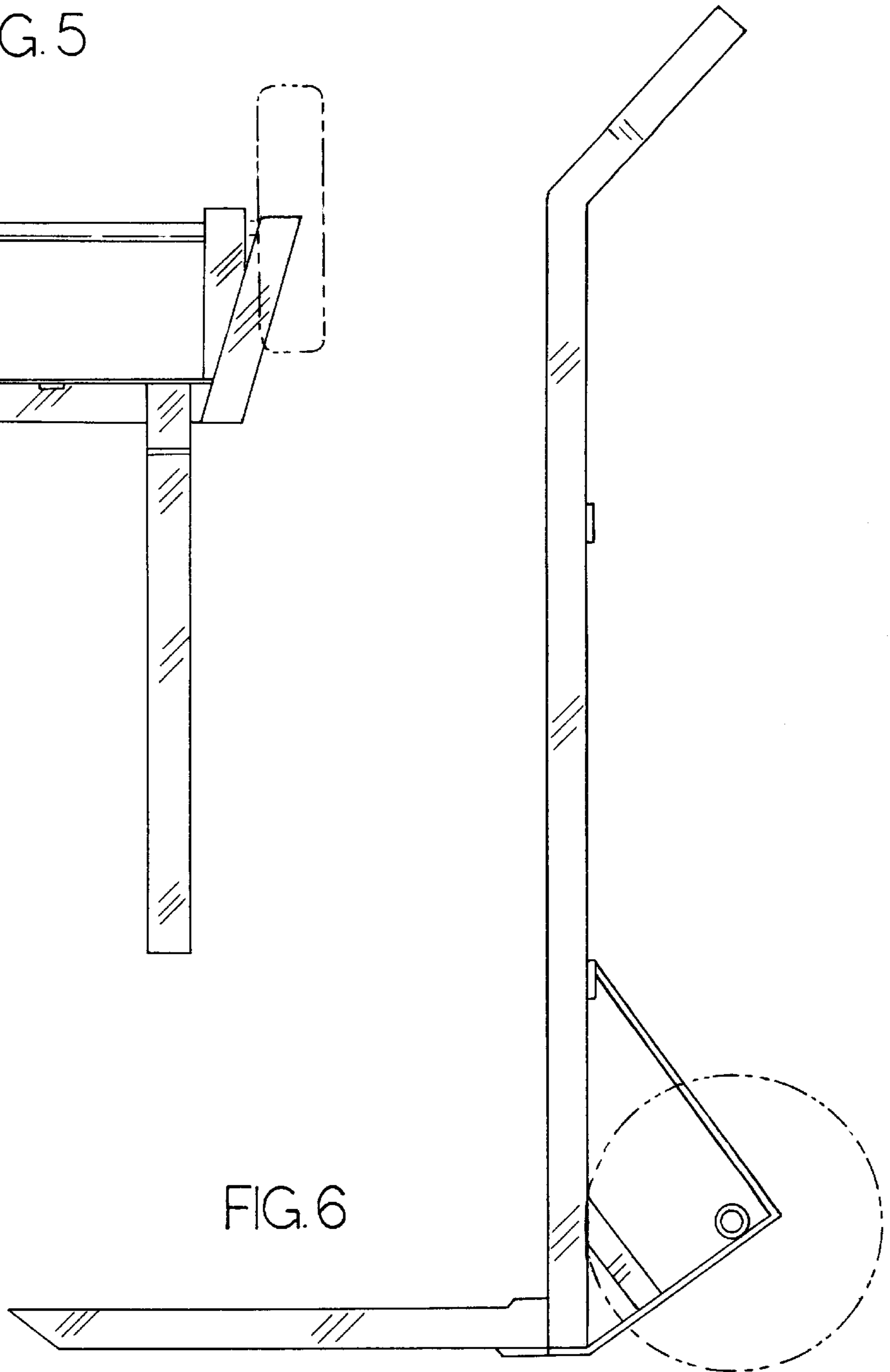


FIG. 7

