



US00D423173S

# United States Patent [19]

[11] **Patent Number: Des. 423,173**

**Horner et al.**

[45] **Date of Patent: \*\* Apr. 18, 2000**

[54] **DOUBLE CYLINDER DOLLY**

D. 201,749	7/1965	Rolland .....	D34/24
5,340,136	8/1994	MacNeil et al. ....	280/472
5,393,080	2/1995	Ross .....	280/47.26
5,458,350	10/1995	Johnson et al. ....	280/47.26

[75] Inventors: **Douglas M. Horner**, Gates Mills;  
**Alan-Michael Girard**, Brunswick, both  
of Ohio

*Primary Examiner*—Kay H. Chin  
*Attorney, Agent, or Firm*—Pearne, Gordon, McCoy &  
Granger LLP

[73] Assignee: **Polymer & Steel Technologies, Inc.**,  
Eastlake, Ohio

[\*\*] Term: **14 Years**

[57] **CLAIM**

[21] Appl. No.: **29/102,755**

The ornamental design for a double cylinder dolly, as shown  
and described.

[22] Filed: **Mar. 31, 1999**

**DESCRIPTION**

[51] **LOC (6) Cl.** ..... **12-02**

FIG. 1 is a front perspective view of a double cylinder dolly  
showing our new design, the broken lines are for illustrative  
purposes only and form no part of the claimed design;  
FIG. 2 is a rear perspective view thereof;  
FIG. 3 is a front elevational view thereof;  
FIG. 4 is a side elevational view thereof;  
FIG. 5 is a top plan view thereof;  
FIG. 6 is a rear elevational view thereof; and,  
FIG. 7 is a bottom plan view thereof.

[52] **U.S. Cl.** ..... **D34/24; D34/26**

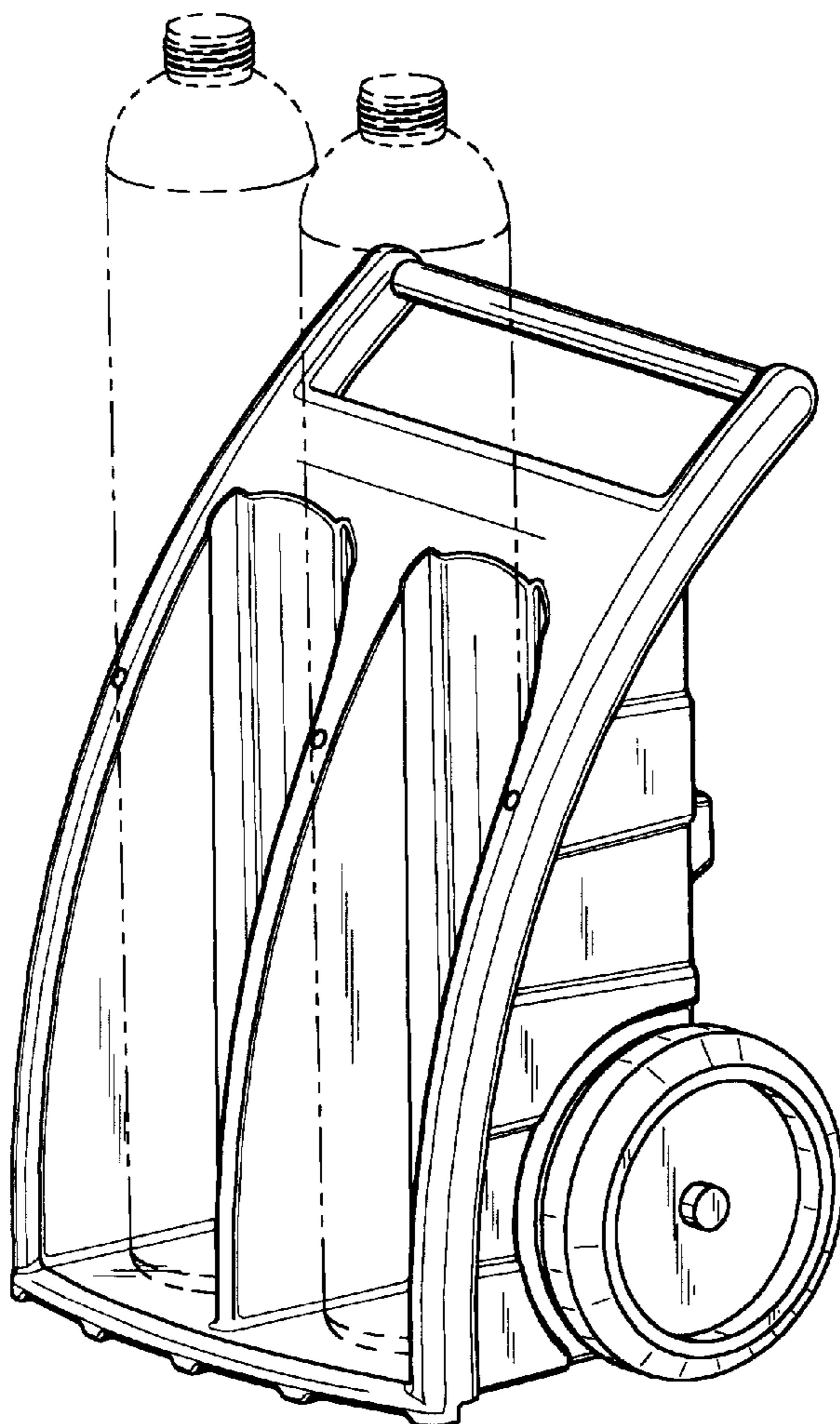
[58] **Field of Search** ..... D34/12, 1, 27;  
280/47.19, 47.24, 47.26, 79.5, 651, 652;  
248/129

[56] **References Cited**

**U.S. PATENT DOCUMENTS**

D. 169,140 3/1953 Hedstrom et al. .... D34/24

**1 Claim, 3 Drawing Sheets**



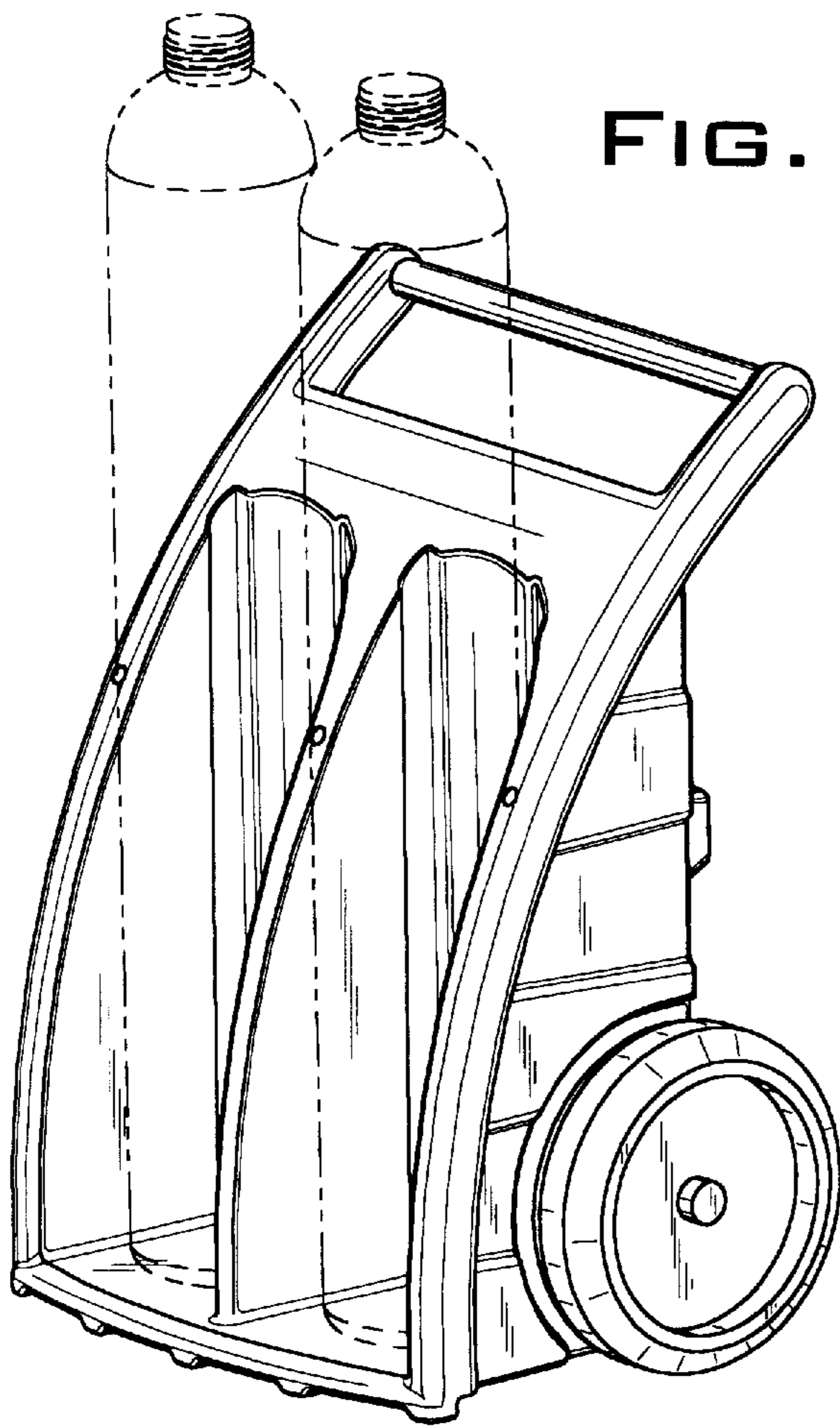


FIG. 1

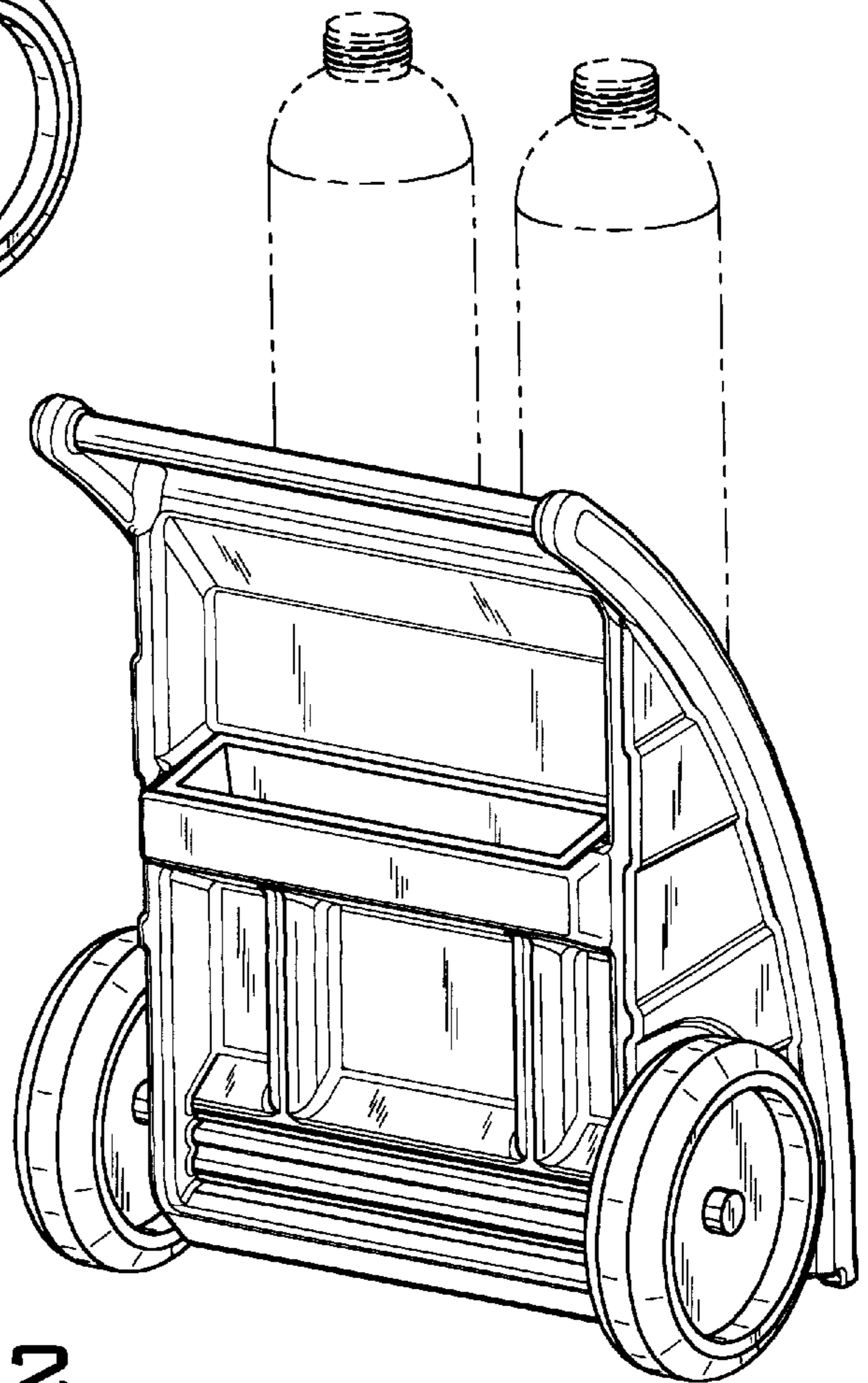


FIG. 2

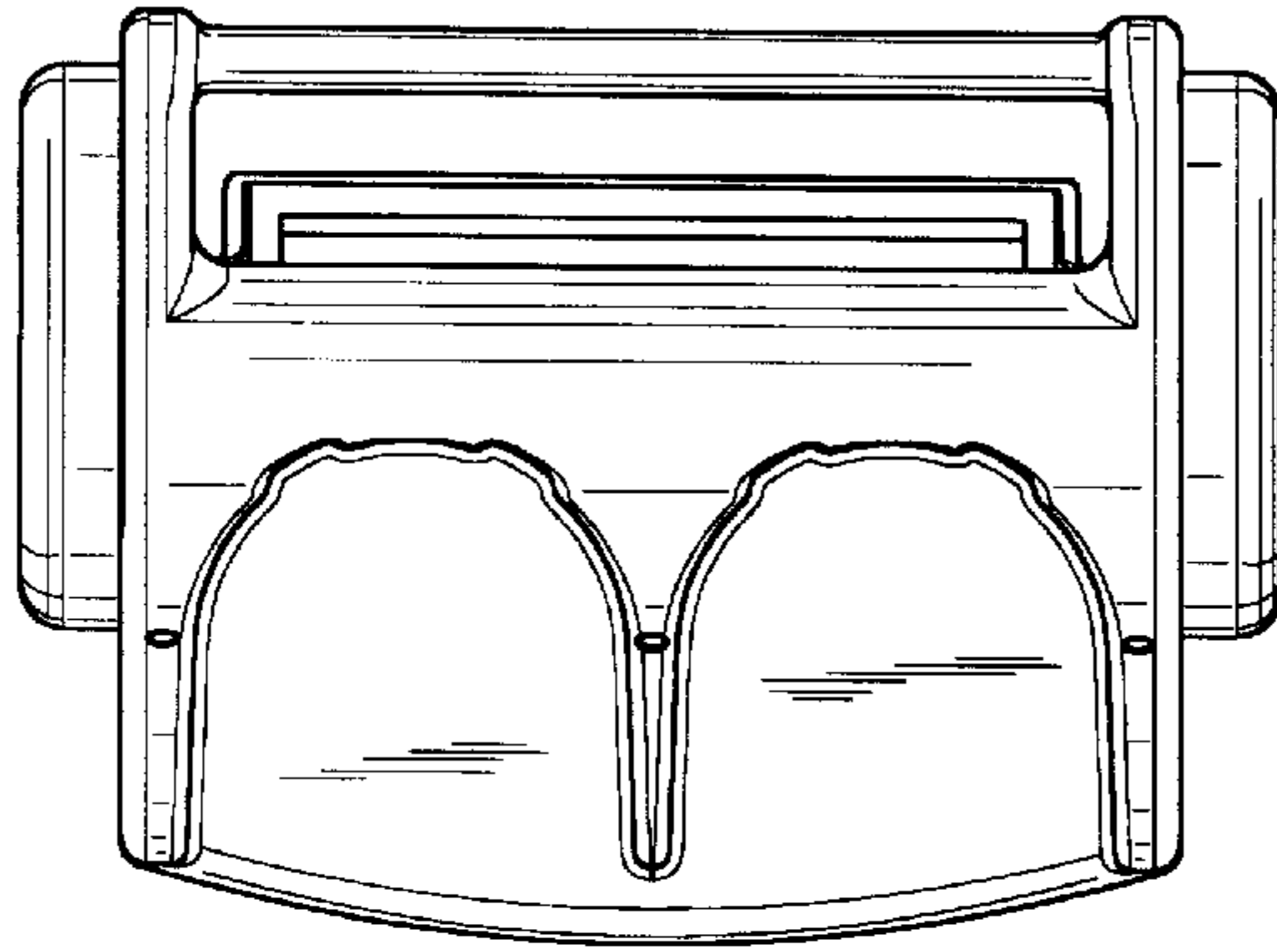


FIG. 5

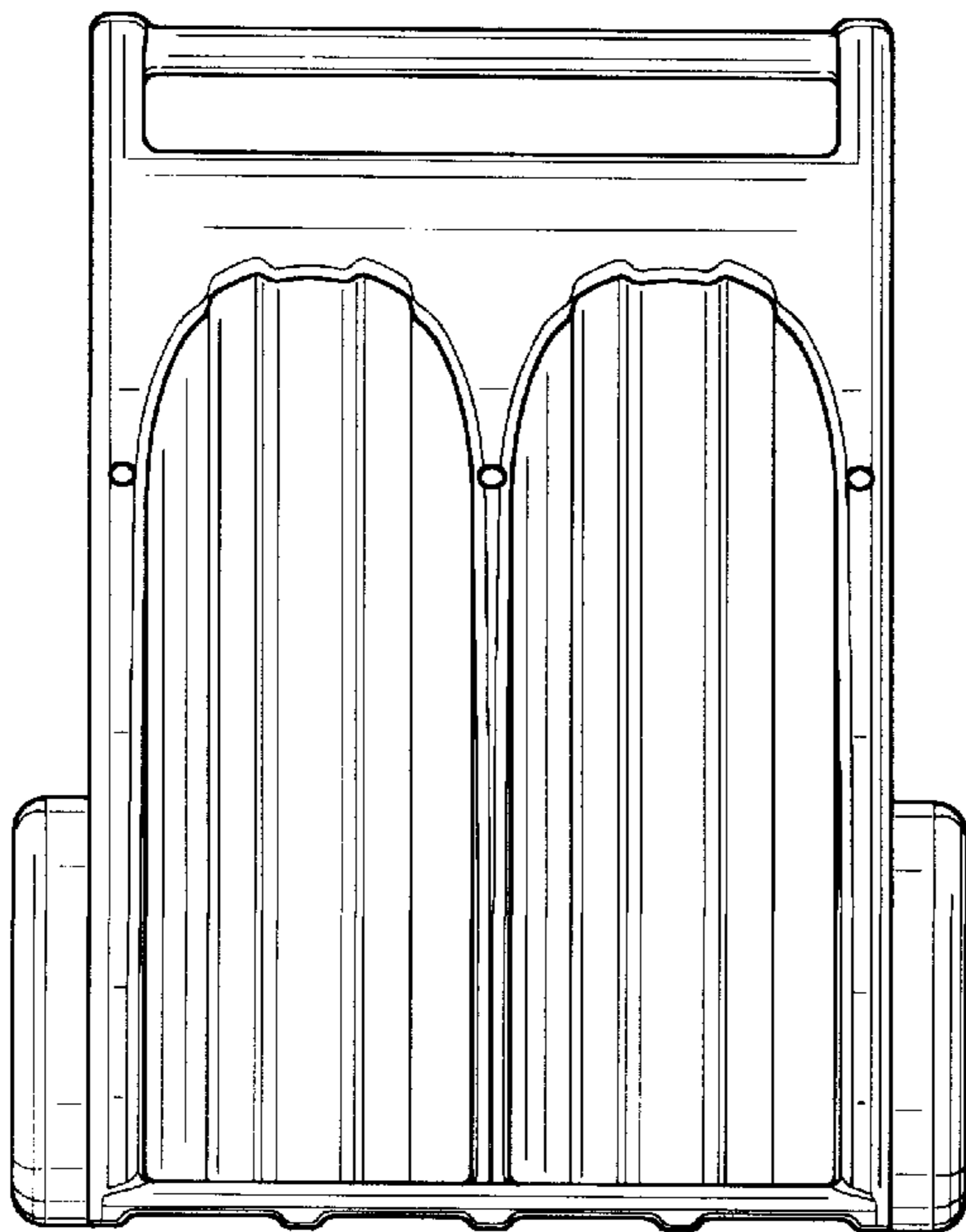


FIG. 3

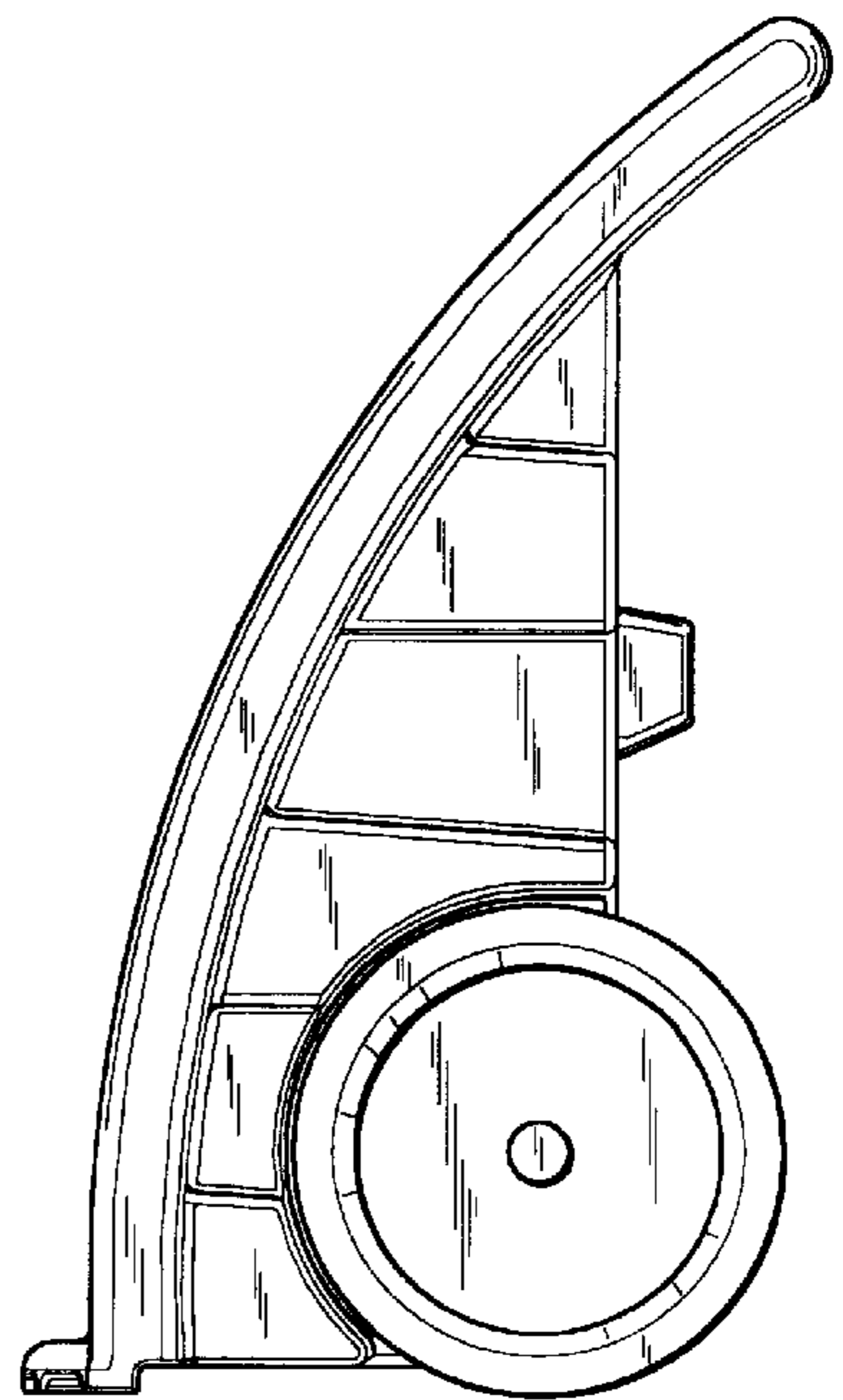


FIG. 4

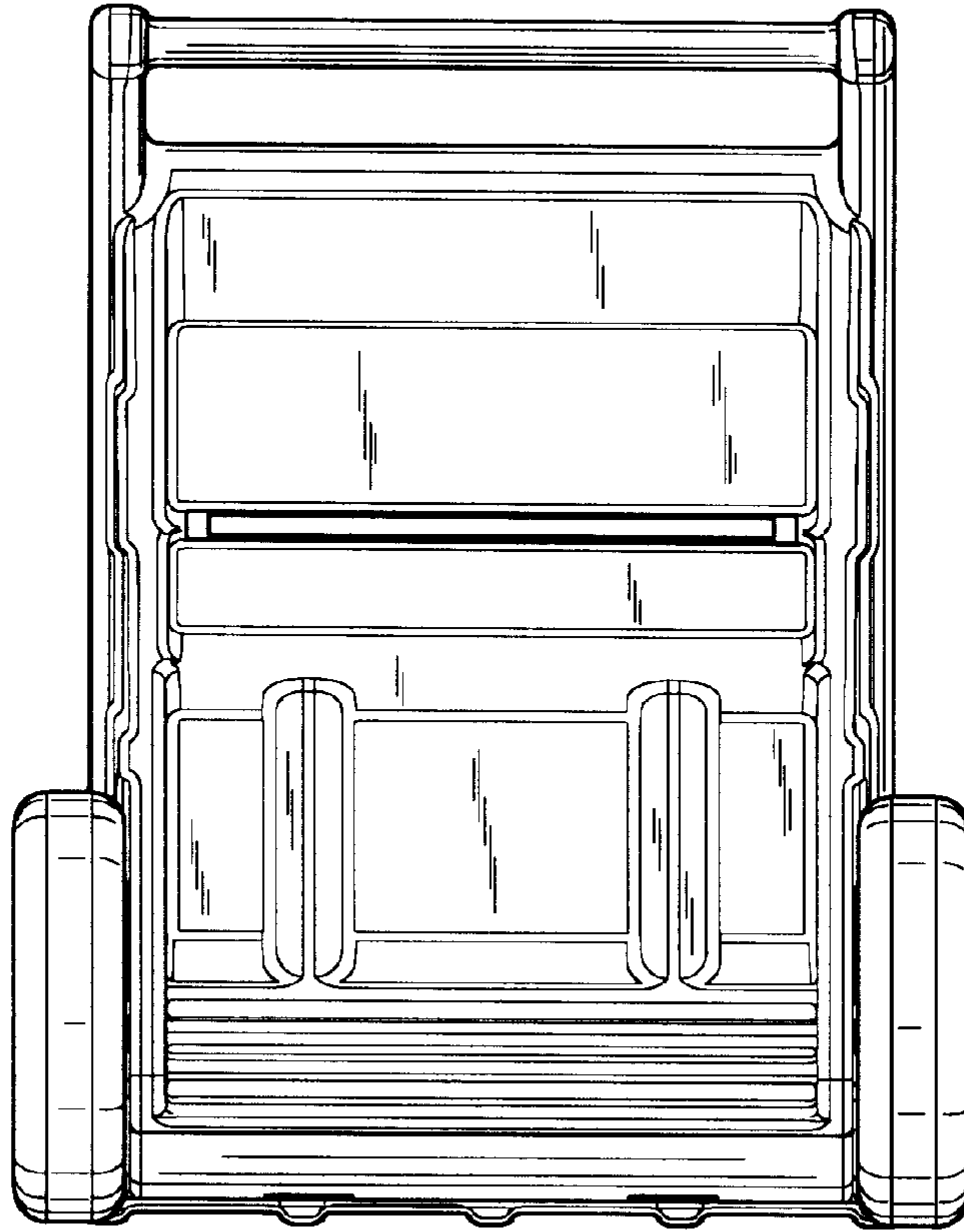


FIG. 6

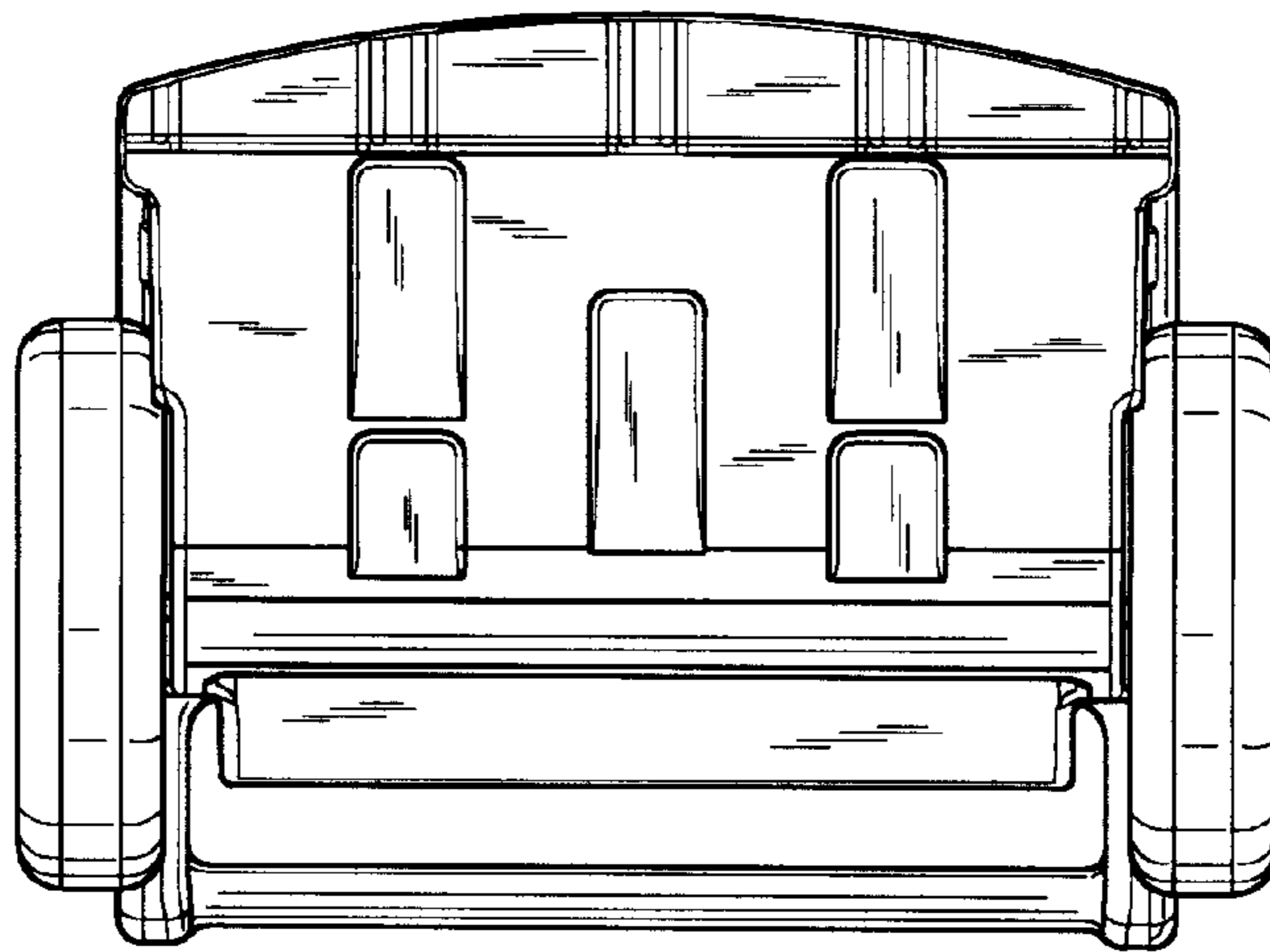


FIG. 7