



US00D423172S

United States Patent [19]
Funk

[11] **Patent Number: Des. 423,172**

[45] **Date of Patent: ** Apr. 18, 2000**

[54] **PORTABLE WORKSHOP CART**

[76] Inventor: **James Funk**, 7736 Muirfield, Las Vegas, Nev. 89117

[**] Term: **14 Years**

[21] Appl. No.: **29/099,370**

[22] Filed: **Jan. 20, 1999**

[51] **LOC (6) Cl.** **12-02**

[52] **U.S. Cl.** **D34/20; D34/19**

[58] **Field of Search** D34/12, 1, 28; 312/250; 280/47.34, 47.35, 79.11; D6/430, 436, 445, 446, 447, 449, 462, 474; D15/81

[56] **References Cited**

U.S. PATENT DOCUMENTS

D. 365,583	12/1995	Viken	D15/151
D. 370,329	5/1996	Lima	D34/20
D. 408,954	4/1999	Geier et al.	D34/19
5,509,672	4/1996	Offerson	280/47.35

Primary Examiner—Kay H. Chin
Attorney, Agent, or Firm—Goldstein & Canino

[57] **CLAIM**

The ornamental design for a portable workshop cart, as shown and described.

DESCRIPTION

FIG. 1 is a diagrammatic perspective view of a front side of a portable workshop cart in full lines with tools in broken lines representing environmental association matter being for illustrative purposes only and forming no part of the claimed invention.

FIG. 2 is a diagrammatic perspective view of a rear side of a portable workshop cart in full lines with tools in broken lines representing environmental association matter being for illustrative purposes only and forming no part of the claimed invention.

FIG. 3 is a front elevational view thereof.

FIG. 4 is a rear elevational view thereof.

FIG. 5 is a top plan view thereof.

FIG. 6 is a bottom plan view thereof.

FIG. 7 is a right side elevational view thereof; and,

FIG. 8 is a left side elevational view thereof.

1 Claim, 4 Drawing Sheets

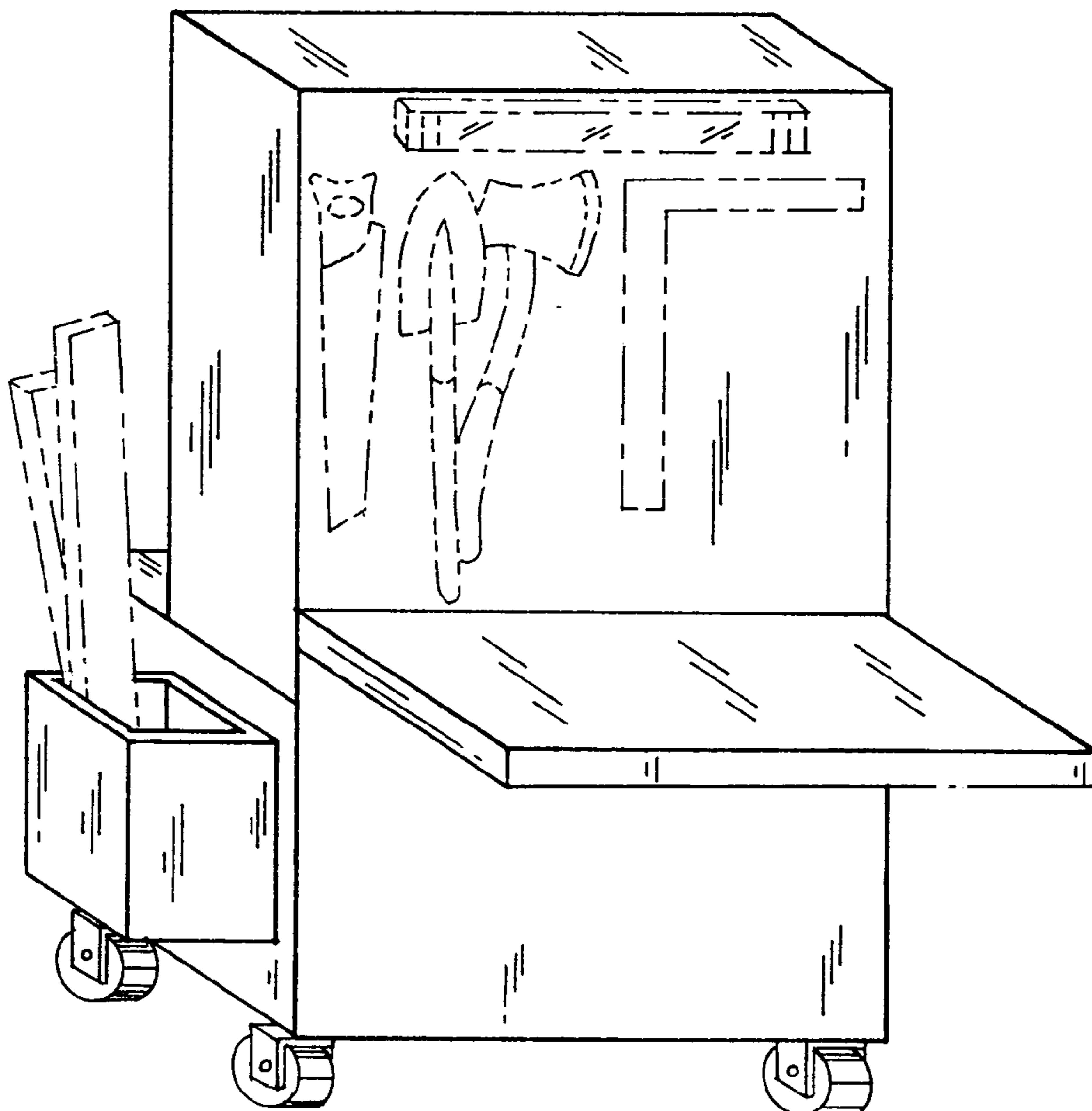


FIG. 1

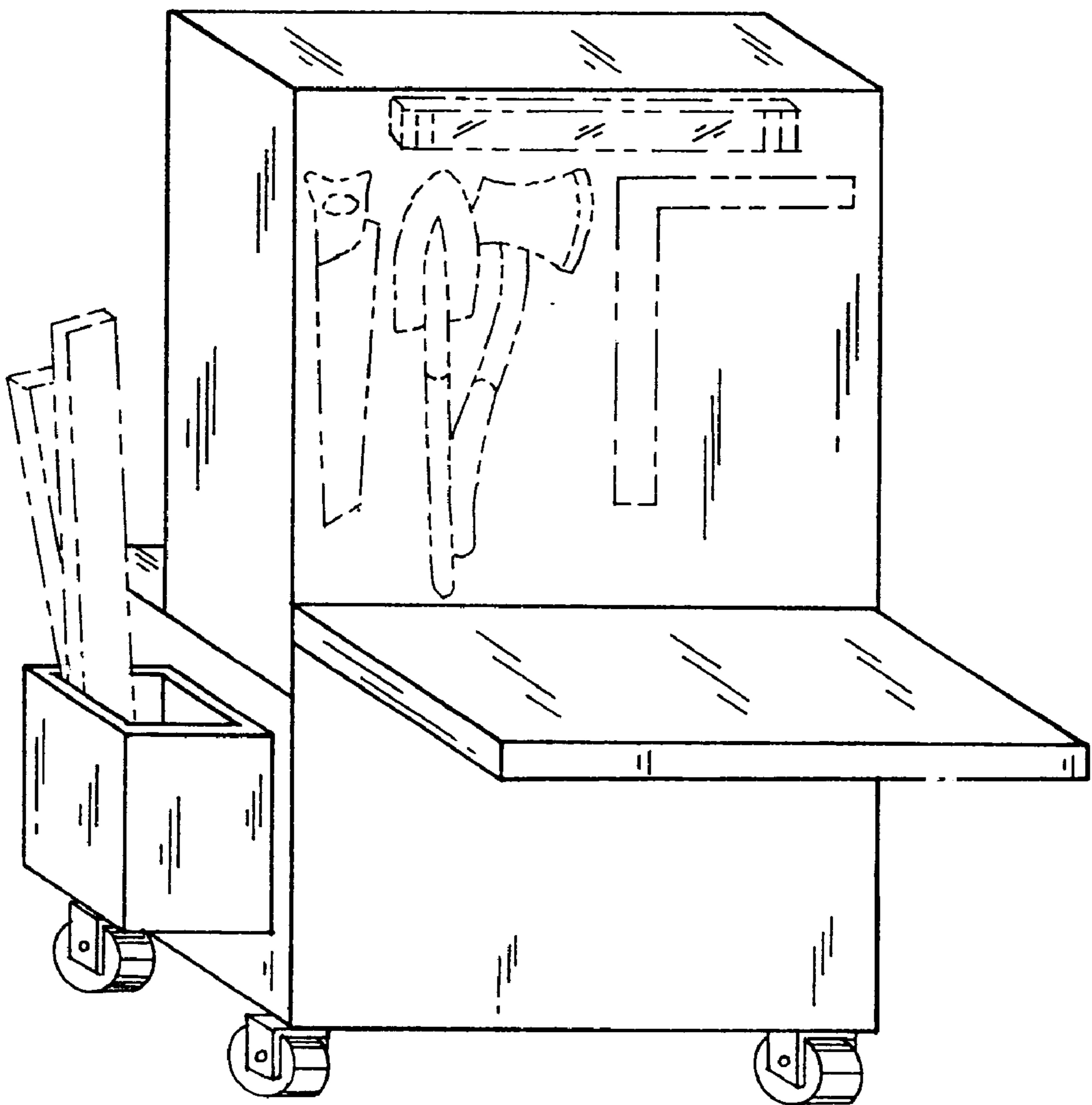


FIG. 2

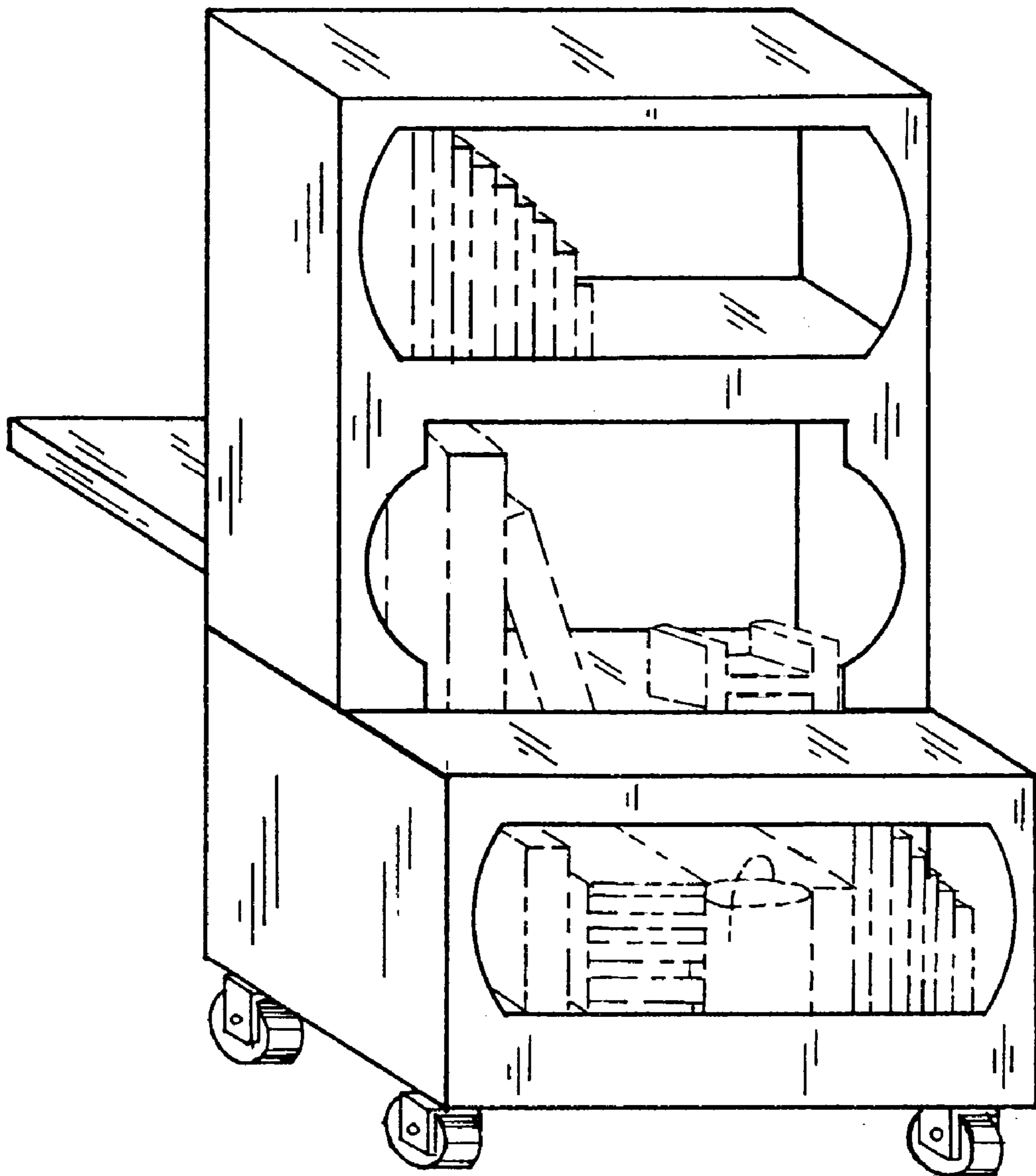


FIG. 3

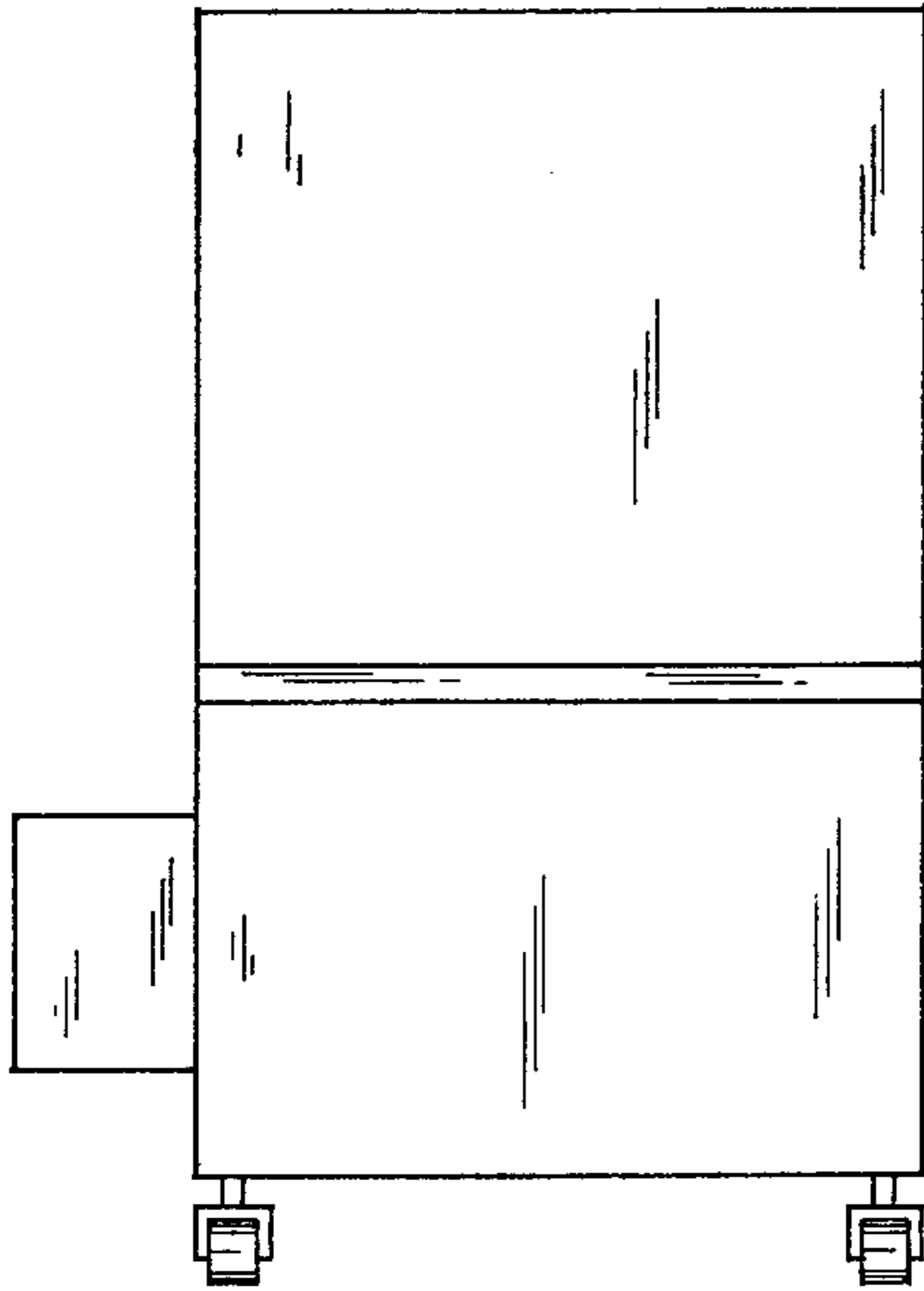


FIG. 4

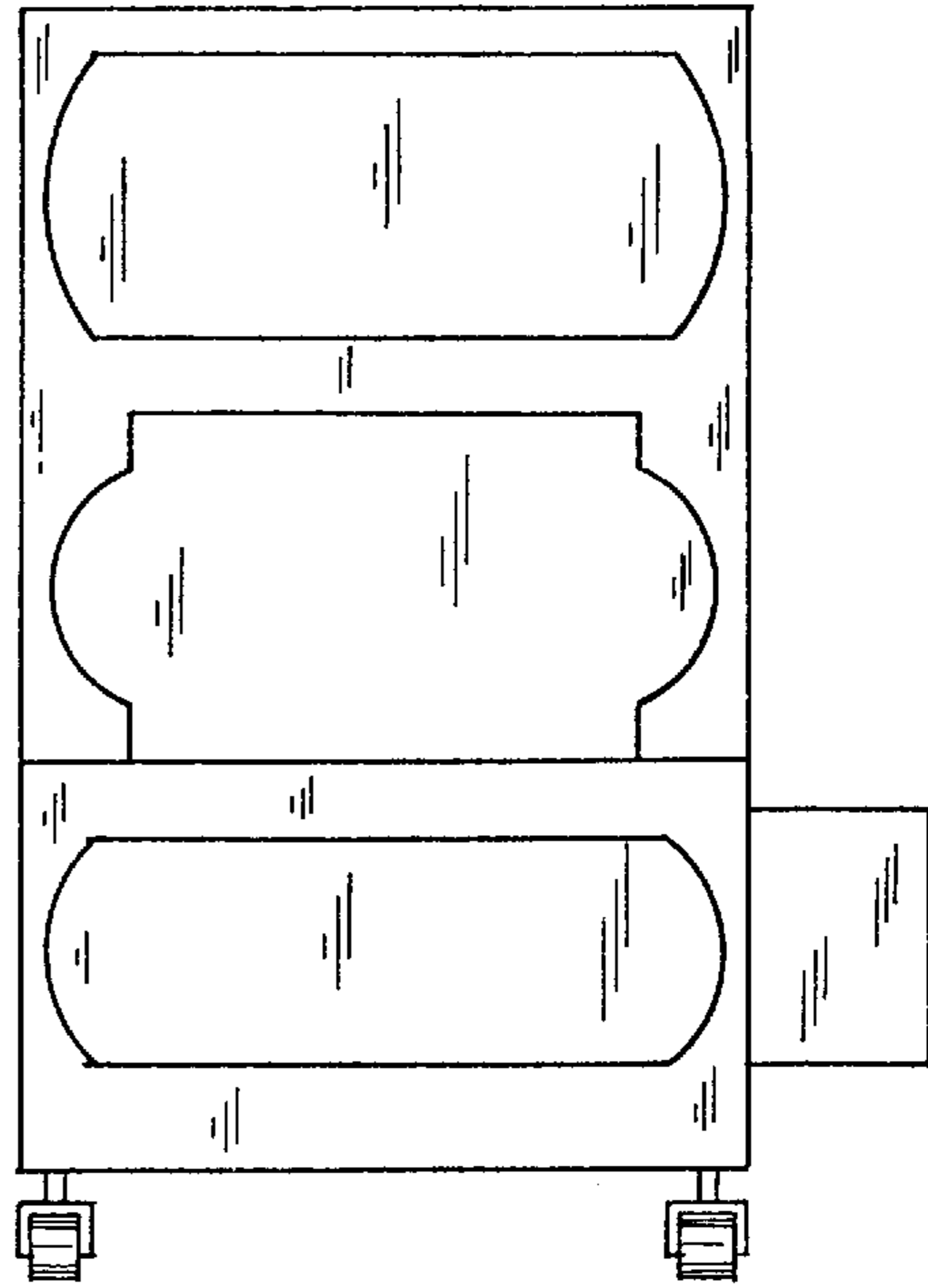


FIG. 5

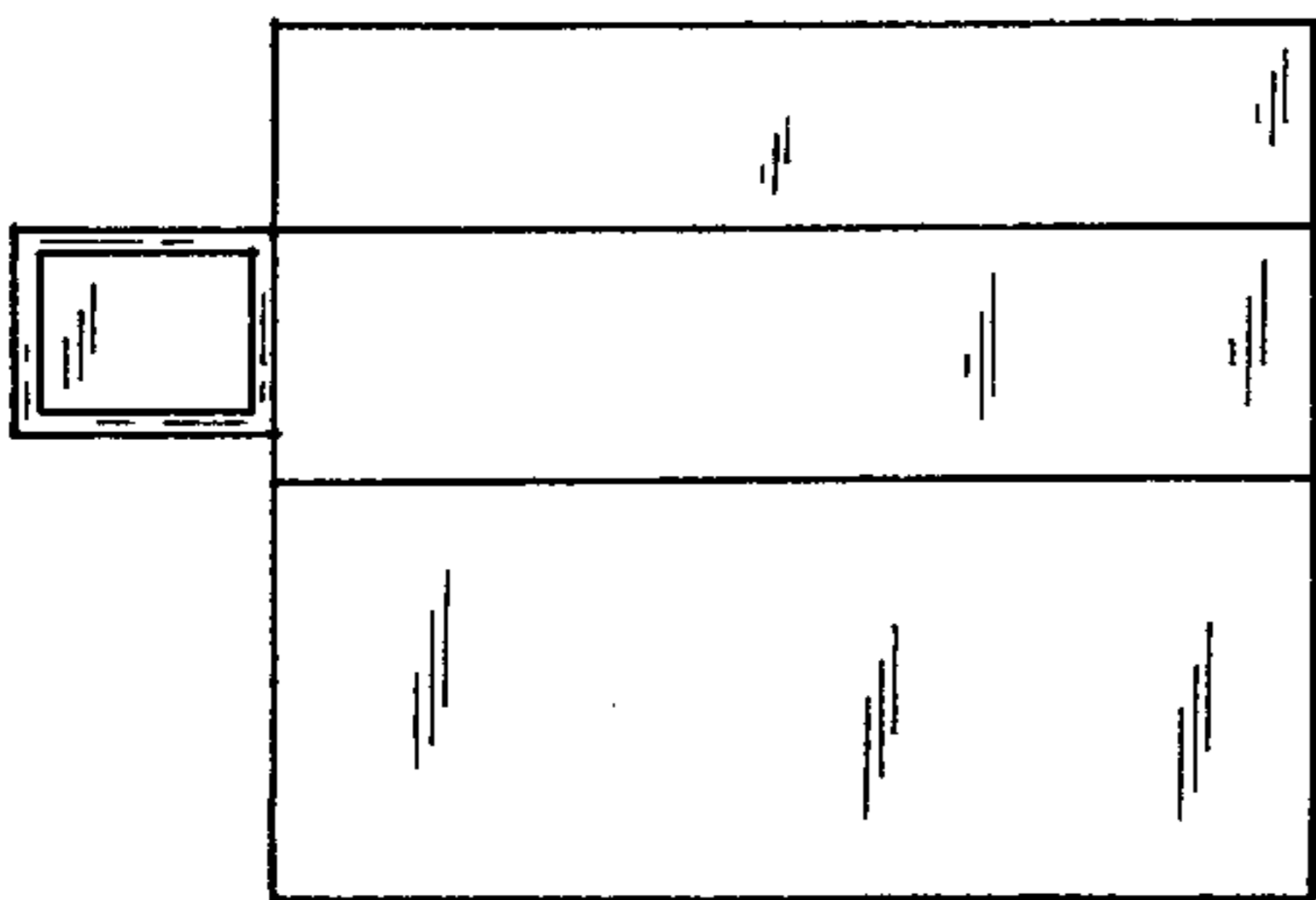


FIG. 6

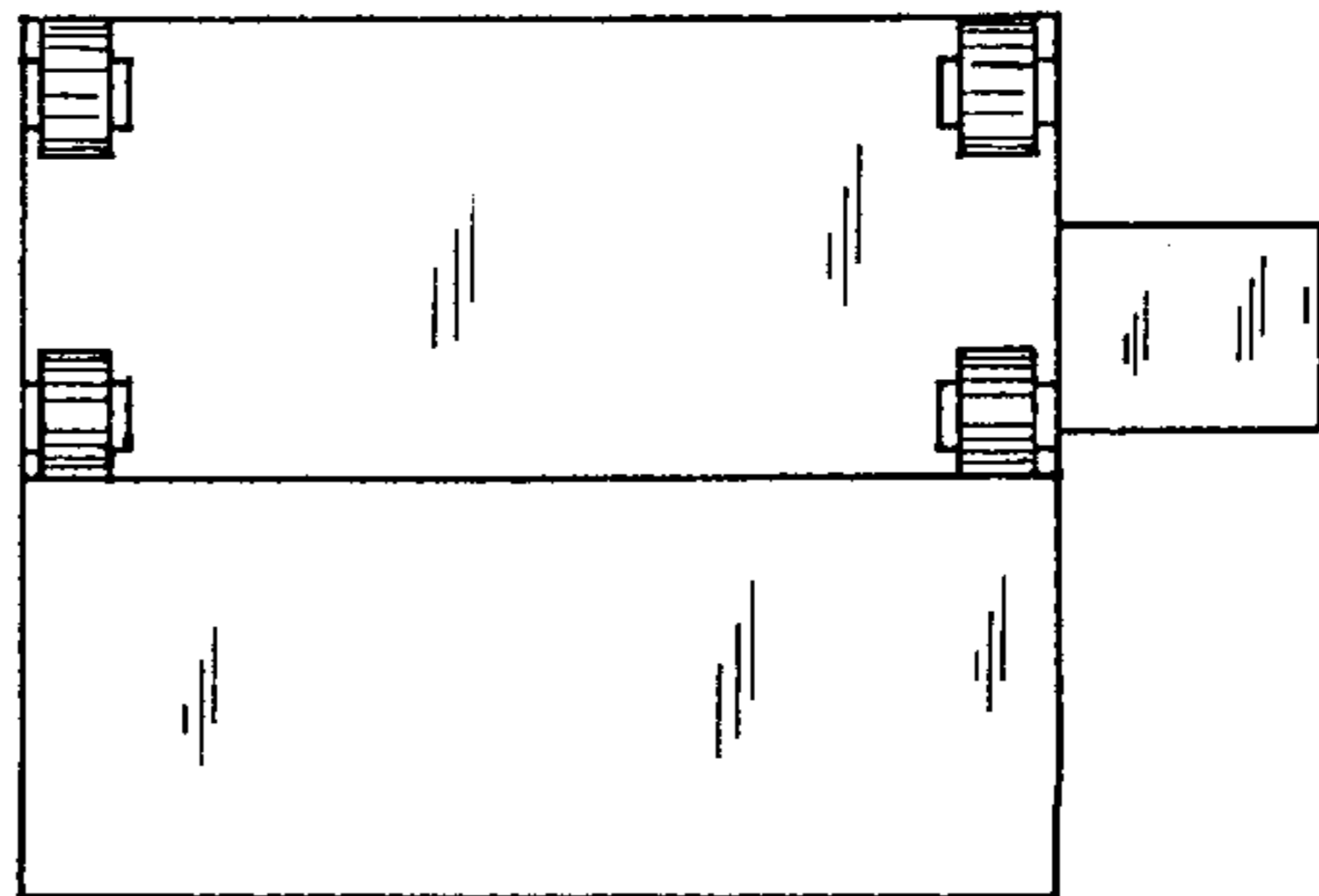


FIG. 7

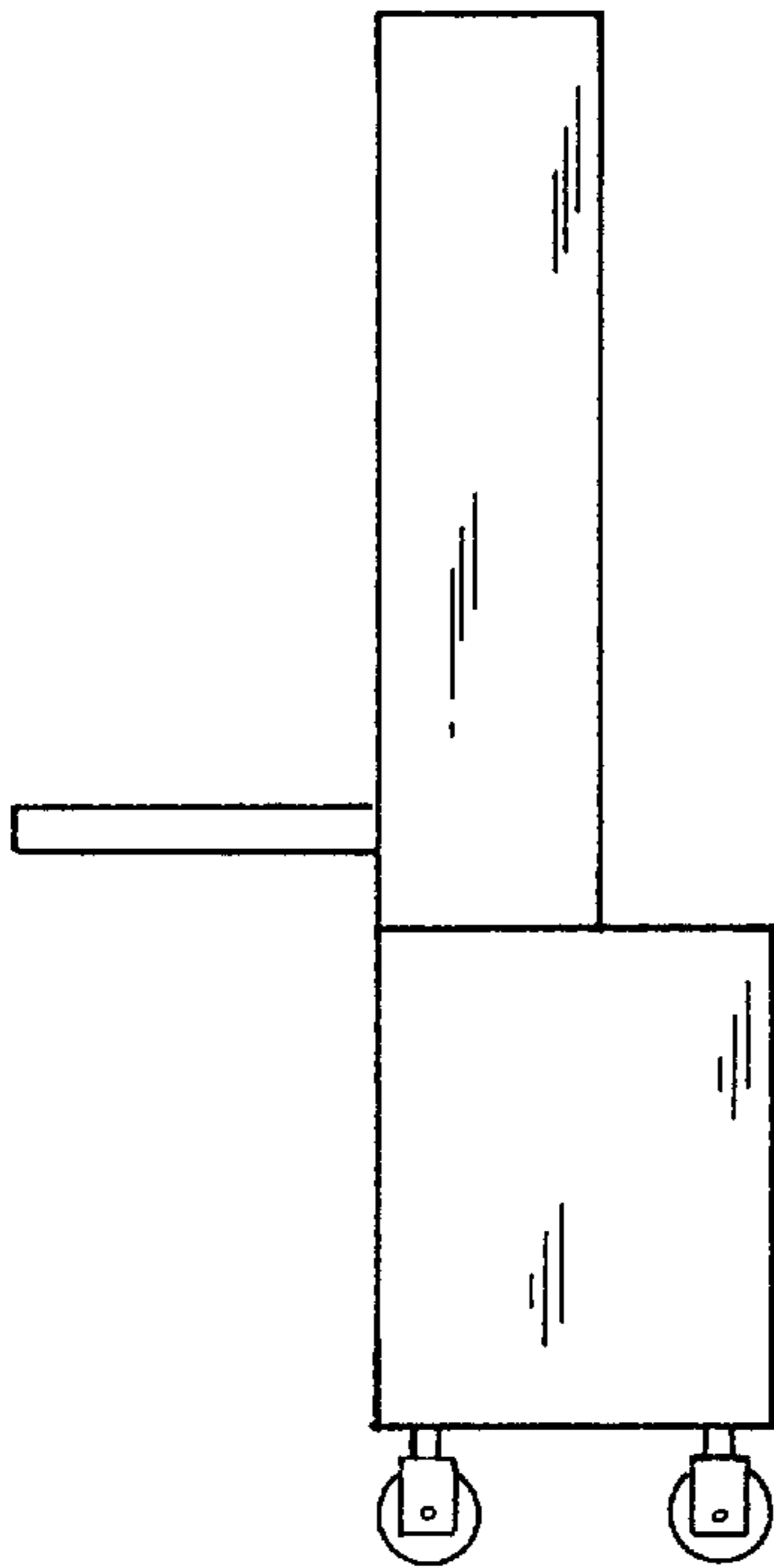


FIG. 8

