



US00D423171S

United States Patent [19]

Alcala et al.

[11] Patent Number: **Des. 423,171**

[45] Date of Patent: **** Apr. 18, 2000**

[54] **ROLLING BIN**

D. 380,639 7/1997 Tisbo D6/475

[75] Inventors: **Jose Alcala; Sofia Dumery; Sun Chul Kim**, all of Brooklyn, N.Y.; **Kimberly Leonard**, Wash., D.C.; **Andrew Schloss**, New York, N.Y.

Primary Examiner—Kay H. Chin
Attorney, Agent, or Firm—Louis T. Isaf; Womble Carlyle Sandridge & Rice

[73] Assignee: **ABC ESchool Supply, Inc.**, Duluth, Ga.

[57] **CLAIM**

The ornamental design for a “rolling bin”, as shown and described.

[**] Term: **14 Years**

DESCRIPTION

[21] Appl. No.: **29/100,176**

FIG. 1 is a perspective view of the rolling bin illustrating the clear front panel under the recessed handle;

[22] Filed: **Feb. 4, 1999**

FIG. 2 is a front view thereof;

[51] **LOC (6) Cl.** **12-02**

[52] **U.S. Cl.** **D34/19; D6/475**

FIG. 3 is a right side view thereof;

[58] **Field of Search** D34/12.1, 27;

D6/475, 495, 491; D25/113; D21/501; 248/311.2; D9/530

FIG. 4 is a rear side view thereof;

FIG. 5 is a left side view thereof;

FIG. 6 is a top view thereof; and,

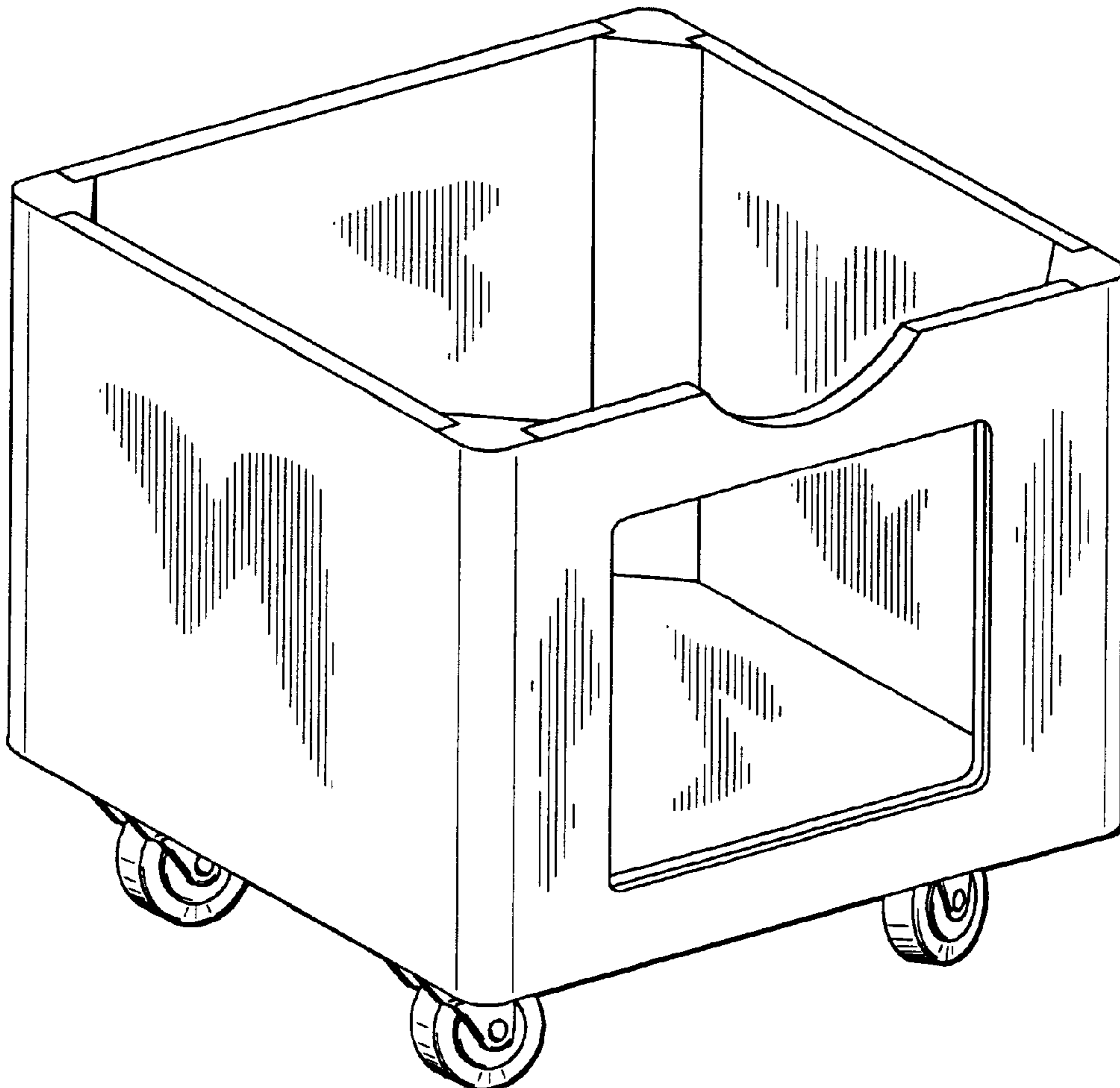
FIG. 7 is a bottom view thereof.

[56] **References Cited**

U.S. PATENT DOCUMENTS

D. 334,815 4/1993 Bunger D25/113

1 Claim, 2 Drawing Sheets



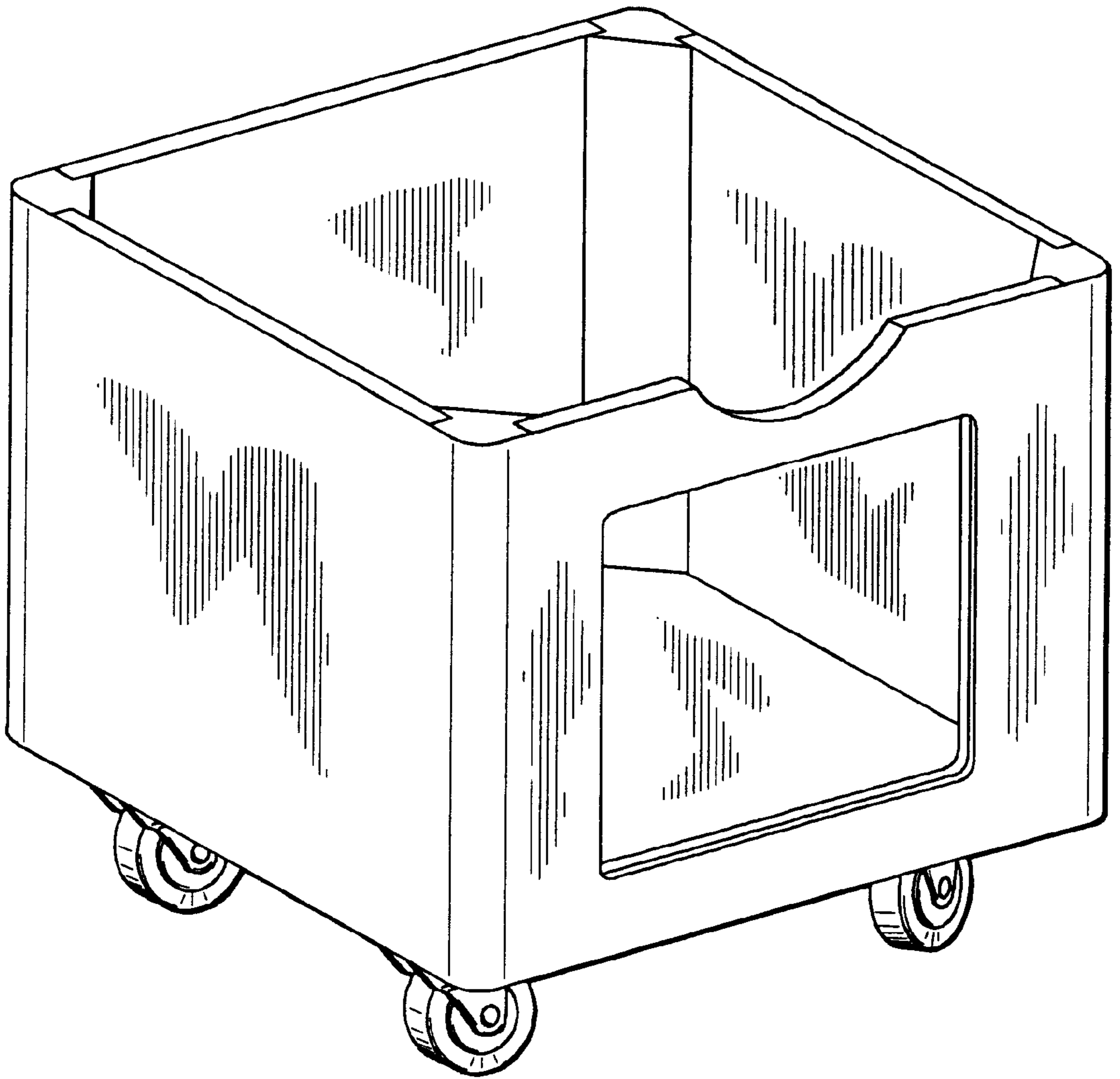


FIG. 1

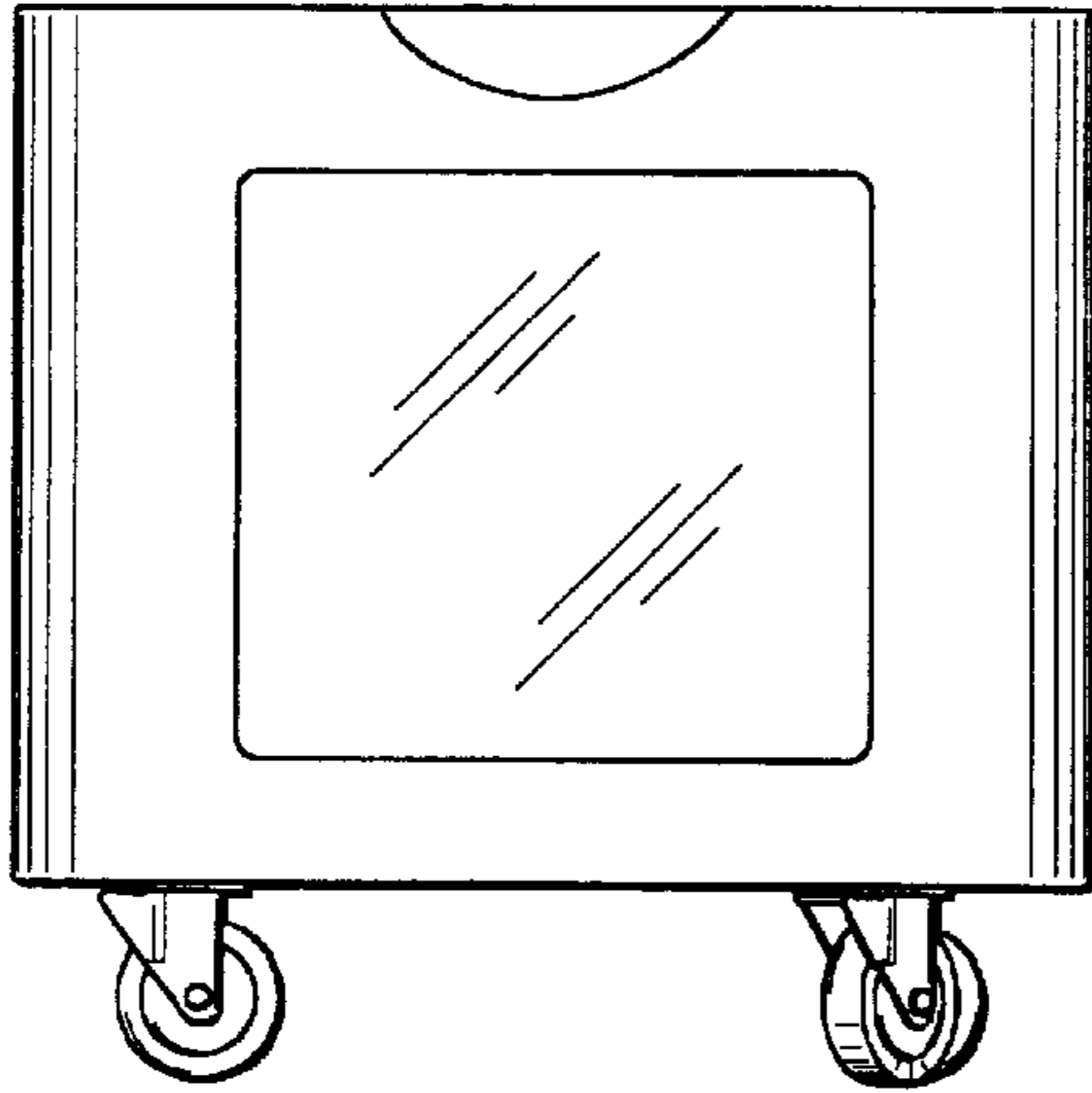


FIG. 2

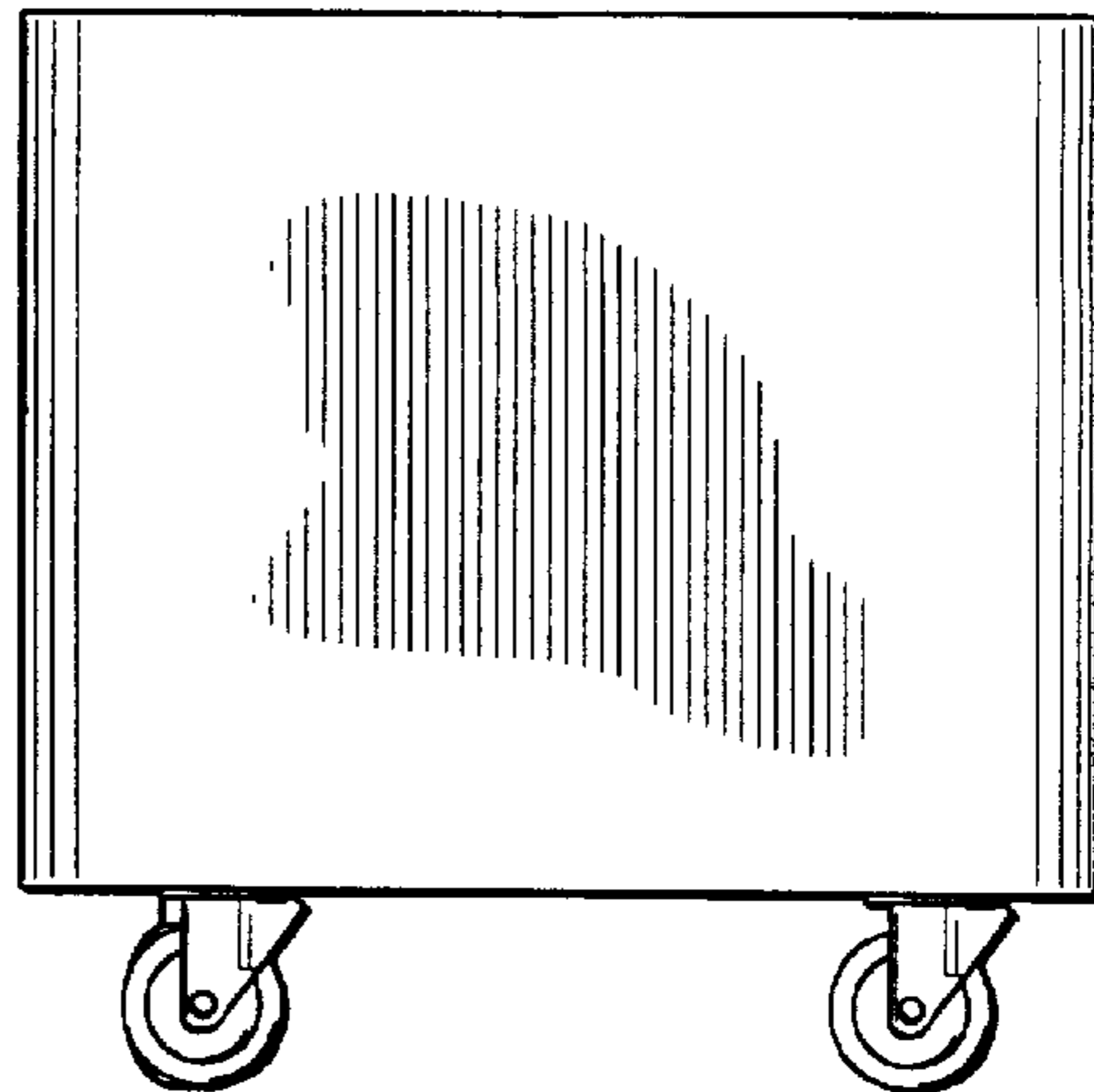


FIG. 3

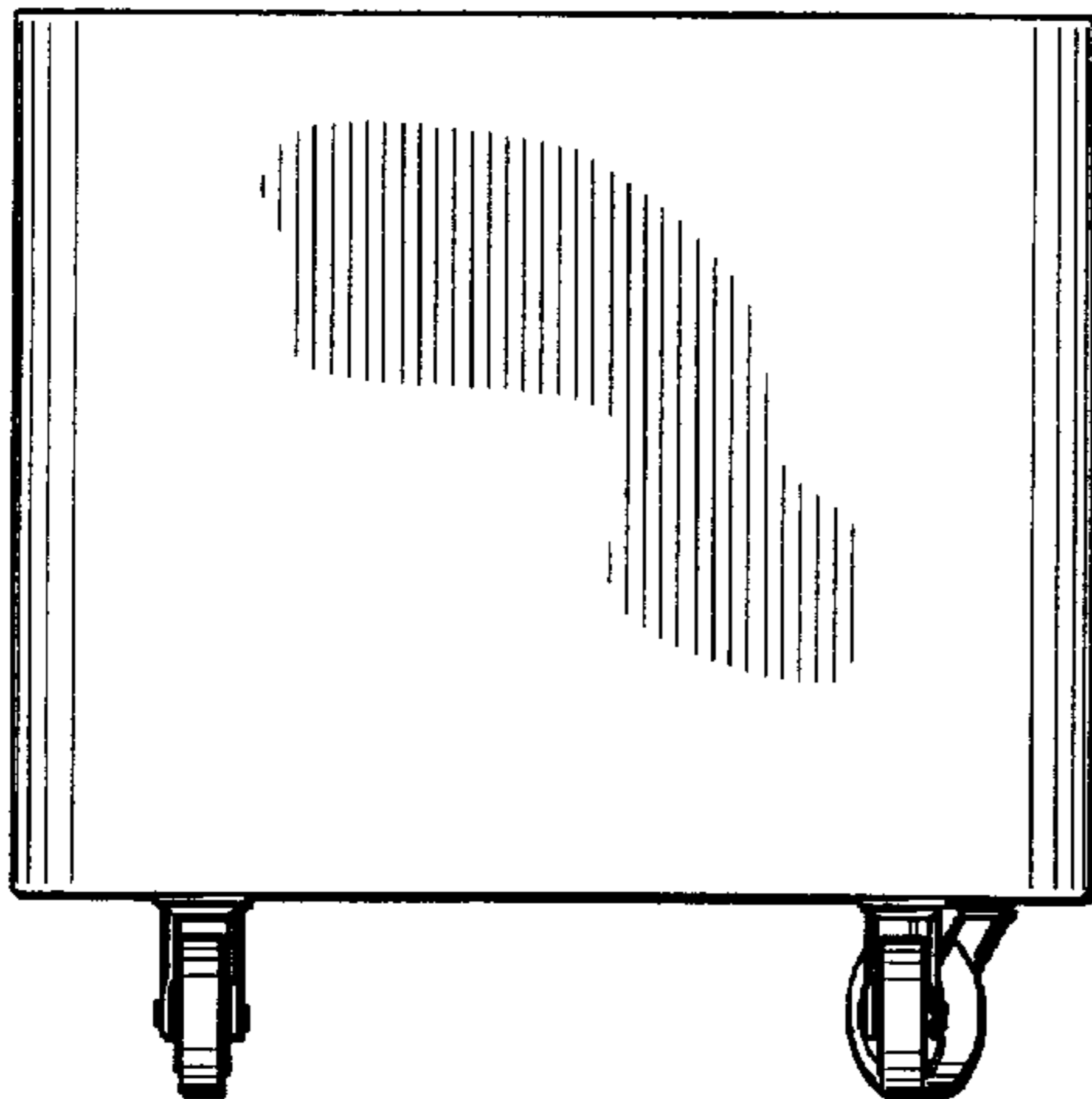


FIG. 4

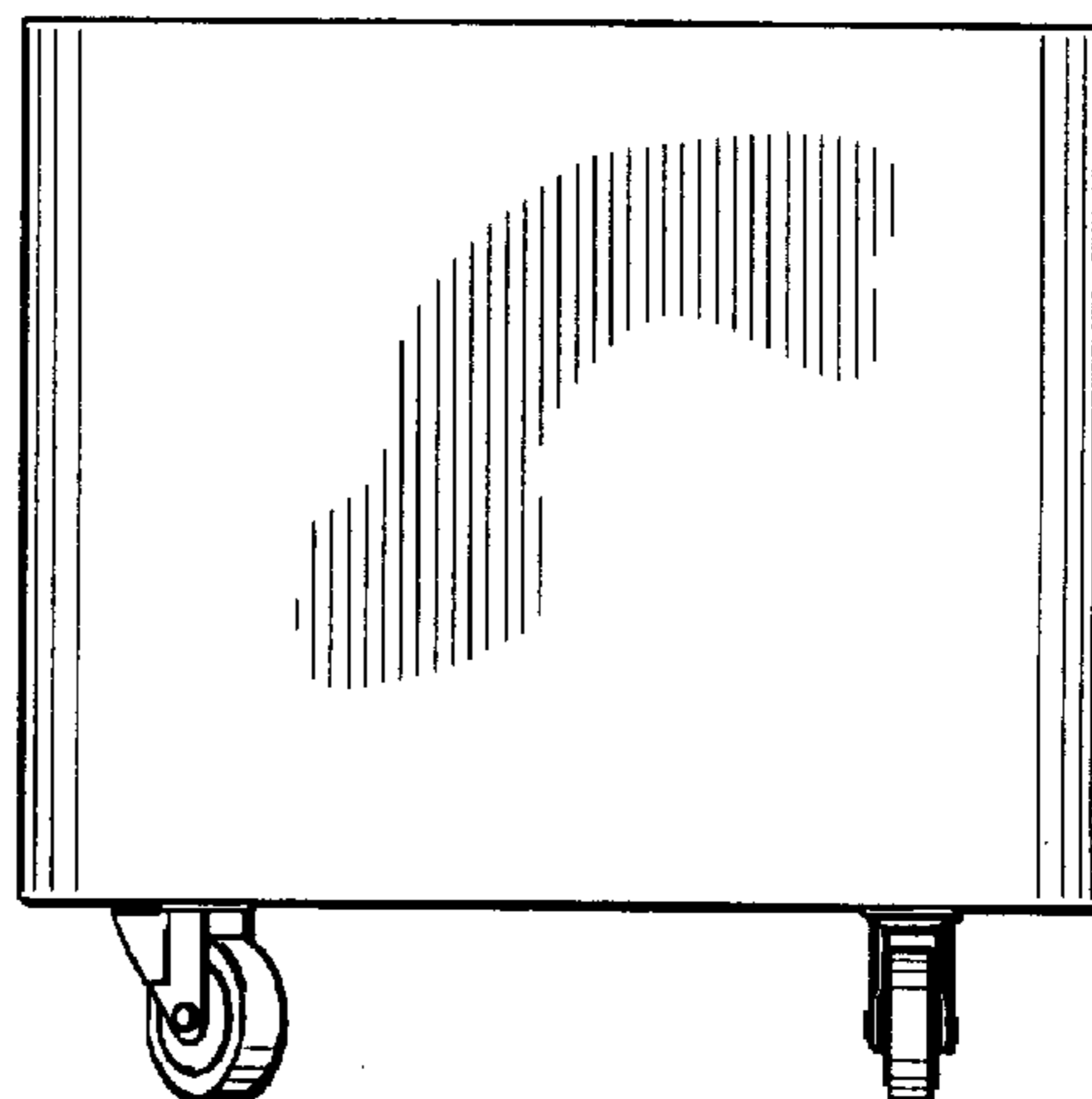


FIG. 5

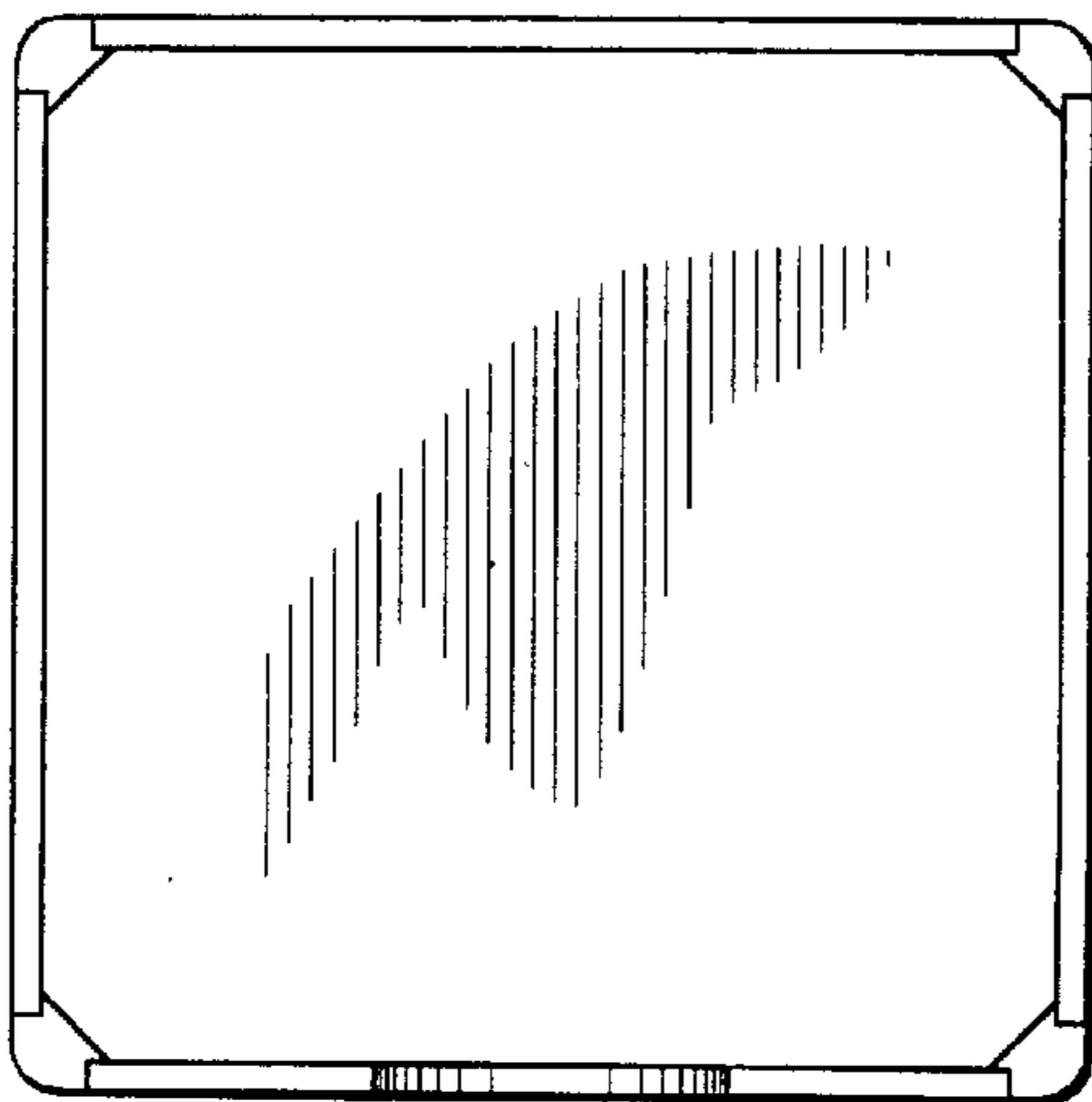


FIG. 6

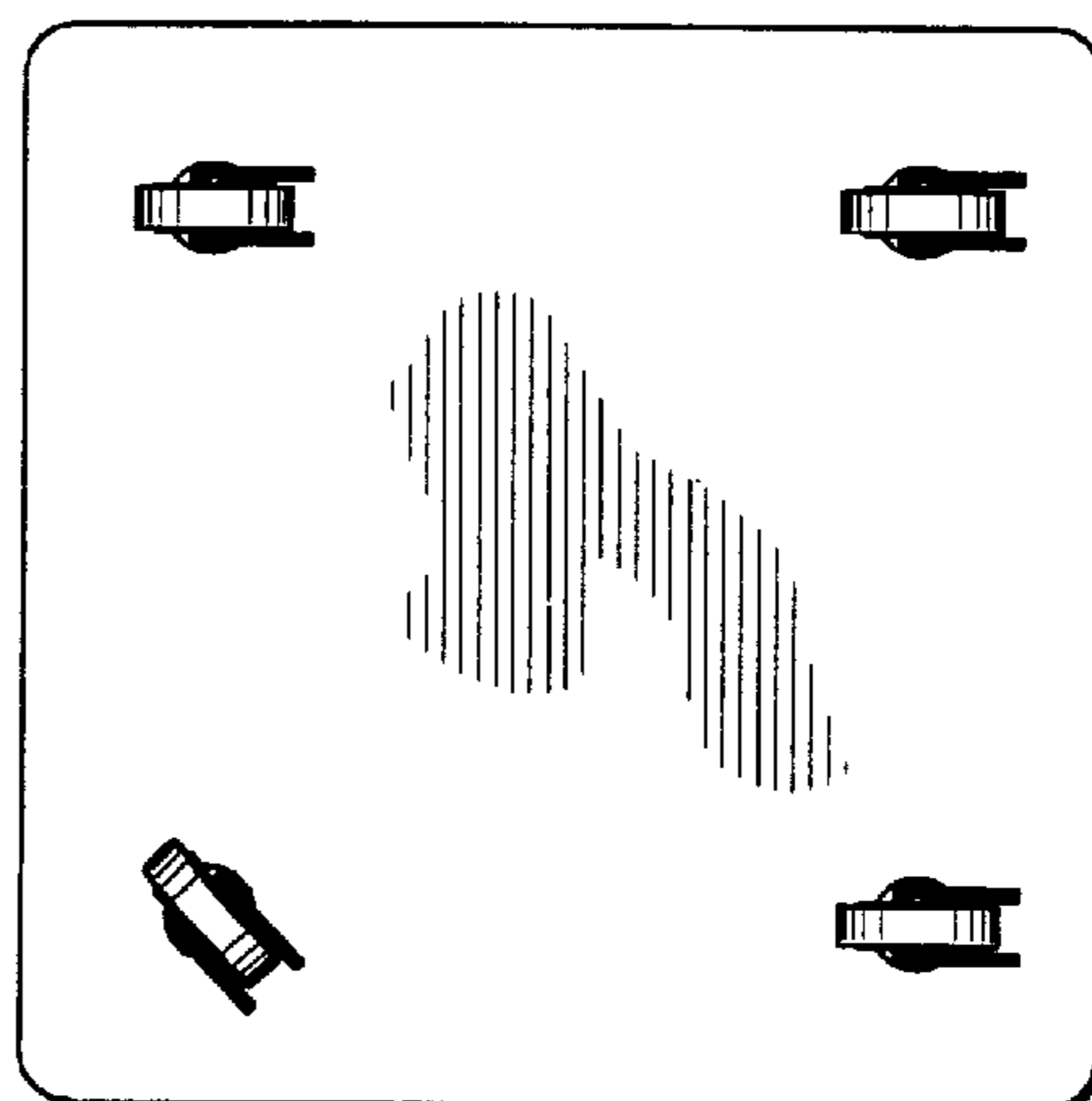


FIG. 7