



US00D423169S

# United States Patent [19]

Apps et al.

[11] Patent Number: **Des. 423,169**

[45] Date of Patent: **\*\* Apr. 18, 2000**

[54] **HOOD VENT FOR ROLL OUT CART**

[75] Inventors: **William Patrick Apps**, Alpharetta, Ga.;  
**Gabriel Antonio Guerra**, Walnut, Calif.

[73] Assignee: **Rehrig Pacific Company**, Los Angeles, Calif.

[\*\*] Term: **14 Years**

[21] Appl. No.: **29/098,920**

[22] Filed: **Jan. 8, 1999**

[51] **LOC (6) Cl.** ..... **09-09**

[52] **U.S. Cl.** ..... **D34/10; D34/27**

[58] **Field of Search** ..... D34/12-27, 1, D34/5, 6, 7, 10, 11; 220/367.1, 368, 370, 371, 373, 374, 908, 909; 280/47.26; D7/391, 900, 351

[56] **References Cited**

**U.S. PATENT DOCUMENTS**

4,541,544 9/1985 Martin, Jr. et al. .... 220/374

4,889,160 12/1989 Sheets ..... 220/371 X  
4,953,743 9/1990 Dart et al. .... 220/369  
5,031,796 7/1991 Schafer et al. .... 220/571  
5,472,121 12/1995 Silano ..... 222/158

*Primary Examiner*—Kay H. Chin  
*Attorney, Agent, or Firm*—Brooks & Kushman P.C.

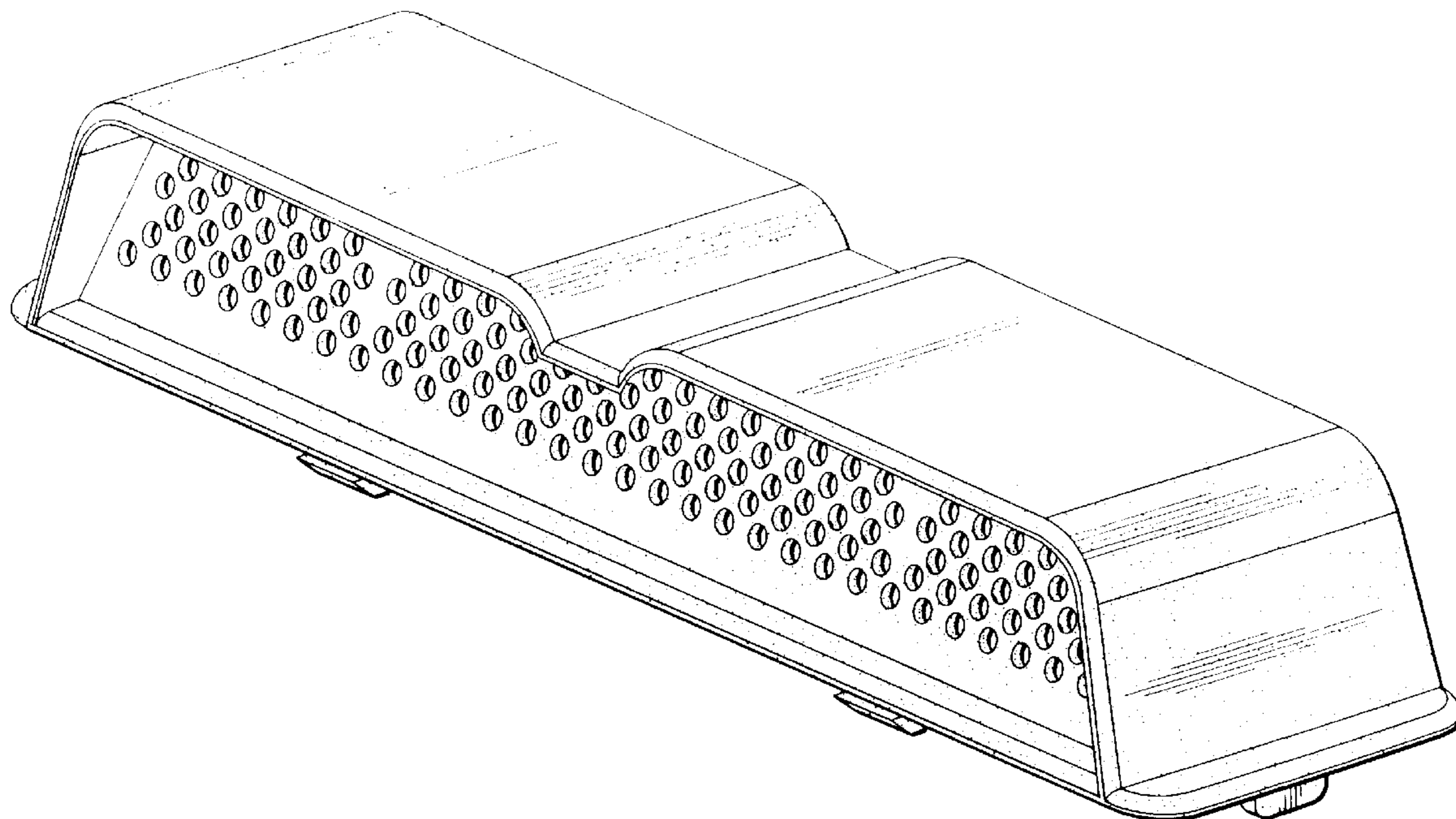
[57] **CLAIM**

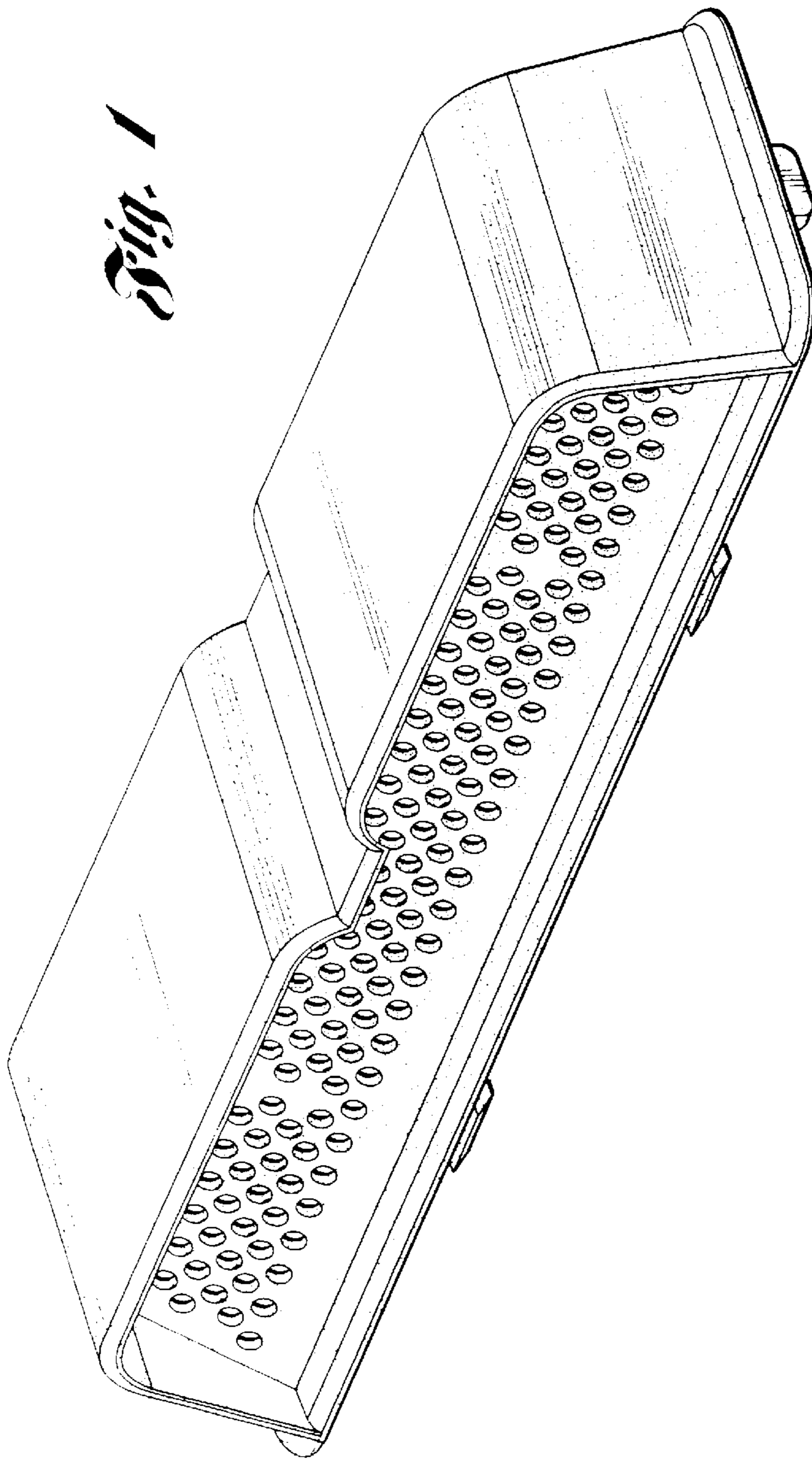
The ornamental design for a hood vent for roll out cart, as shown and described.

**DESCRIPTION**

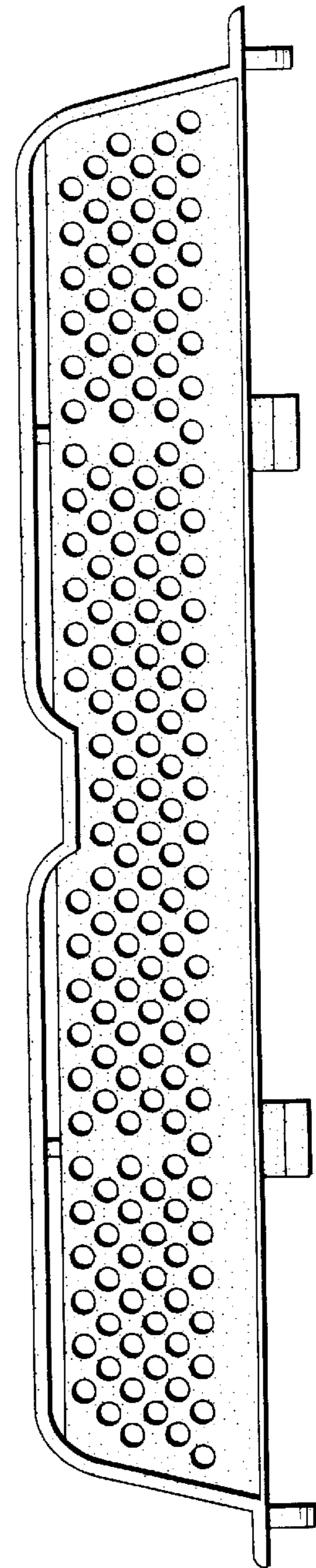
FIG. 1 is a perspective view of a hood vent for roll out cart showing our new design;  
FIG. 2 is a front elevational view thereof;  
FIG. 3 is a top plan view thereof;  
FIG. 4 is a bottom plan view thereof; and,  
FIG. 5 is a right side elevational view thereof, the left side being a mirror image of that shown.

**1 Claim, 2 Drawing Sheets**

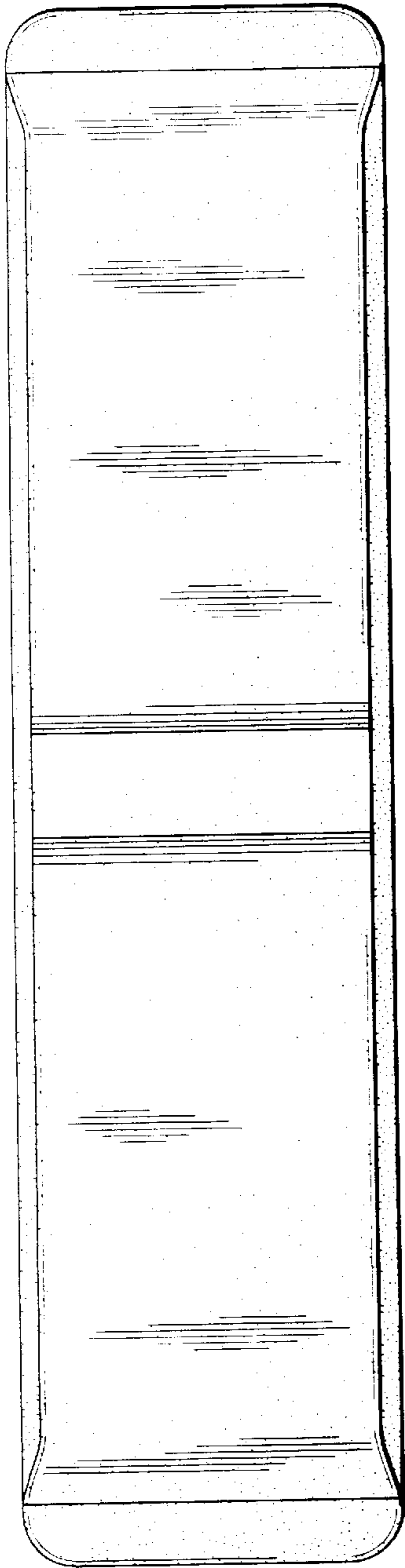




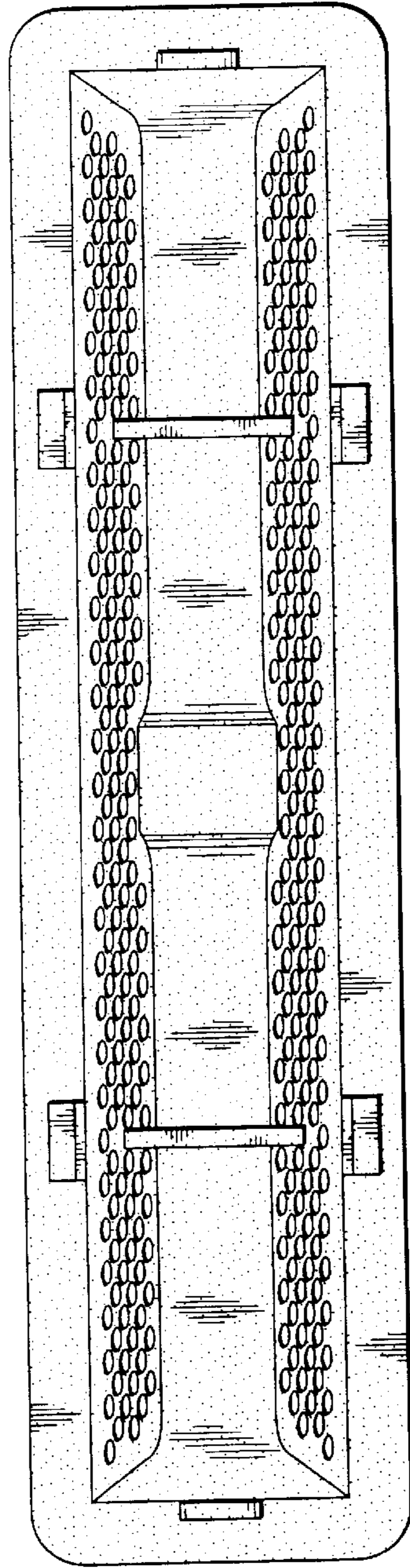
*Fig. 1*



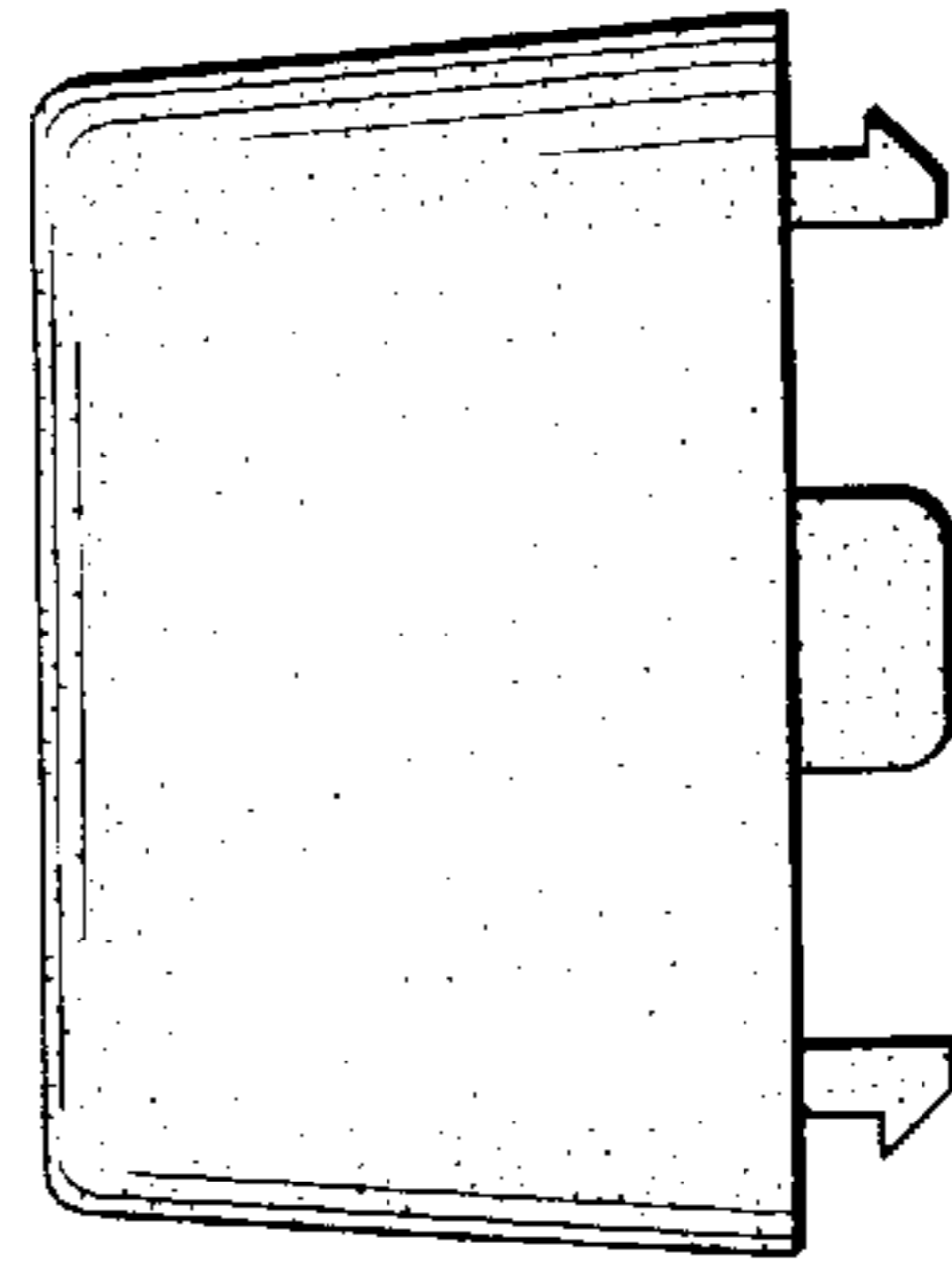
*Fig. 2*



*Fig. 3*



*Fig. 4*



*Fig. 5*