



US00D423161S

United States Patent [19]
Mersseman

[11] **Patent Number: Des. 423,161**
[45] **Date of Patent: ** Apr. 18, 2000**

[54] **CLOTHES DRYING RACK**

2,814,391 11/1957 Gibson et al. 211/94.03

[76] Inventor: **Norbert Mersseman**, The Rookery Farm, Church Lane, Ashwicken, Norfolk, PE321LN, United Kingdom

Primary Examiner—Susan J. Lucas
Assistant Examiner—Cynthia E. Ramirez

[**] Term: **14 Years**

[57] **CLAIM**

The ornamental design for a clothes drying rack, as shown and described.

[21] Appl. No.: **29/087,336**

[22] Filed: **Apr. 30, 1998**

DESCRIPTION

[51] **LOC (6) Cl.** **07-05**

[52] **U.S. Cl.** **D32/58**

[58] **Field of Search** D32/58, 60, 63,
D32/65; 211/94.03, 85.3

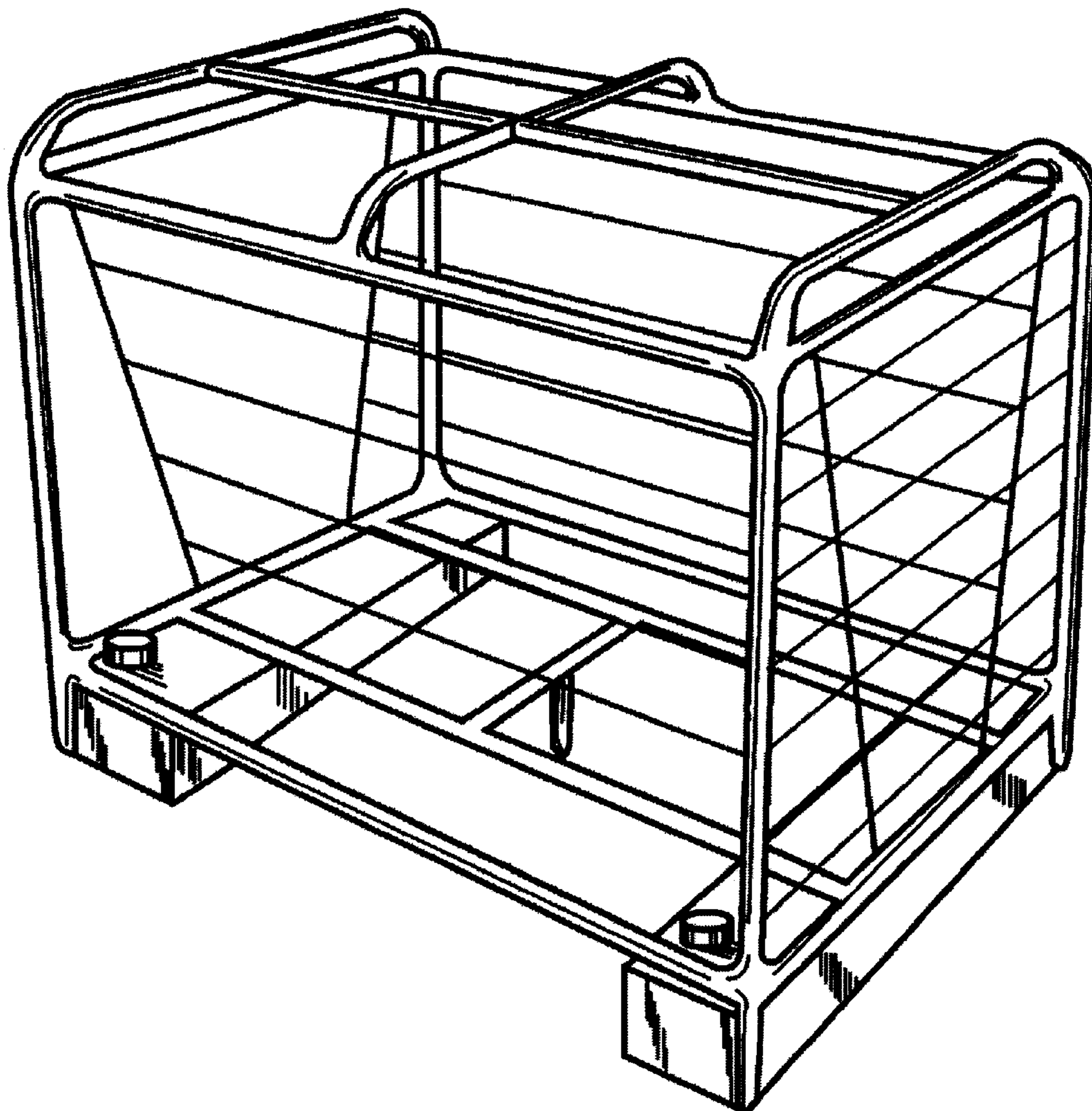
FIG. 1 is a view of the front face of the clothes drying rack
FIG. 2 is a view of the rear face of the clothes drying rack
FIG. 3 is a view of the right face of the clothes drying rack
FIG. 4 is a view of the the left face of clothes drying rack
FIG. 5 is a view of the top face of the clothes drying rack
FIG. 6 is a view of the bottom face of the clothes drying rack; and,
FIG. 7 is an isometric view of the clothes drying rack.

[56] **References Cited**

U.S. PATENT DOCUMENTS

1,261,622 4/1918 Riordan 211/94.03
1,962,205 6/1934 Murray 211/94.03

1 Claim, 4 Drawing Sheets



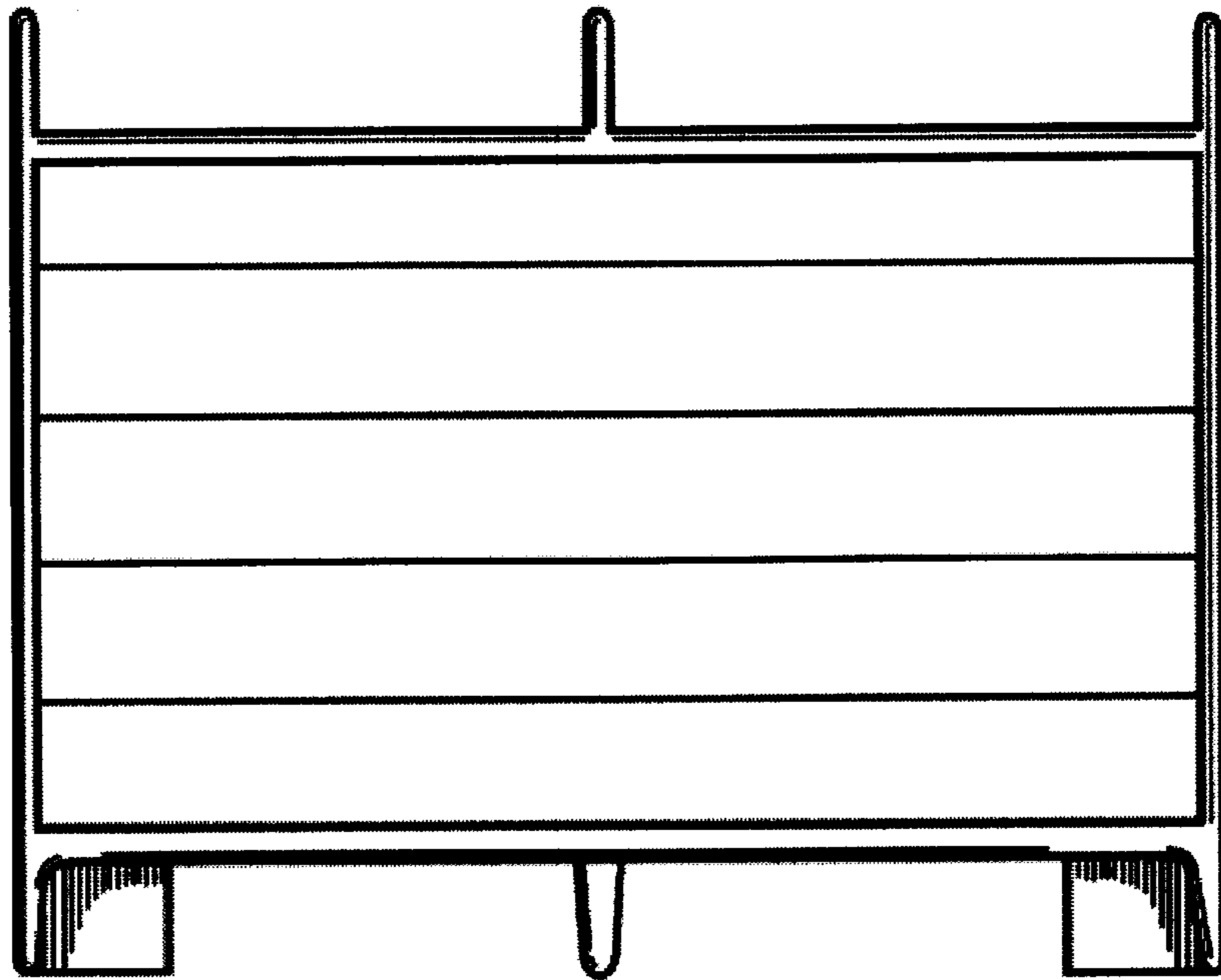


Fig. 1

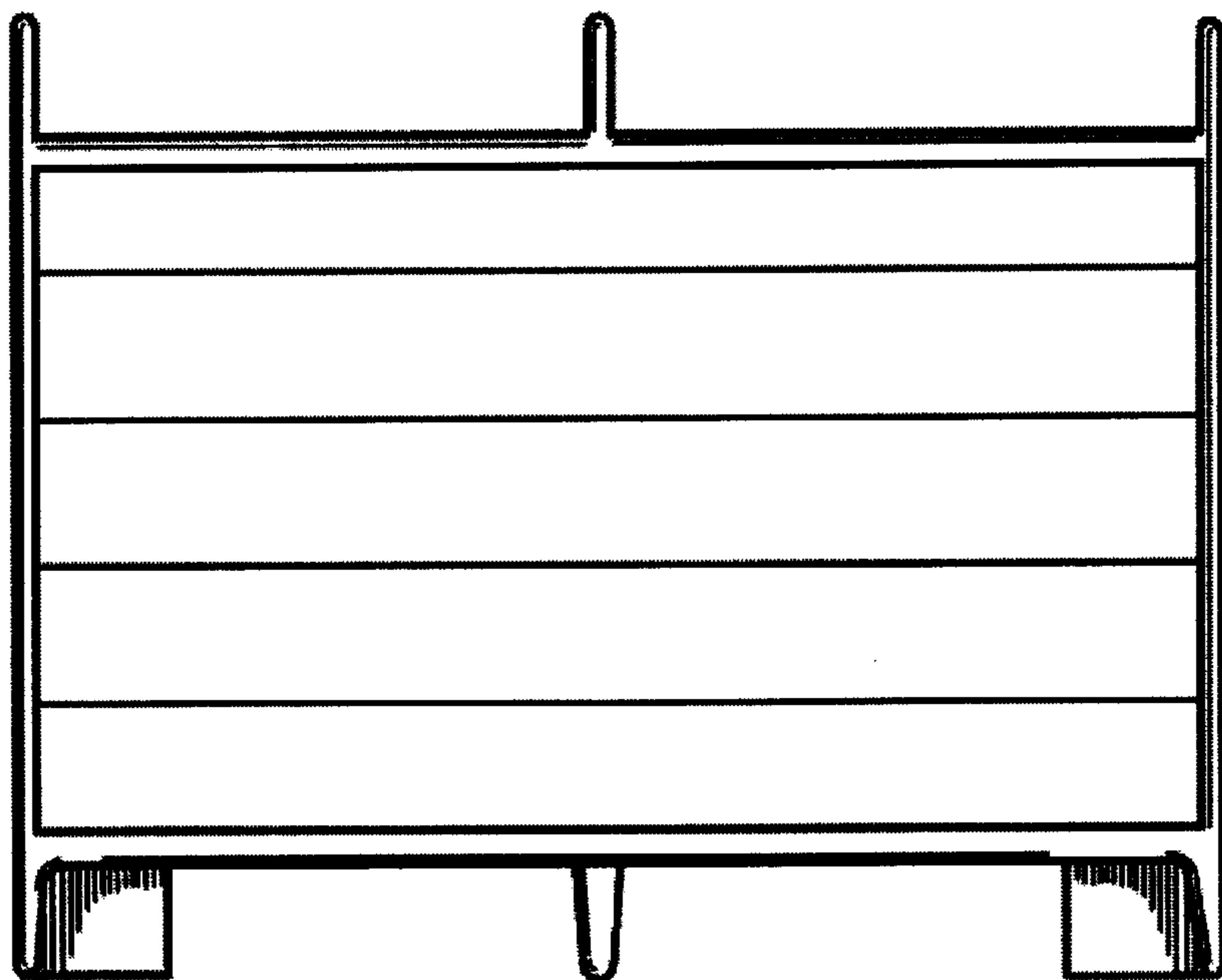


Fig. 2

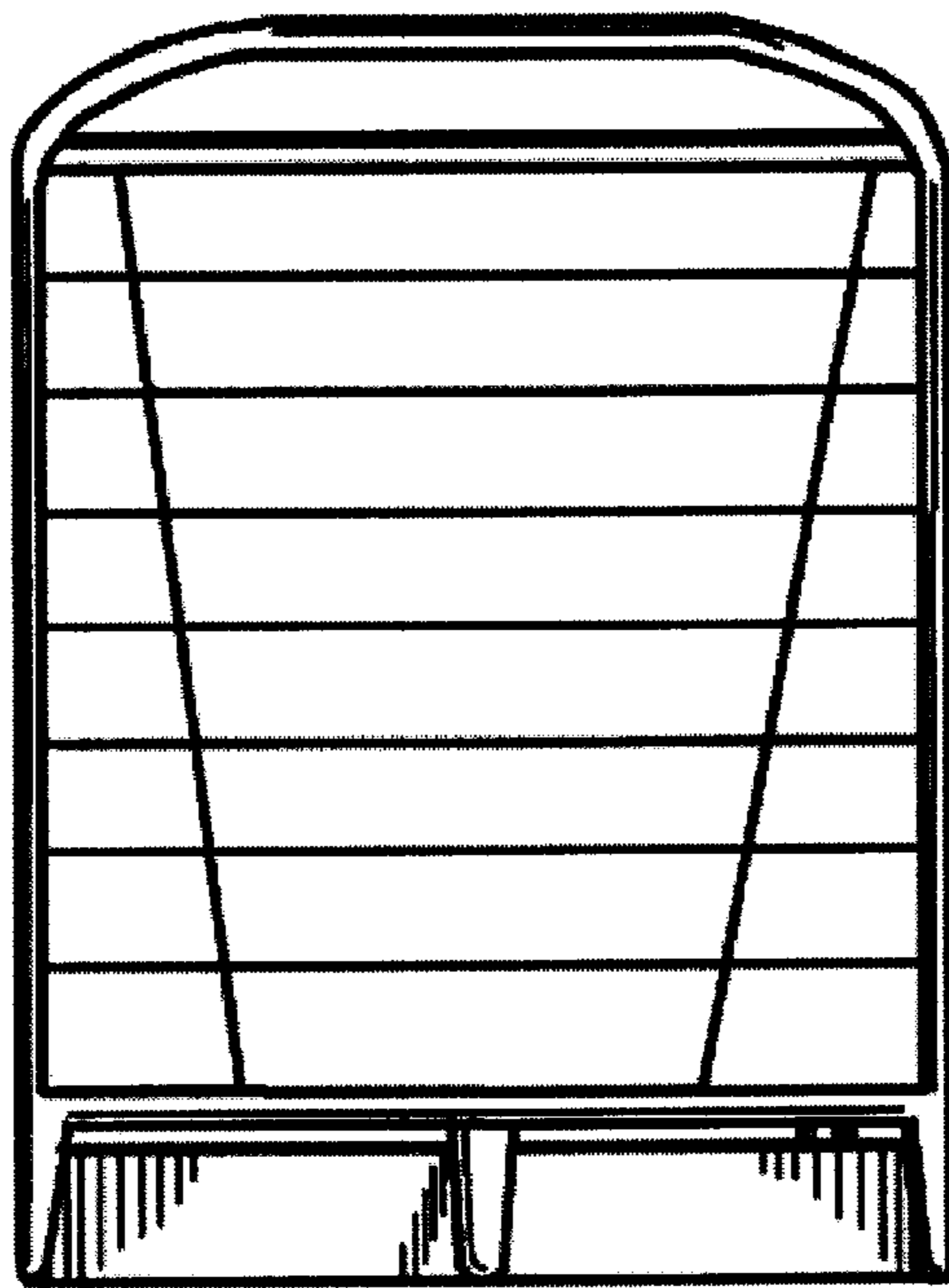


Fig. 3

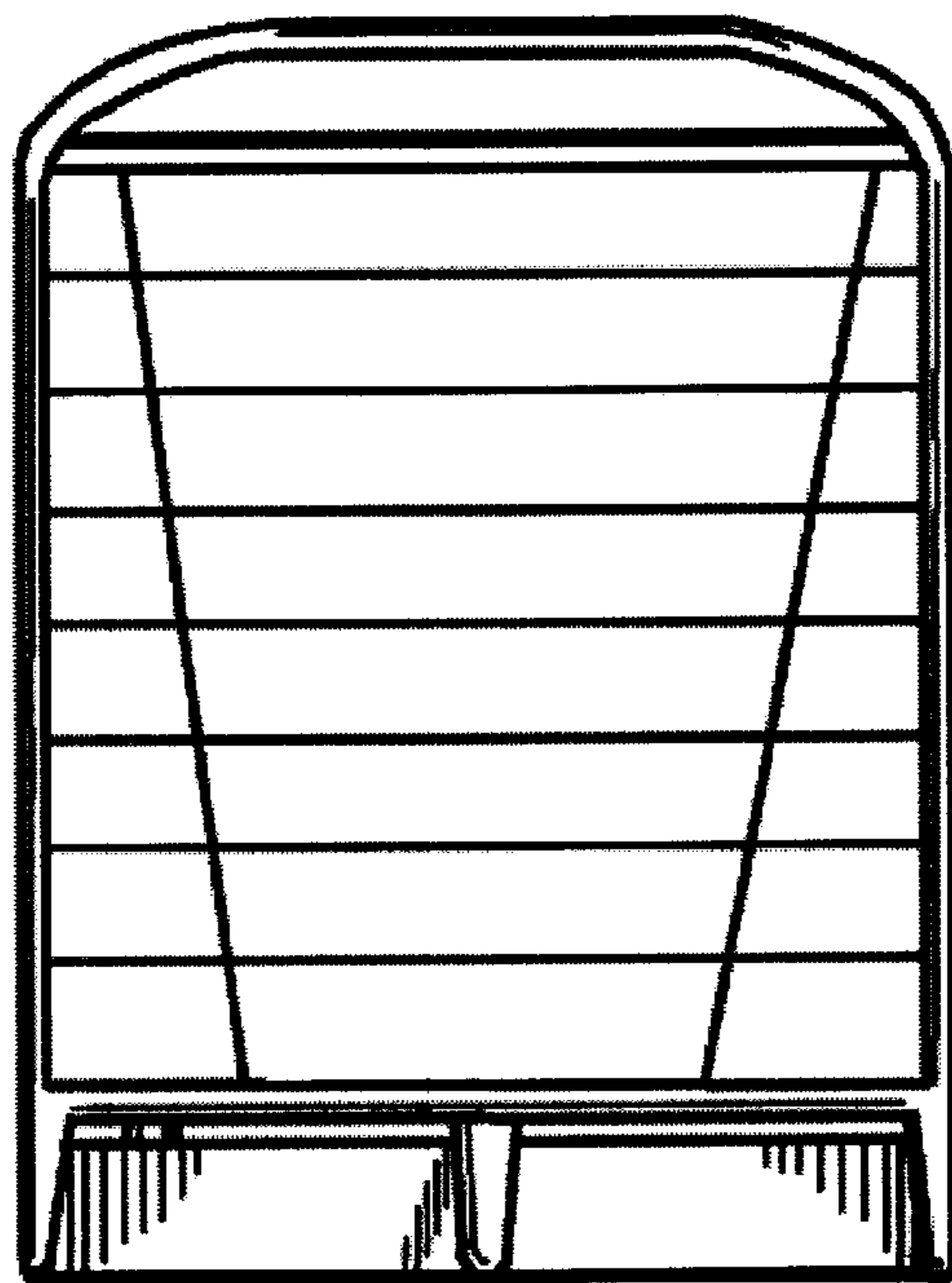


Fig. 4

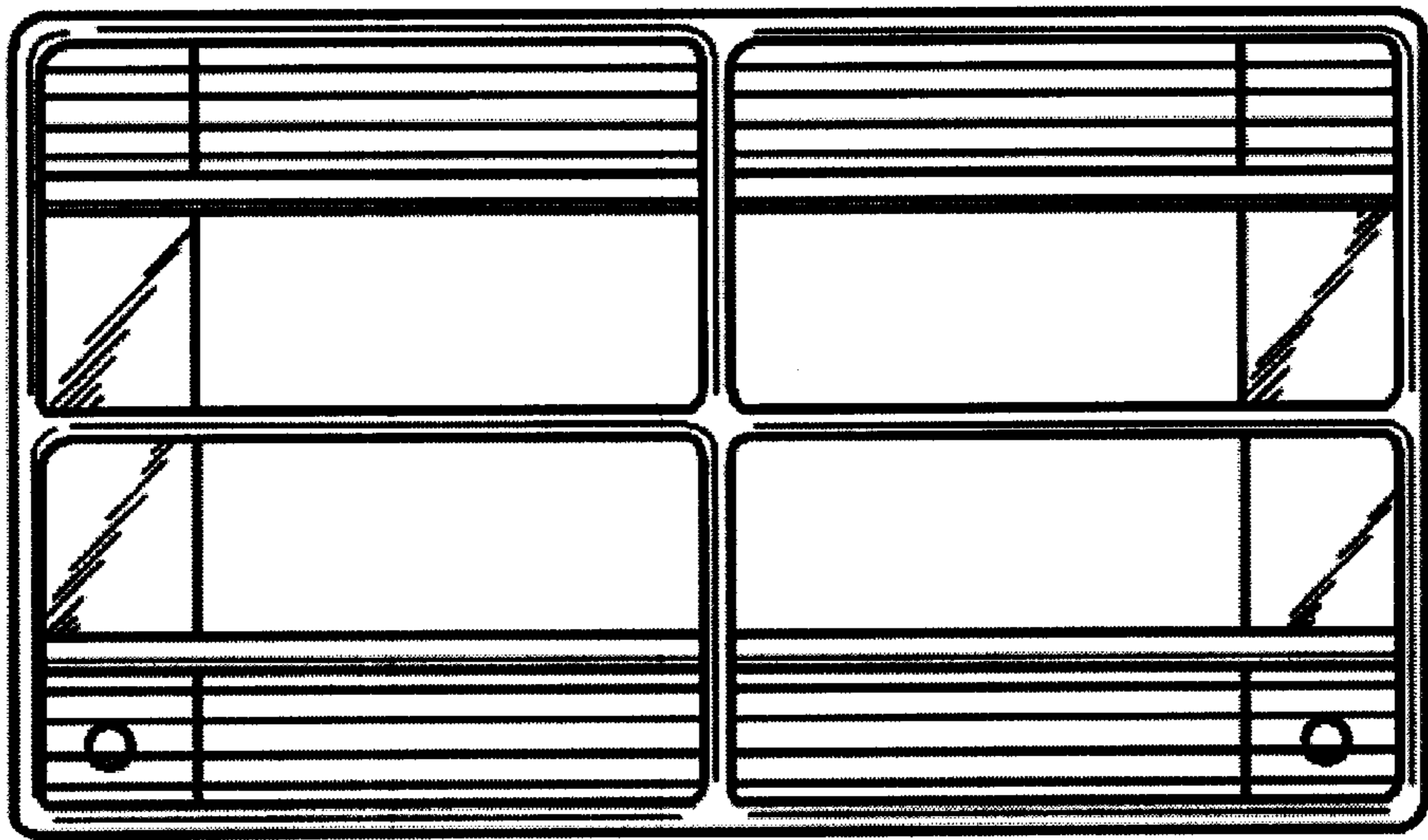


Fig. 5

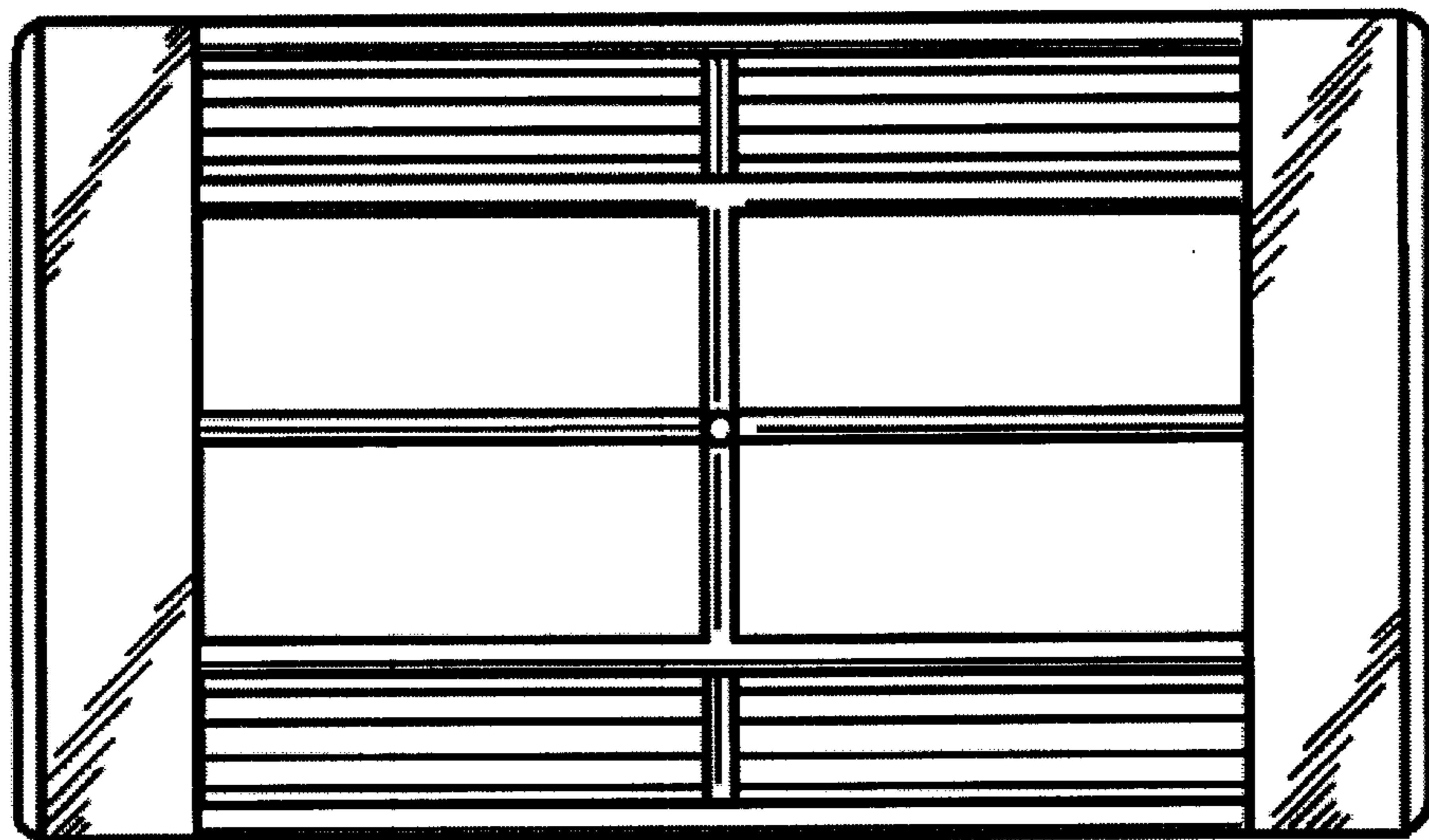


Fig. 6

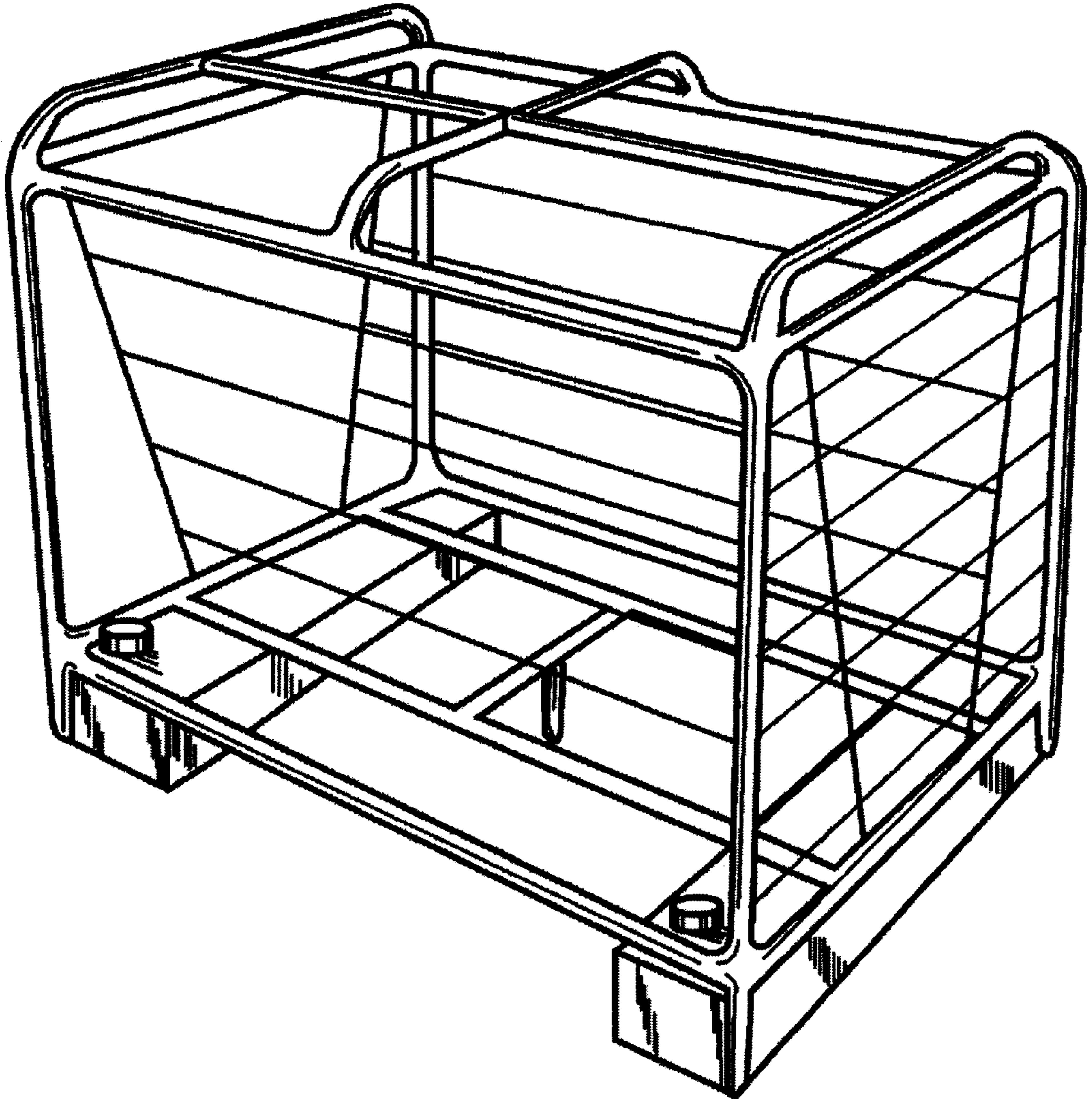


Fig. 7