



US00D423160S

# United States Patent [19] Lenney

[11] **Patent Number: Des. 423,160**

[45] **Date of Patent: \*\* Apr. 18, 2000**

[54] **DISHRACK AND CUTLERY BASKET**

[75] Inventor: **Joseph P. Lenney**, San Francisco, Calif.

[73] Assignee: **Williams-Sonoma, Inc.**, San Francisco, Calif.

[\*\*] Term: **14 Years**

[21] Appl. No.: **29/094,263**

[22] Filed: **Sep. 29, 1998**

[51] **LOC (6) Cl.** ..... **07-05**

[52] **U.S. Cl.** ..... **D32/55**

[58] **Field of Search** ..... D32/55, 56; 220/572, 220/487; 211/85.25, 41.3, 41.4, 41.5, 41.6, 41.1; 4/654, 656

[56] **References Cited**

**U.S. PATENT DOCUMENTS**

D. 247,416	3/1978	Berman et al. ....	D32/55
D. 252,251	7/1979	Lundahl .....	D23/55
D. 258,928	4/1981	Buchsteiner Nee Fetzer .....	D32/55
D. 353,923	12/1994	Drake .....	D32/55
D. 363,578	10/1995	Brightbill et al. ....	D32/55
1,270,631	6/1918	Lewis .....	211/41.3
1,604,608	10/1926	Ryerson .....	211/41.3
5,423,437	6/1995	Kayem .....	220/487

**OTHER PUBLICATIONS**

Home Trends catalog; Folding Dish and Utensil Rack; p. 36, Aug. 1997.

*Primary Examiner*—Robin V. Taylor

*Attorney, Agent, or Firm*—Janis Biksa; Owen, Wickersham & Erickson

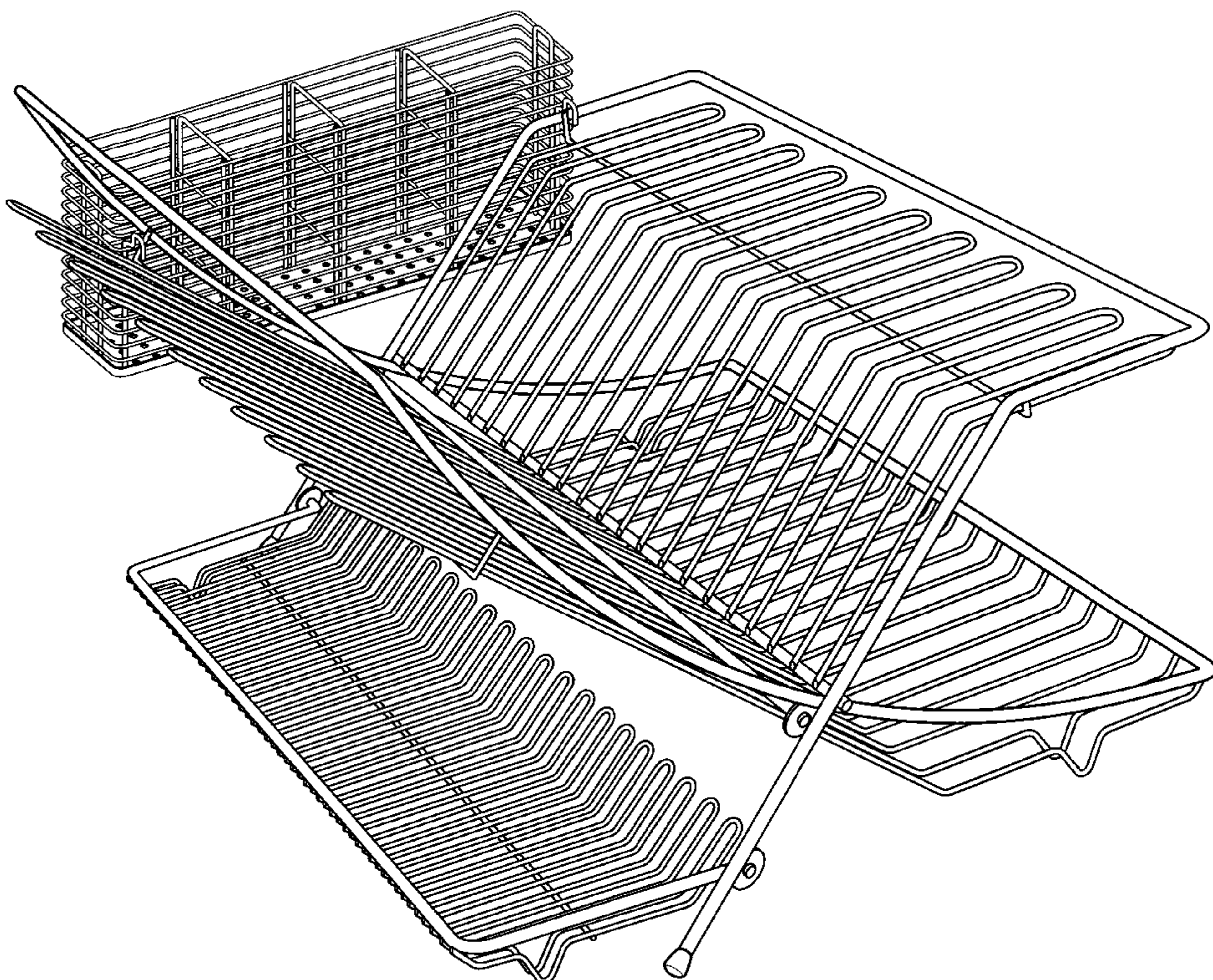
[57] **CLAIM**

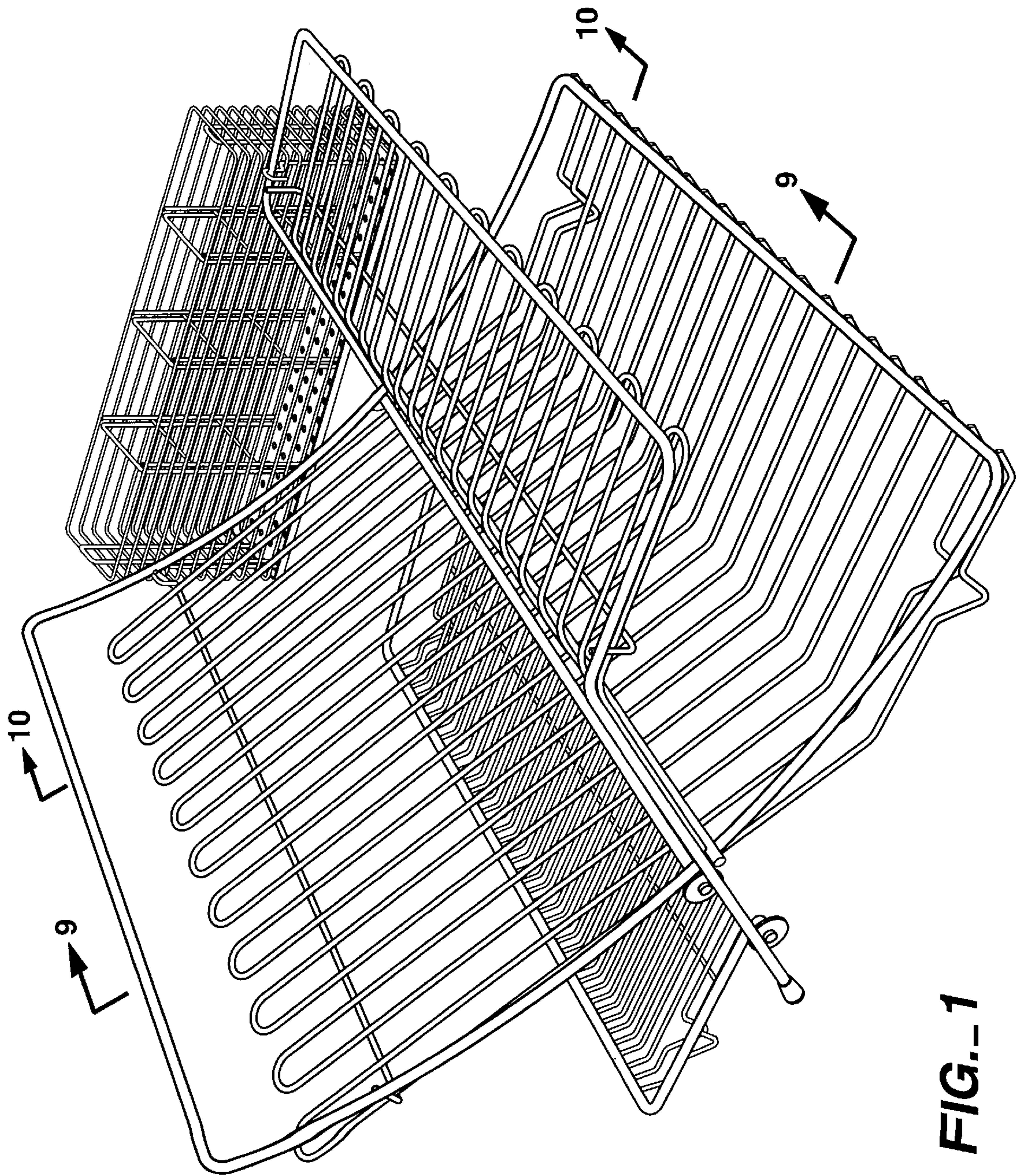
The ornamental design for a dishrack and cutlery basket, as shown and described.

**DESCRIPTION**

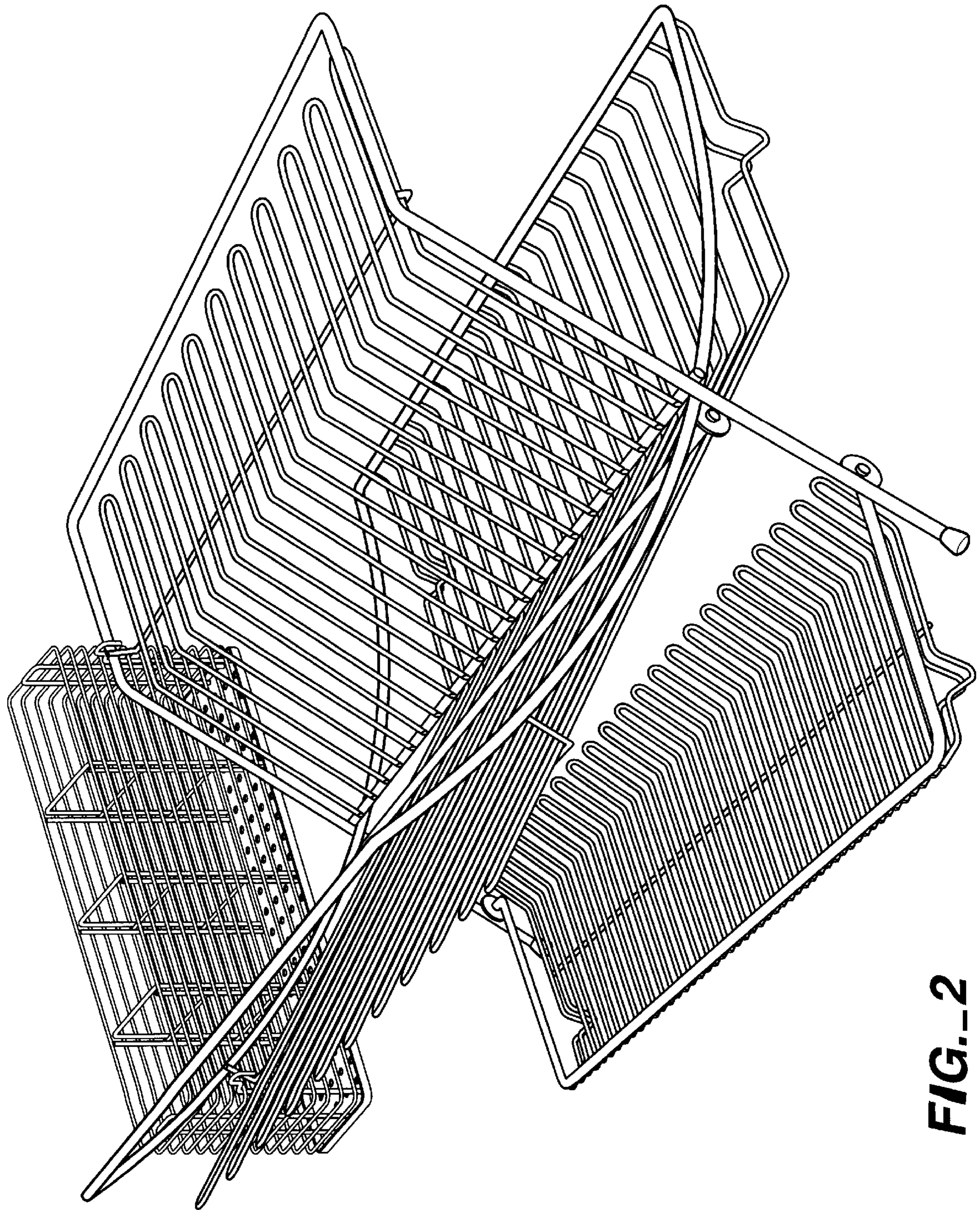
FIG. 1 is a first perspective view of the design according to the invention;  
 FIG. 2 is a second perspective view of the design of FIG. 1;  
 FIG. 3 is a front view of the design of FIG. 1;  
 FIG. 4 is a back view of the design of FIG. 1;  
 FIG. 5 is a left side view of the design of FIG. 1;  
 FIG. 6 is a right side view of the design of FIG. 1;  
 FIG. 7 is a top view of the design of FIG. 1;  
 FIG. 8 is a bottom view of the design of FIG. 1;  
 FIG. 9 is a cross sectional view taken through the center and in the direction of 9—9 of FIG. 1, with the cutlery basket omitted for ease of illustration;  
 FIG. 10 is a cross sectional view taken at the end and in the direction of 10—10 of FIG. 1, with the cutlery basket omitted for ease of illustration;  
 FIG. 11 is a perspective close up view of the cutlery basket of the design of FIG. 1, provided to improve the clarity of the cutlery basket aspect of the design;  
 FIG. 12 is a left side view of the cutlery basket of FIG. 11;  
 FIG. 13 is a front view, the back view being a mirror image thereof, of the cutlery basket of FIG. 11;  
 FIG. 14 is a right view of the cutlery basket of FIG. 11;  
 FIG. 15 is a top view of the cutlery basket of FIG. 11; and,  
 FIG. 16 is a bottom view of the cutlery basket of FIG. 11.

**1 Claim, 13 Drawing Sheets**

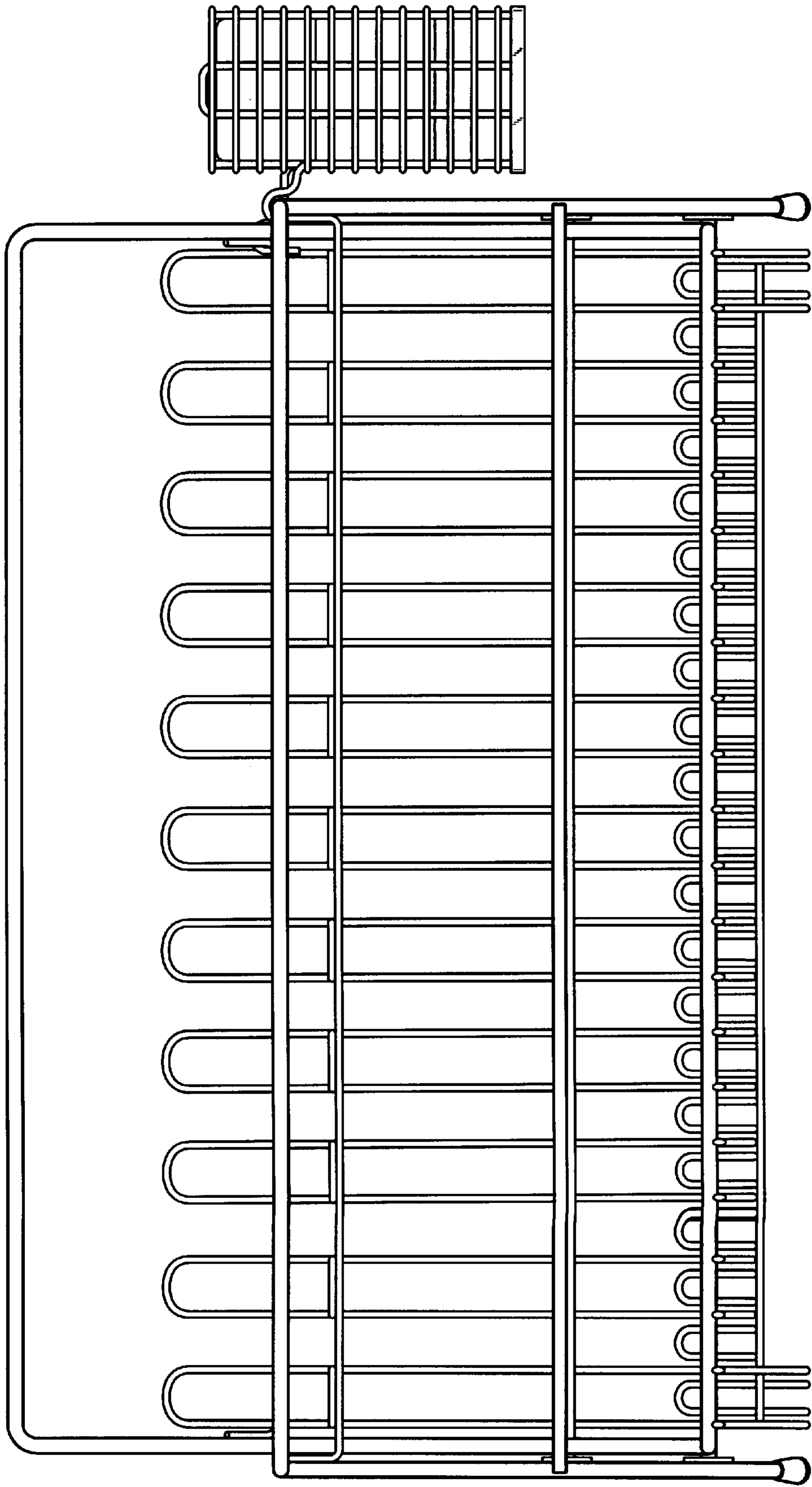




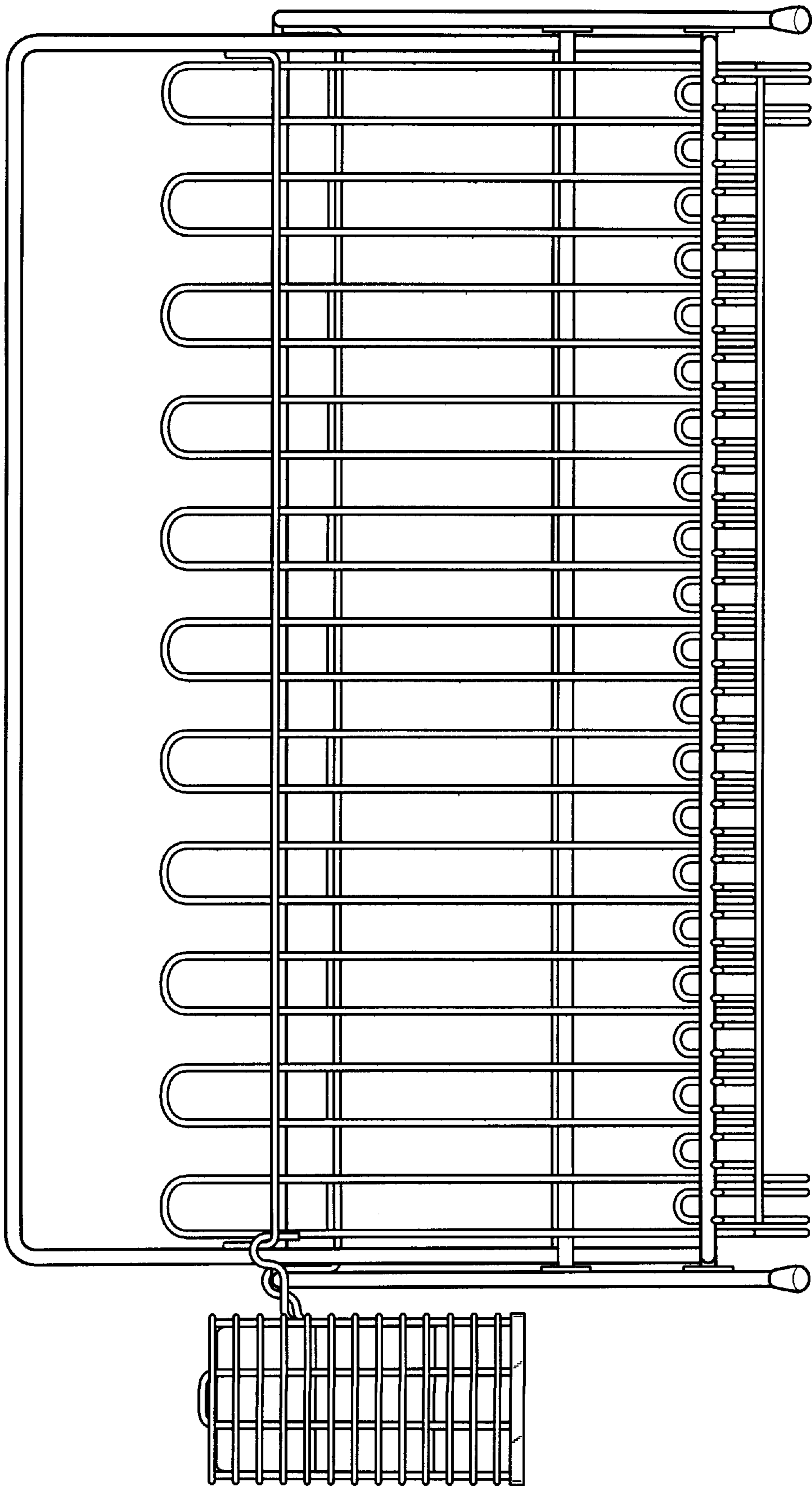
**FIG.-1**



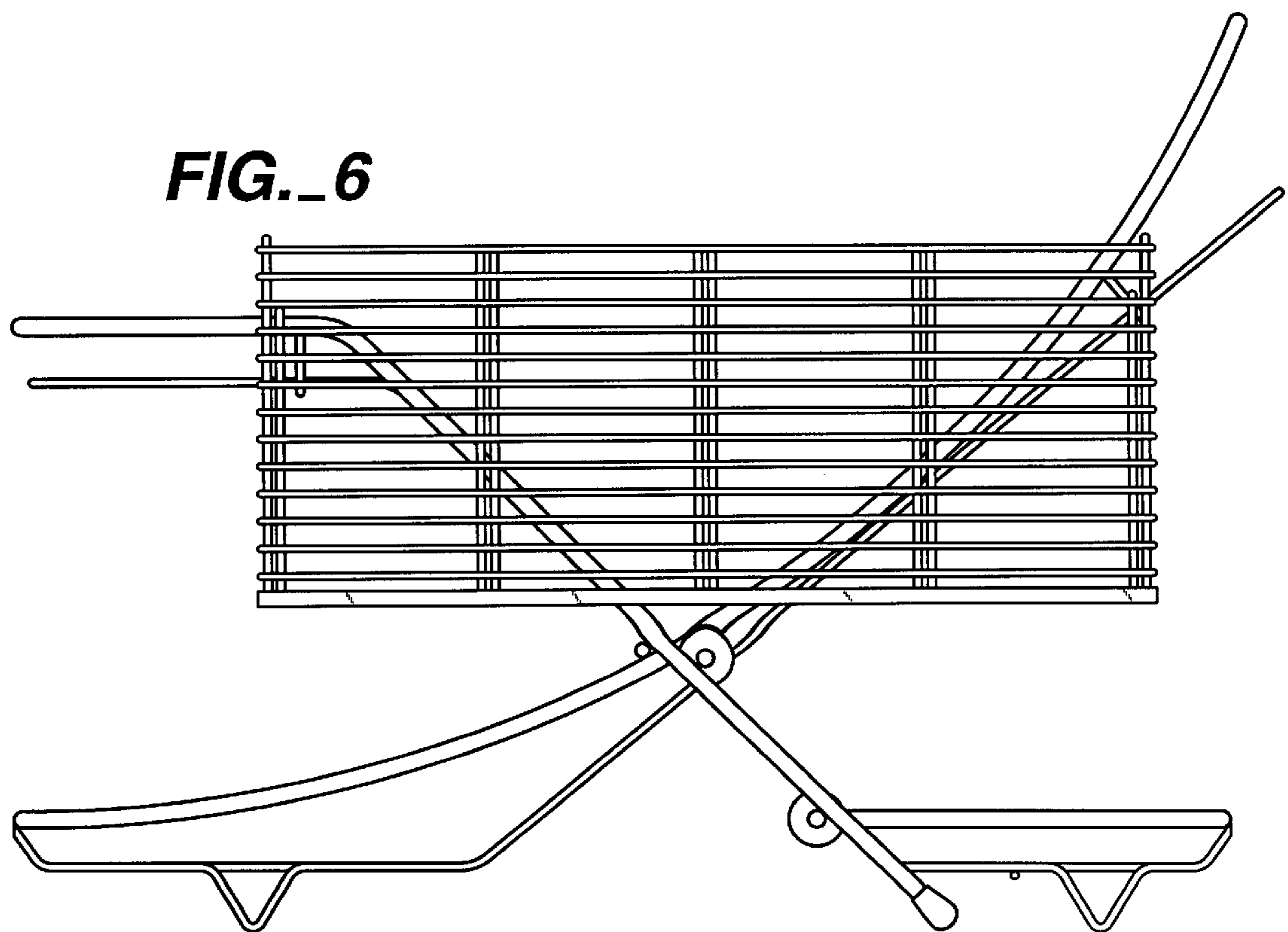
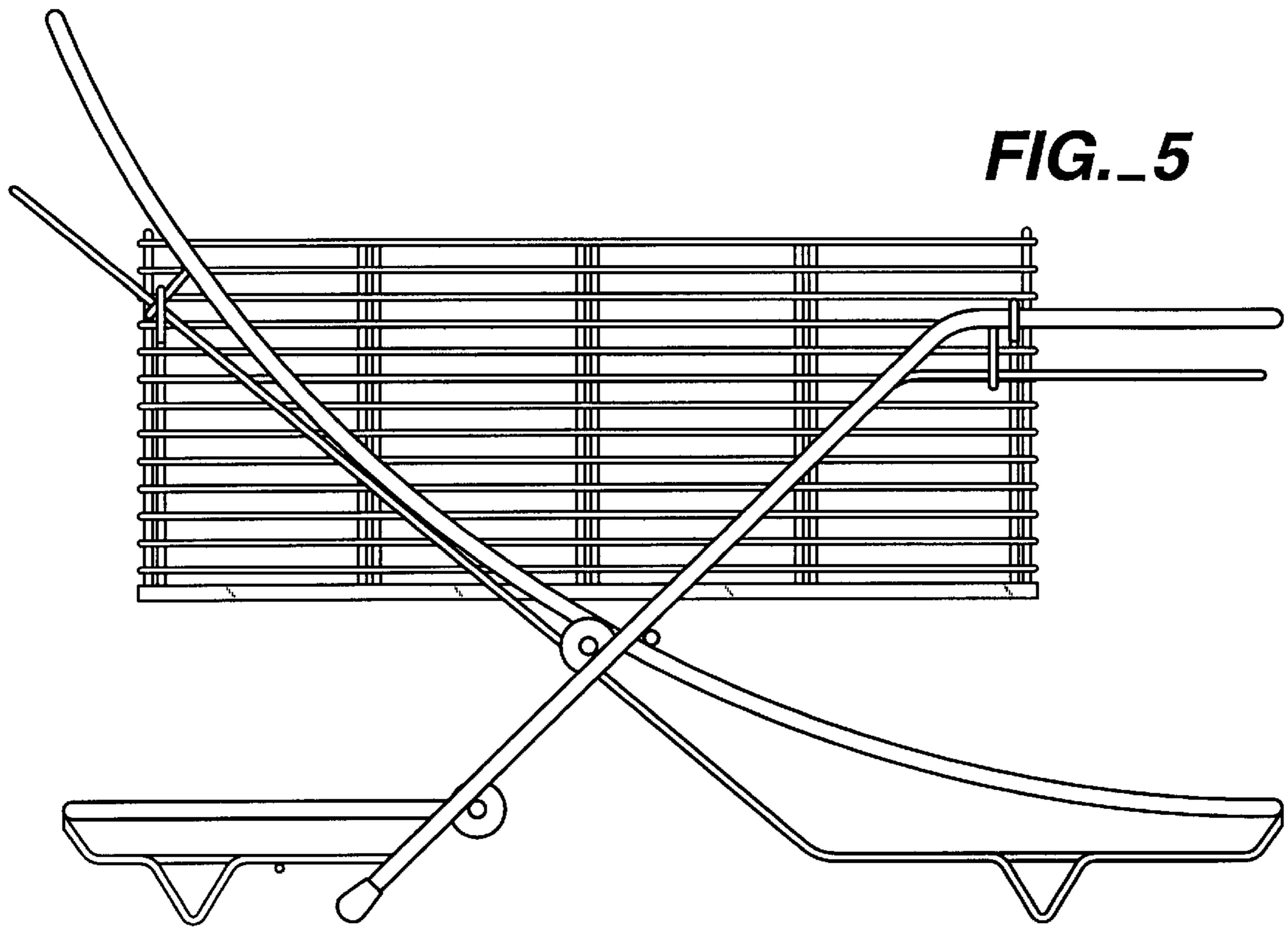
**FIG.-2**



**FIG. 3**



**FIG. 4**



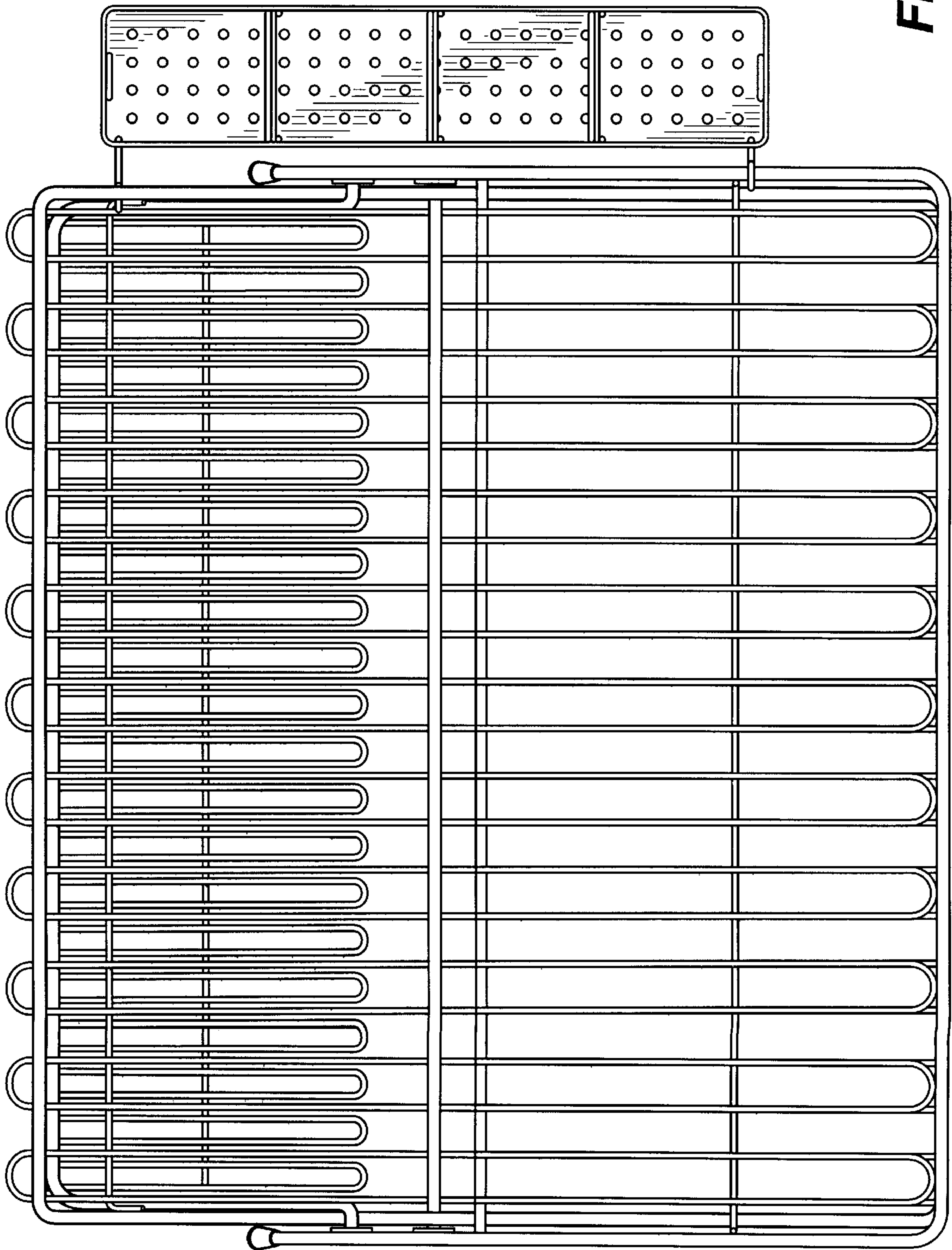


FIG.-7

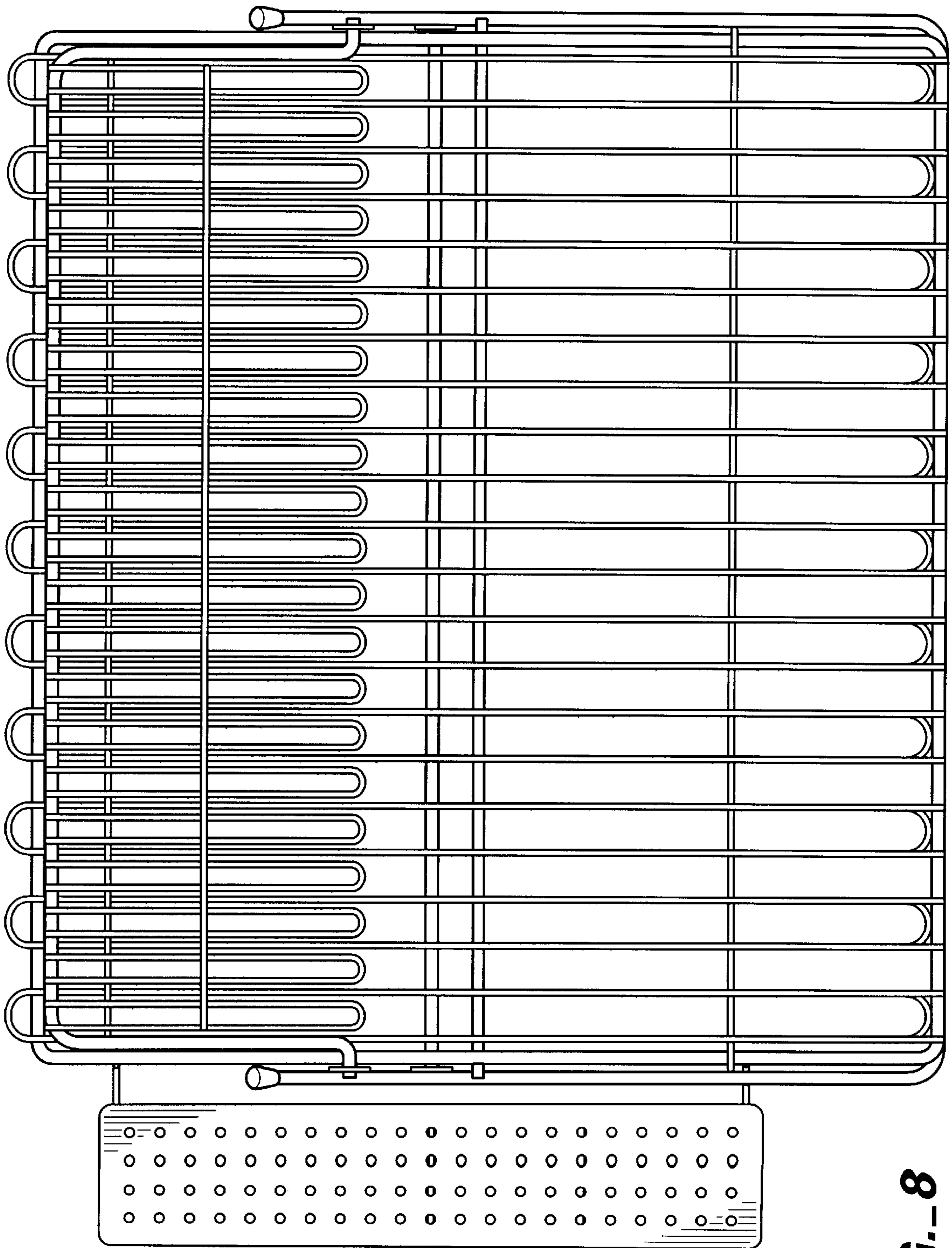
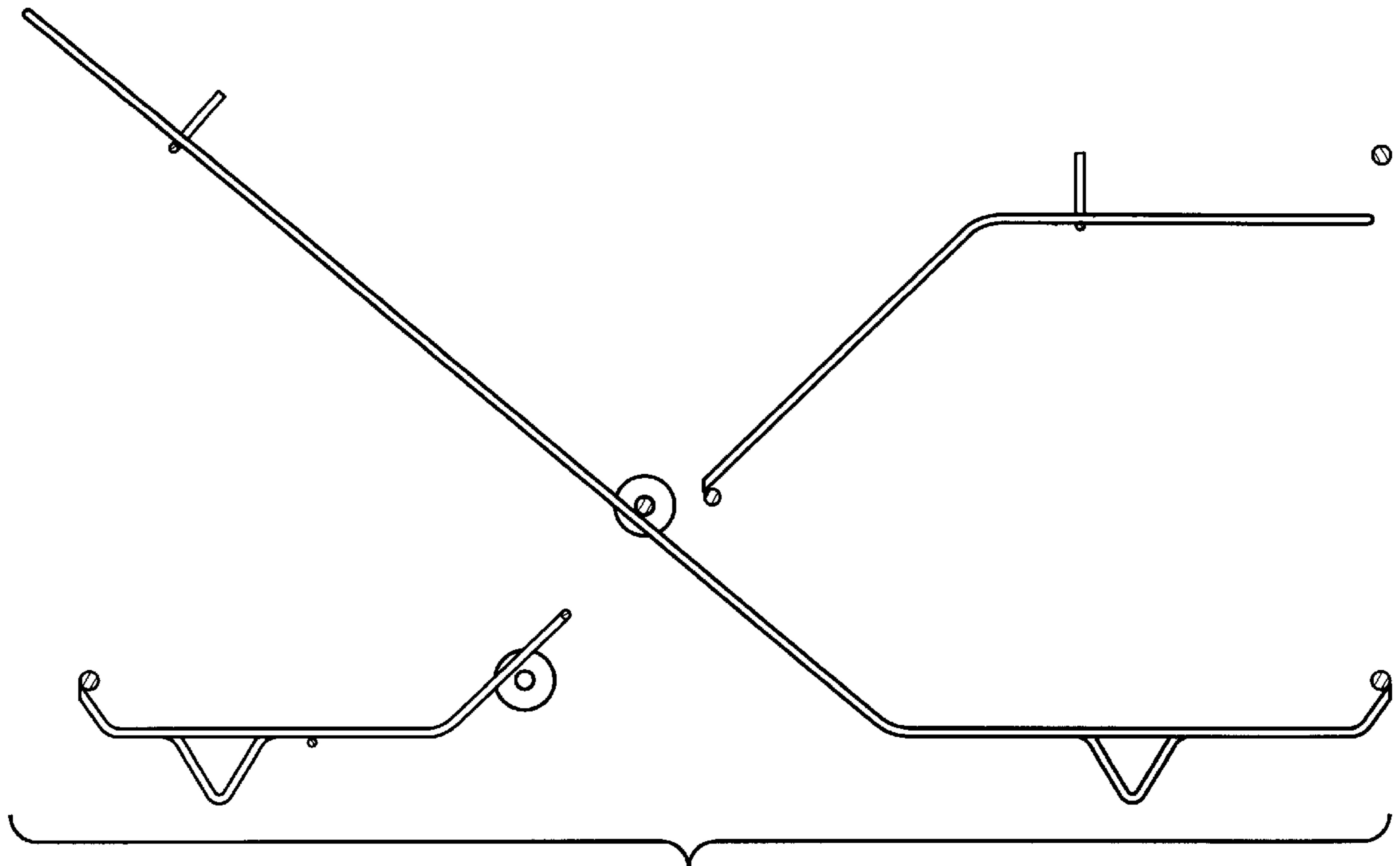
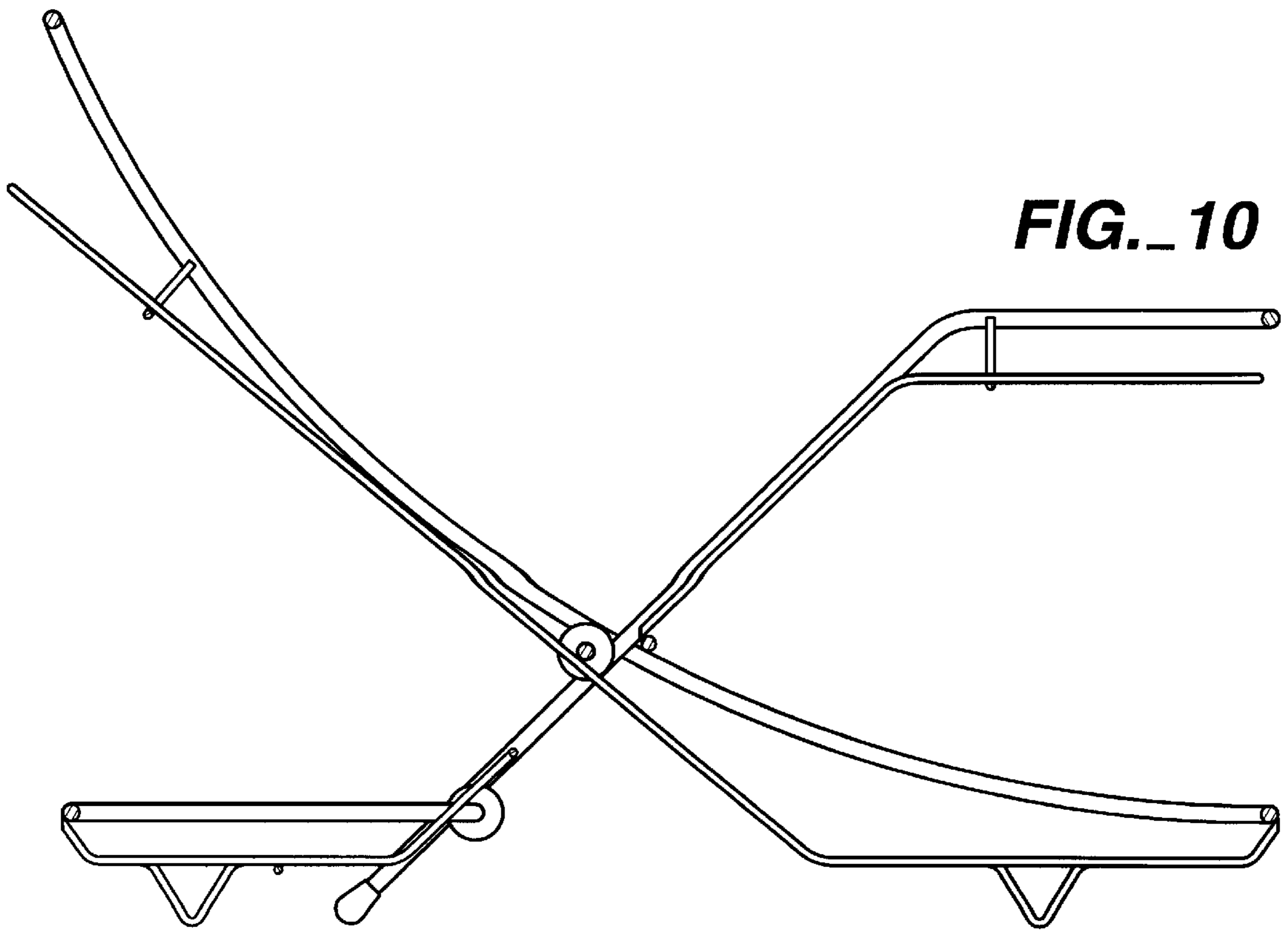


FIG. 8





**FIG. 9**



**FIG. 10**

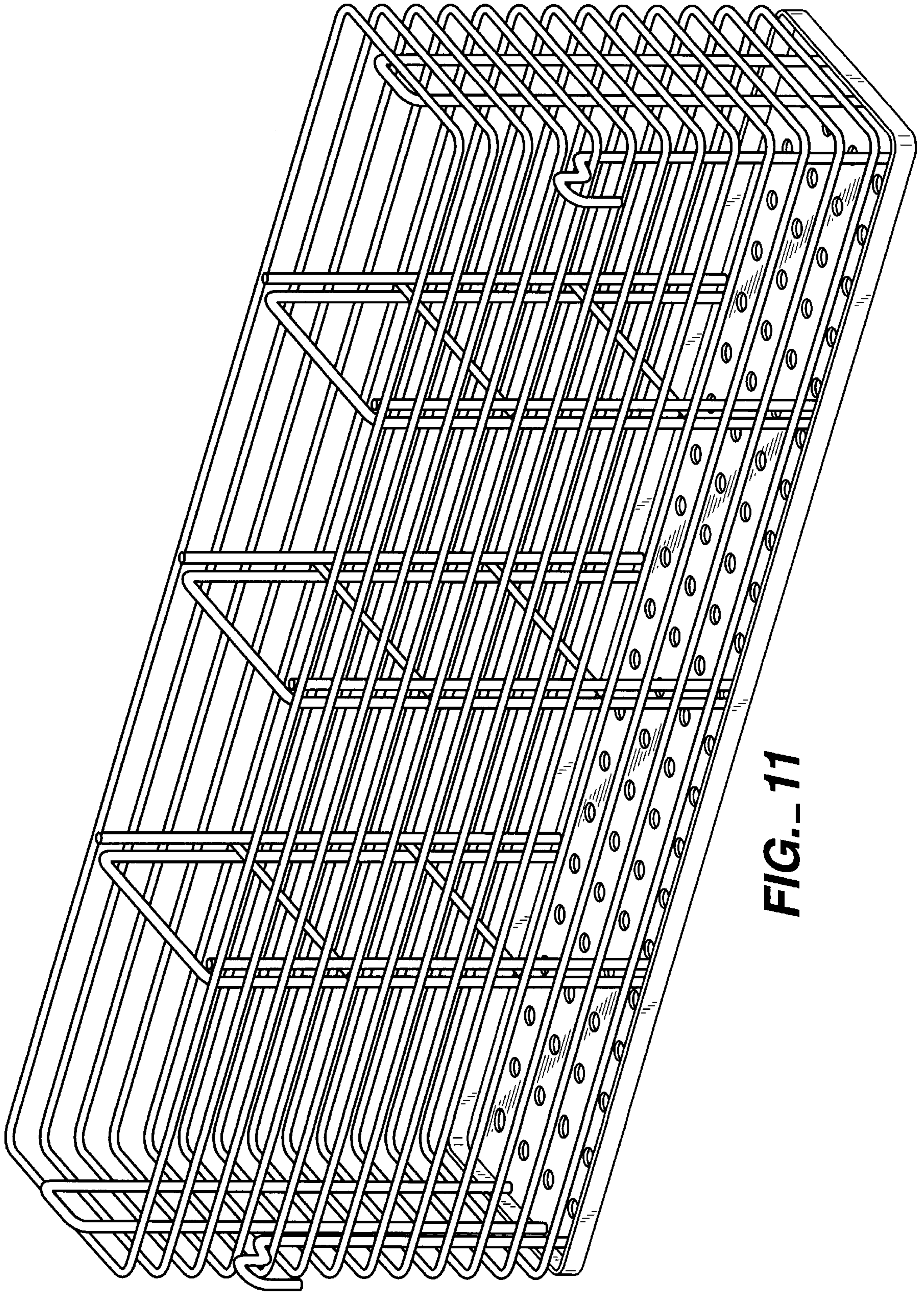
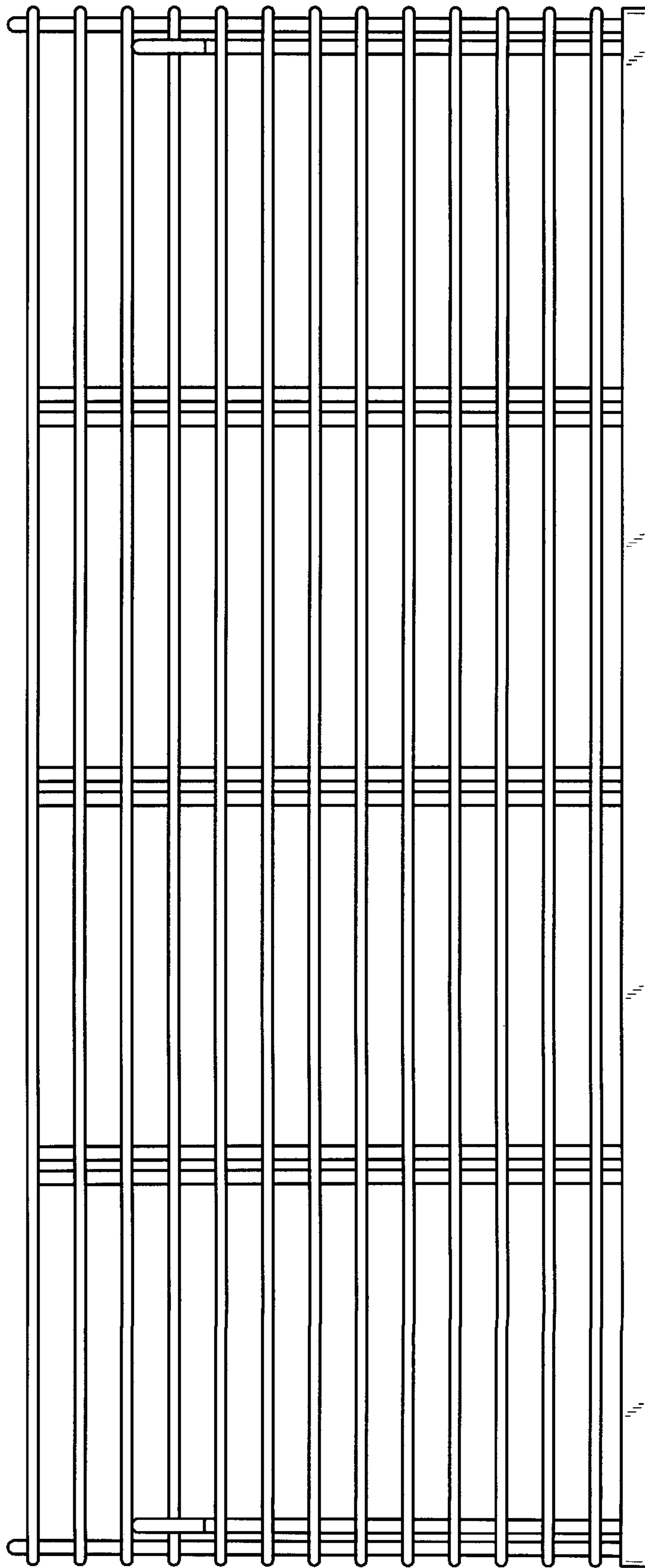
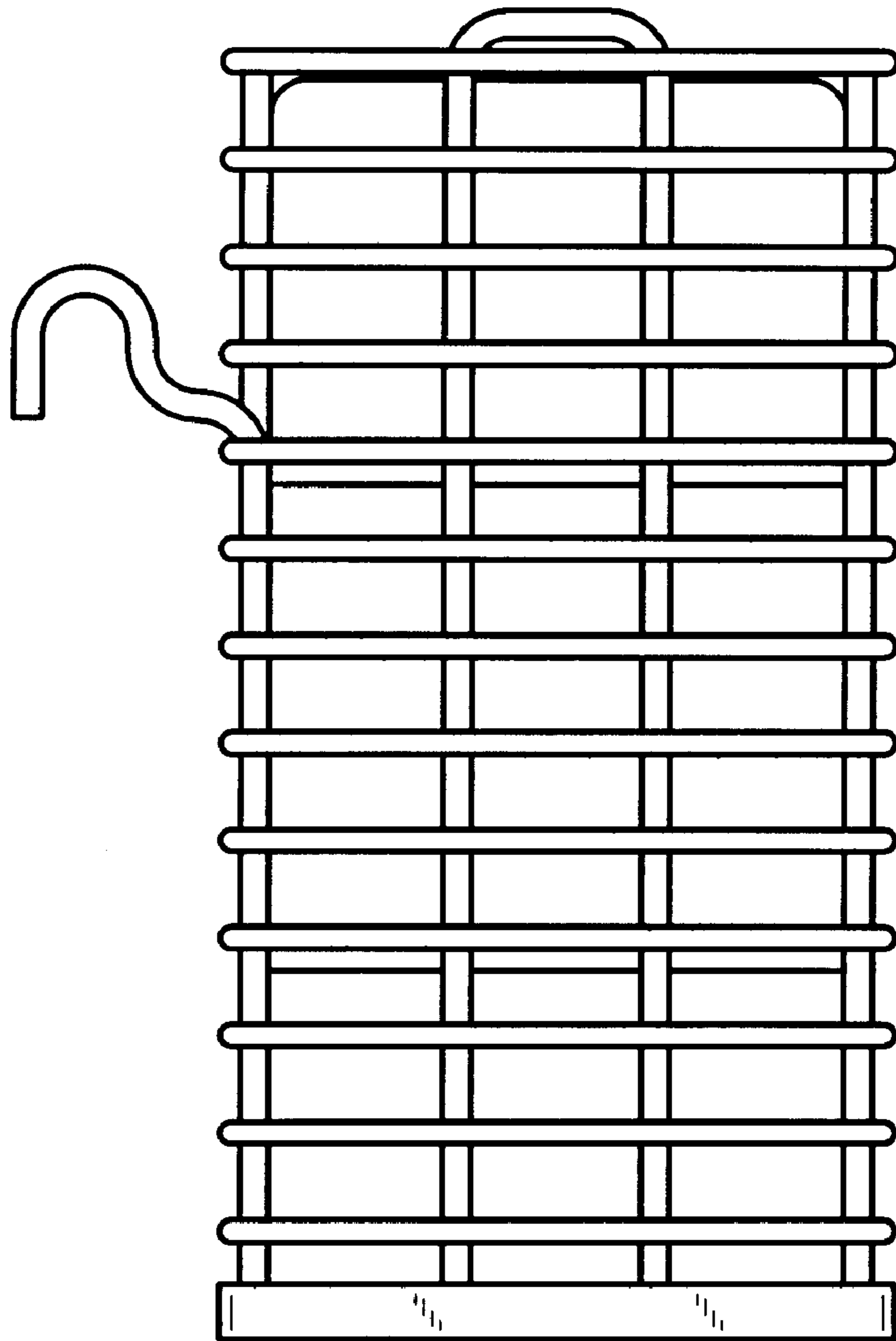


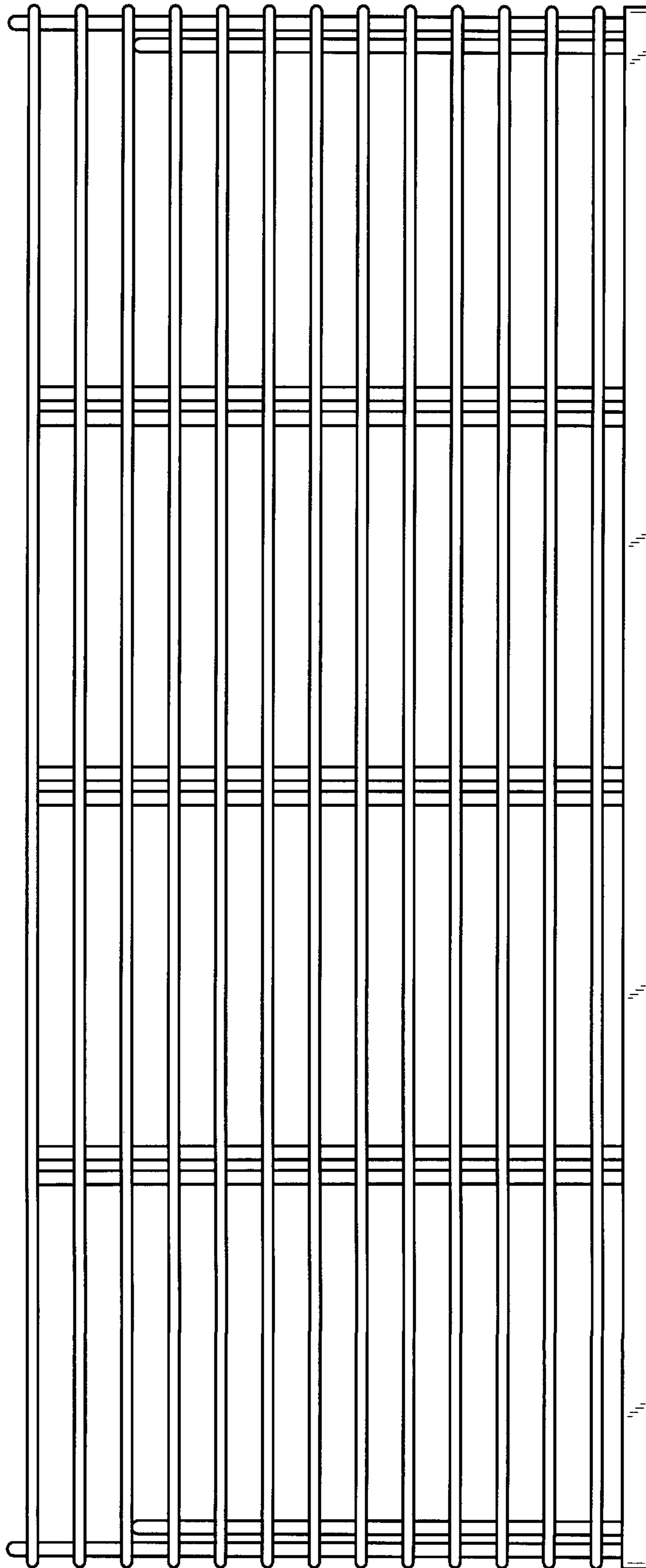
FIG.- 11



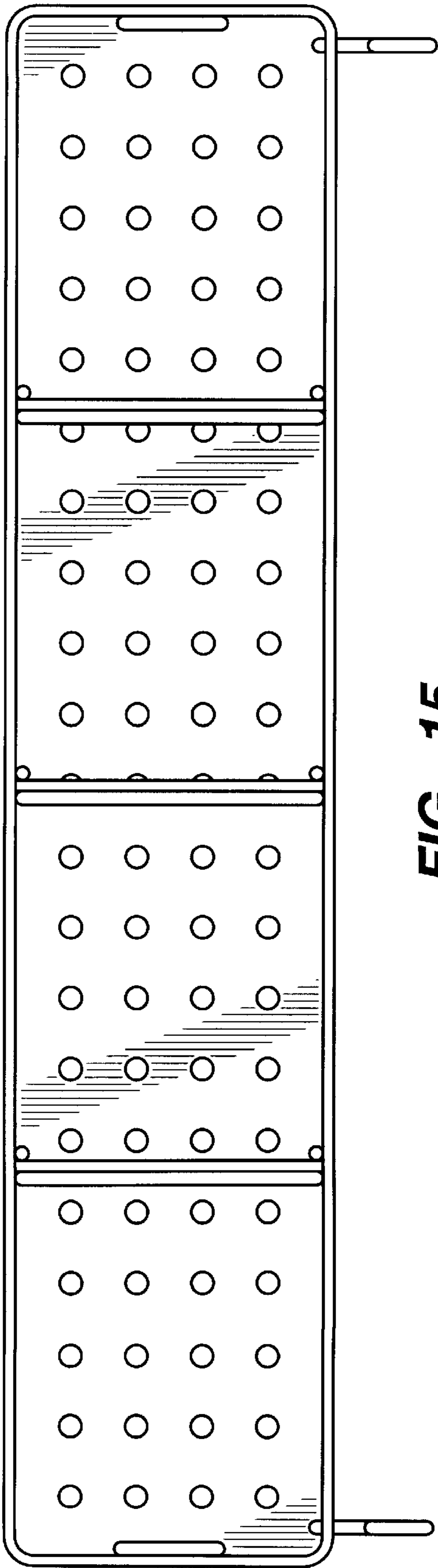
**FIG.- 12**



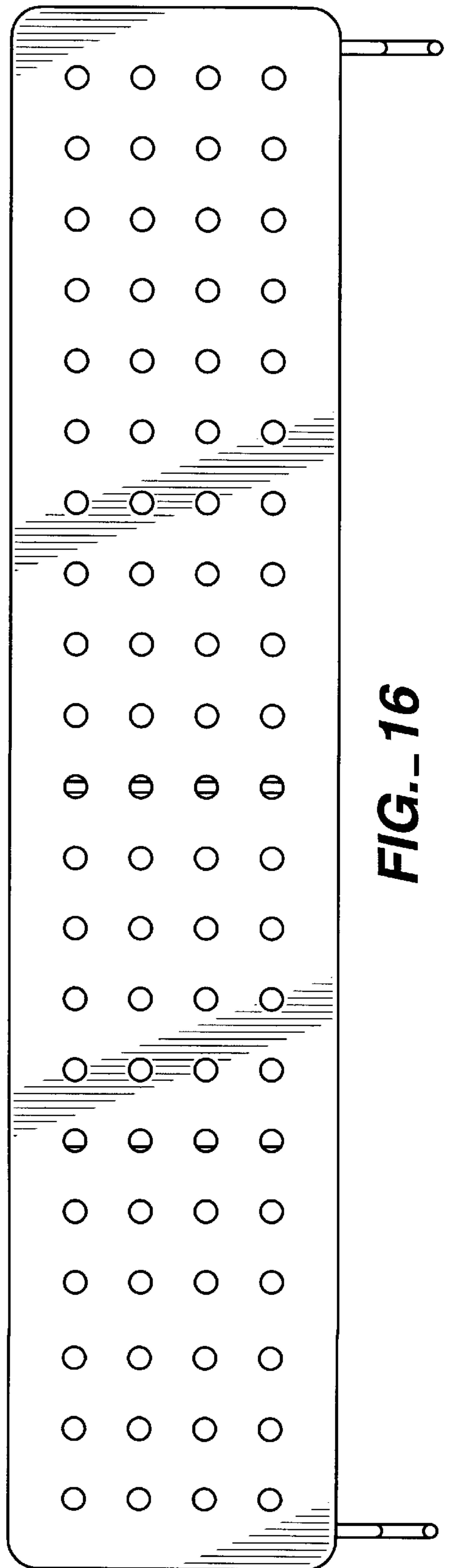
**FIG. 13**



**FIG. 14**



**FIG. 15**



**FIG. 16**