



US00D423159S

# United States Patent [19] Payton, Jr.

[11] **Patent Number: Des. 423,159**

[45] **Date of Patent: \*\* Apr. 18, 2000**

[54] **SCOURING PAD HOLDER**

[75] Inventor: **Martin J. Payton, Jr.**, Blue Bell, Pa.

[73] Assignee: **Precision Metal Services, Inc.**, Colmar, Pa.

[\*\*] Term: **14 Years**

[21] Appl. No.: **29/081,775**

[22] Filed: **Jan. 9, 1998**

[51] **LOC (6) Cl.** ..... **04-01**

[52] **U.S. Cl.** ..... **D32/52; D32/42**

[58] **Field of Search** ..... **D32/35, 40, 42, D32/41, 51, 52; 15/143.1, 145, 147.2, 209.1, 210.1, 121, 111, 244.1, 245; 30/322**

[56] **References Cited**

**U.S. PATENT DOCUMENTS**

2,514,481	7/1950	Ellinger	15/209.1
2,772,430	12/1956	Moritt	15/145
2,980,937	4/1961	Defries	15/209.1
3,199,139	8/1965	Vallis	.
4,244,075	1/1981	Silver	15/145
5,317,779	6/1994	Hoagland	15/111 X
5,426,810	6/1995	Rones	15/145 X

*Primary Examiner*—Susan J. Lucas  
*Assistant Examiner*—Cynthia Ramirez  
*Attorney, Agent, or Firm*—Joseph W. Molasky & Associates

[57] **CLAIM**

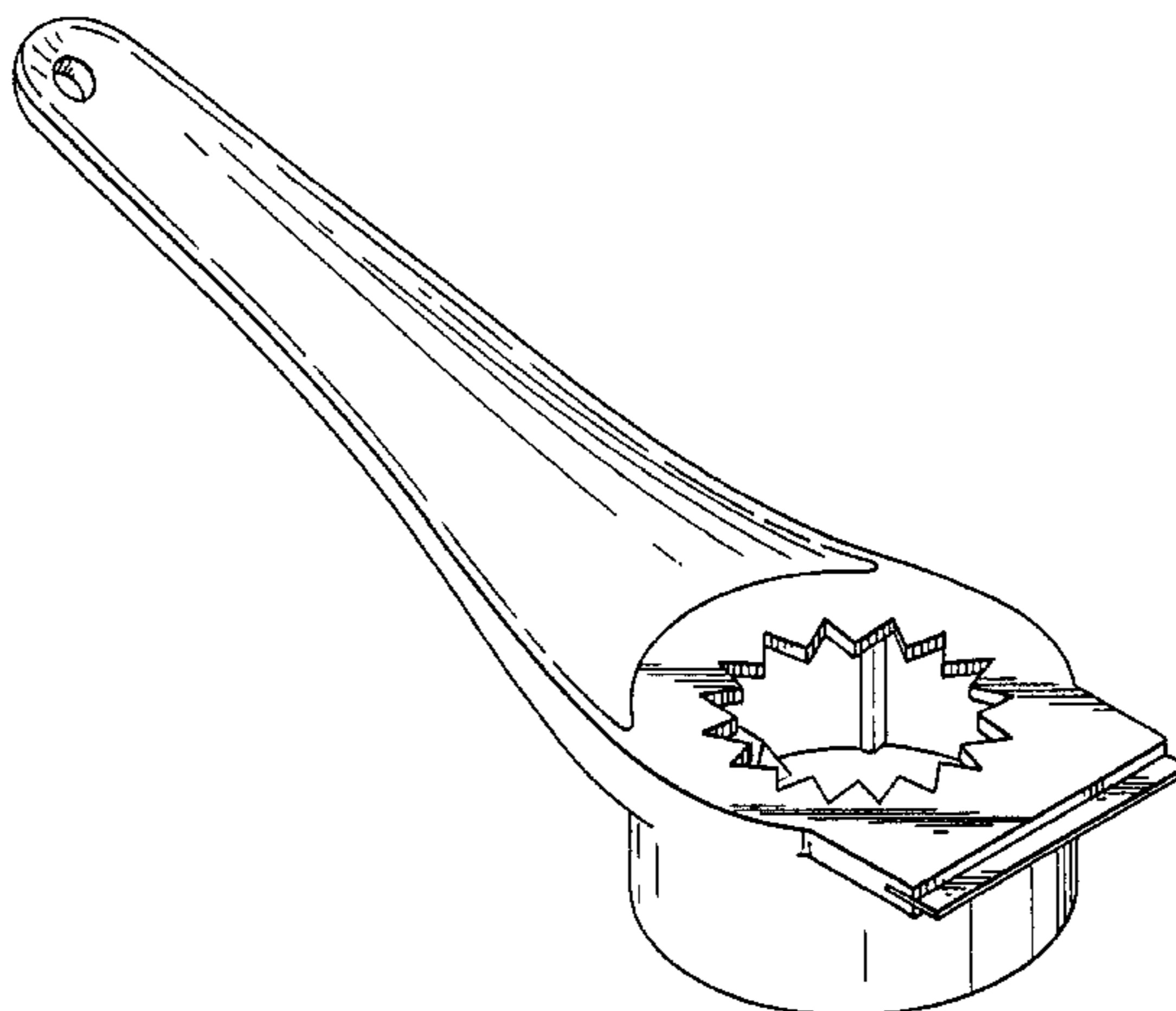
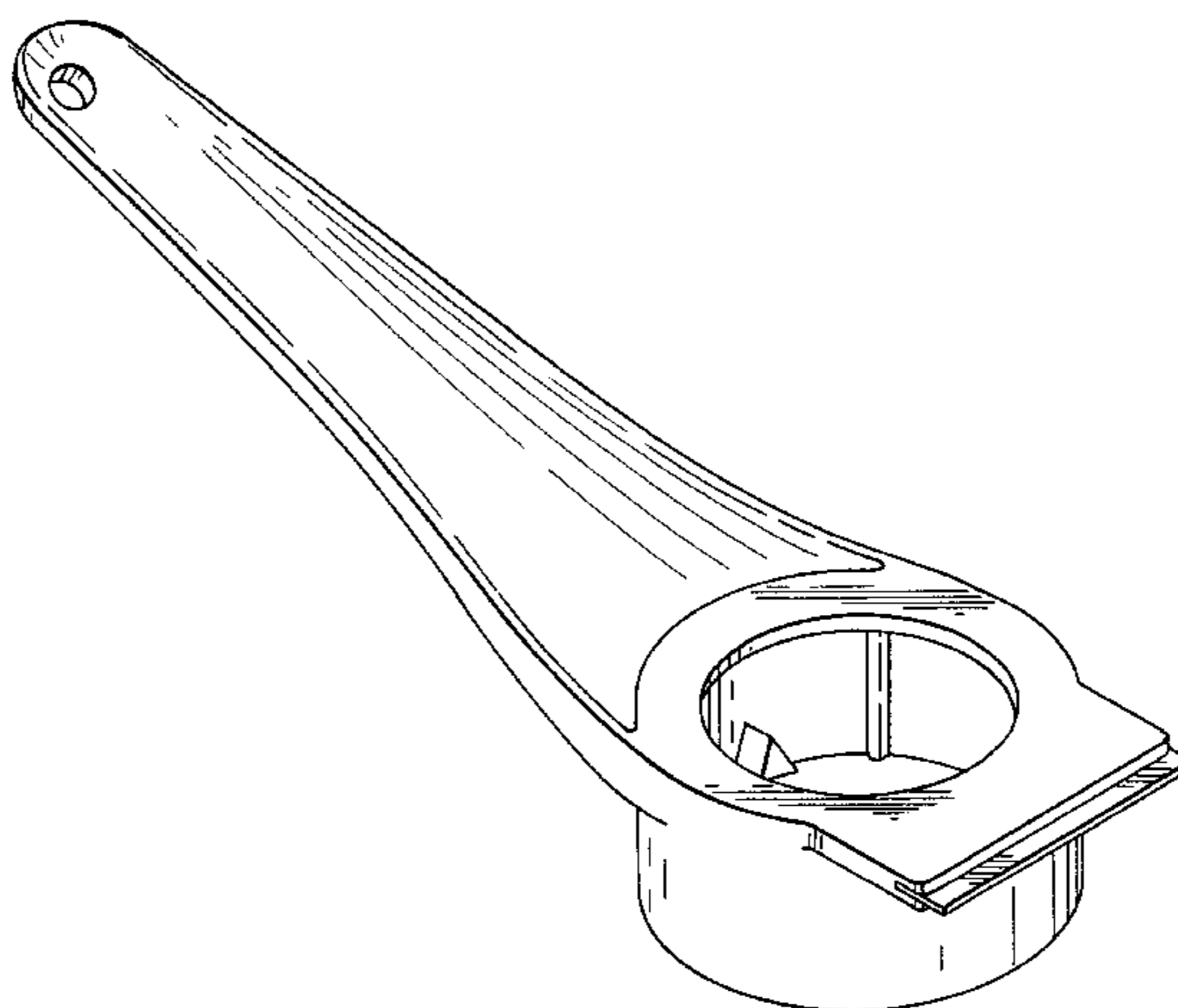
The ornamental design for a scouring pad holder, as shown and described.

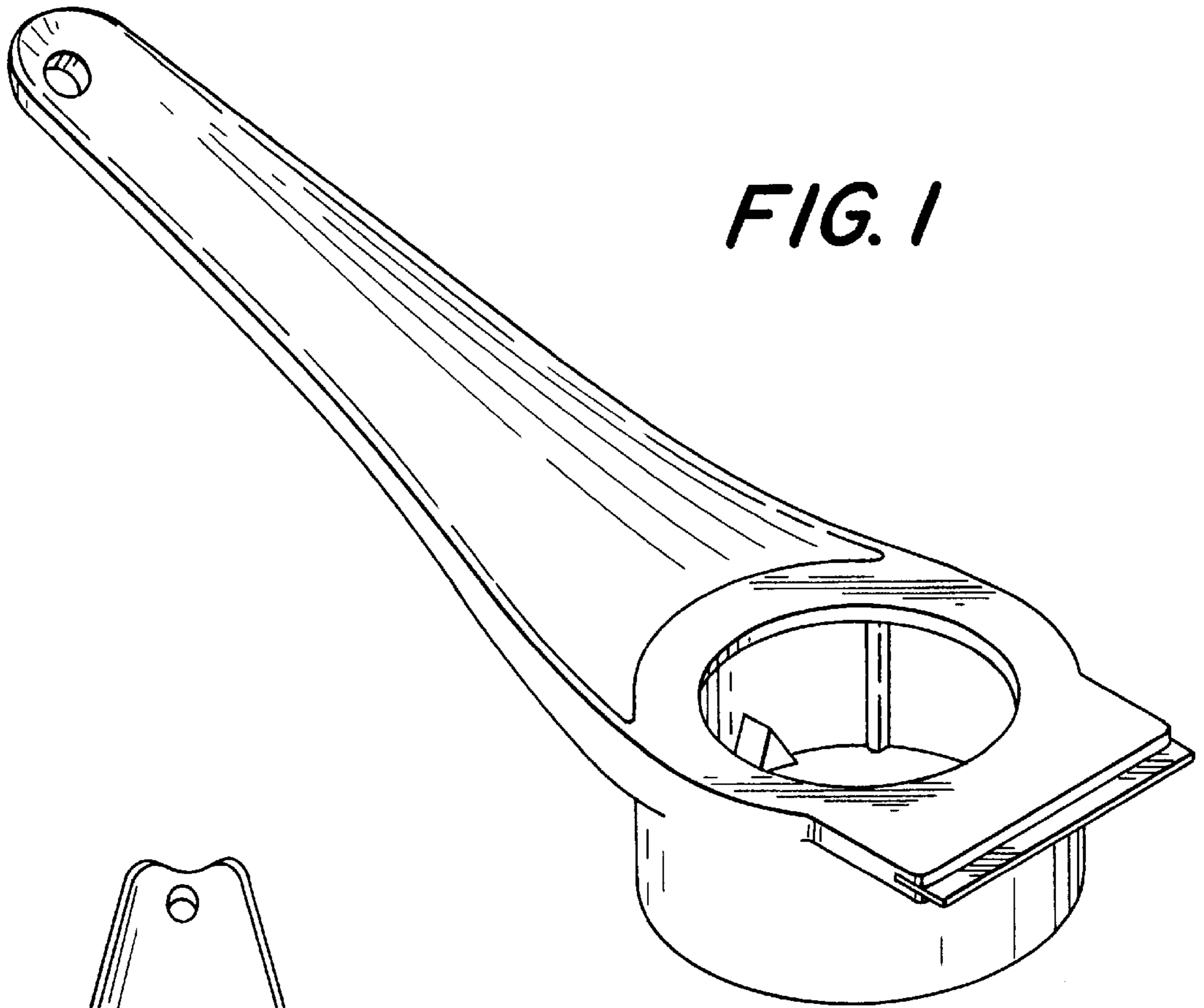
**DESCRIPTION**

FIG. 1 is an isometric view of my new scouring pad holder; FIG. 2 is a top view thereof; FIG. 3 is a bottom view thereof; FIG. 4 is a side elevational view thereof, the opposite side being identical; FIG. 5 is a front elevational view thereof; FIG. 6 is a rear elevational view thereof; FIG. 7 is an isometric view of an alternative embodiment of my new scouring pad holder; and, FIG. 8 is an isometric view of my new scouring pad holder illustrating, in phantom, a scouring pad engaged with my scouring pad holder.

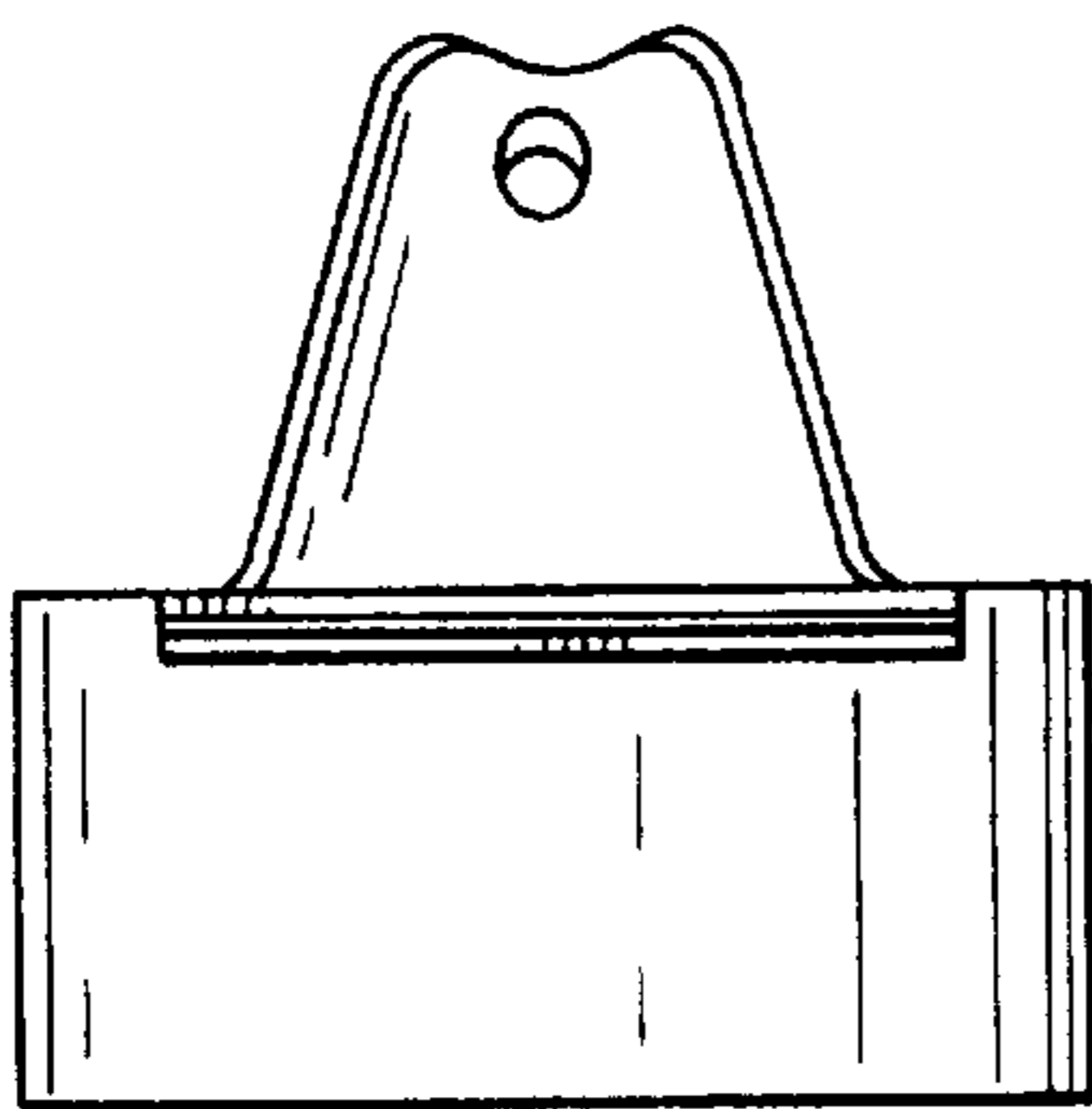
The broken lines showing the scouring pad in FIG. 8 are for illustrative purposes only and form no part of the claimed design.

**1 Claim, 3 Drawing Sheets**

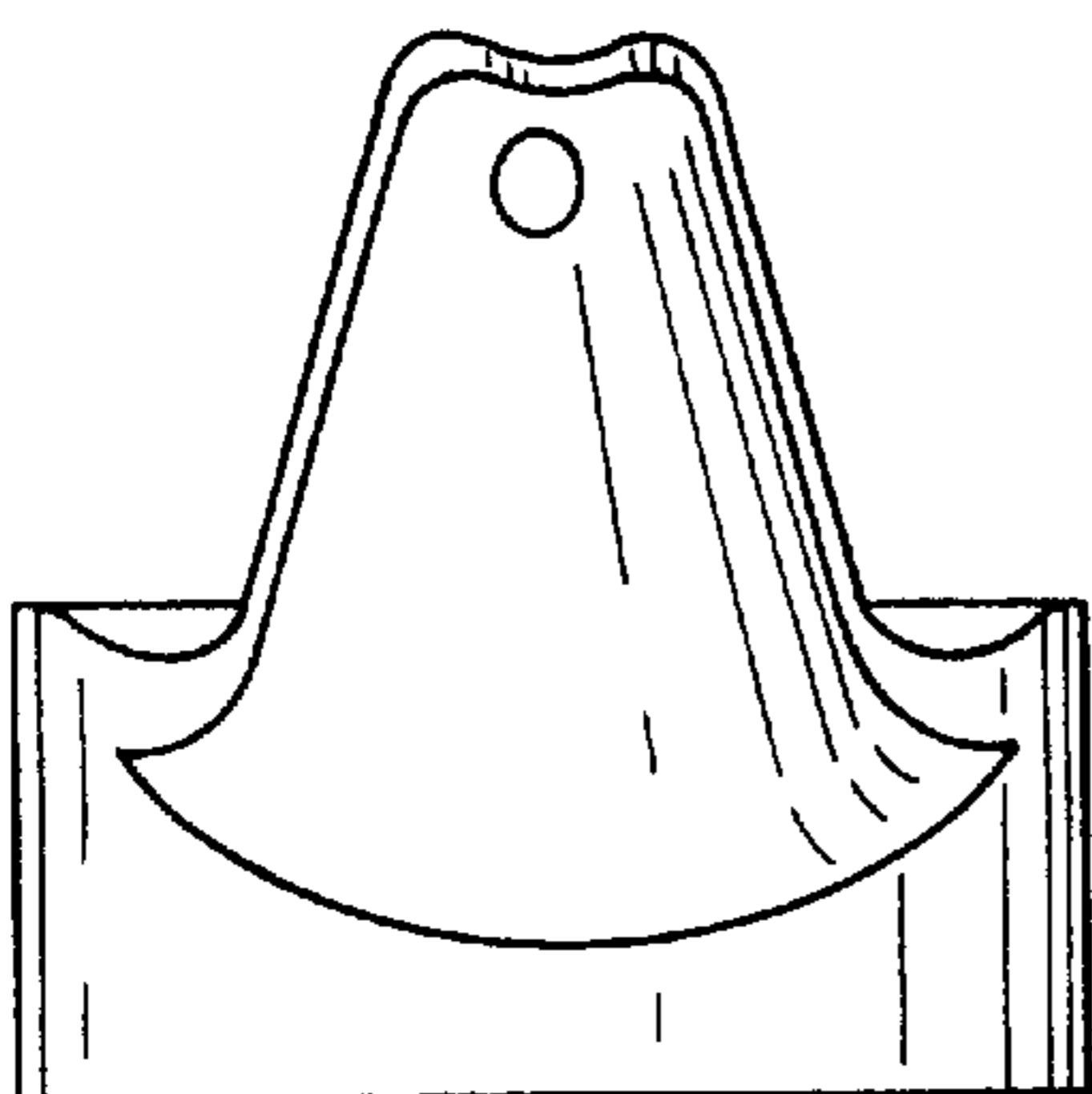




**FIG. 1**

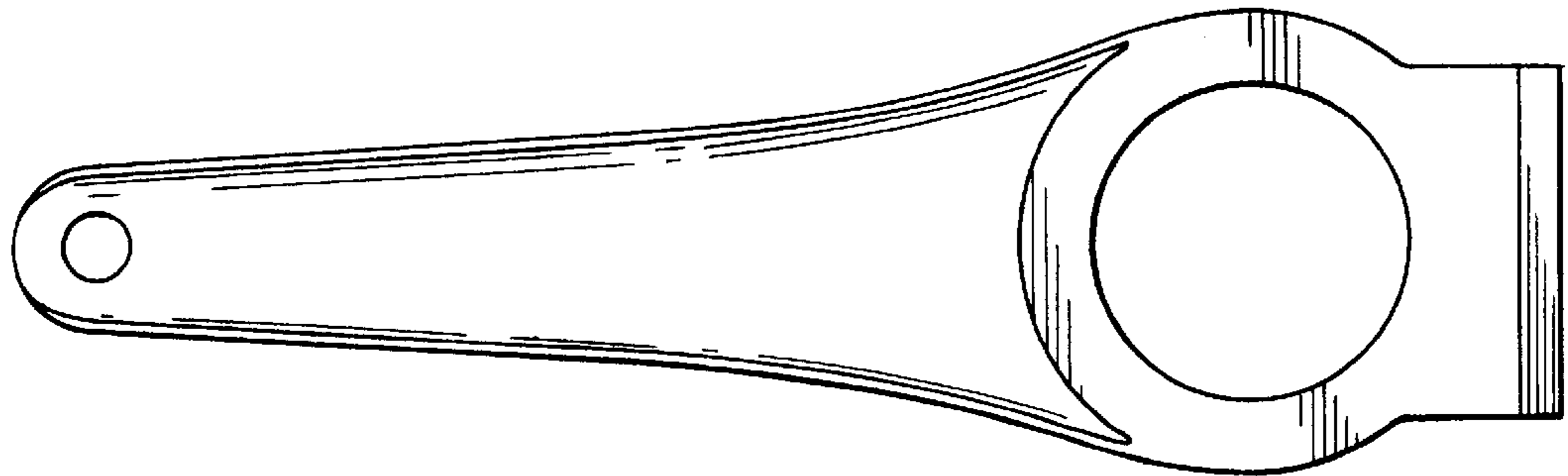


**FIG. 5**

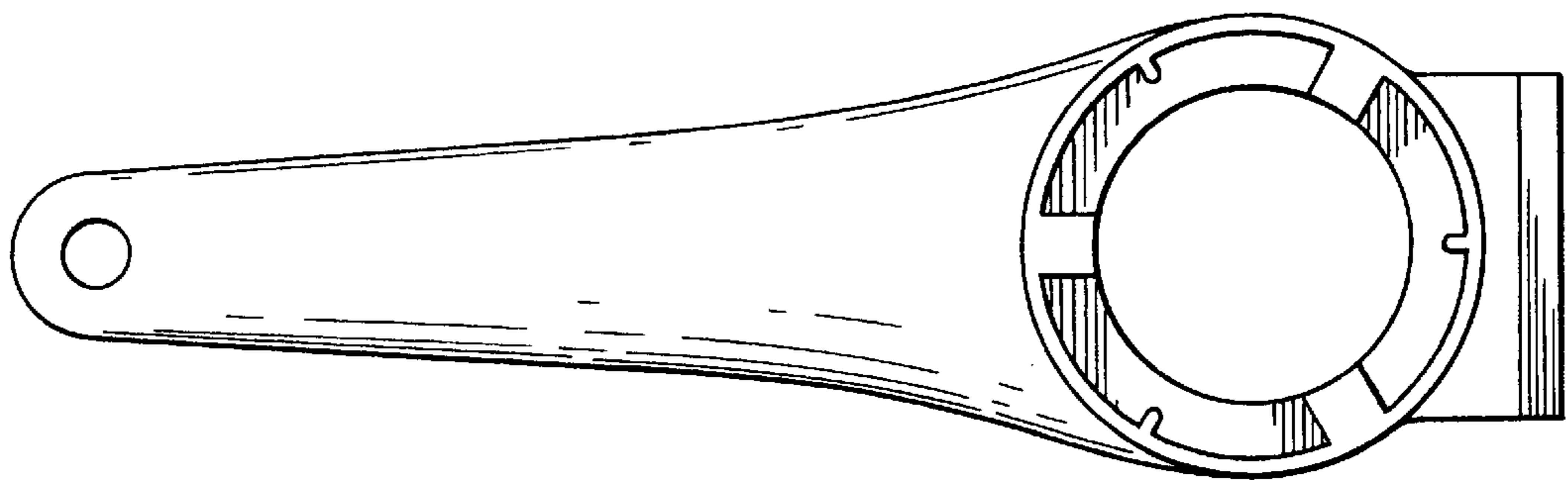


**FIG. 6**

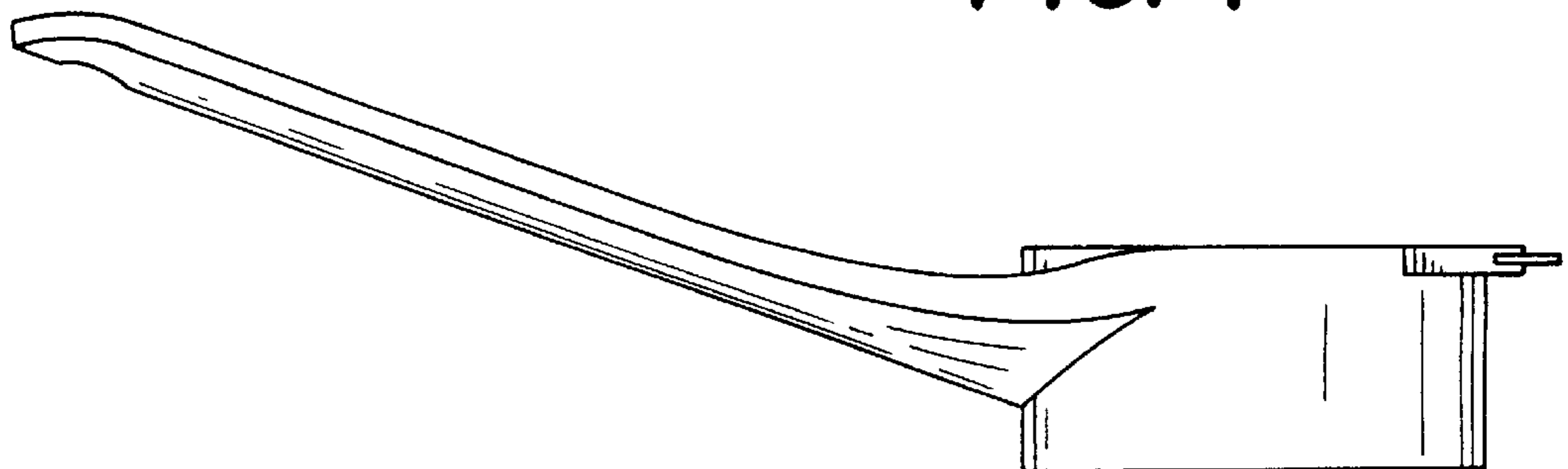
*FIG. 2*

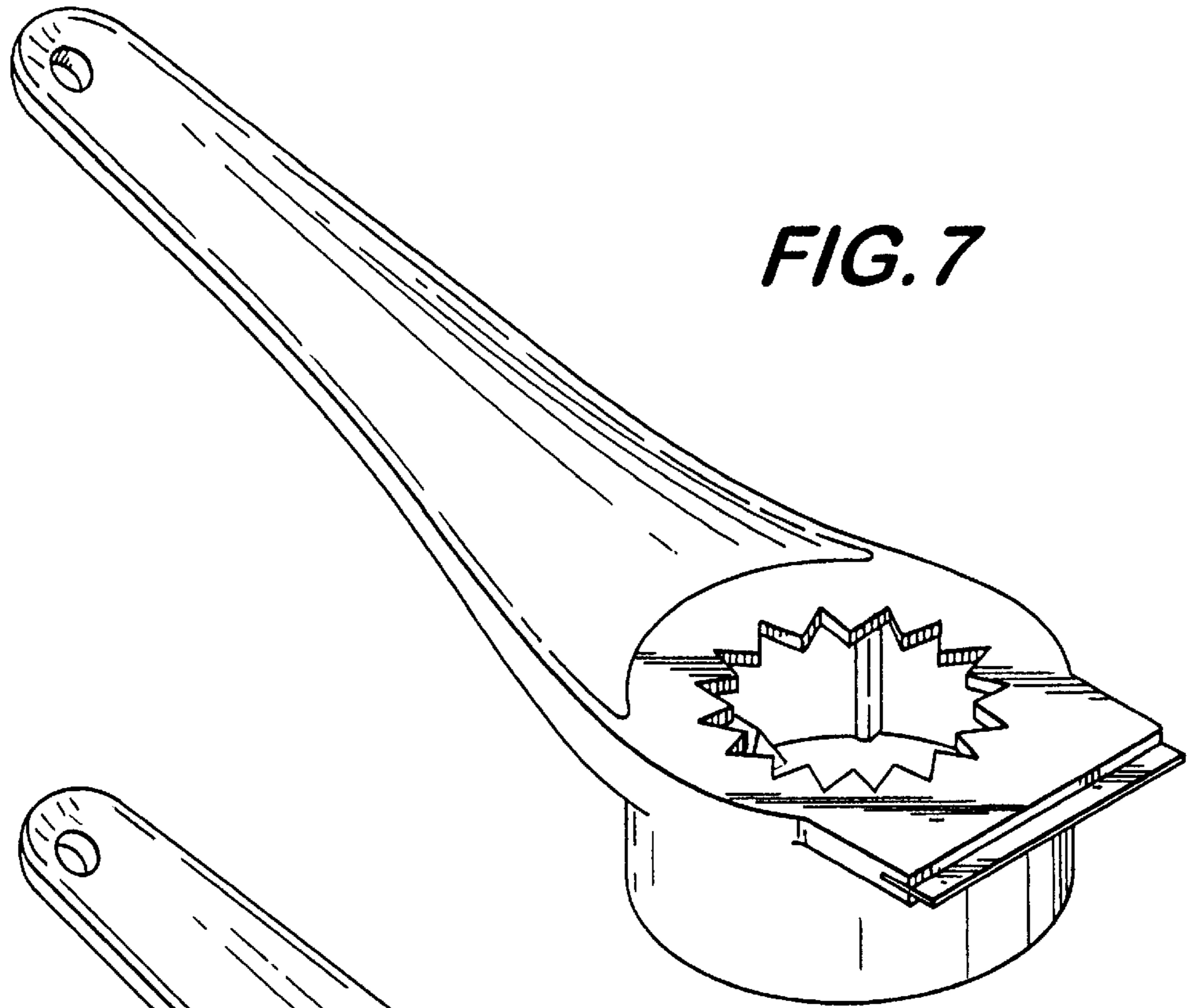


*FIG. 3*

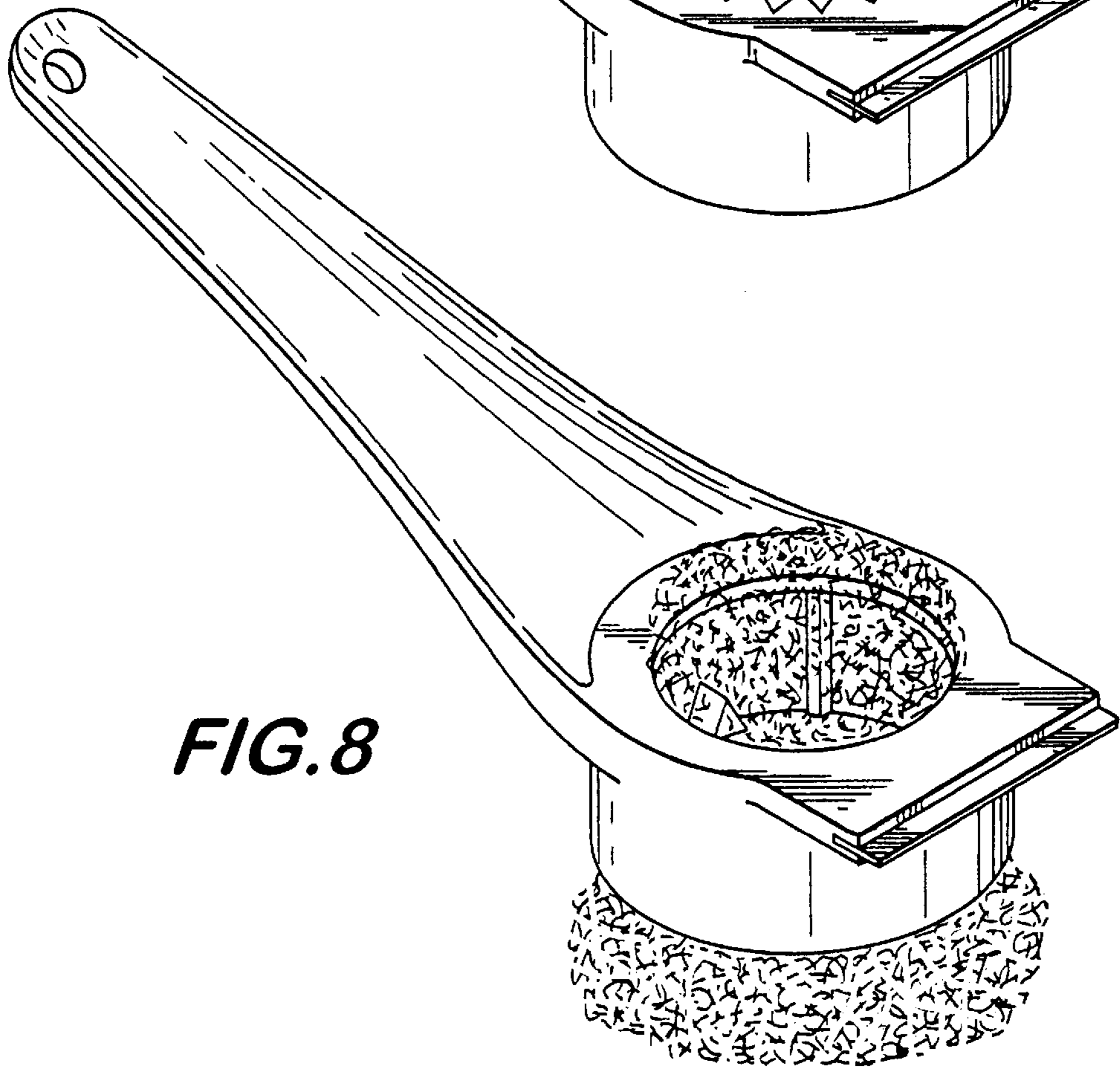


*FIG. 4*





**FIG. 7**



**FIG. 8**