



US00D423158S

United States Patent [19]
La Liberty

[11] **Patent Number: Des. 423,158**

[45] **Date of Patent: ** Apr. 18, 2000**

[54] **VEHICLE WASHING SPONGE**

[76] Inventor: **David E La Liberty**, 73 Fairview St.,
Leominster, Mass. 01453

[**] Term: **14 Years**

[21] Appl. No.: **29/102,125**

[22] Filed: **Mar. 18, 1999**

[51] **LOC (6) Cl.** **04-01**

[52] **U.S. Cl.** **D32/51; D32/50**

[58] **Field of Search** D32/40, 50, 51;
15/116.2, 118, 119.2, 143.1, 145, 147.1,
228, 244.1, 244.2, 244.3, 244.4

[56] **References Cited**

U.S. PATENT DOCUMENTS

D. 287,173	12/1986	Libman	D32/51
D. 358,238	5/1995	Barnett	D32/50
2,537,784	1/1951	Nord	15/147.1 X
3,178,749	4/1965	Heepe	15/244.1
5,177,831	1/1993	Wirth	15/244.3

Primary Examiner—Alan P. Douglas
Assistant Examiner—Lavone D. Tabor

[57] **CLAIM**

The ornamental design for a vehicle washing sponge, as shown and described.

DESCRIPTION

FIG. 1 is a front elevational view of the vehicle washing sponge of the present invention;
FIG. 2 is a back elevational view of the vehicle washing sponge of FIG. 1;
FIG. 3 is a left side elevational view of the vehicle washing sponge of FIG. 1;
FIG. 4 is a right side elevational view of the vehicle washing sponge of FIG. 1;
FIG. 5 is a top plan view of the vehicle washing sponge of FIG. 1; and,
FIG. 6 is a bottom plan view of the vehicle washing sponge of FIG. 1.

The handle is shown broken away in all of the views to indicate determinate length.

1 Claim, 4 Drawing Sheets

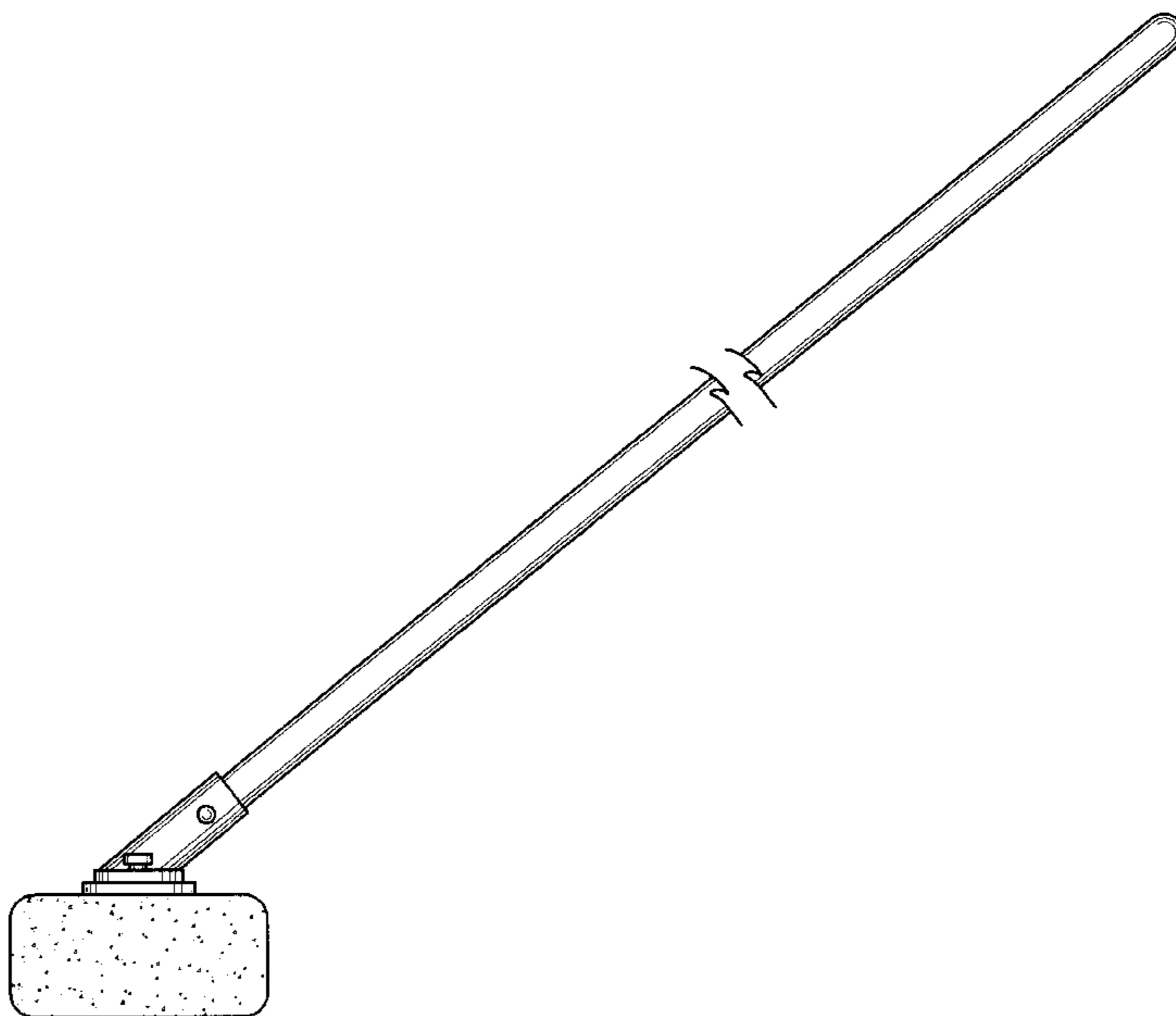
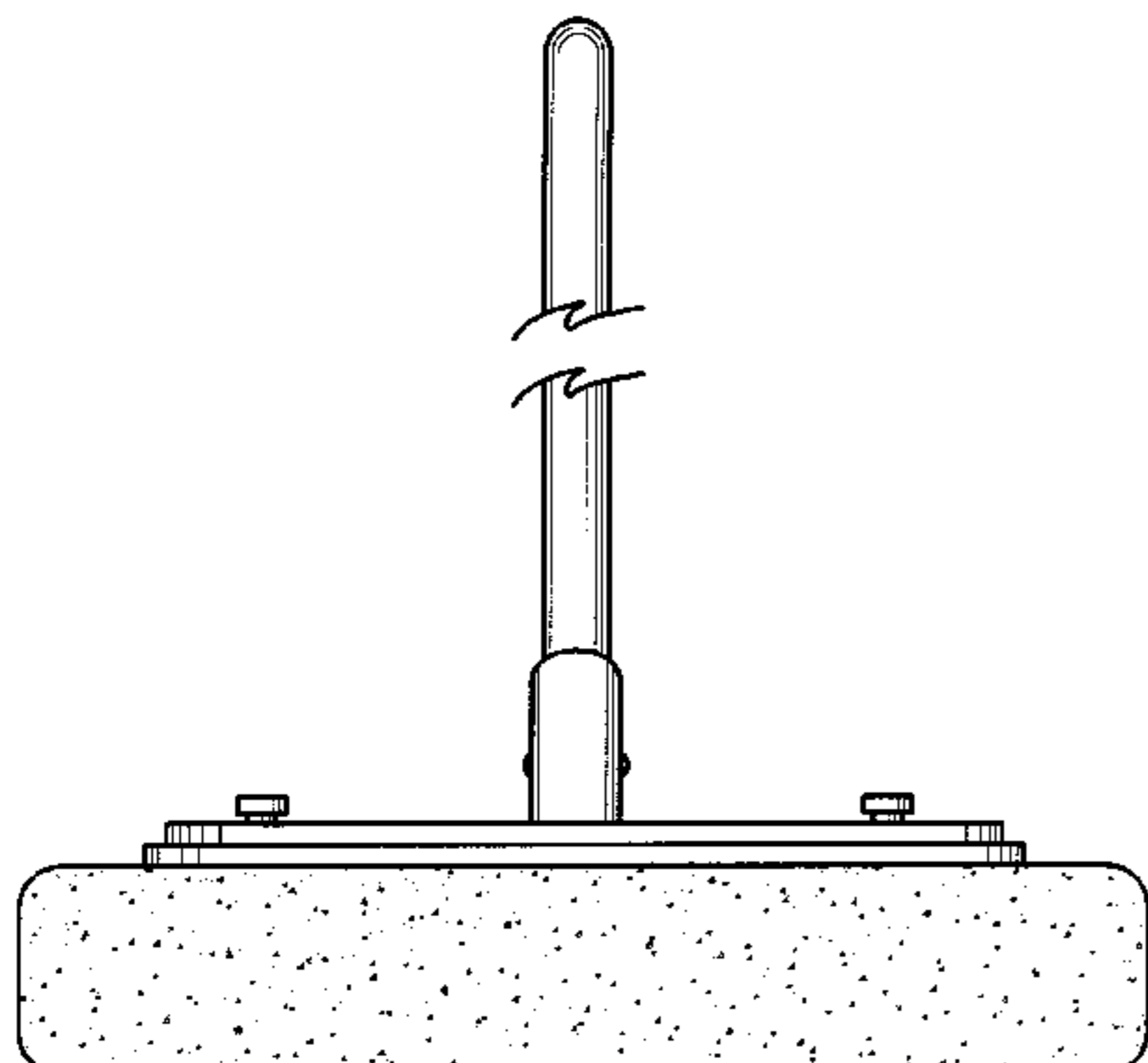


FIG. 1

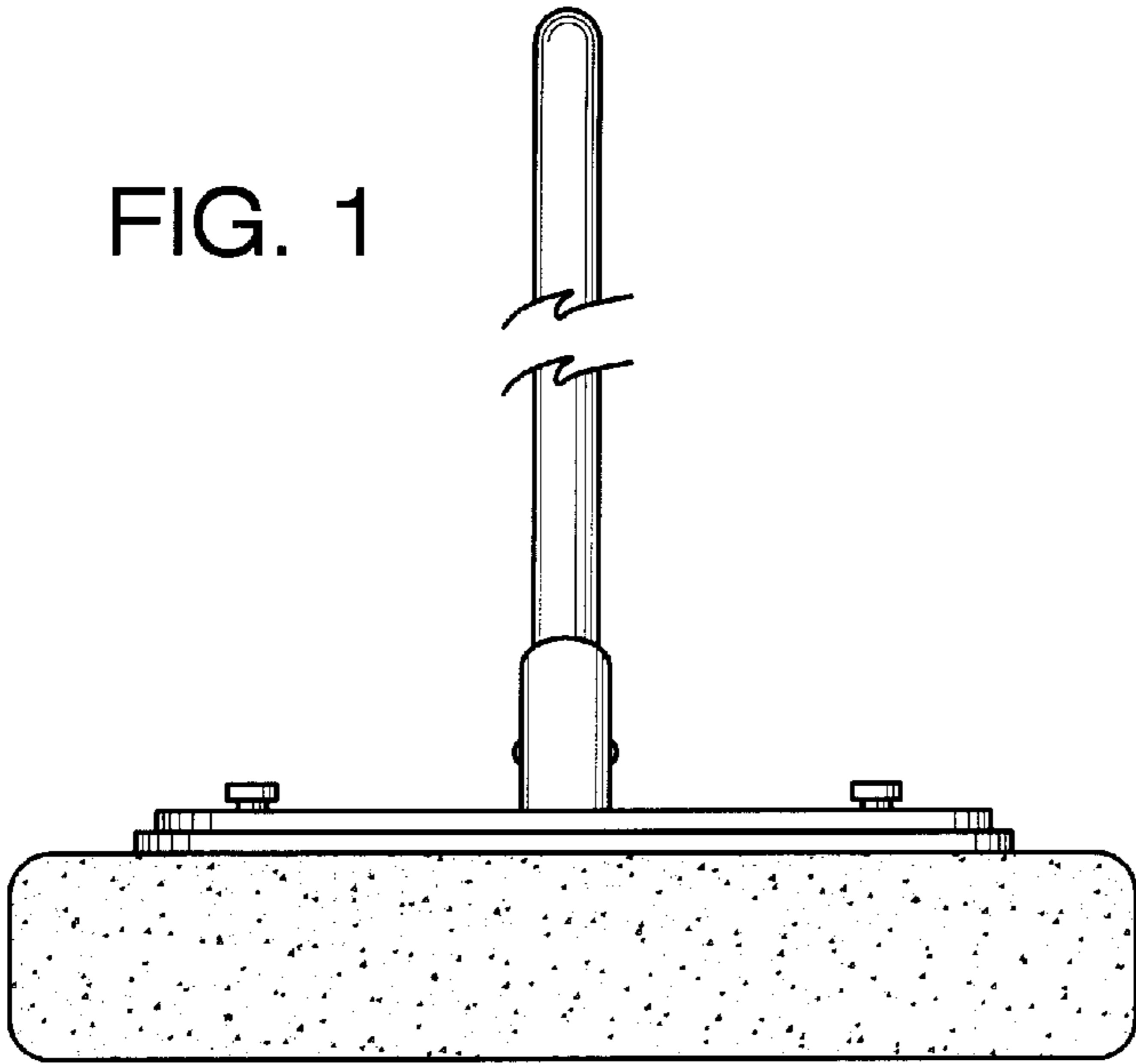
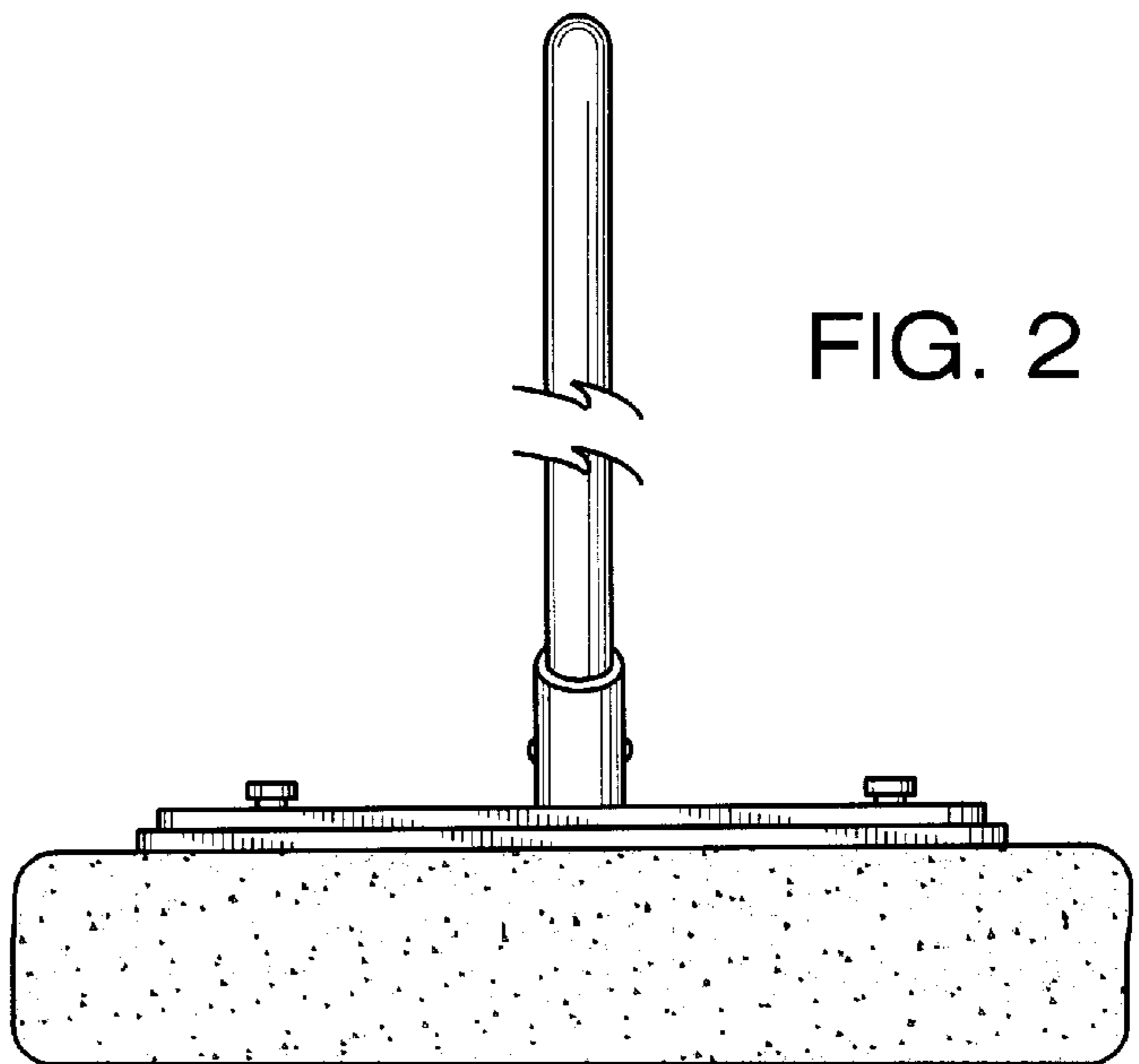


FIG. 2



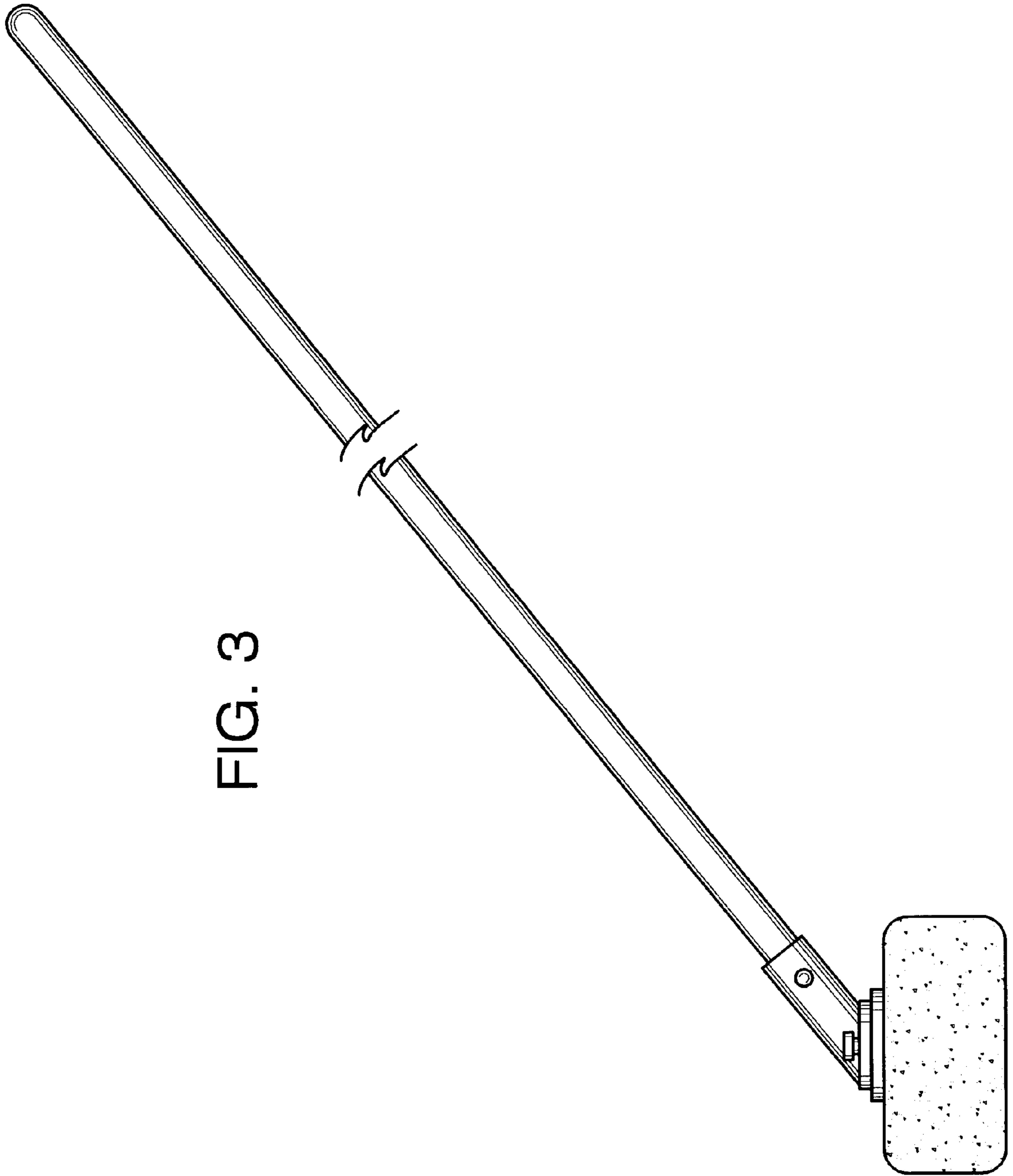
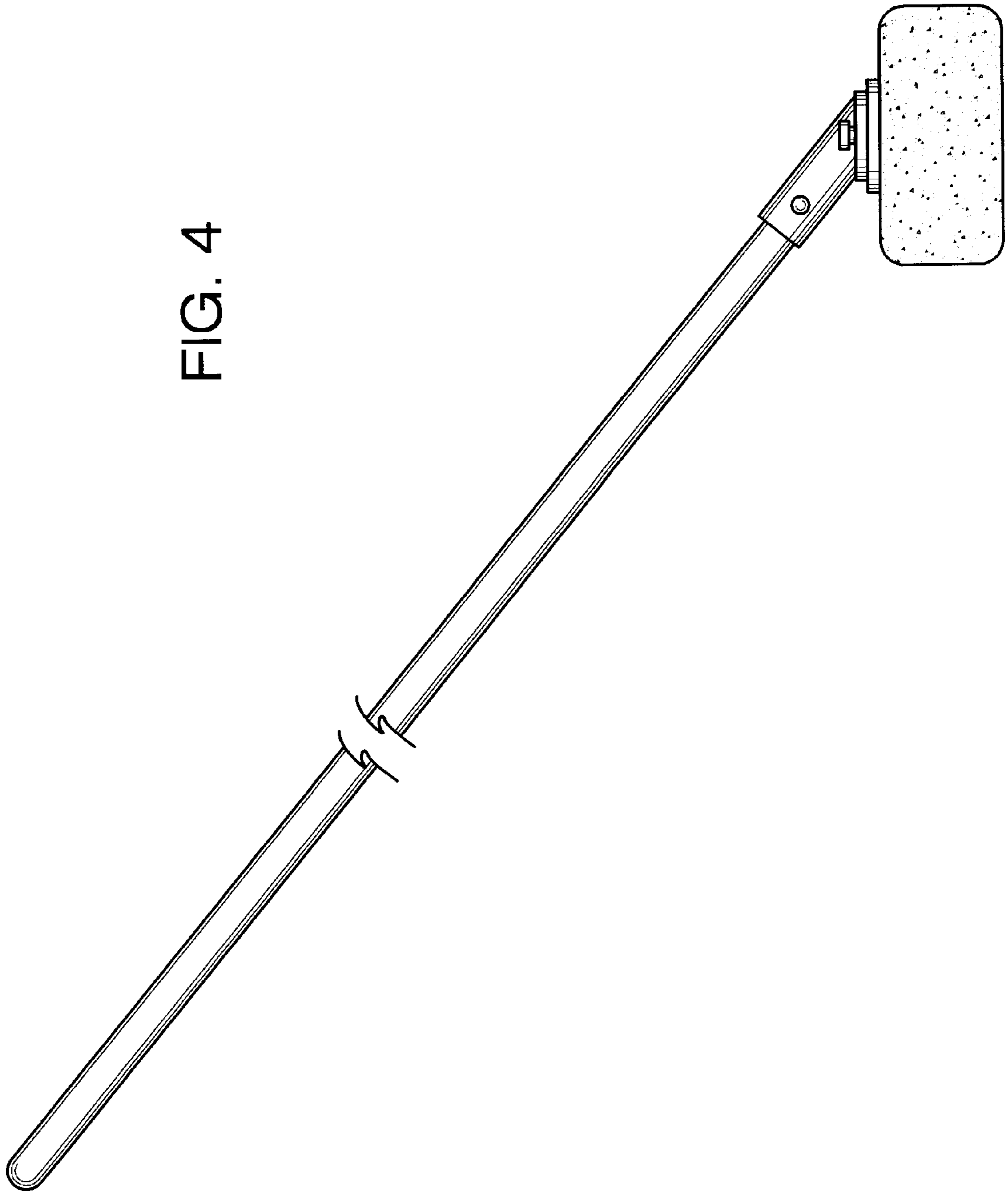


FIG. 3

FIG. 4



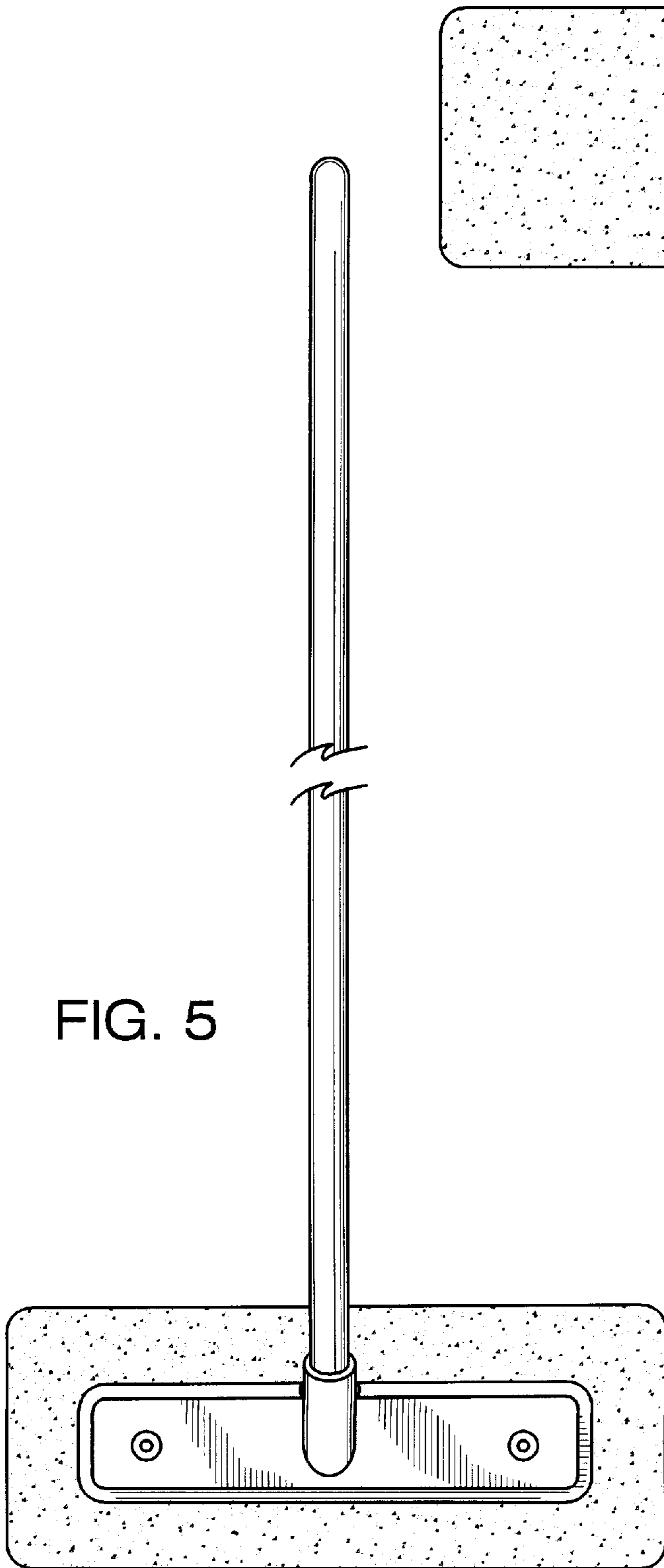


FIG. 5

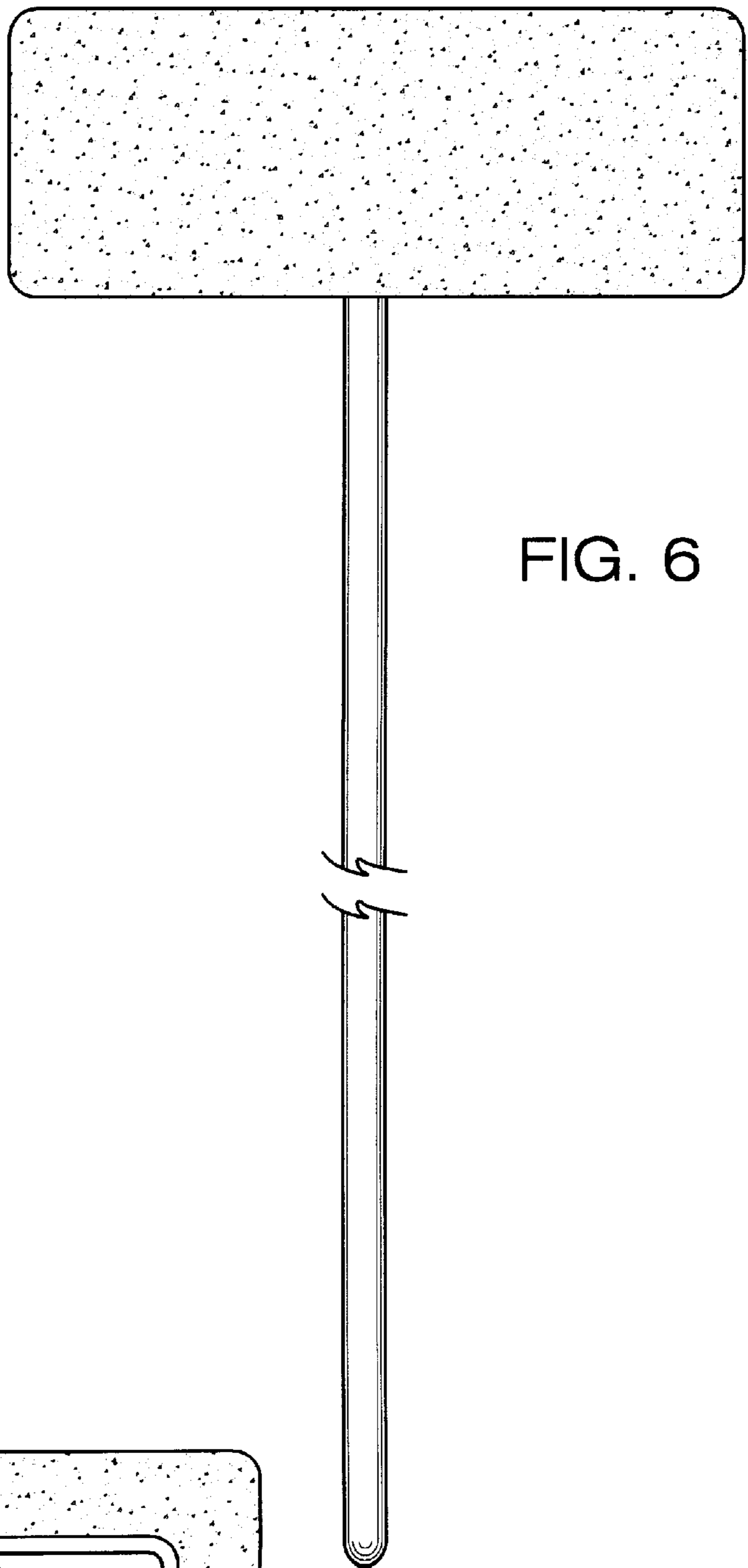


FIG. 6