



US00D423157S

United States Patent [19] Hodges

[11] Patent Number: **Des. 423,157**

[45] Date of Patent: **** *Apr. 18, 2000**

[54] **MOP HEAD**

[75] Inventor: **Michael W. Hodges**, Aurora, Colo.

[73] Assignee: **BonaKemi USA, Inc.**, Aurora, Colo.

[*] Notice: This patent is subject to a terminal disclaimer.

[**] Term: **14 Years**

[21] Appl. No.: **29/097,831**

[22] Filed: **Dec. 11, 1998**

Related U.S. Application Data

[63] Continuation-in-part of application No. 29/085,698, Mar. 27, 1998, Pat. No. Des. 406,932.

[51] **LOC (6) Cl.** **04-01**

[52] **U.S. Cl.** **D32/40; D32/50**

[58] **Field of Search** D4/199; D32/40, D32/50-52; 15/116.2, 119.2, 146, 147.1, 147.2, 176.1, 208, 209.1, 220.1, 228, 229.6, 229.7, 231

[56] References Cited

U.S. PATENT DOCUMENTS

D. 368,561 4/1996 Hodges et al. D32/50

D. 406,932	3/1999	Hodges	D32/50
3,792,505	2/1974	Saltzstein	15/231
4,580,307	4/1986	Moss	15/147.1
4,852,210	8/1989	Krajicek	15/224
5,419,015	5/1995	Garcia	15/228
5,603,138	2/1997	Bonis	15/231 X

Primary Examiner—Alan P. Douglas
Assistant Examiner—Lavon D. Tabor
Attorney, Agent, or Firm—Klaas, Law, O’Meara & Malkin, P.C.; William P. O’Meara, Esq.

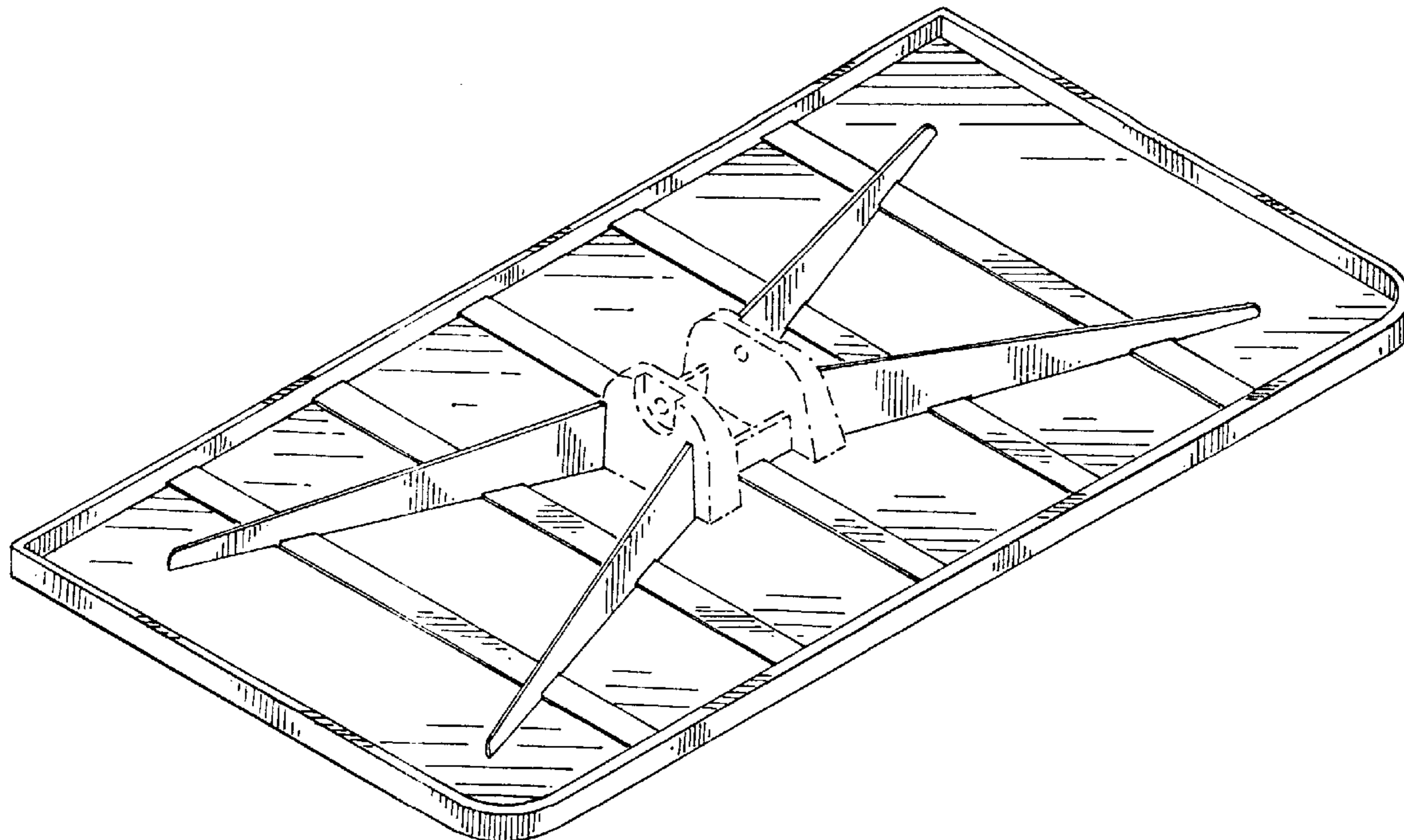
[57] CLAIM

The ornamental design for a mop head, as shown and described.

DESCRIPTION

FIG. 1 is a perspective view of a mop head showing my new design;
FIG. 2 is a top plan view thereof;
FIG. 3 is a bottom plan view;
FIG. 4 is front, elevation view;
FIG. 5 is a rear, elevation view;
FIG. 6 is a right side elevation view of which the left side elevation view is a mirror image; and,
FIG. 7 is a cross-sectional elevation view taken along the central longitudinal axis of the mop head and facing forwardly.

1 Claim, 2 Drawing Sheets



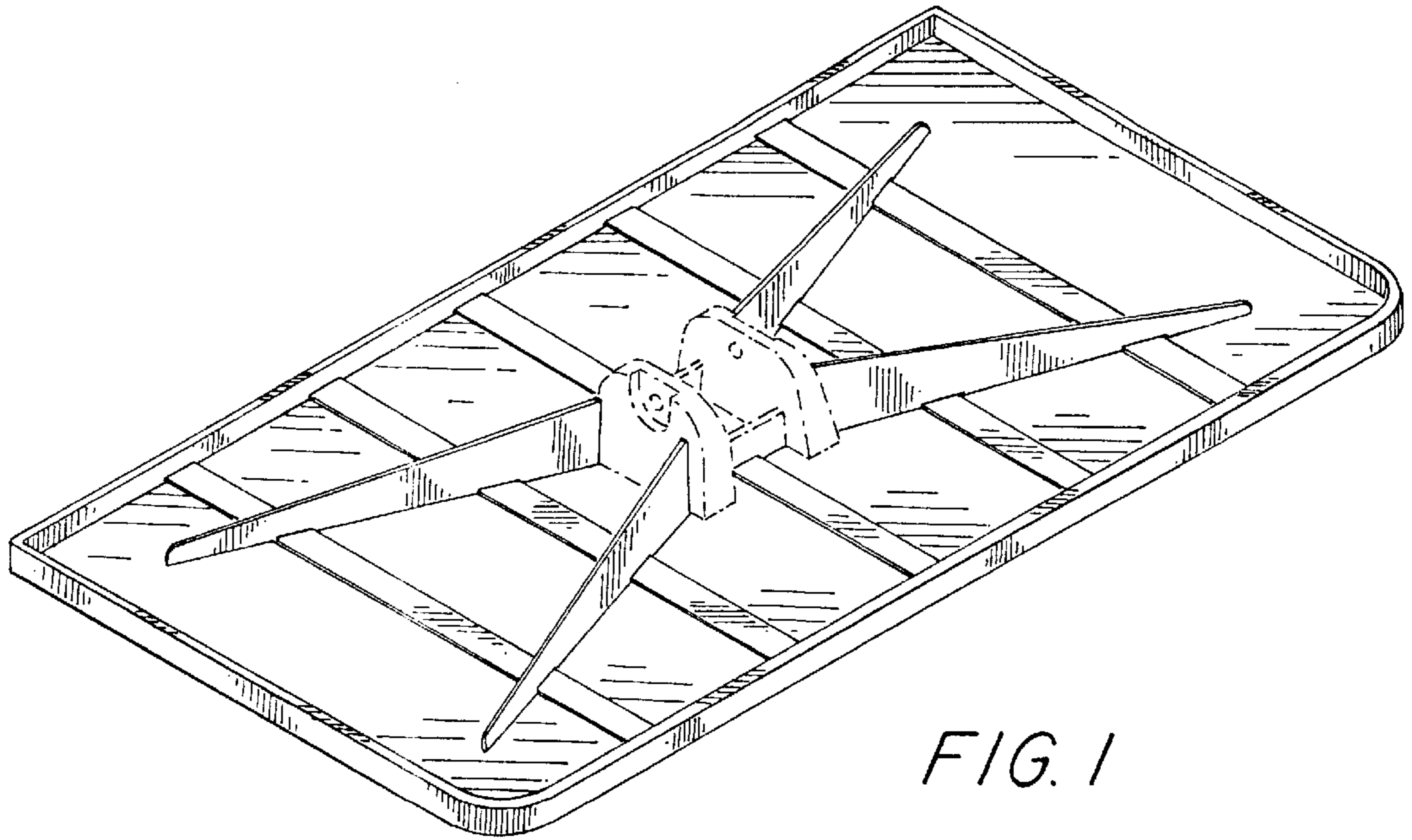


FIG. 1

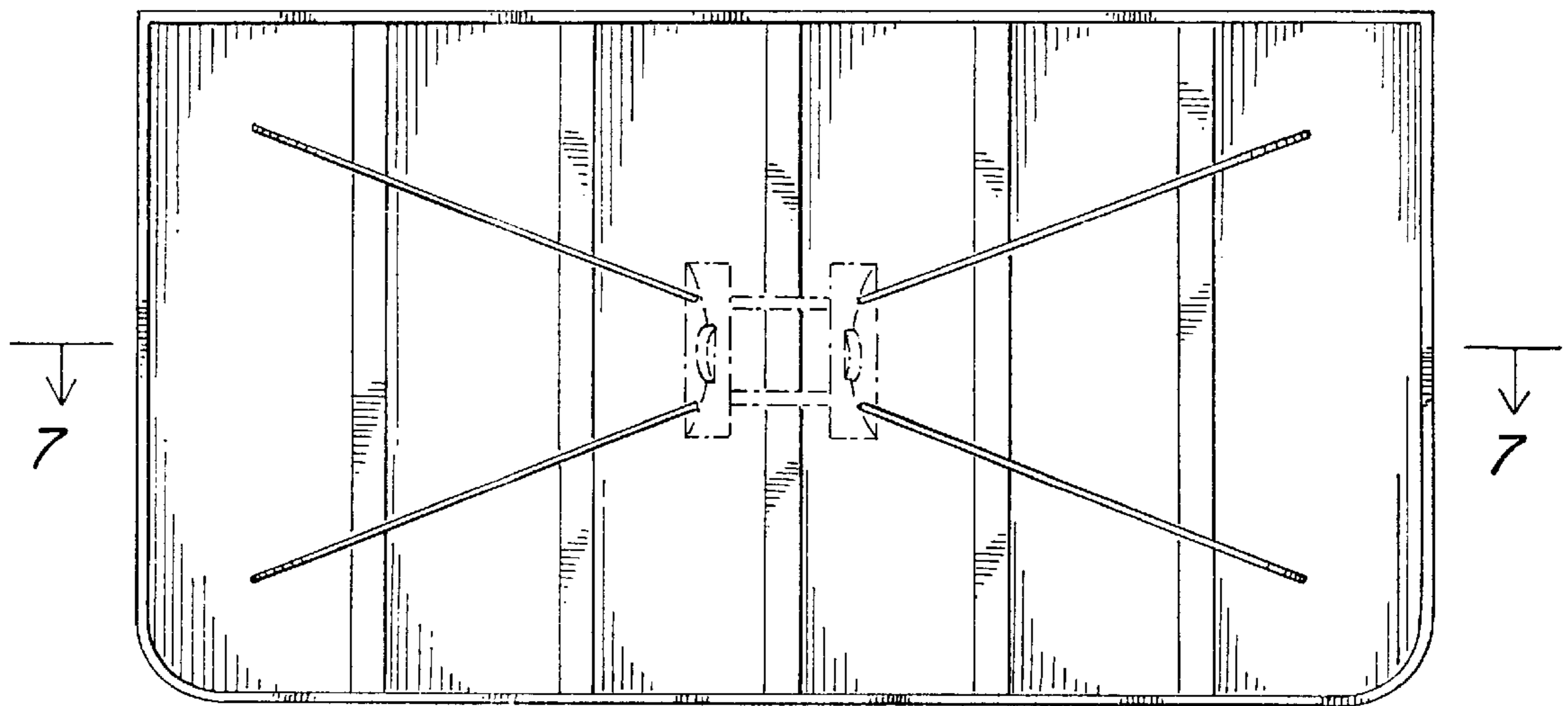


FIG. 2

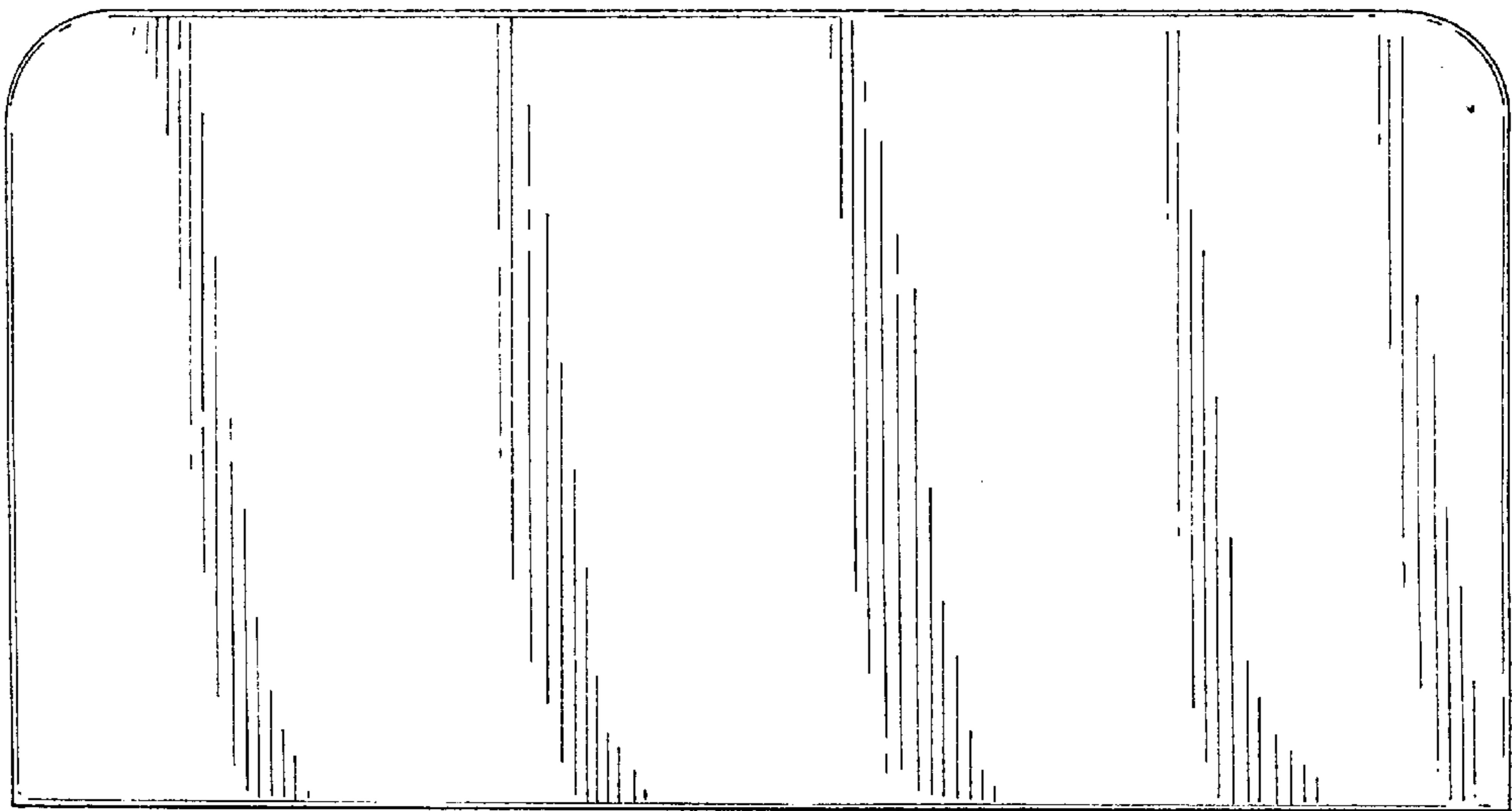


FIG. 3



FIG. 4



FIG. 5



FIG. 6

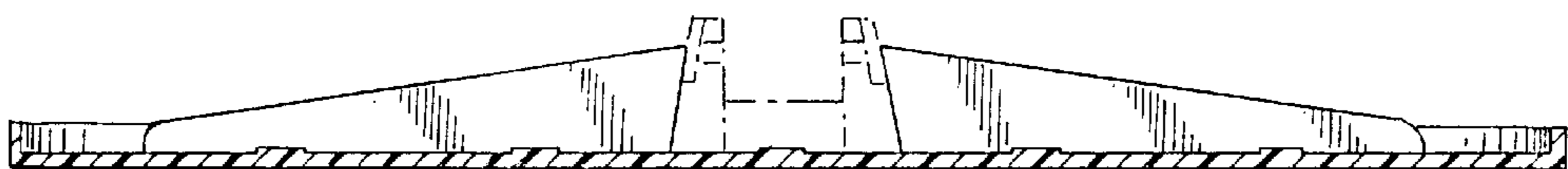


FIG. 7