



US00D423155S

United States Patent [19]

Paynter et al.

[11] Patent Number: **Des. 423,155**

[45] Date of Patent: **** Apr. 18, 2000**

[54] **INFUSER FOR VACUUM CLEANER FAN ASSEMBLY**

[75] Inventors: **Charles P. Paynter**, Danville, Ky.;
Yuichi Shimizu, Shiga, Japan

[73] Assignee: **Matsushita Electric Corporation of America**, Danville, Ky.

[**] Term: **14 Years**

[21] Appl. No.: **29/085,416**

[22] Filed: **Mar. 23, 1998**

[51] **LOC (6) Cl.** **15-05**

[52] **U.S. Cl.** **D32/31**

[58] **Field of Search** D32/31, 21, 23,
D32/24, 25, 30; 15/323, 325, 326, 327.1,
327.2, 321, 347, 353, 422.2, 314, 301,
341, 342, 377, 332; 55/437; 96/64; 123/41.65;
D23/370, 371, 377, 379; 416/170 R, 146 R

[56] **References Cited**

U.S. PATENT DOCUMENTS

D. 396,276 7/1998 Horng D23/370

2,175,641	10/1939	Replogle	230/117
4,798,613	1/1989	Hetherington et al.	95/267
4,829,625	5/1989	Wang	15/422.2
4,905,343	3/1990	Jailor	15/328
4,996,737	3/1991	Madru, Sr.	15/366
5,134,752	8/1992	Shipman	15/412
5,168,599	12/1992	Williams	15/346

Primary Examiner—Ruth McInroy
Attorney, Agent, or Firm—King and Schickli

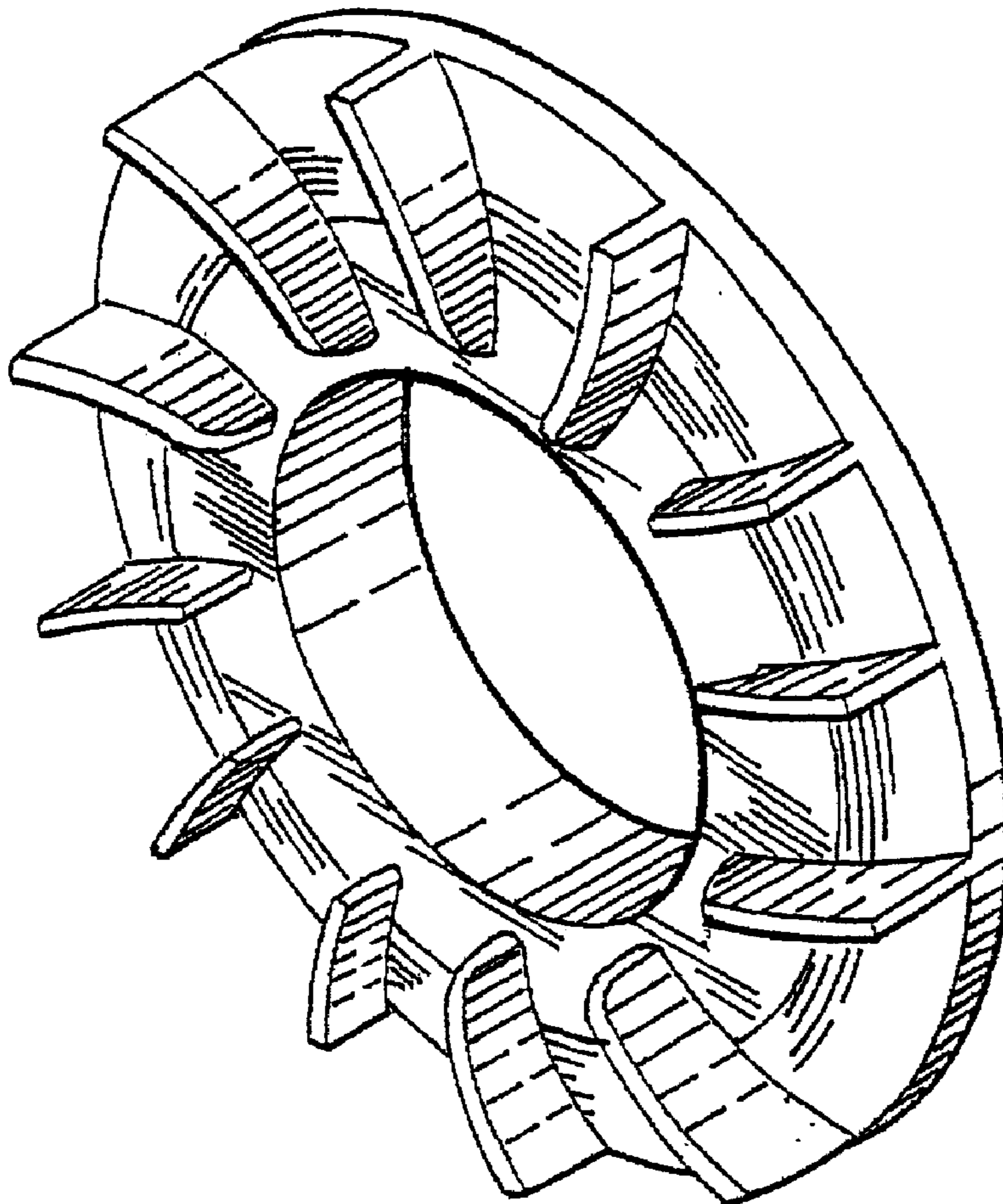
[57] **CLAIM**

The ornamental design of an infuser for vacuum cleaner fan assembly, as shown and described.

DESCRIPTION

FIG. 1 is a perspective view of the infuser for vacuum cleaner fan assembly showing our new design;
FIG. 2 is a front elevational view thereof;
FIG. 3 is a side elevational view thereof; and,
FIG. 4 is a rear elevational view thereof.

1 Claim, 1 Drawing Sheet



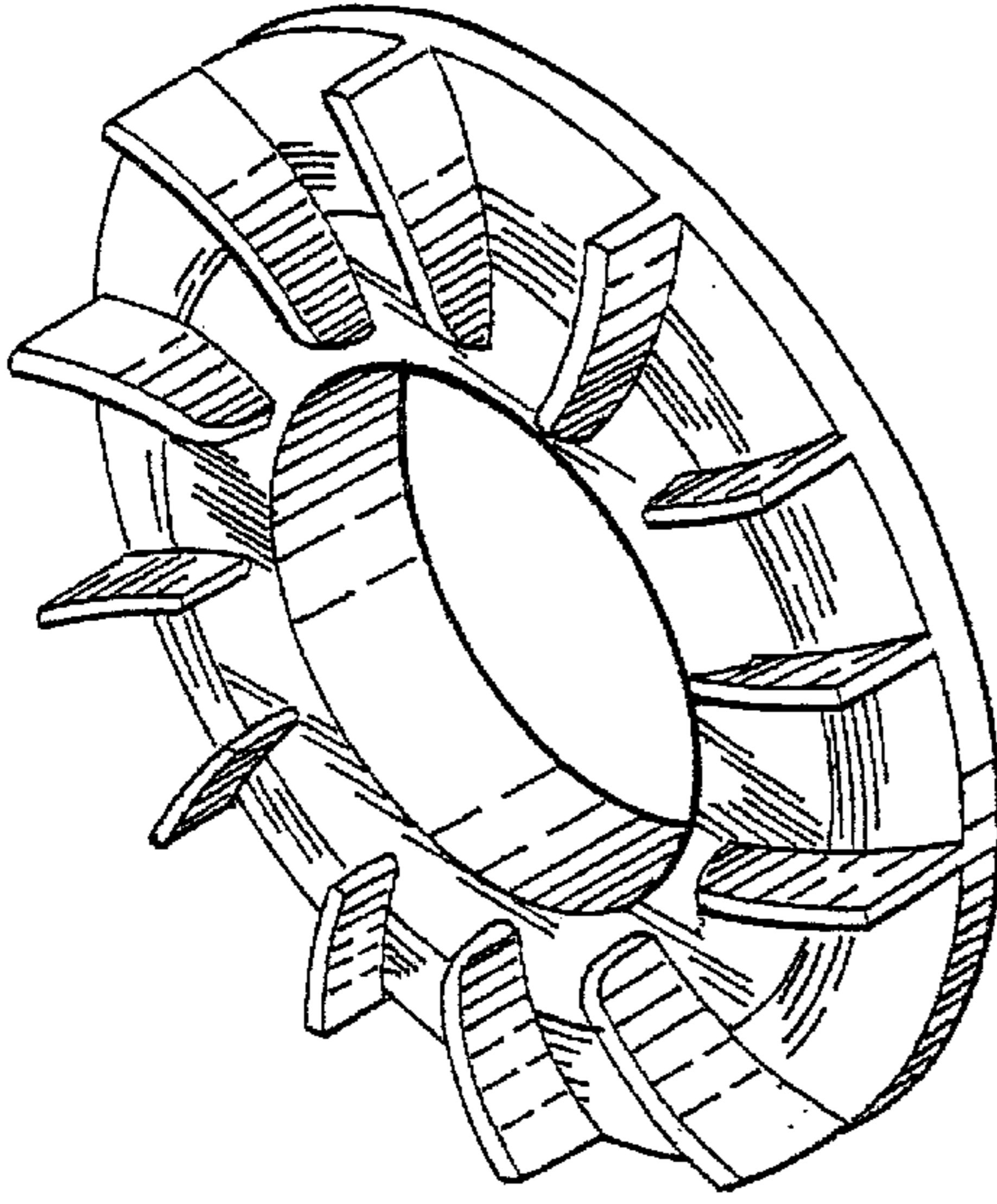


Fig. 1

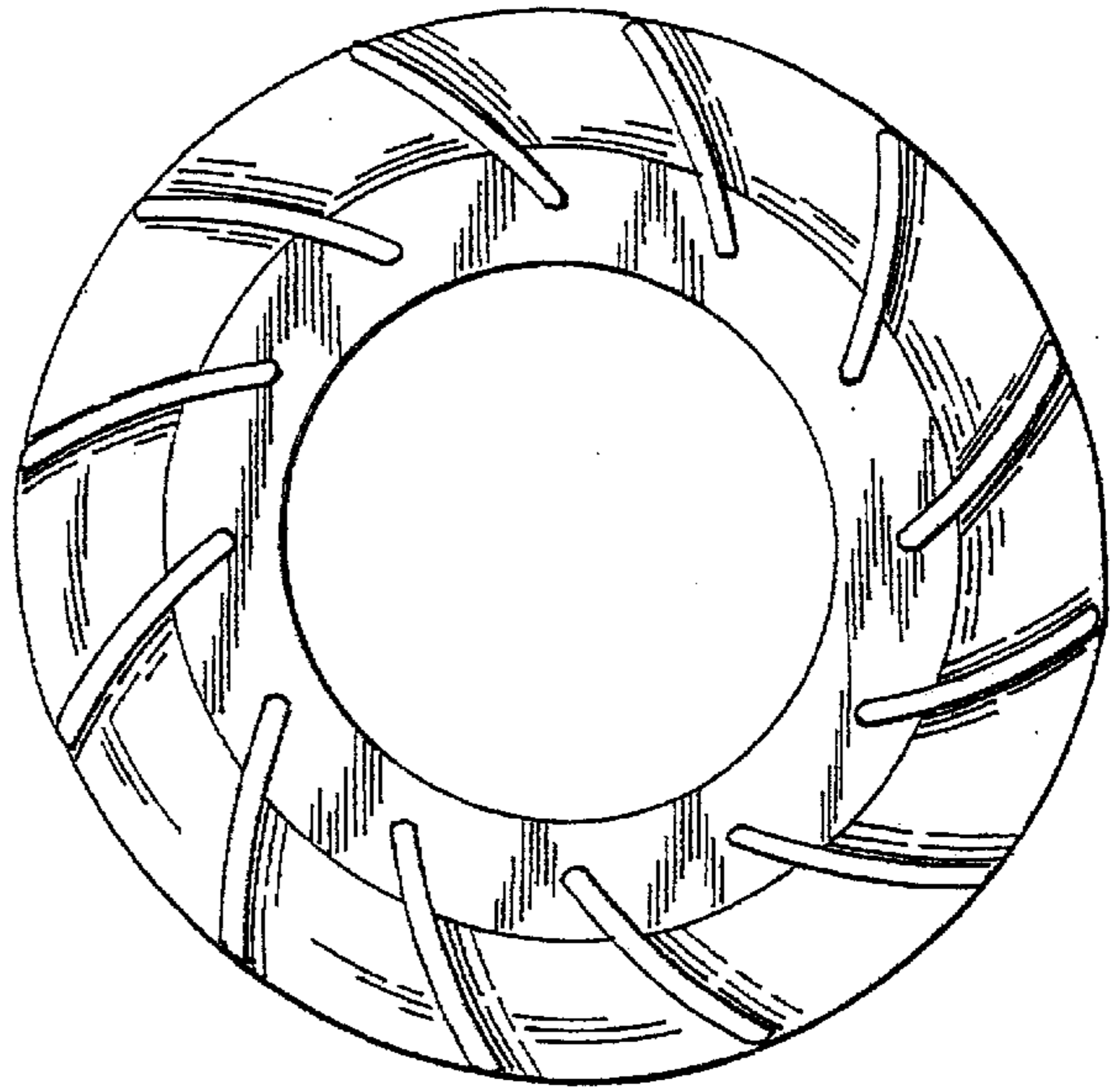


Fig. 2

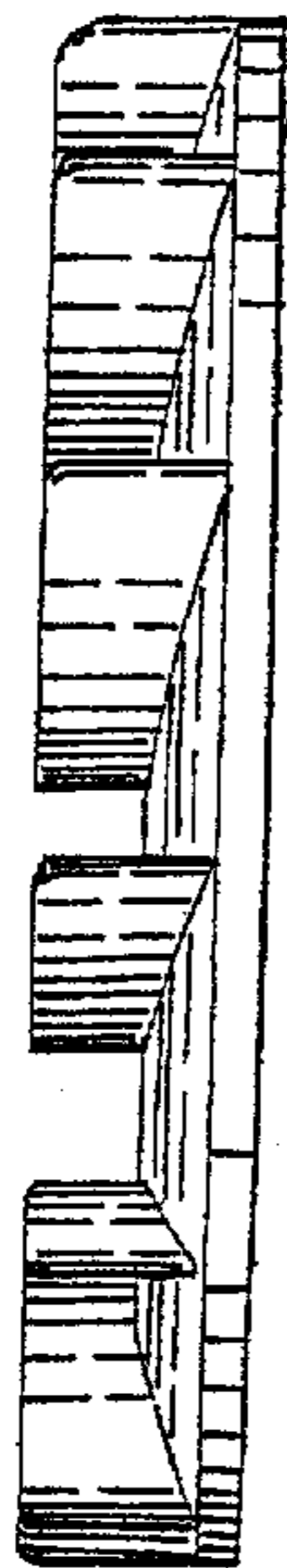


Fig. 3

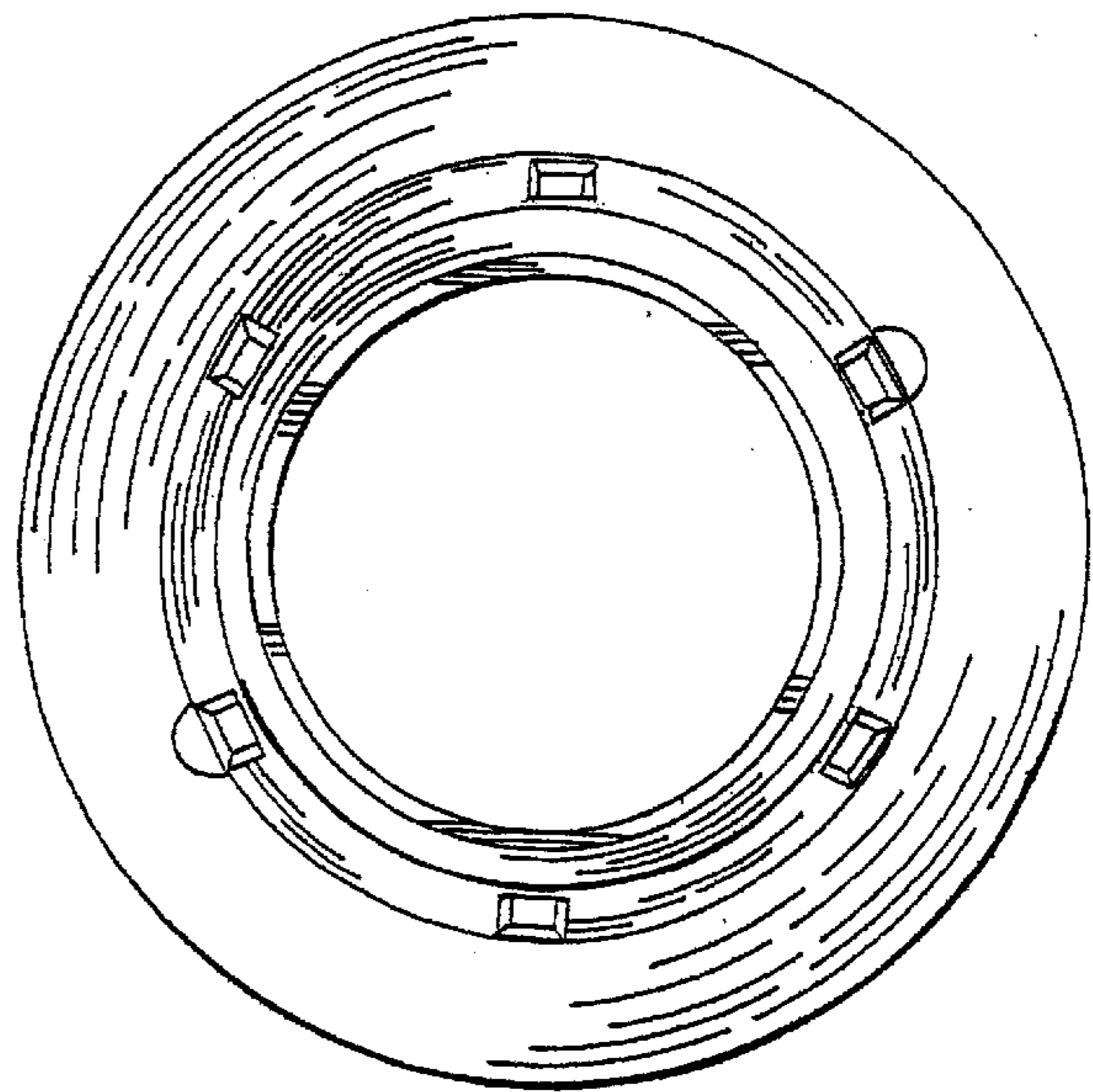


Fig. 4