



US00D423154S

United States Patent [19]

[11] Patent Number: **Des. 423,154**

Rohn et al.

[45] Date of Patent: **** Apr. 18, 2000**

[54] **VACUUM CLEANER**

[75] Inventors: **Dean Robert Rohn; Roy Oliver Erickson; John J. Alberts, III**, all of Cadillac; **Alan Joseph Krebs**, Stanwood, all of Mich.; **Mark Christopher Bates**, Bellingham; **John Carl Costello**, Wellesley, both of Mass.

[73] Assignee: **Rexair, Inc.**, Troy, Mich.

[**] Term: **14 Years**

[21] Appl. No.: **29/083,413**

[22] Filed: **Feb. 4, 1998**

[51] **LOC (6) Cl.** **15-05**

[52] **U.S. Cl.** **D32/23**

[58] **Field of Search** D32/31, 21, 24, D32/25, 30; 15/323, 325, 326, 327.1, 327.2, 321, 347, 353

[56] **References Cited**

U.S. PATENT DOCUMENTS

D. 103,420	1/1937	Brock .	
D. 144,063	3/1946	Mcallister	D9/2
D. 165,636	1/1952	Cherry et al.	D9/2
D. 174,841	5/1955	Trombley	D9/2
D. 182,257	3/1958	Trombley	D9/2
D. 183,961	11/1958	Chapman	D9/2
D. 266,612	10/1982	Hug	D32/23
D. 280,768	9/1985	Ferraris et al.	D32/23

D. 296,945	7/1988	Erickson, Jr.	D32/23
D. 324,930	3/1992	Pino	D32/23
D. 335,555	5/1993	Reath	D32/21
D. 338,294	8/1993	Kohler	D32/23
D. 357,336	4/1995	Moine et al.	D32/23
D. 357,773	4/1995	Wareham et al.	D32/23
D. 361,176	8/1995	Moine et al.	D32/23
D. 362,522	9/1995	Kohler	D32/23
D. 367,342	2/1996	Langeland et al.	D32/23
2,102,353	1/1937	Brock	183/24
5,144,716	9/1992	Watanabe et al.	15/323

Primary Examiner—Ruth McInroy
Attorney, Agent, or Firm—Howard & Howard

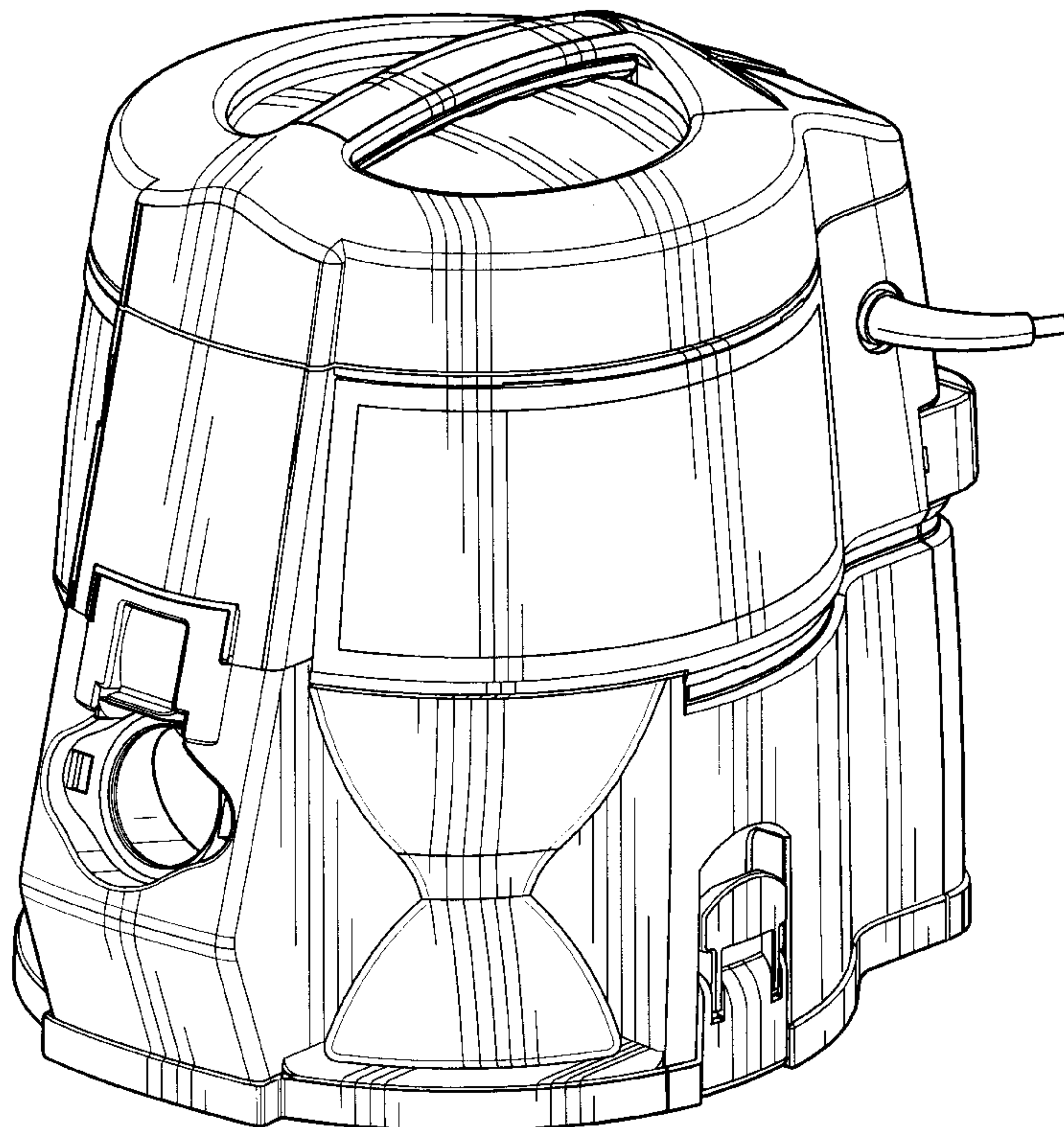
[57] **CLAIM**

The ornamental design for a vacuum cleaner, as shown and described.

DESCRIPTION

FIG. 1 is a perspective view of a vacuum cleaner showing our new design;
FIG. 2 is a front elevational view thereof;
FIG. 3 is a side elevational view thereof;
FIG. 4 is a side elevational view thereof of the side opposite to that shown in FIG. 3;
FIG. 5 is a rear elevation view thereof;
FIG. 6 is a top plan view thereof; and,
FIG. 7 is a bottom plan view thereof.
The electric cord is shown broken away in FIGS. 1, 3, 5, 6 and 7 is understood to represent indeterminate length.

1 Claim, 4 Drawing Sheets



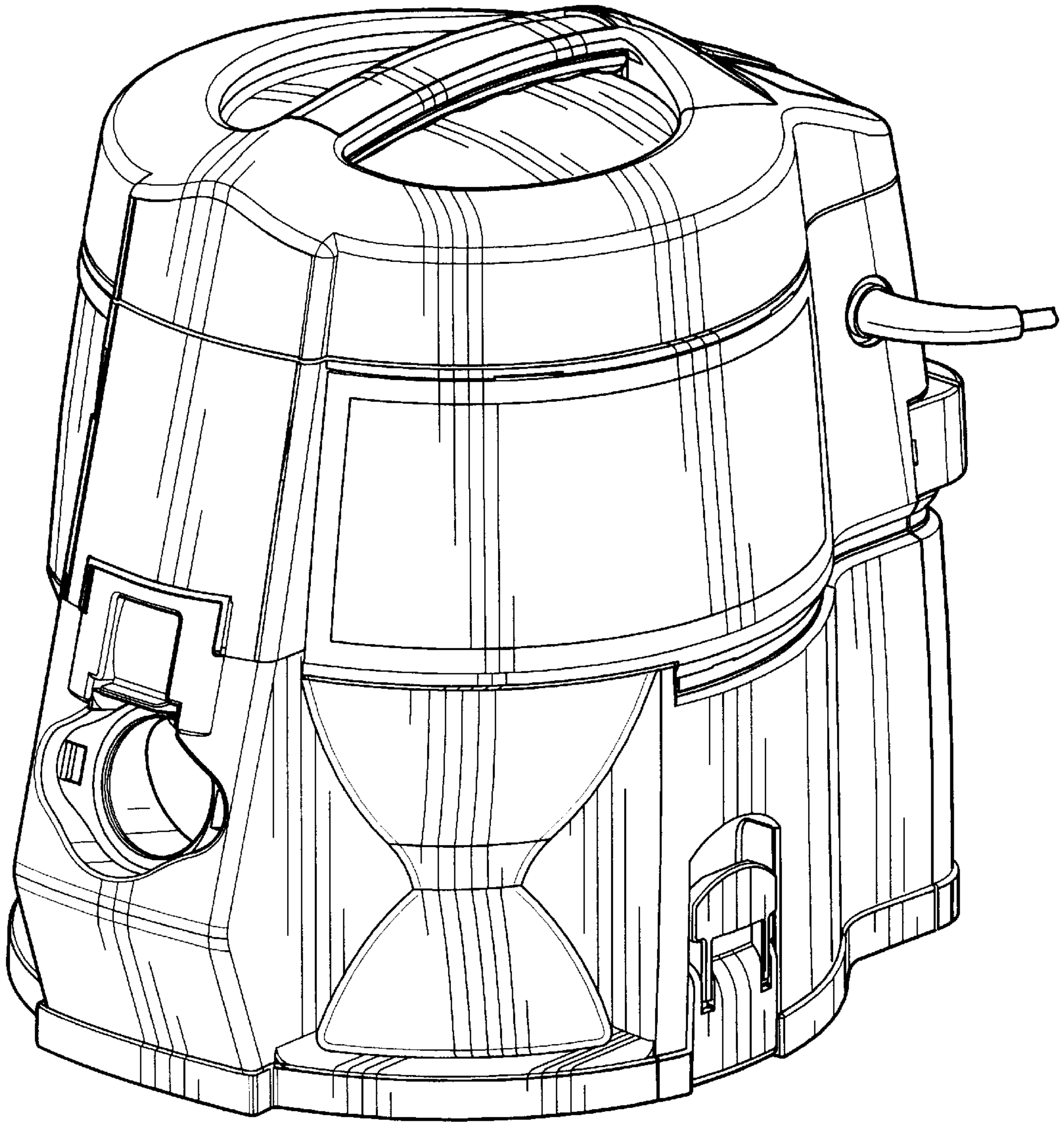


Fig-1

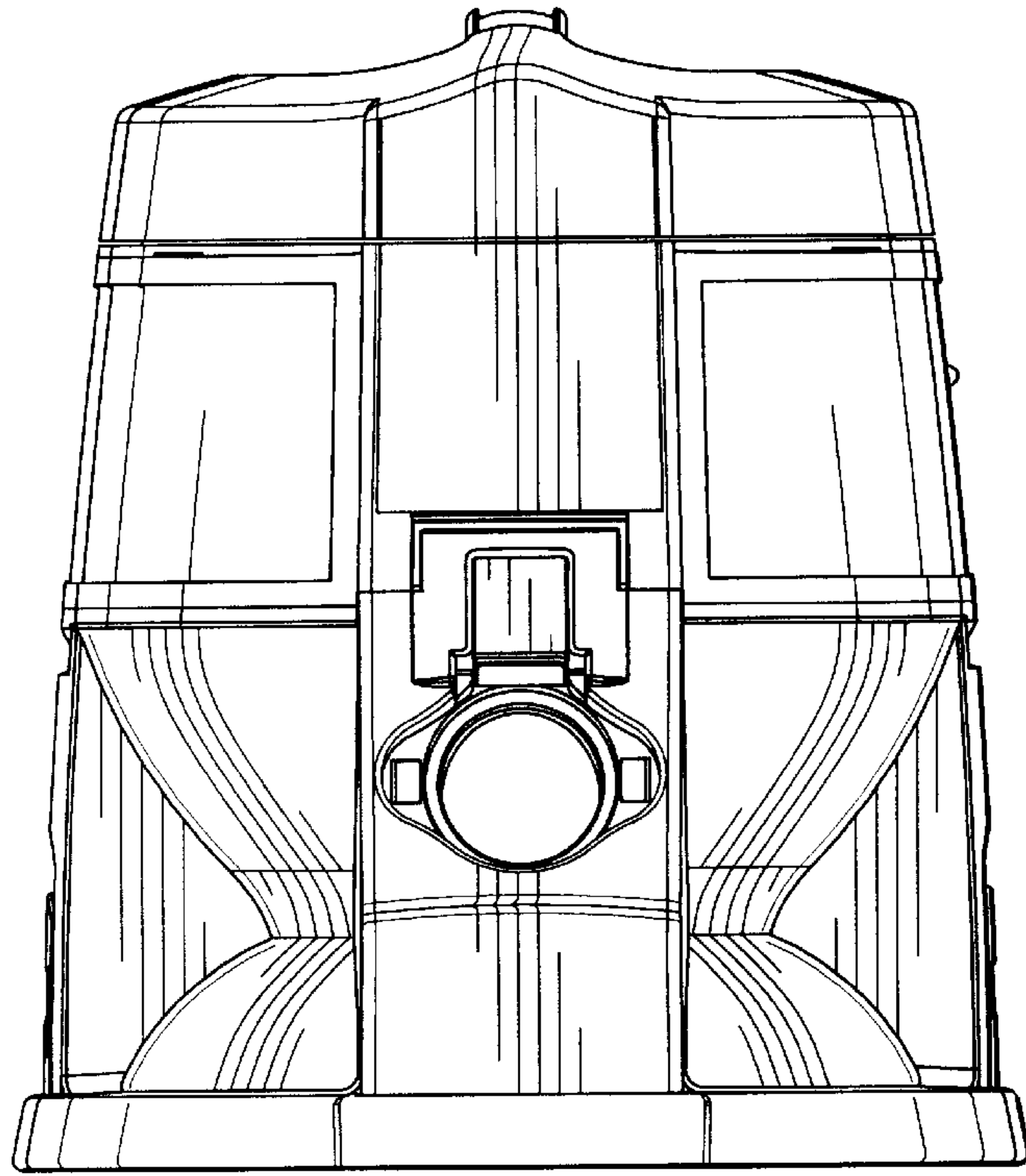


Fig-2

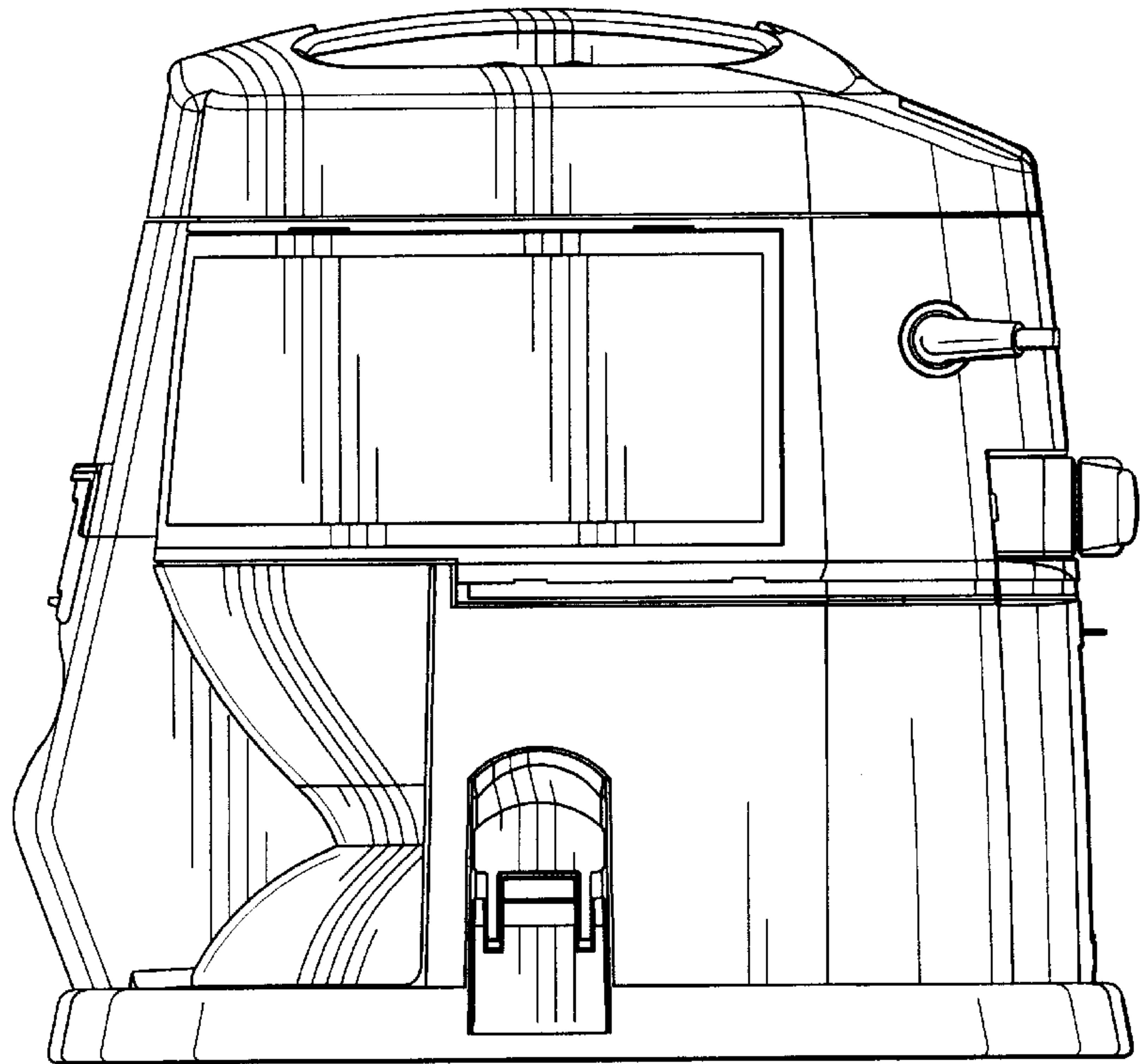


Fig-3

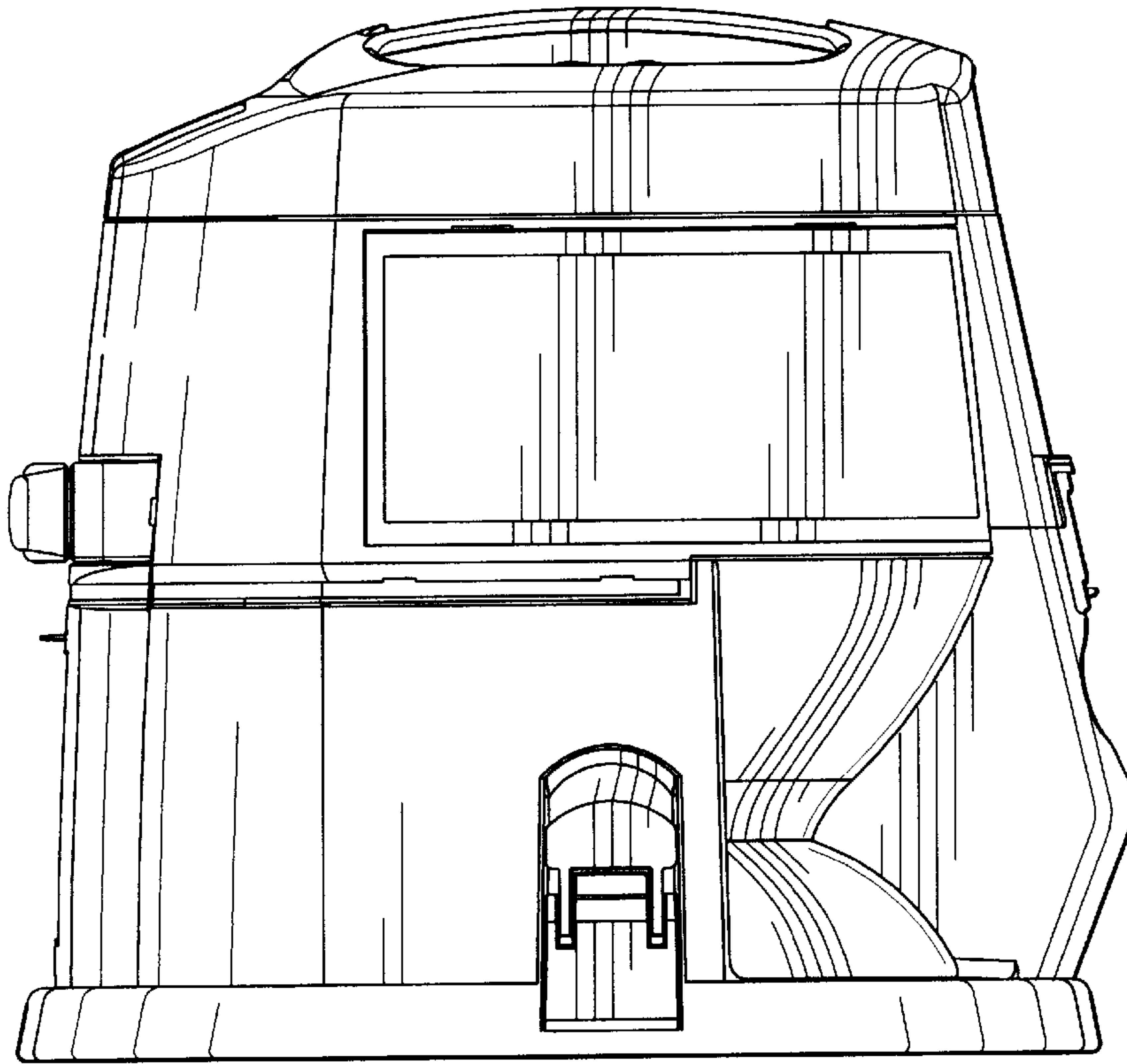


Fig-4

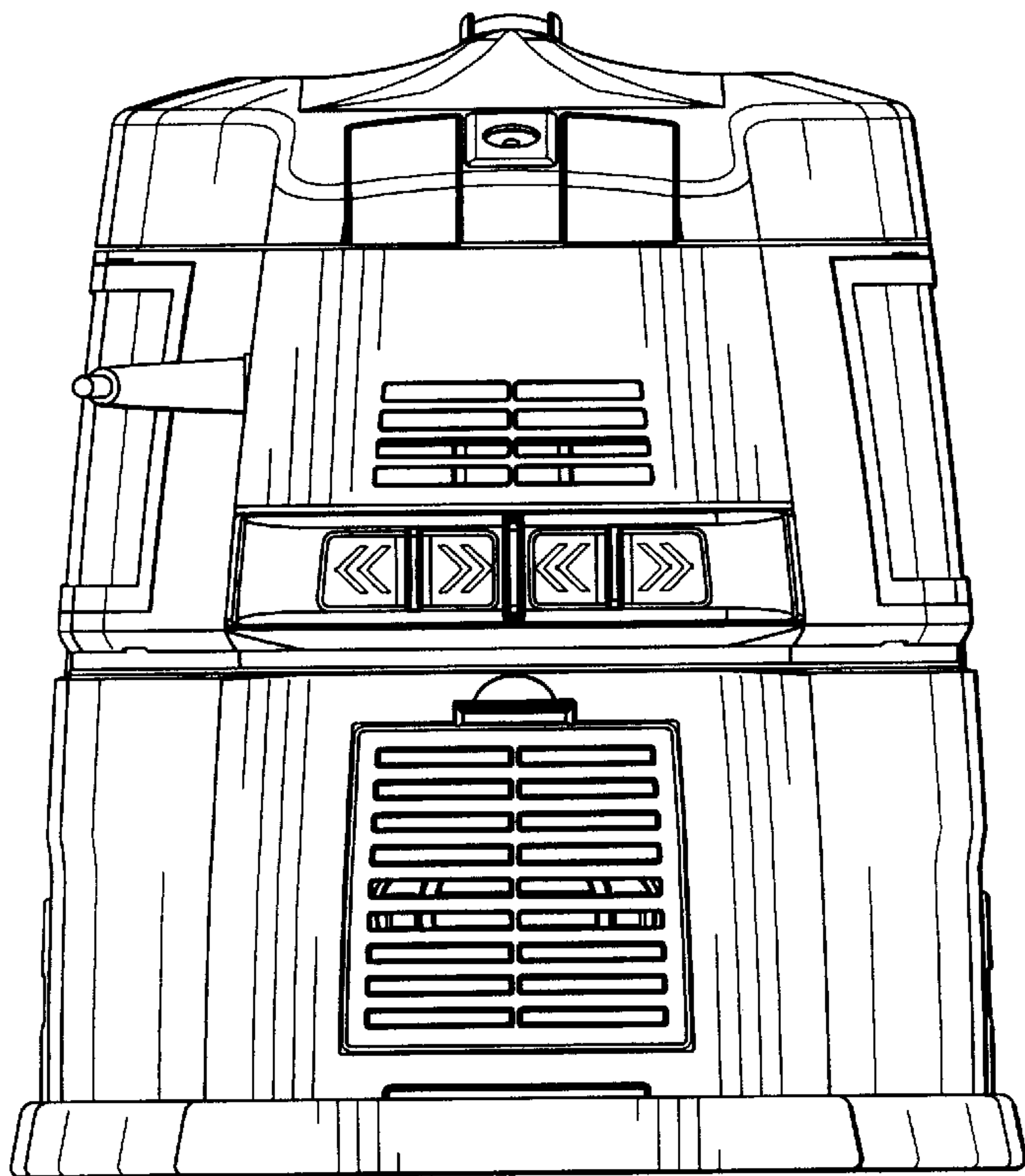


Fig-5

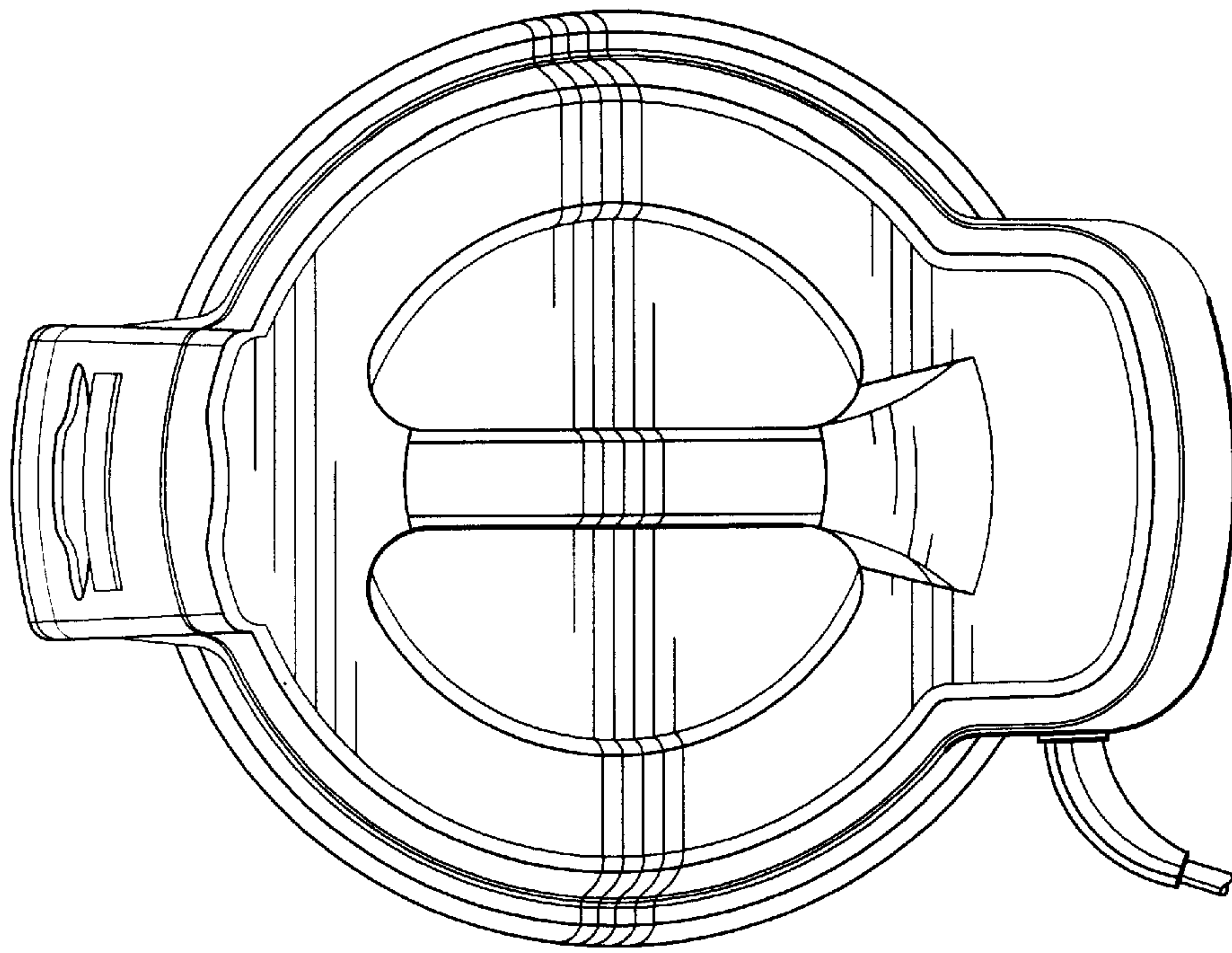


Fig-6

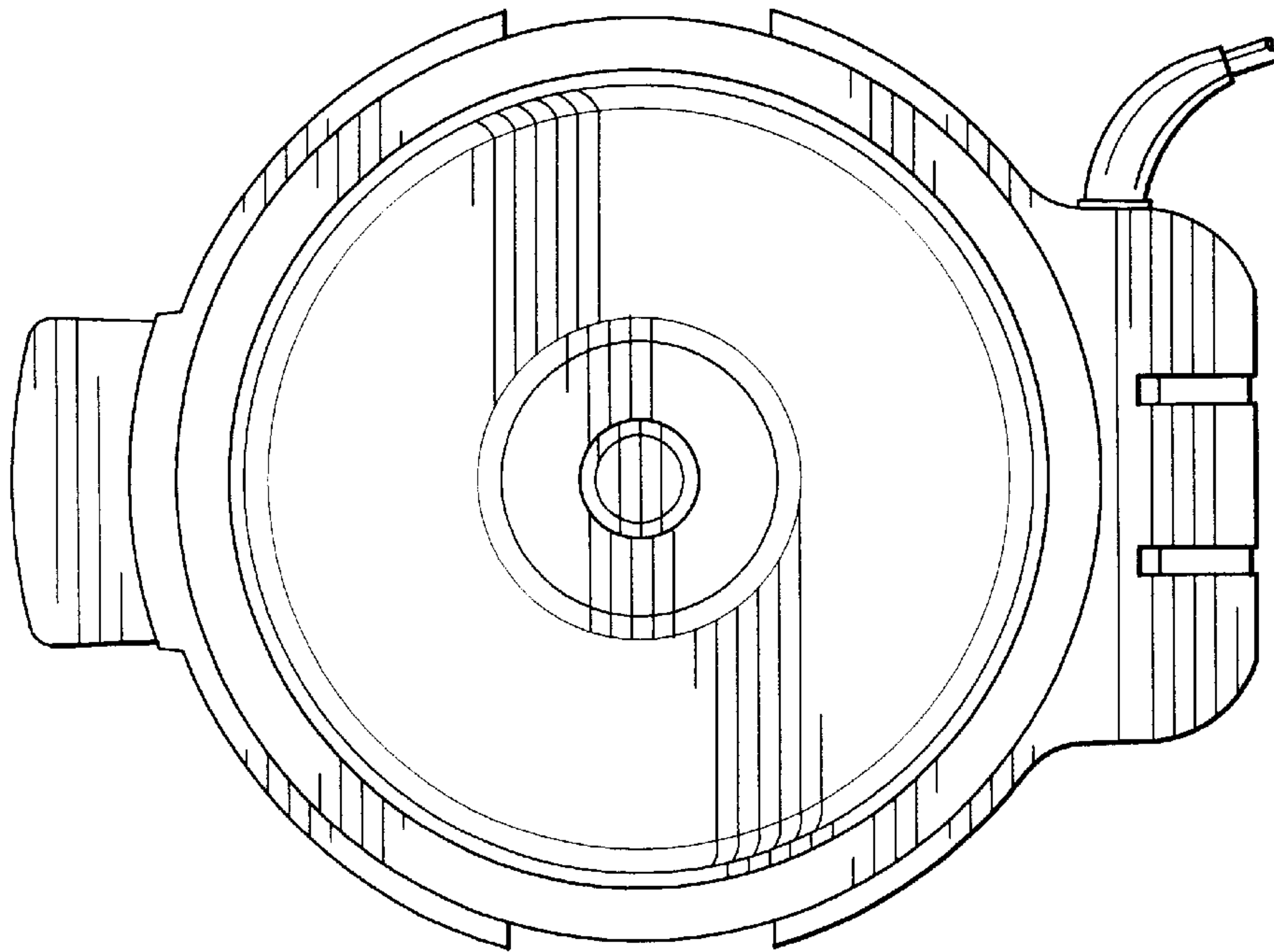


Fig-7