



US00D423149S

United States Patent [19]
Cooper et al.

[11] **Patent Number: Des. 423,149**

[45] **Date of Patent: ** Apr. 18, 2000**

[54] **FEEDING DISH**

[75] Inventors: **Michelle Cooper; Michael Craig Highley**, both of Batley, United Kingdom

[73] Assignee: **Mars U.K. Limited**, Berkshire, United Kingdom

[**] Term: **14 Years**

[21] Appl. No.: **29/095,178**

[22] Filed: **Oct. 19, 1998**

[30] **Foreign Application Priority Data**

Jul. 20, 1998 [GB] United Kingdom 2076215

[51] **LOC (6) Cl.** **30-03**

[52] **U.S. Cl.** **D30/129**

[58] **Field of Search** D30/121-133;
119/51.5, 61, 51.12, 52.1, 74, 72, 77; D7/550.1,
551.1, 553.6, 566, 584, 543; D27/113, 114,
115, 116

[56] **References Cited**

U.S. PATENT DOCUMENTS

- D. 230,034 1/1974 Goldman D30/129
- D. 340,638 10/1993 Campbell D30/129 X
- D. 408,223 4/1999 Henry D7/566 X
- 3,722,476 3/1973 Van Ness et al. 119/61

OTHER PUBLICATIONS

R.C. Steele, *Stainless Steel Feed Dishes*, 1997 p. 29.

Primary Examiner—Louis S. Zarfaz
Assistant Examiner—Catherine R. Oliver

Attorney, Agent, or Firm—Fitzpatrick, Cella, Harper & Scinto

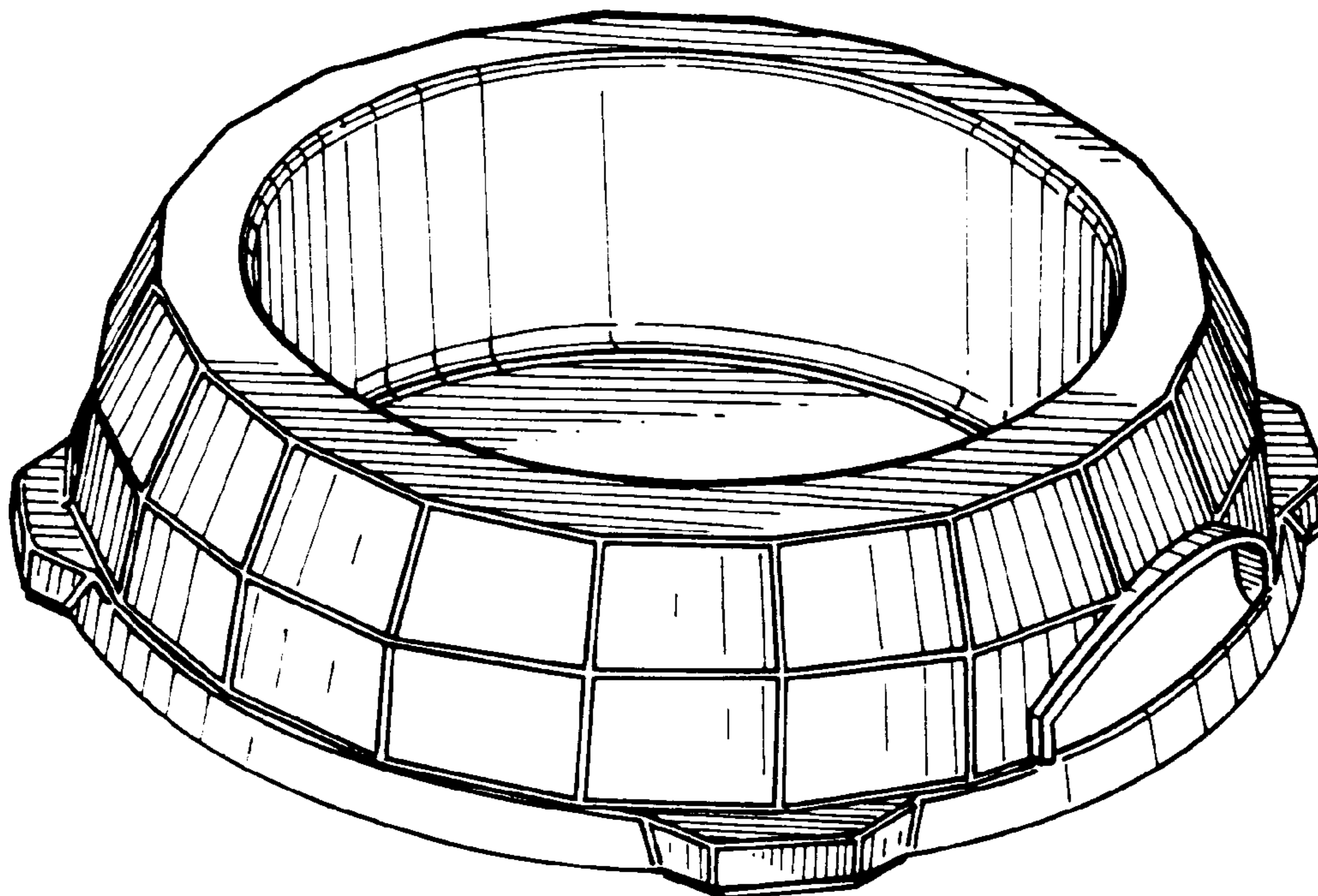
[57] **CLAIM**

The ornamental design for a feeding dish, as shown and described.

DESCRIPTION

FIG. 1 is a top perspective view of the first embodiment of the feeding dish showing our new design;
 FIG. 2 is a bottom perspective view thereof;
 FIG. 3 is a top plan view thereof;
 FIG. 4 is a side elevational view, the opposite side elevational view being a mirror image thereof;
 FIG. 5 is a front elevational view, the rear elevational view being a mirror image thereof;
 FIG. 6 is a sectional view taken along line 6—6 of FIG. 3;
 FIG. 7 is a sectional view taken along line 7—7 of FIG. 3;
 FIG. 8 is a top perspective view of the second embodiment;
 FIG. 9 is a bottom perspective view thereof;
 FIG. 10 is a top plan view of the embodiment of FIG. 8;
 FIG. 11 is a side elevational view, the opposite side elevational view being a mirror image thereof;
 FIG. 12 is a front elevational view, the rear elevational view being a mirror image thereof;
 FIG. 13 is a sectional view taken along line 13—13 of FIG. 10; and,
 FIG. 14 is a sectional view taken along line 14—14 of FIG. 10.

1 Claim, 6 Drawing Sheets



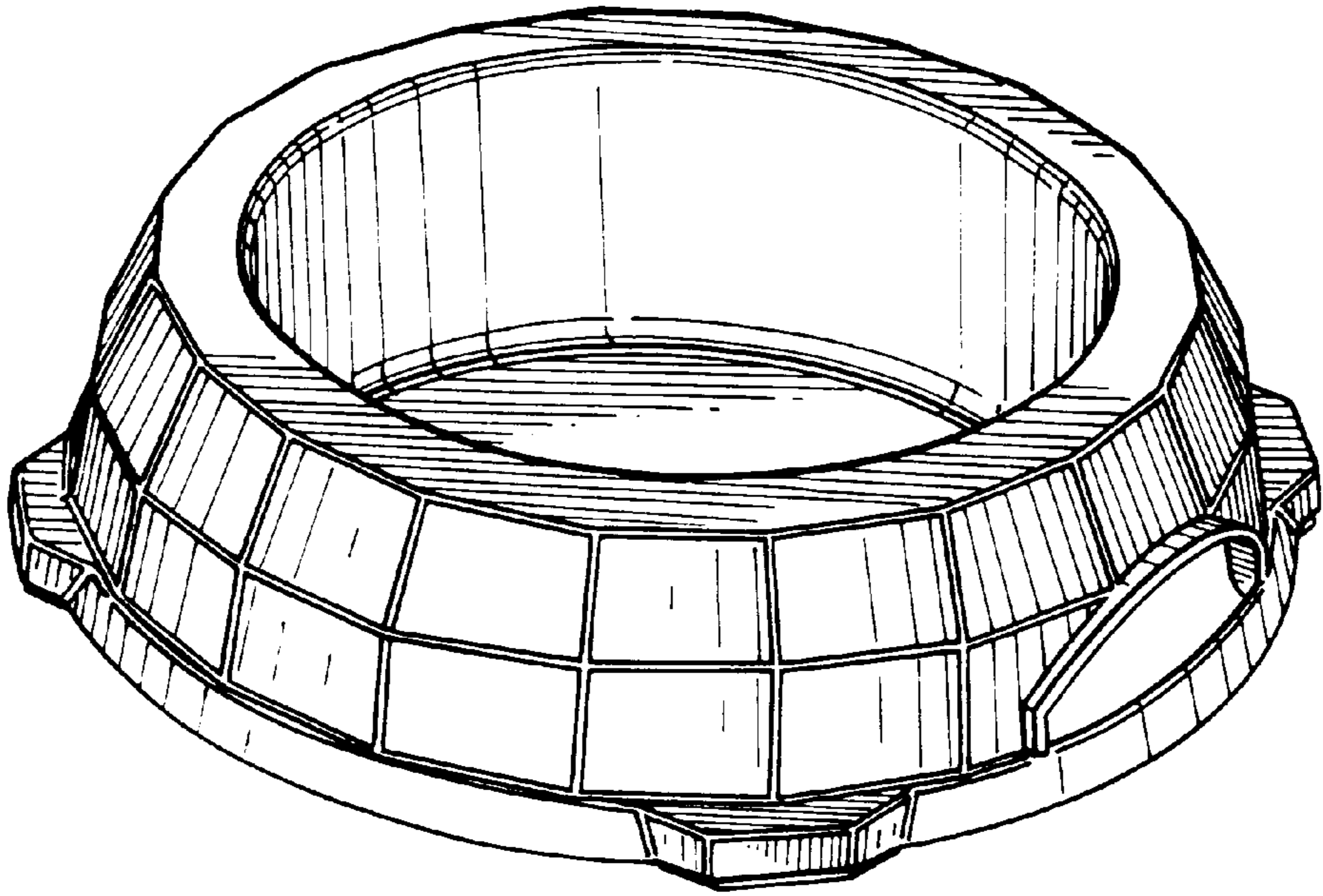


FIG. 1

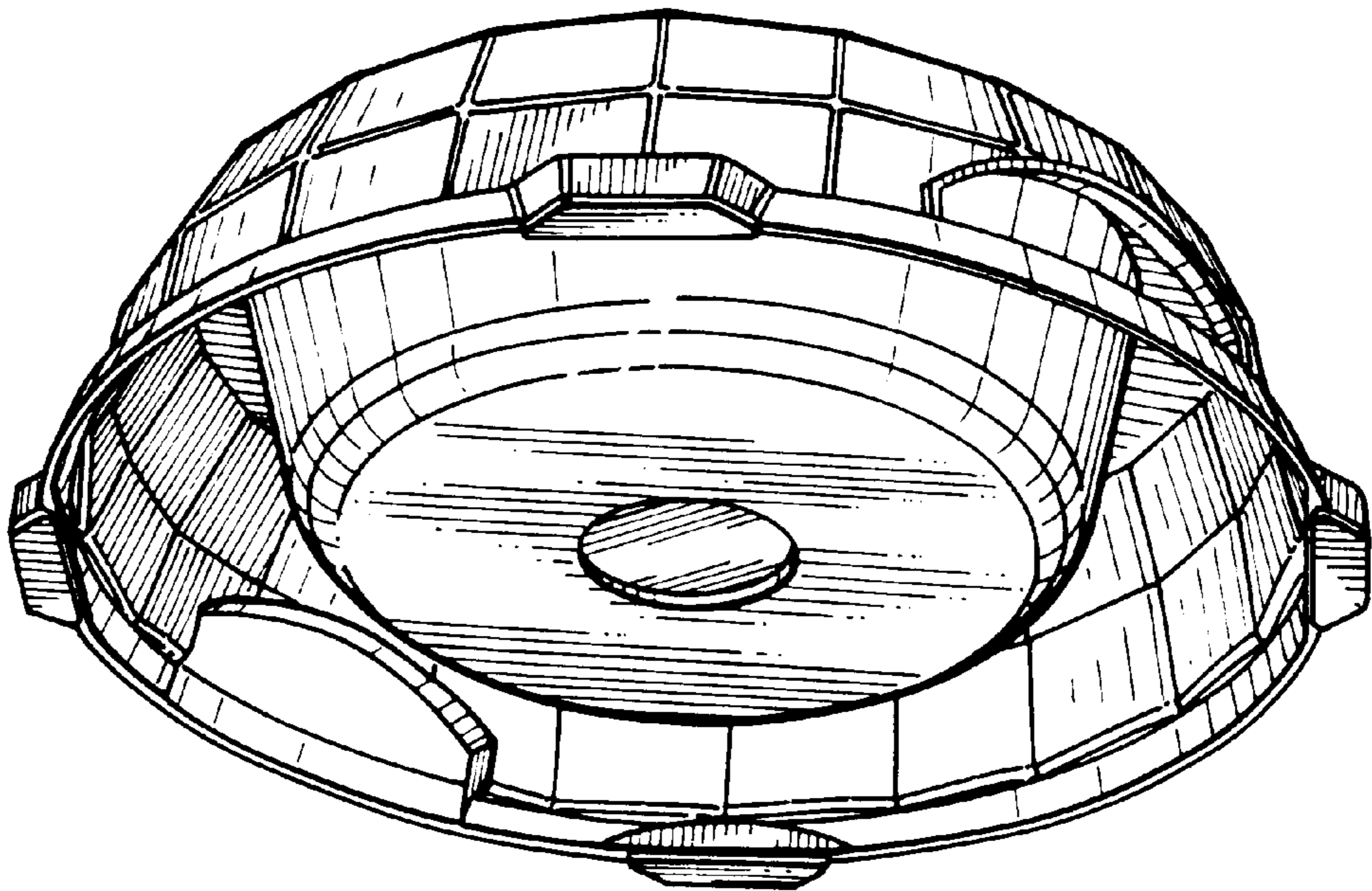


FIG. 2

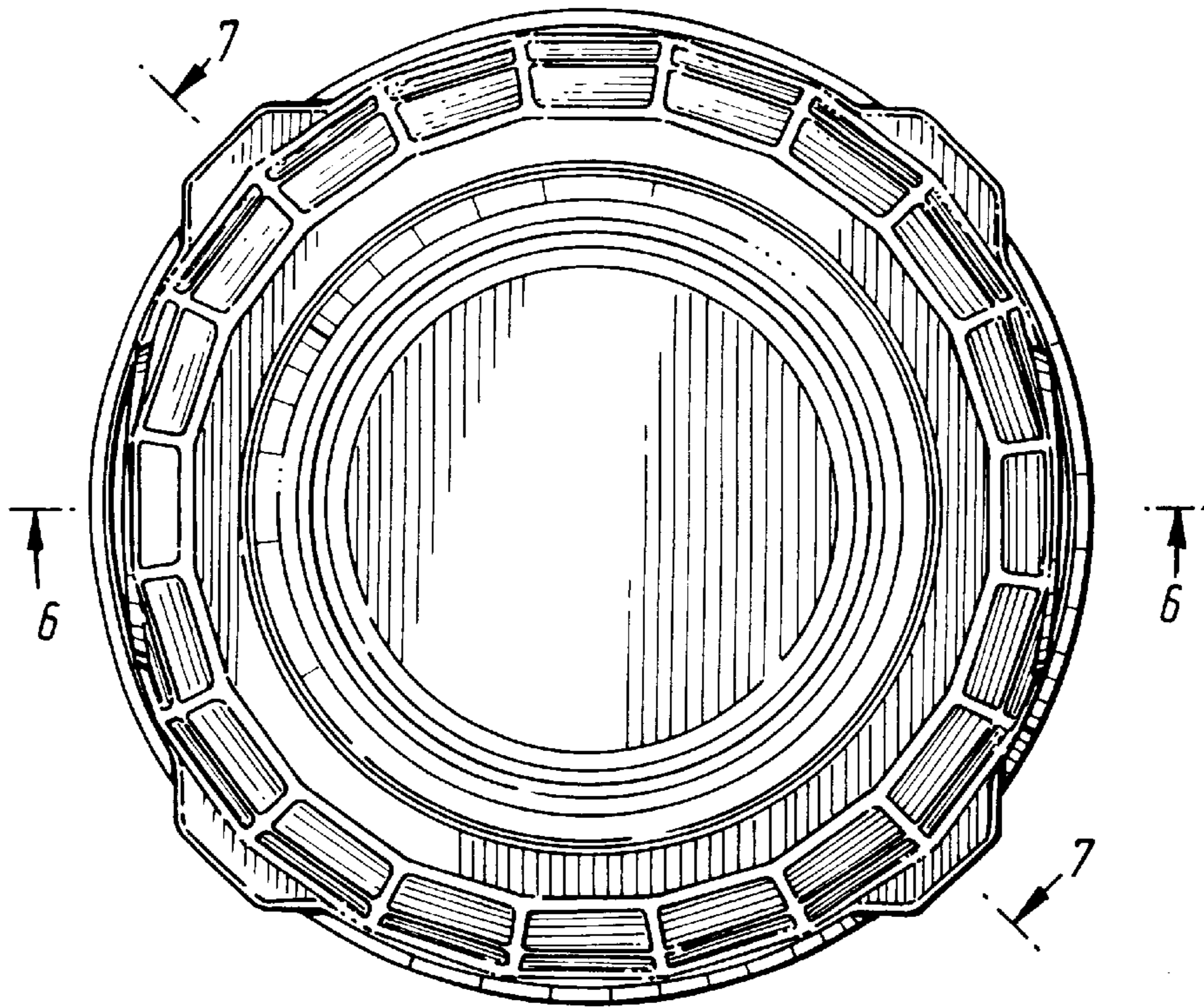


FIG. 3

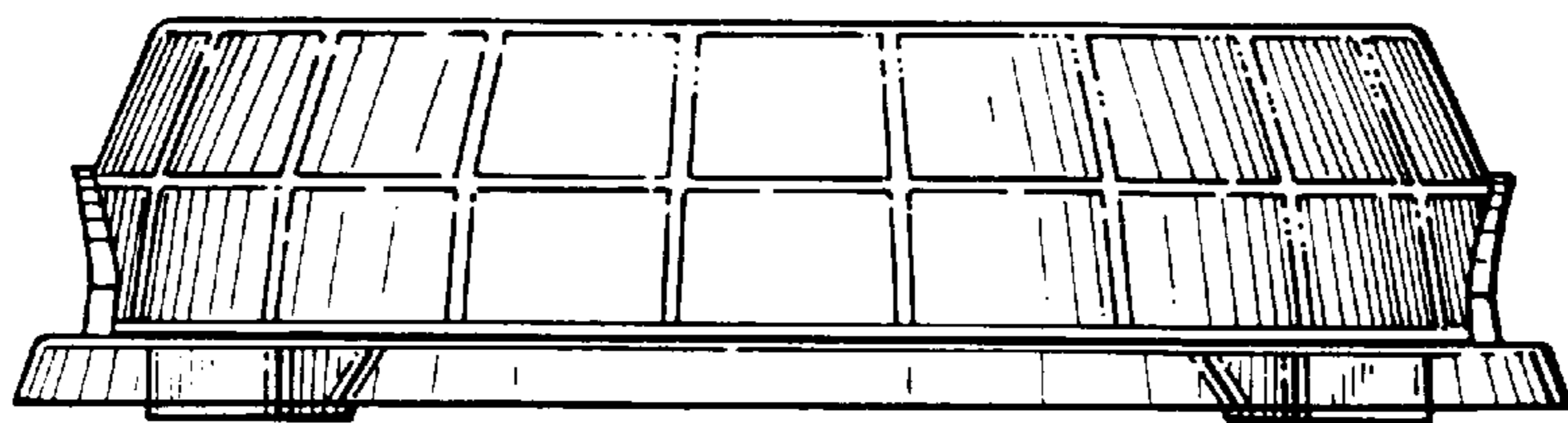


FIG. 4

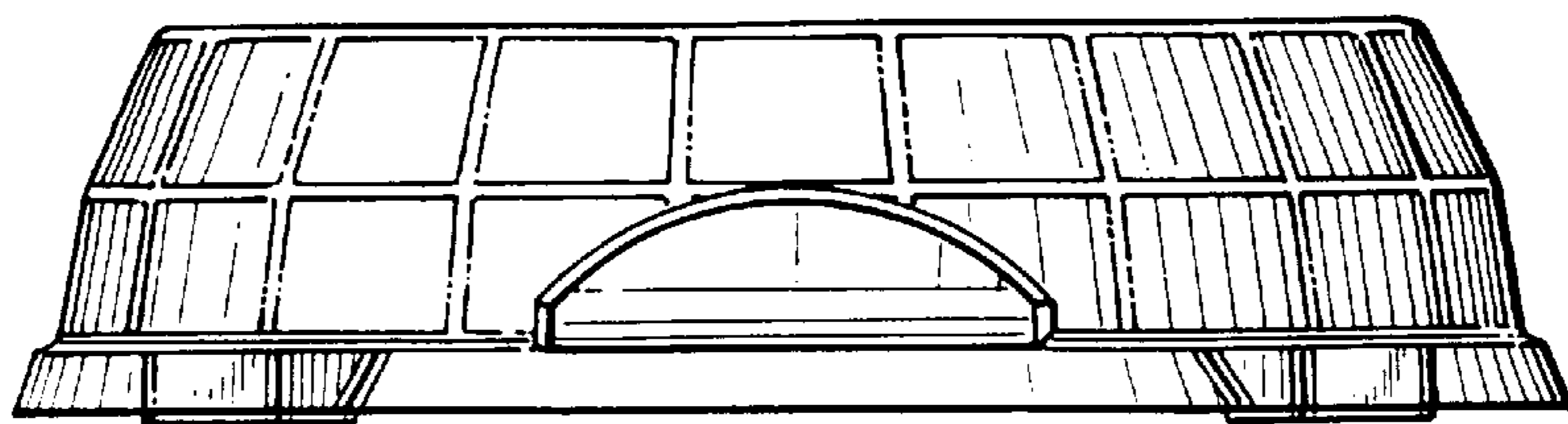


FIG. 5

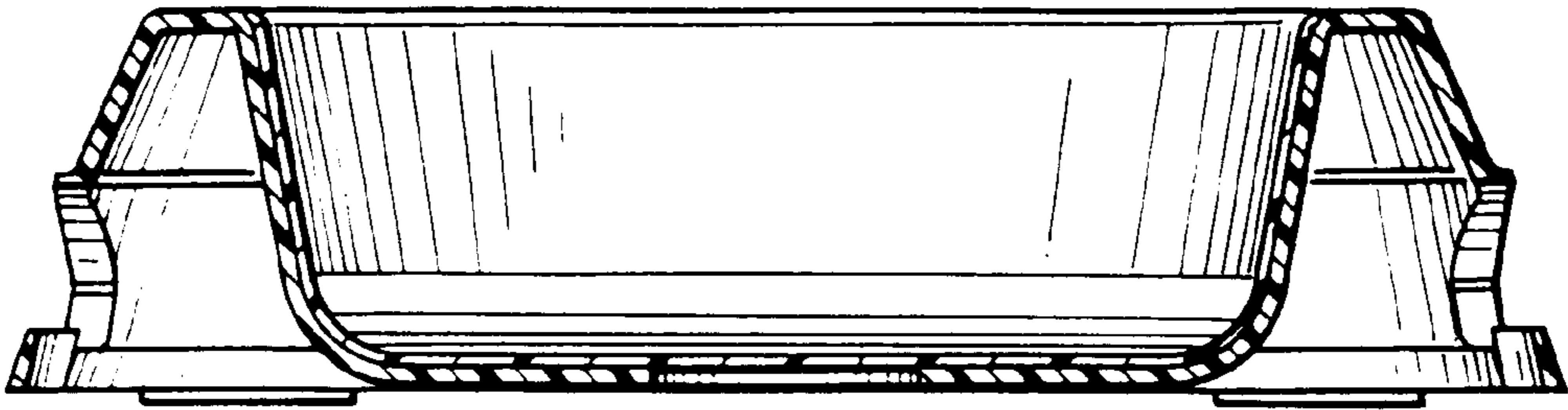


FIG. 6



FIG. 7

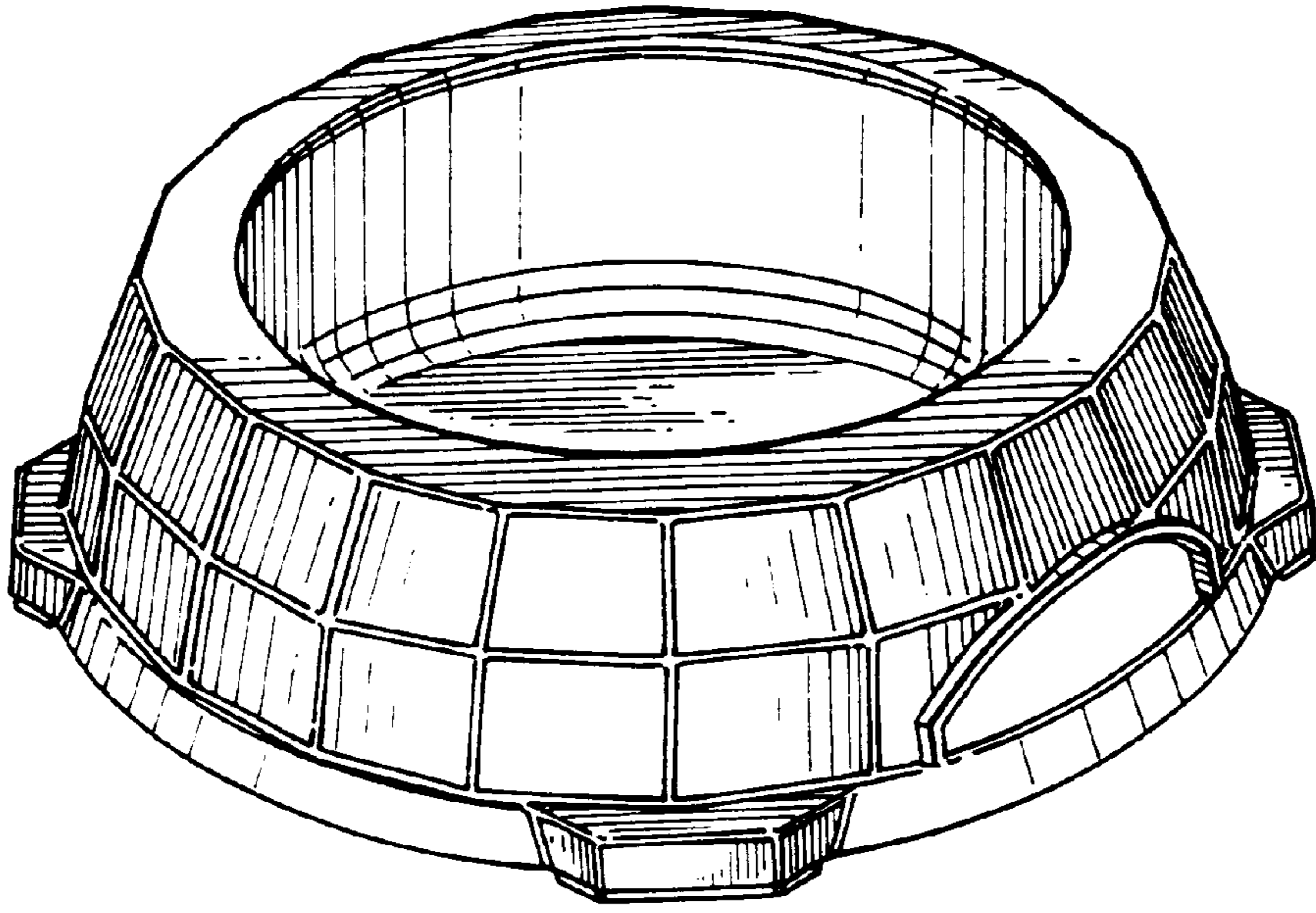


FIG. 8

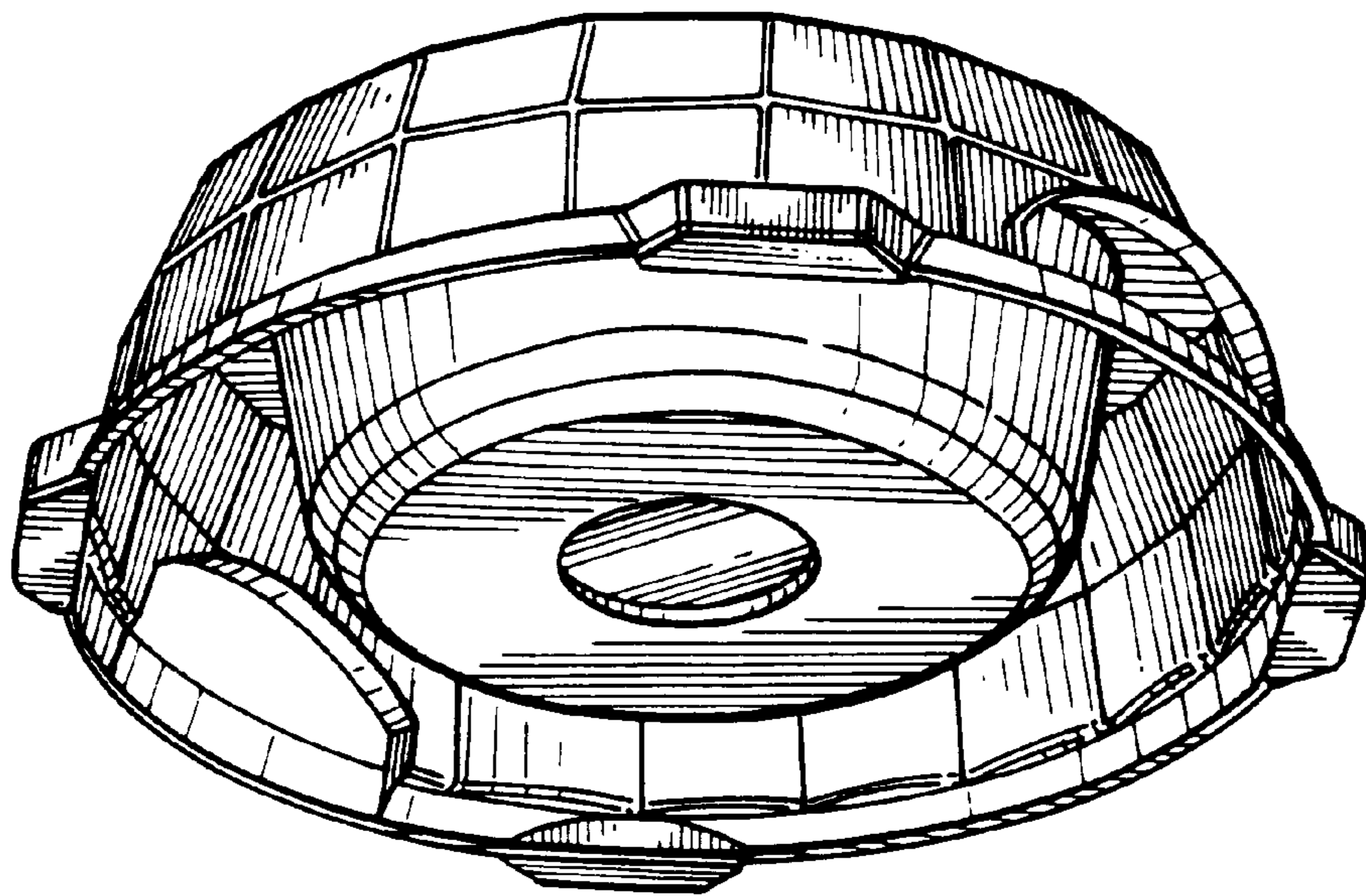


FIG. 9

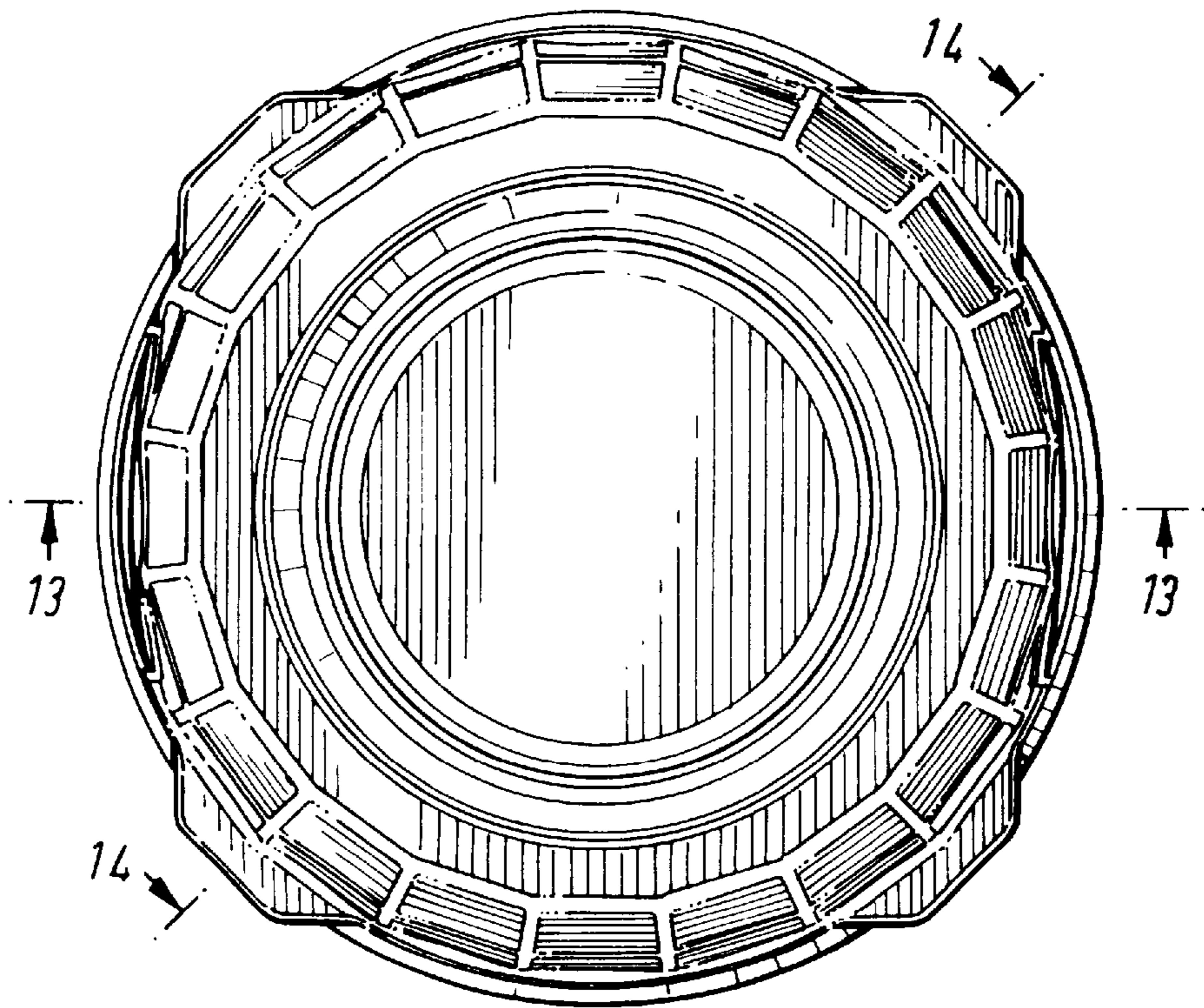


FIG. 10

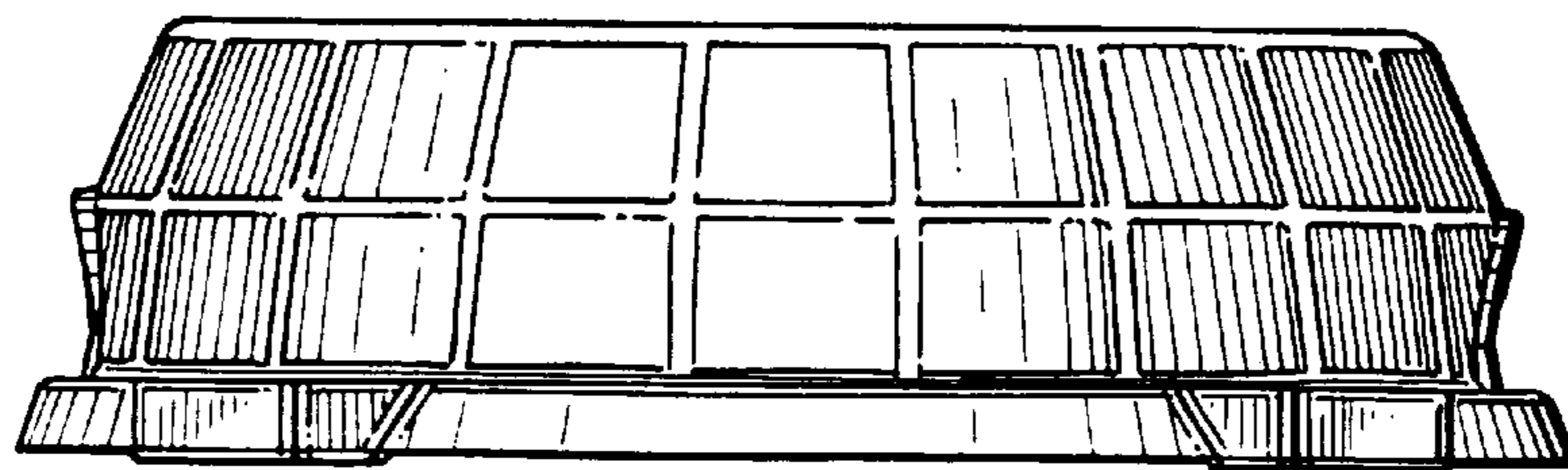


FIG. 11

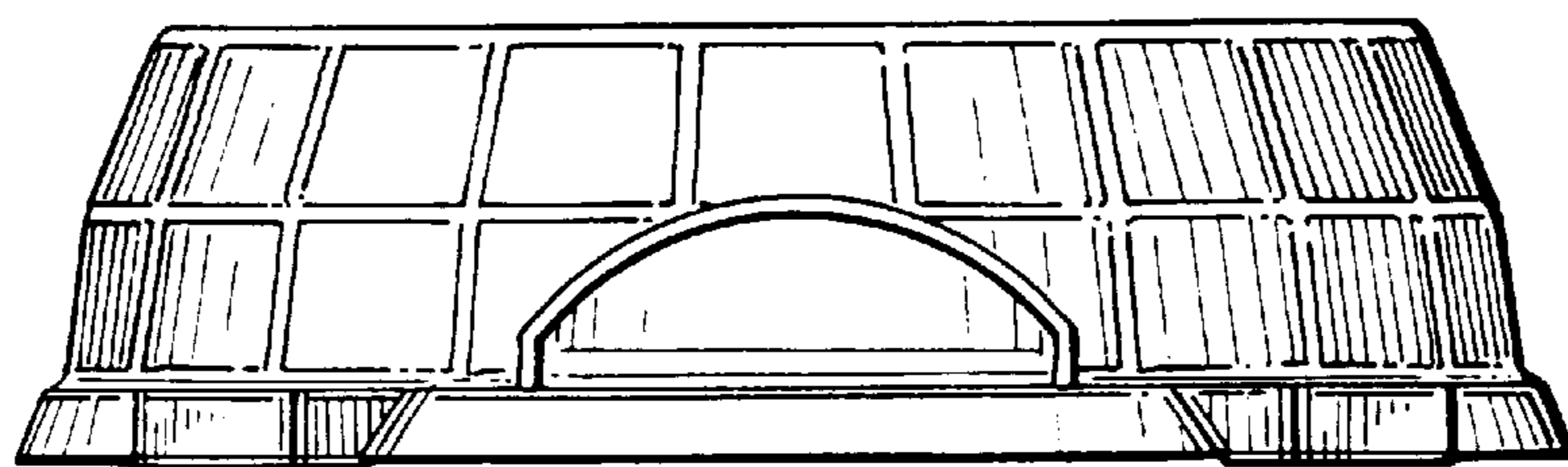


FIG. 12

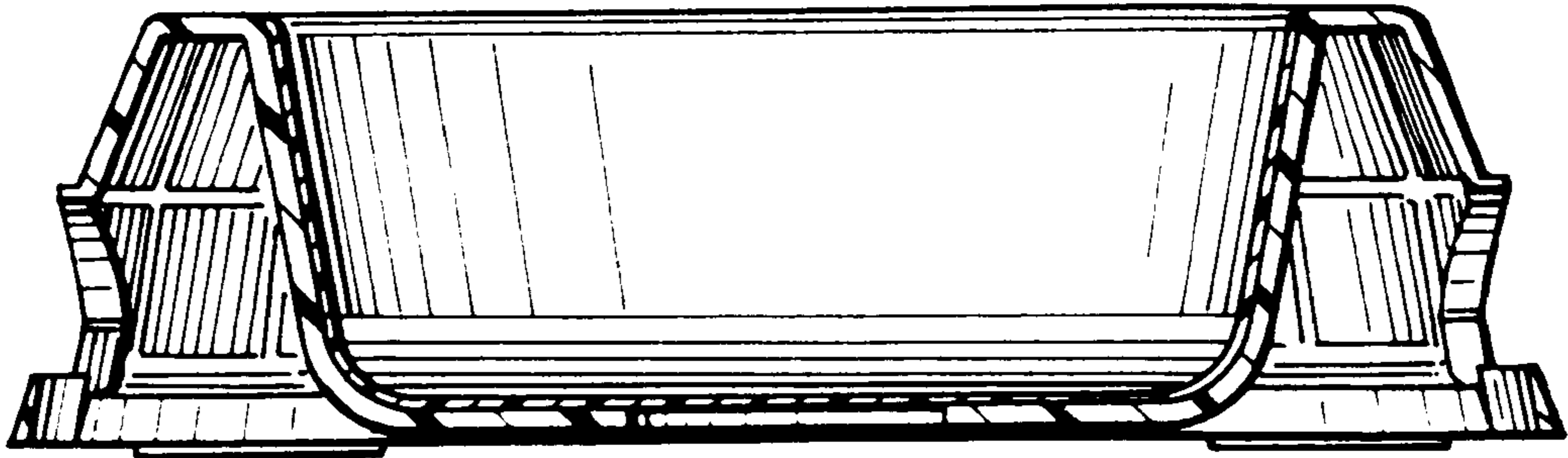


FIG. 13

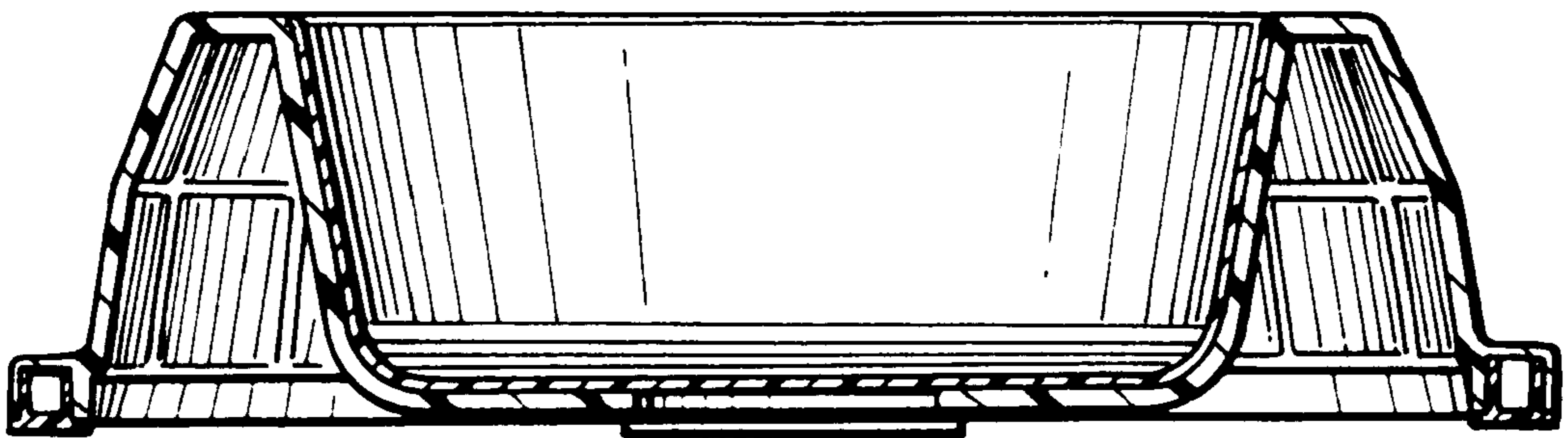


FIG. 14