



US00D423146S

United States Patent [19] Wang

[11] Patent Number: Des. 423,146

[45] Date of Patent: ** Apr. 18, 2000

[54] AQUARIUM

[75] Inventor: Chiao-Ming Wang, Taichung Hsien, Taiwan

[73] Assignee: Meiko Pet Corporation, Taichung Hsien, Taiwan

[**] Term: 14 Years

[21] Appl. No.: 29/100,623

[22] Filed: Feb. 16, 1999

[51] LOC (6) Cl. 30-02

[52] U.S. Cl. D30/101

[58] Field of Search D30/101-107;
119/245-258, 51.04; 210/416.2; 428/7;
362/101, 97, 130

[56] **References Cited**

U.S. PATENT DOCUMENTS

- D. 158,074 4/1950 Hollick-Smith D30/101
- D. 347,911 6/1994 Tominaga D30/101
- D. 361,170 8/1995 Hashimoto D30/101

- D. 361,412 8/1995 Ichikawa D30/101
- D. 362,088 9/1995 Ichikawa D30/101
- D. 366,350 1/1996 Ichikawa D30/101
- D. 397,520 8/1998 Ichikawa D30/101
- 4,078,522 3/1978 Akers 119/266
- 4,191,129 3/1980 Renny 119/253

Primary Examiner—Cathy Anne MacCormac
Attorney, Agent, or Firm—Rosenberg, Klein & Lee

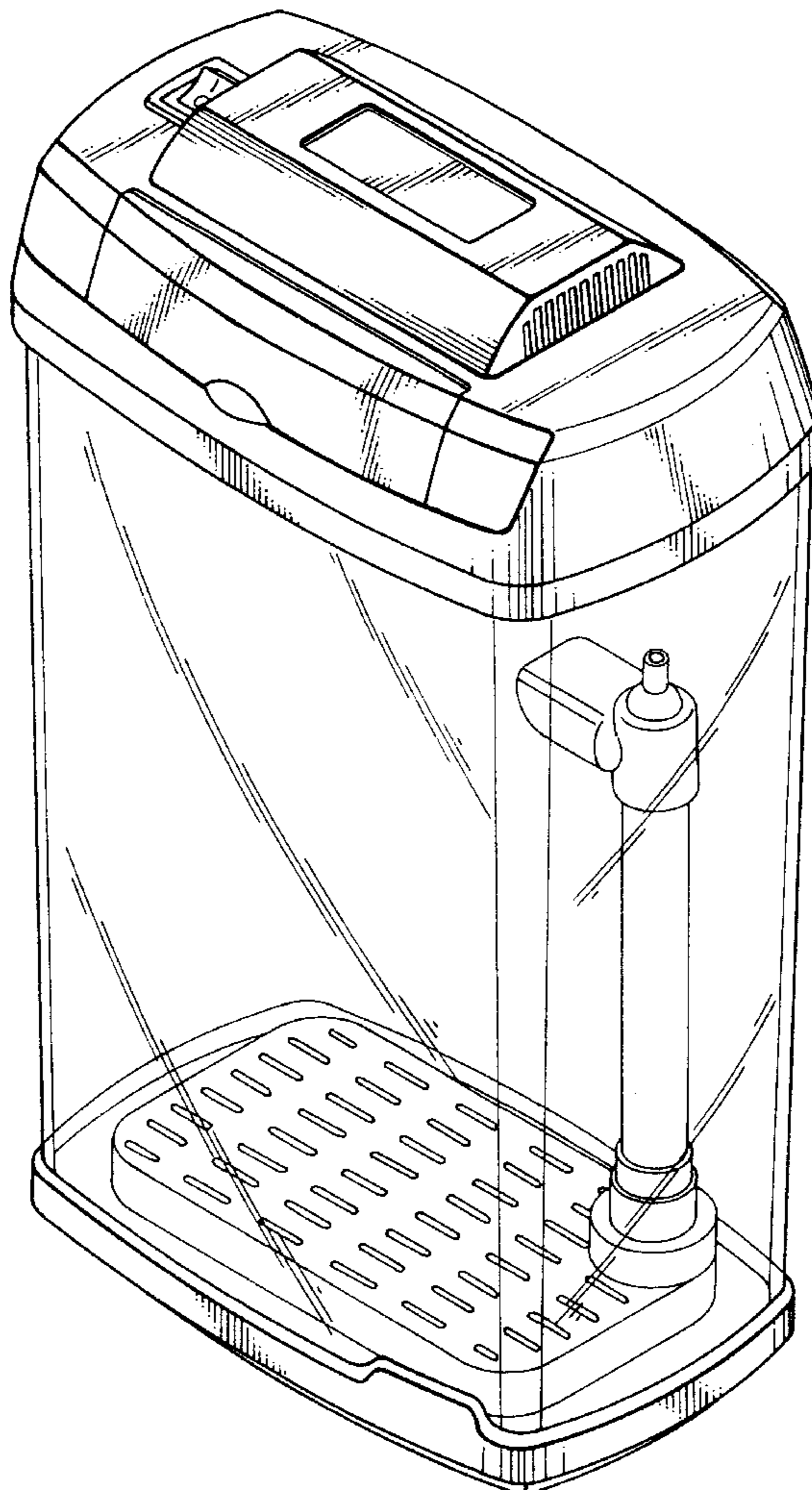
[57] **CLAIM**

The ornamental design for an aquarium, as shown and described.

DESCRIPTION

FIG. 1 is a perspective view of aquarium showing my new design;
FIG. 2 is a front elevation view thereof;
FIG. 3 is a rear elevation view thereof;
FIG. 4 is a left side elevation view thereof;
FIG. 5 is a right side elevation view thereof;
FIG. 6 is a top plan view thereof; and,
FIG. 7 is a bottom plan view thereof.

1 Claim, 5 Drawing Sheets



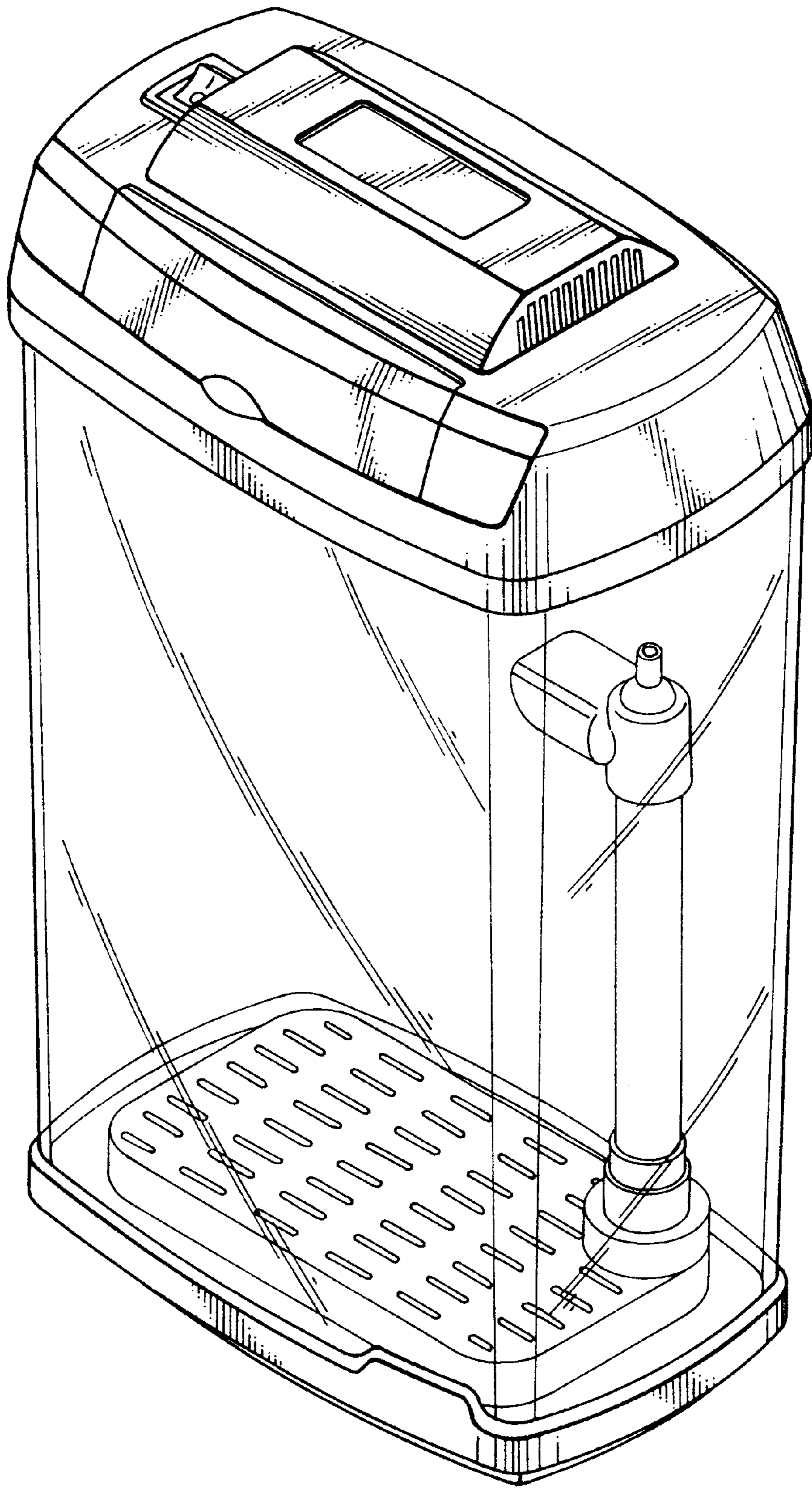


FIG. 1

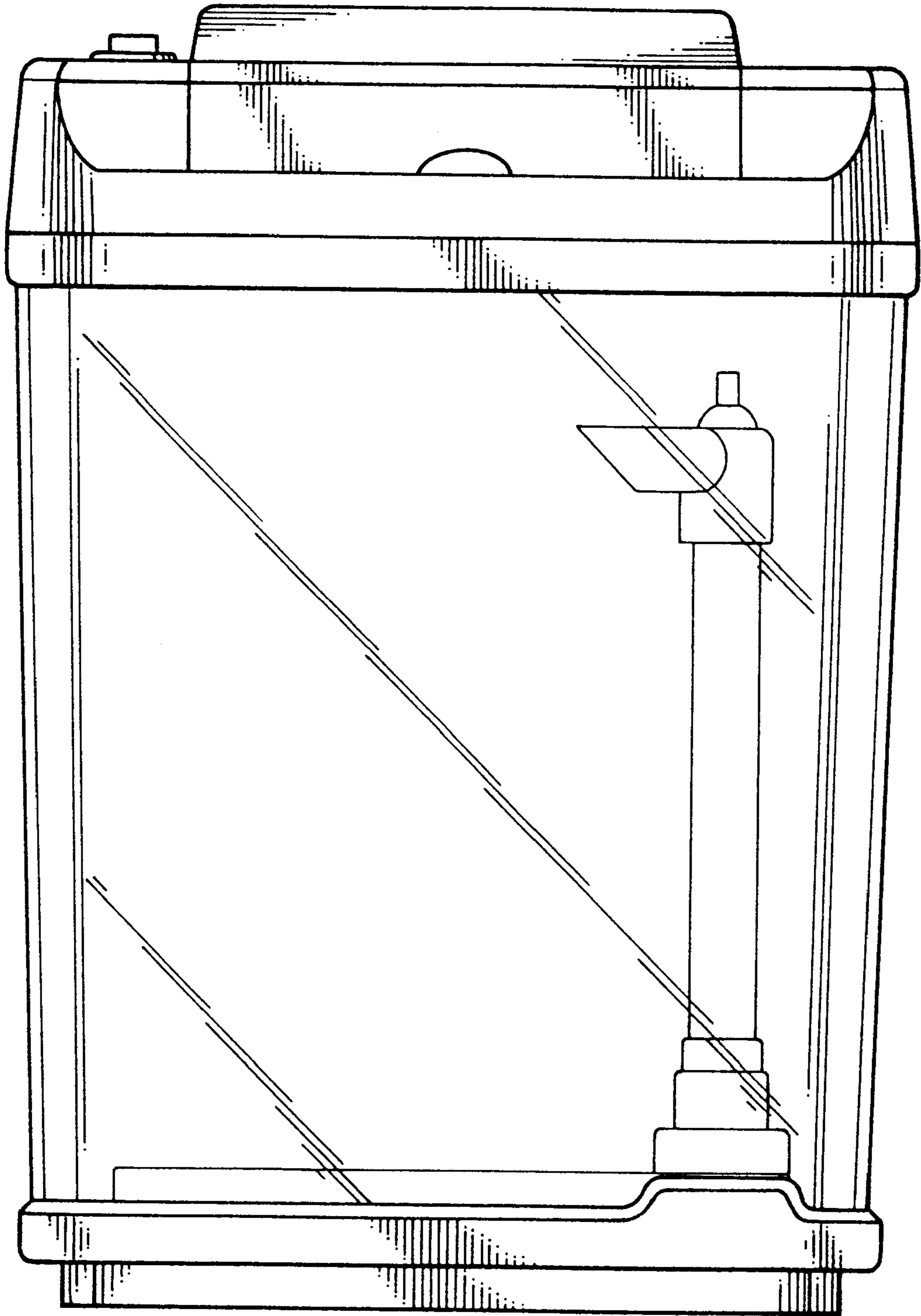


FIG. 2

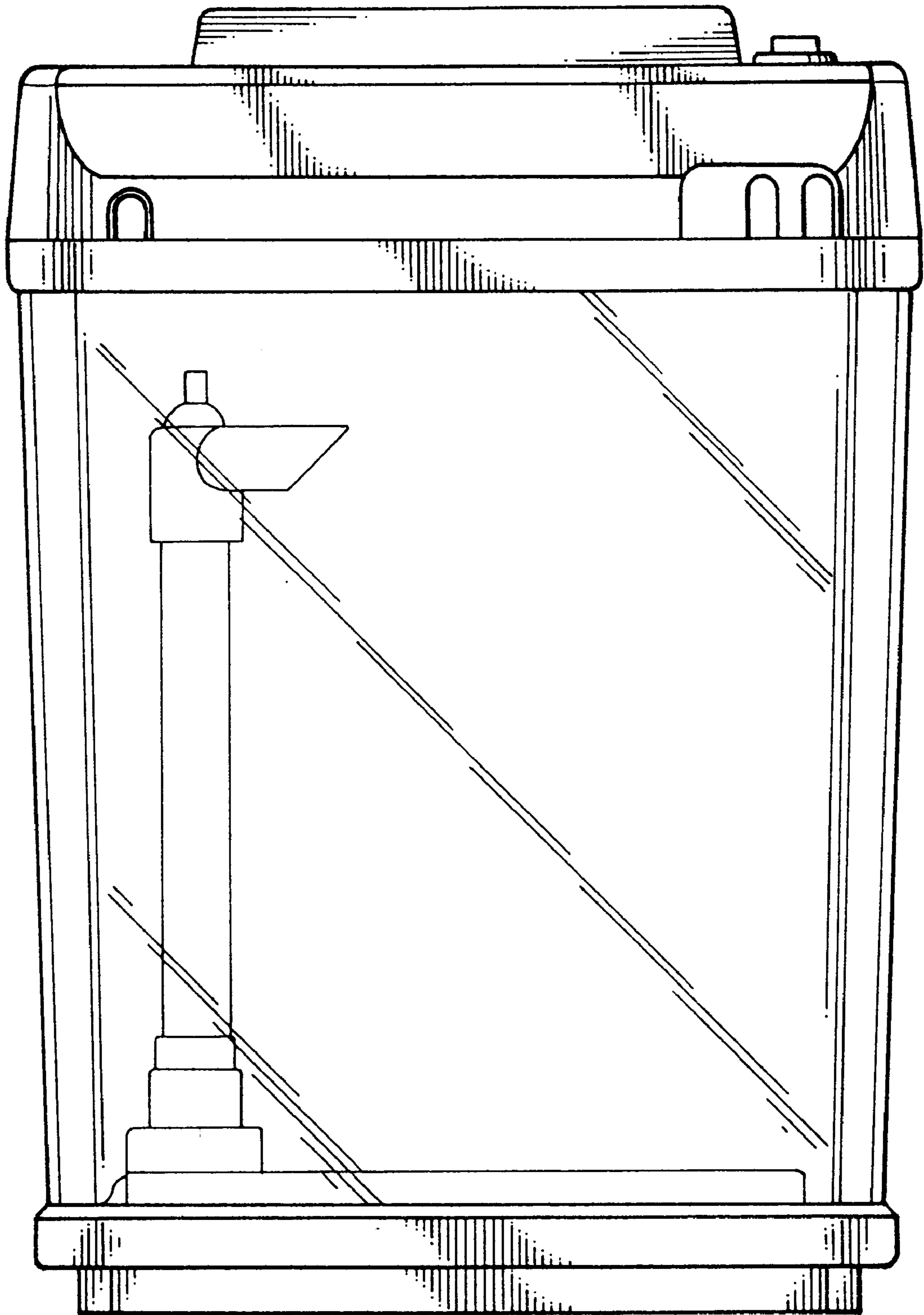


FIG. 3

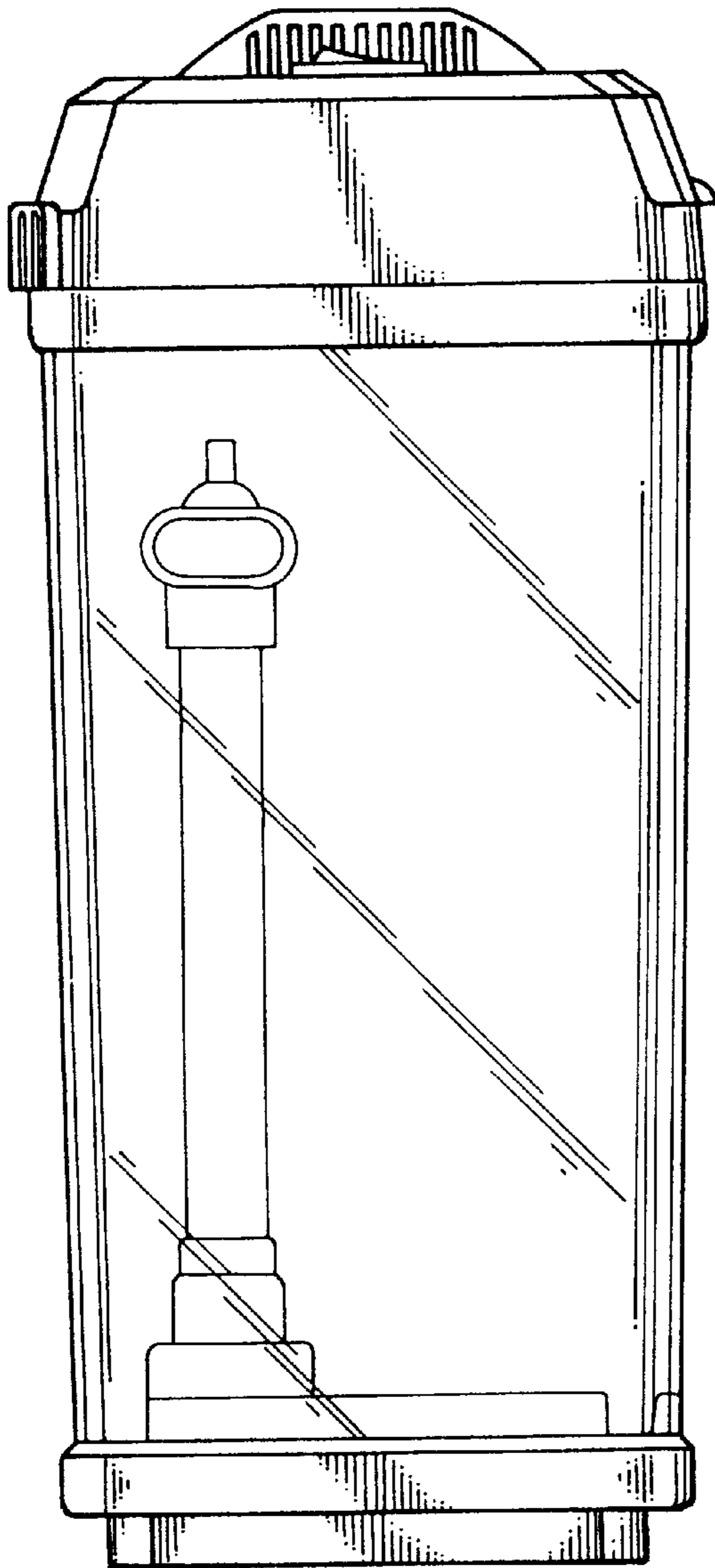


FIG. 4

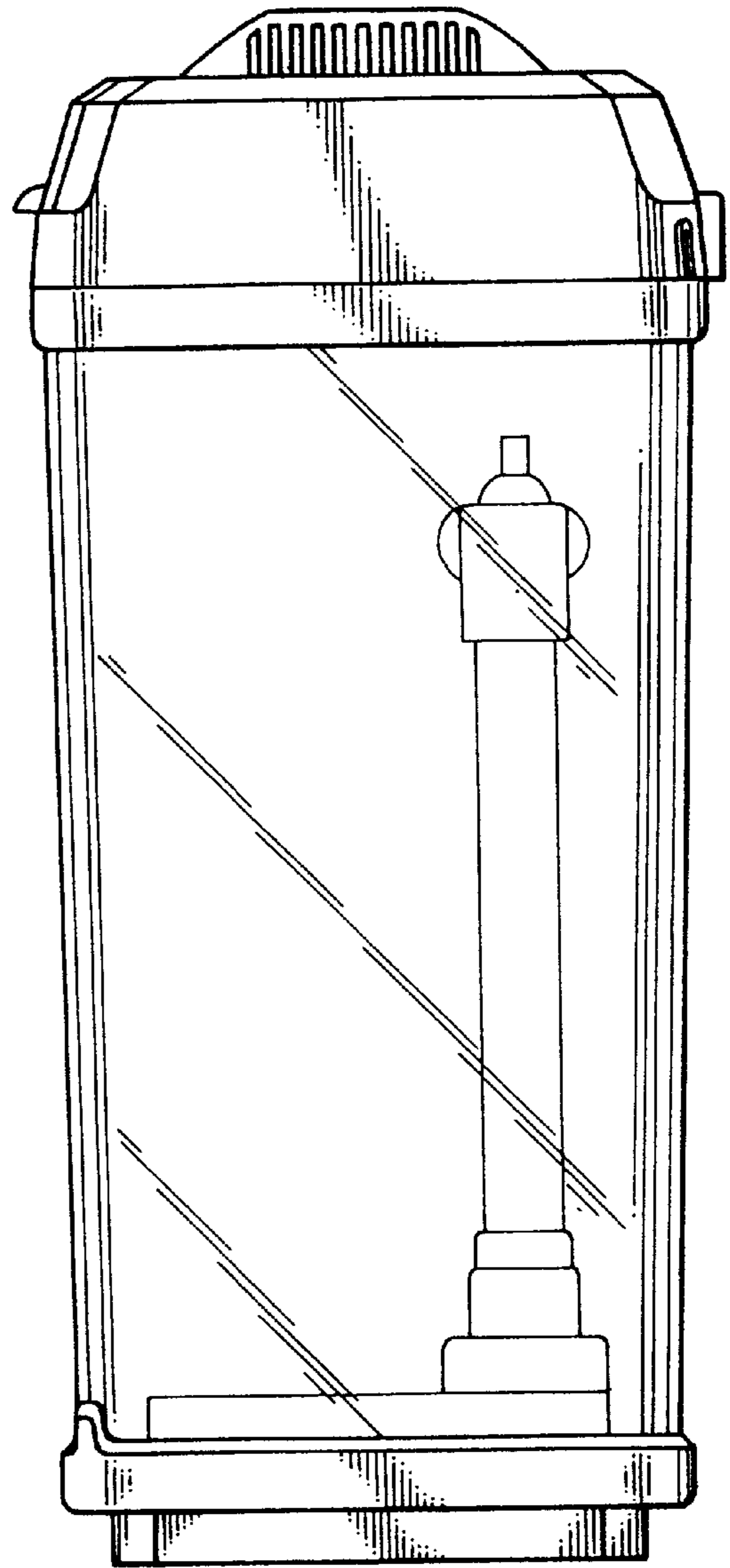


FIG. 5

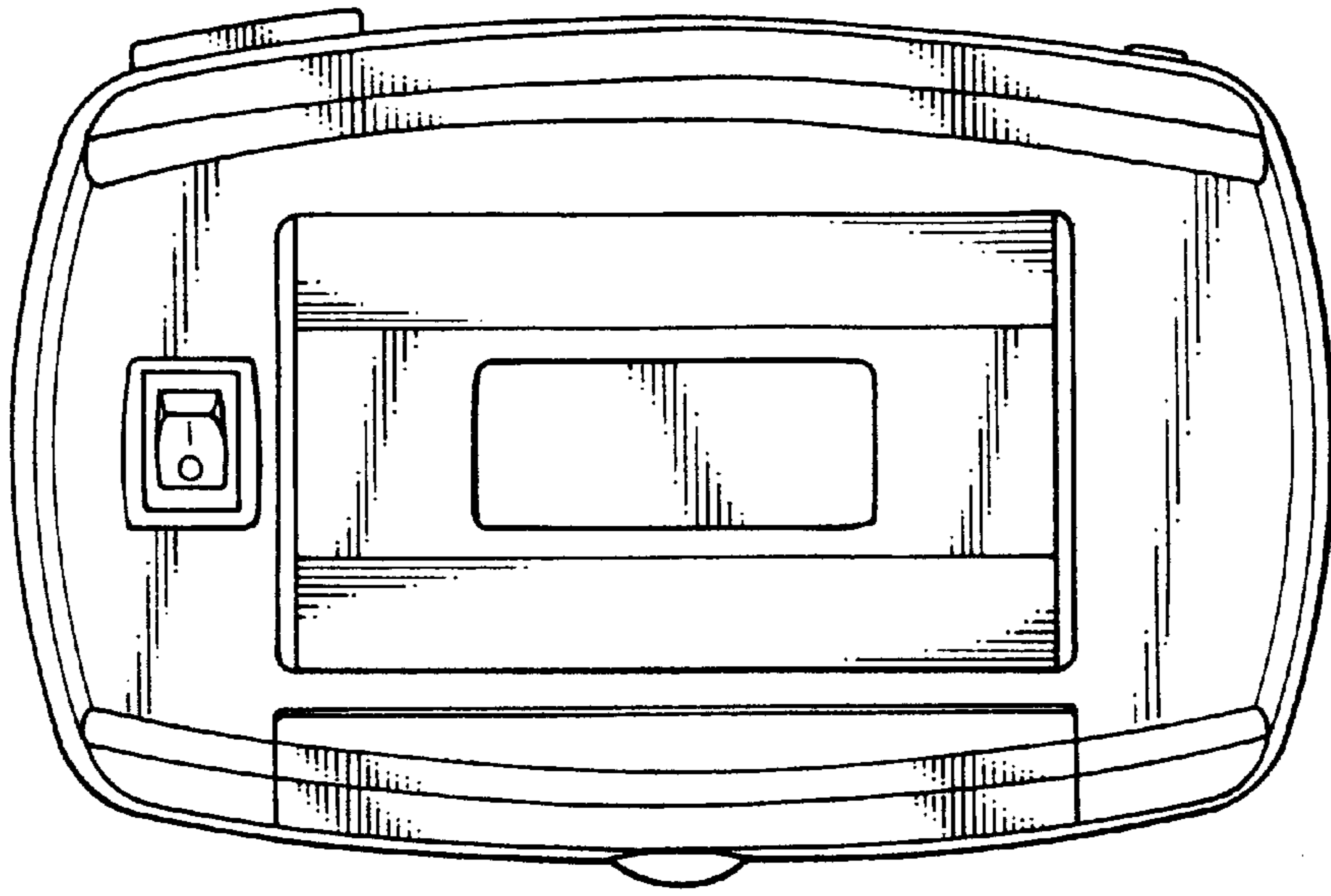


FIG. 6

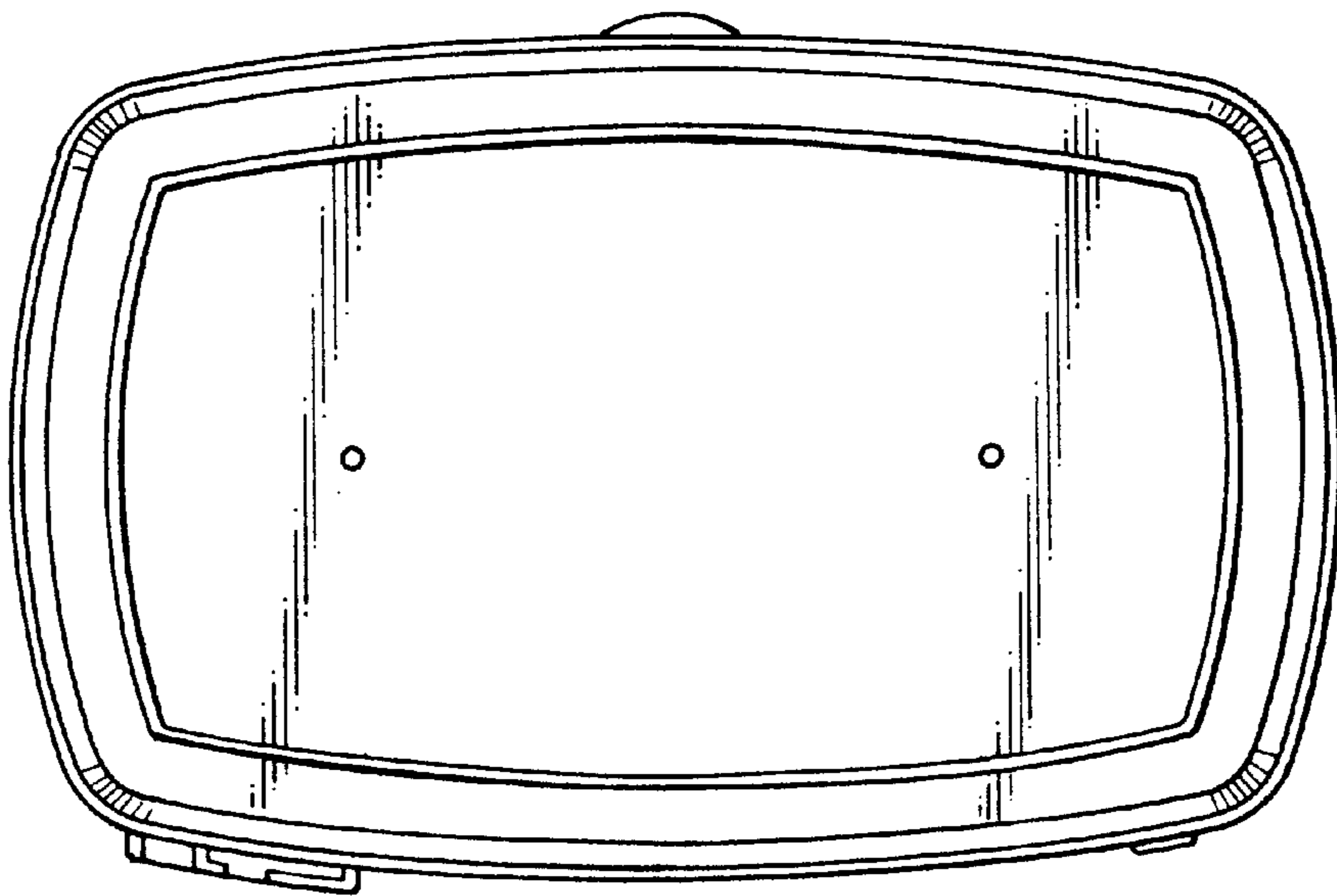


FIG. 7