



US00D423143S

# United States Patent [19] Cowell

[11] **Patent Number: Des. 423,143**

[45] **Date of Patent: \*\* Apr. 18, 2000**

[54] **DUAL HEAD RAZOR**  
[76] Inventor: **Tess Richard Cowell**, 625 Esplanade  
#24, Redondo Beach, Calif. 90277

5,199,173 4/1993 Hegemann et al. .... 30/49  
5,287,624 2/1994 Mondo et al. .... 30/41  
5,307,564 5/1994 Schoenberg ..... 30/50  
5,347,717 9/1994 Ts'ai ..... 30/50 X

[\*\*] Term: **14 Years**

### FOREIGN PATENT DOCUMENTS

[21] Appl. No.: **29/109,780**

2179286 3/1987 United Kingdom ..... 30/47  
2244668 12/1991 United Kingdom ..... 30/49

[22] Filed: **Aug. 19, 1999**

*Primary Examiner*—Ted Shooman  
*Assistant Examiner*—C Tuttle  
*Attorney, Agent, or Firm*—Goldstein & Canino

[51] **LOC (6) Cl.** ..... **28-03**

[52] **U.S. Cl.** ..... **D28/46**

[58] **Field of Search** ..... D28/44-48; 30/32,  
30/34.05, 47-51

### [57] CLAIM

The ornamental design for a dual head razor, as shown and described.

### [56] References Cited

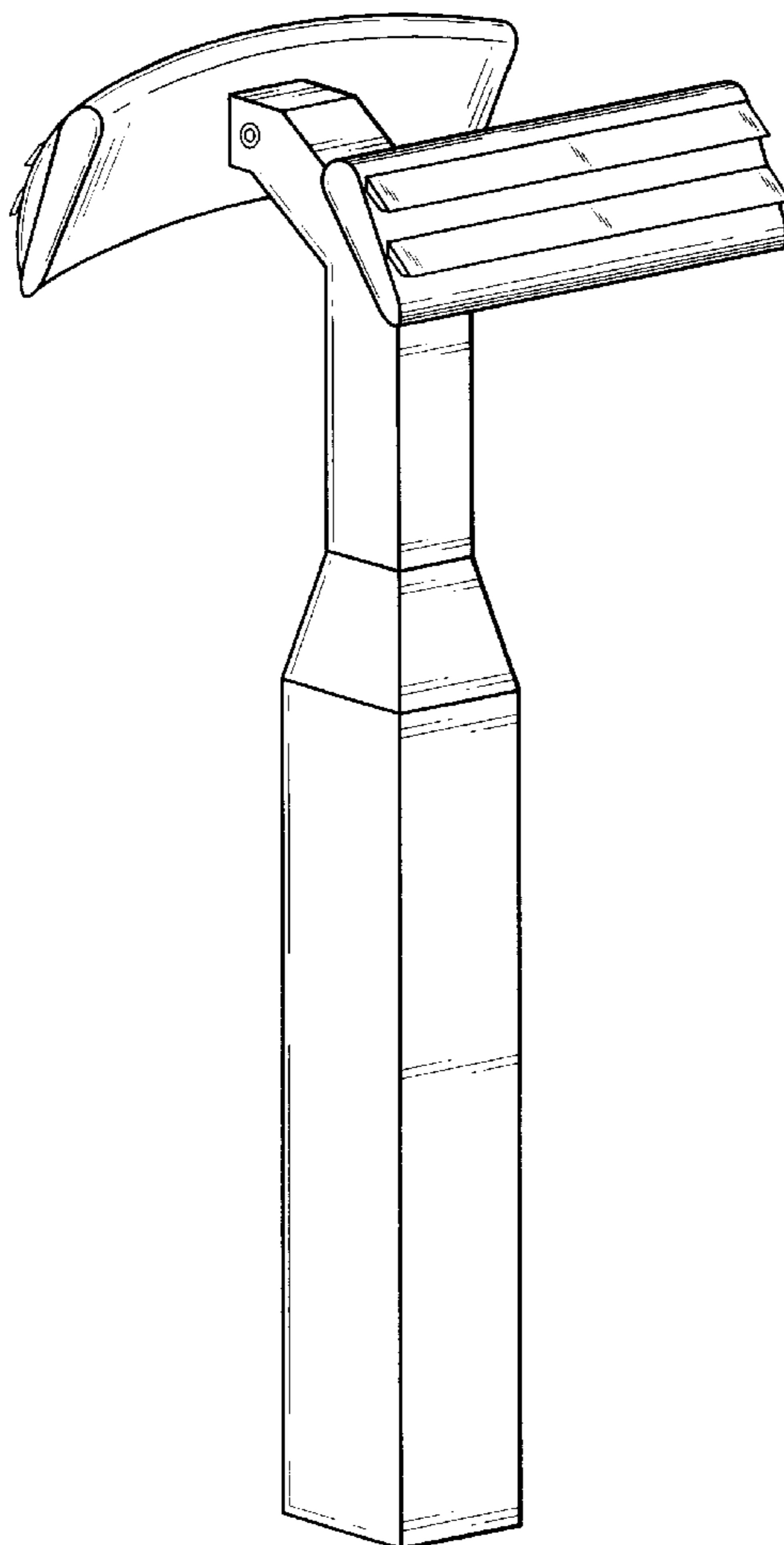
#### U.S. PATENT DOCUMENTS

D. 285,495	9/1986	Buddie	.....	D28/46
D. 287,059	12/1986	Gille	.....	D28/46
D. 310,889	9/1990	Concialdi	.....	D28/45
D. 343,922	2/1994	Ahlgren	.....	D28/46
D. 371,221	6/1996	Attaway	.....	D28/46
D. 378,147	2/1997	Hegemann	.....	D28/46
D. 388,541	12/1997	Drimmel	.....	D28/46
4,275,498	6/1981	Caiffone	.....	30/47
4,461,078	7/1984	Carreker	.....	30/47
4,501,066	2/1985	Sceberras	.....	30/50
4,974,319	12/1990	Maguire, Jr. et al.	.....	30/49

### DESCRIPTION

FIG. 1 is a diagrammatic perspective view of a dual head razor showing my new design;  
FIG. 2 is a front elevational view thereof;  
FIG. 3 is a rear elevational view thereof;  
FIG. 4 is a left side elevational view thereof, the right side elevational view being a mirror image of the left side view;  
FIG. 5 is a top plan view thereof; and,  
FIG. 6 is a bottom plan view thereof.

**1 Claim, 2 Drawing Sheets**



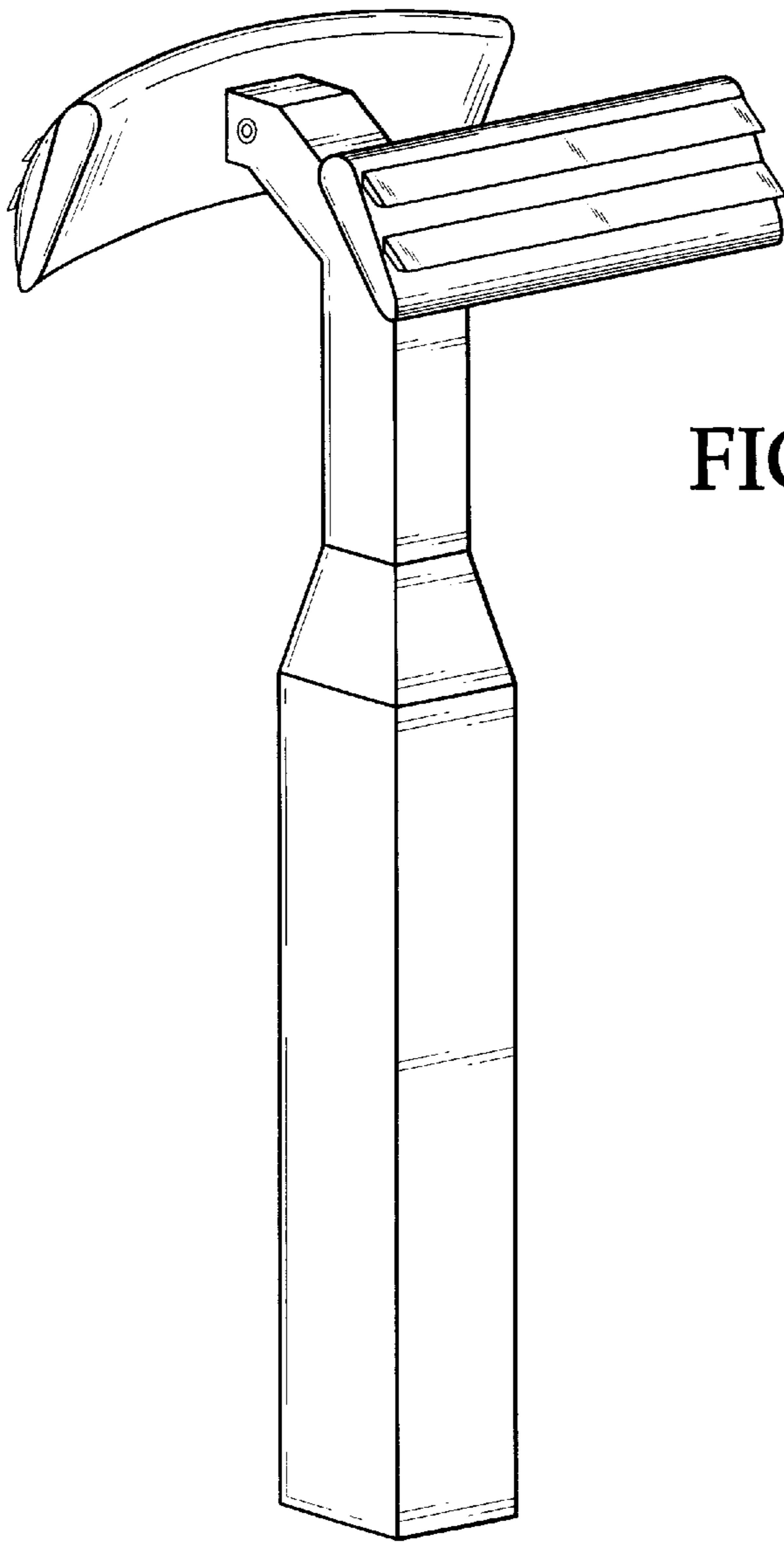


FIG. 1

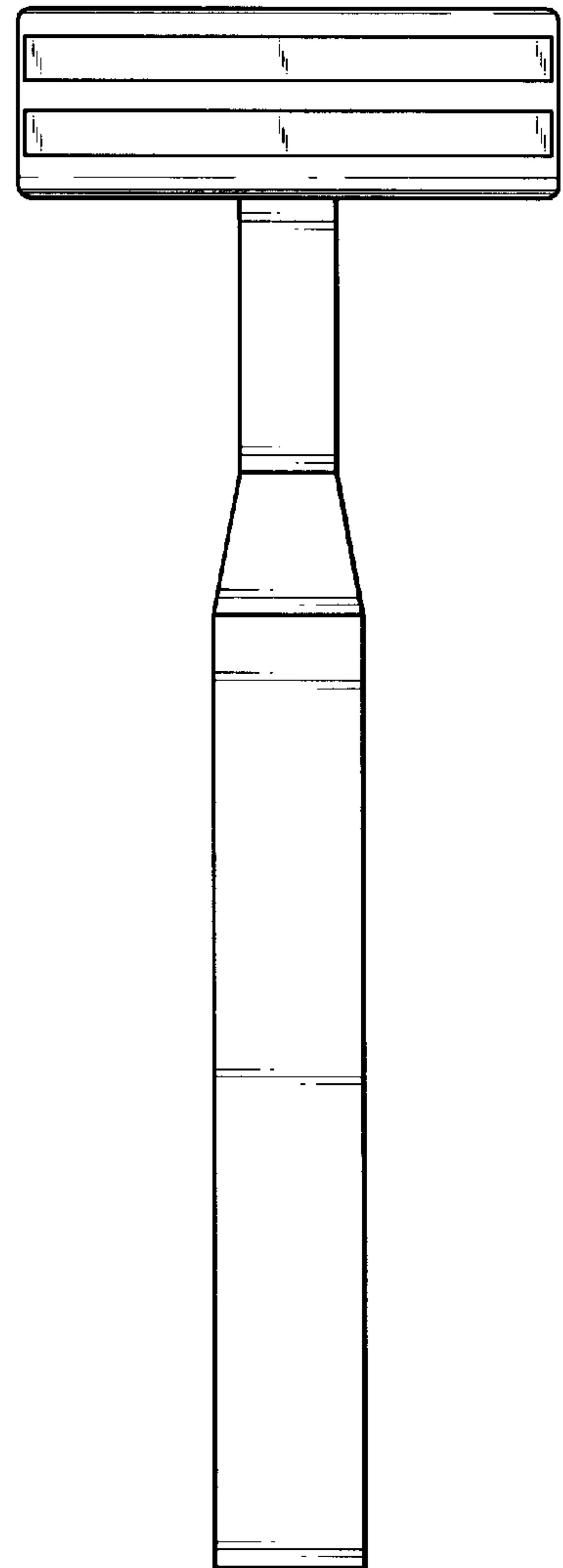


FIG. 2

