



US00D423136S

United States Patent [19]
Hsieh

[11] **Patent Number: Des. 423,136**

[45] **Date of Patent: ** Apr. 18, 2000**

[54] **DESK LAMP**

[75] Inventor: **Duan-Cheng Hsieh**, Taipei, Taiwan

[73] Assignee: **Habitex Corporation**, Taipei, Taiwan

[**] Term: **14 Years**

[21] Appl. No.: **29/106,553**

[22] Filed: **Jun. 17, 1999**

[51] **LOC (6) Cl.** **26-05**

[52] **U.S. Cl.** **D26/107; D26/63**

[58] **Field of Search** **D26/93, 102-112;**
362/410-414

[56] **References Cited**

U.S. PATENT DOCUMENTS

- D. 331,983 12/1992 Winn D26/63
- D. 331,984 12/1992 Winn D26/63

Primary Examiner—Susan J. Lucas
Attorney, Agent, or Firm—Morgan & Finnegan, LLP

[57] **CLAIM**

The ornamental design for desk lamp, as shown and described.

DESCRIPTION

FIG. 1 is a perspective view of desk lamp showing my new design;

FIG. 2 is a front elevational view thereof;

FIG. 3 is a rear elevational view thereof;

FIG. 4 is a left side elevational view thereof;

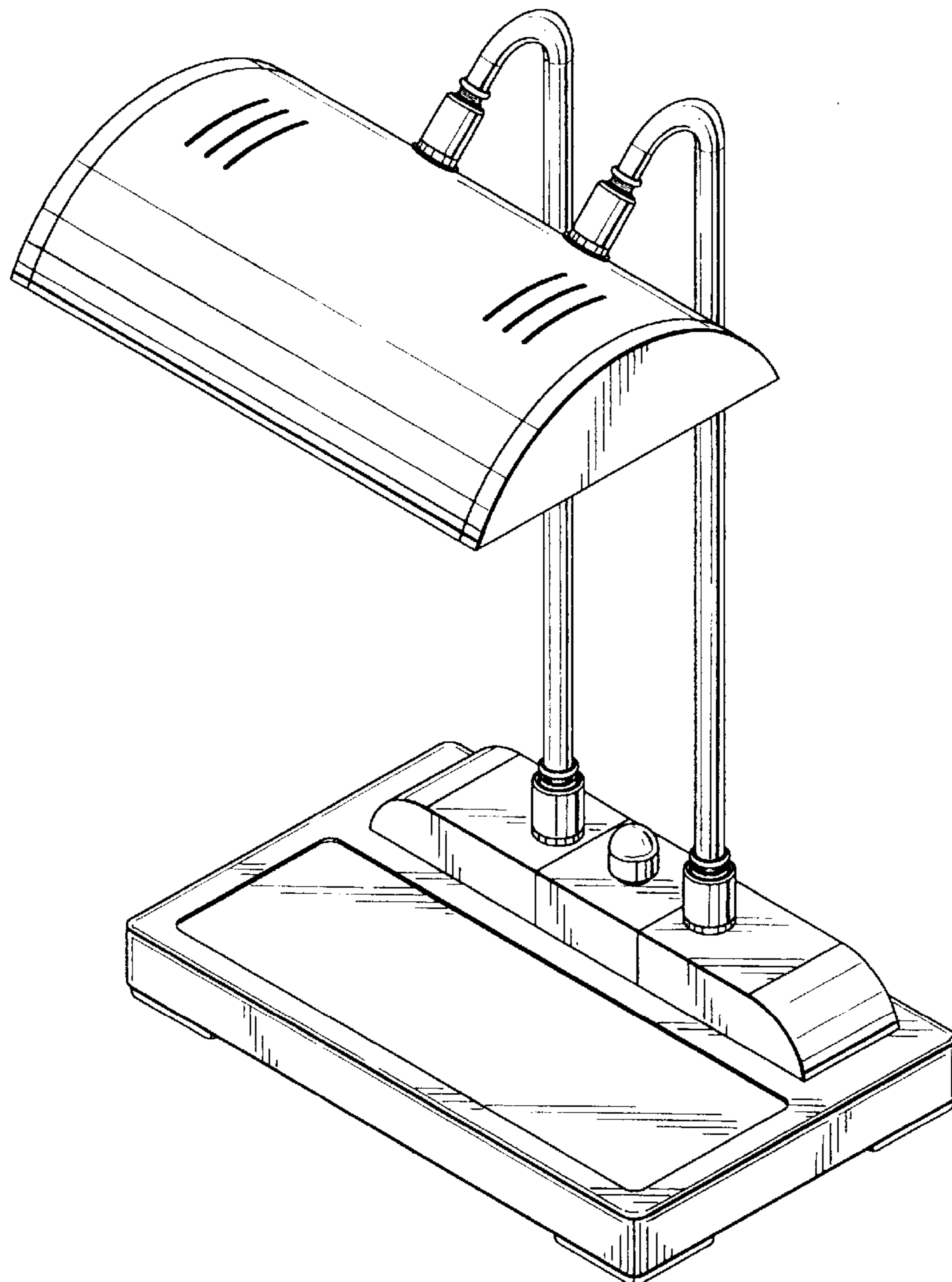
FIG. 5 is a right side elevational view thereof;

FIG. 6 is a top plan view thereof;

FIG. 7 is a bottom plan view thereof; and,

FIG. 8 is a side elevation view showing the lamp in an alternate position.

1 Claim, 5 Drawing Sheets



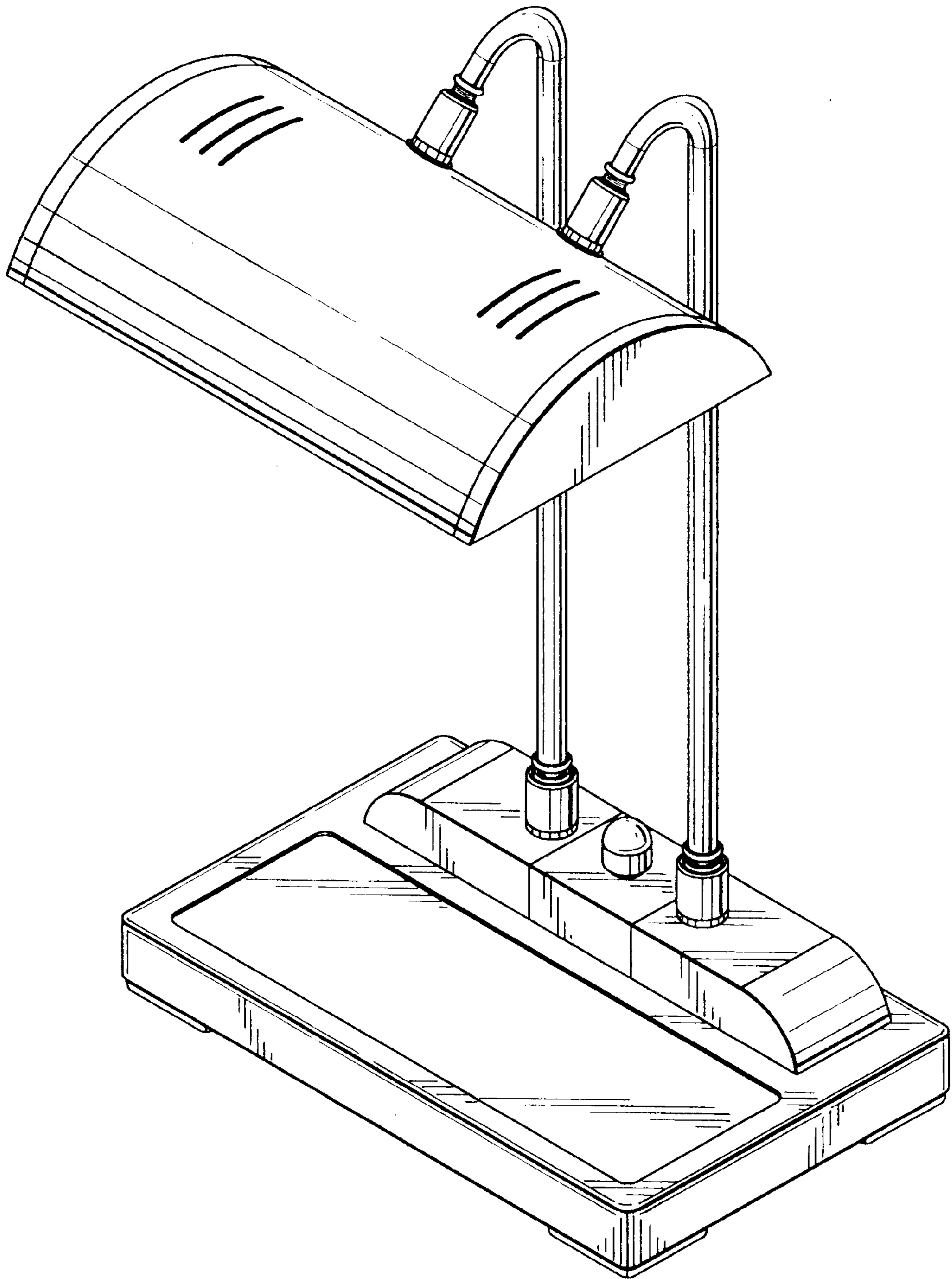


FIG. 1

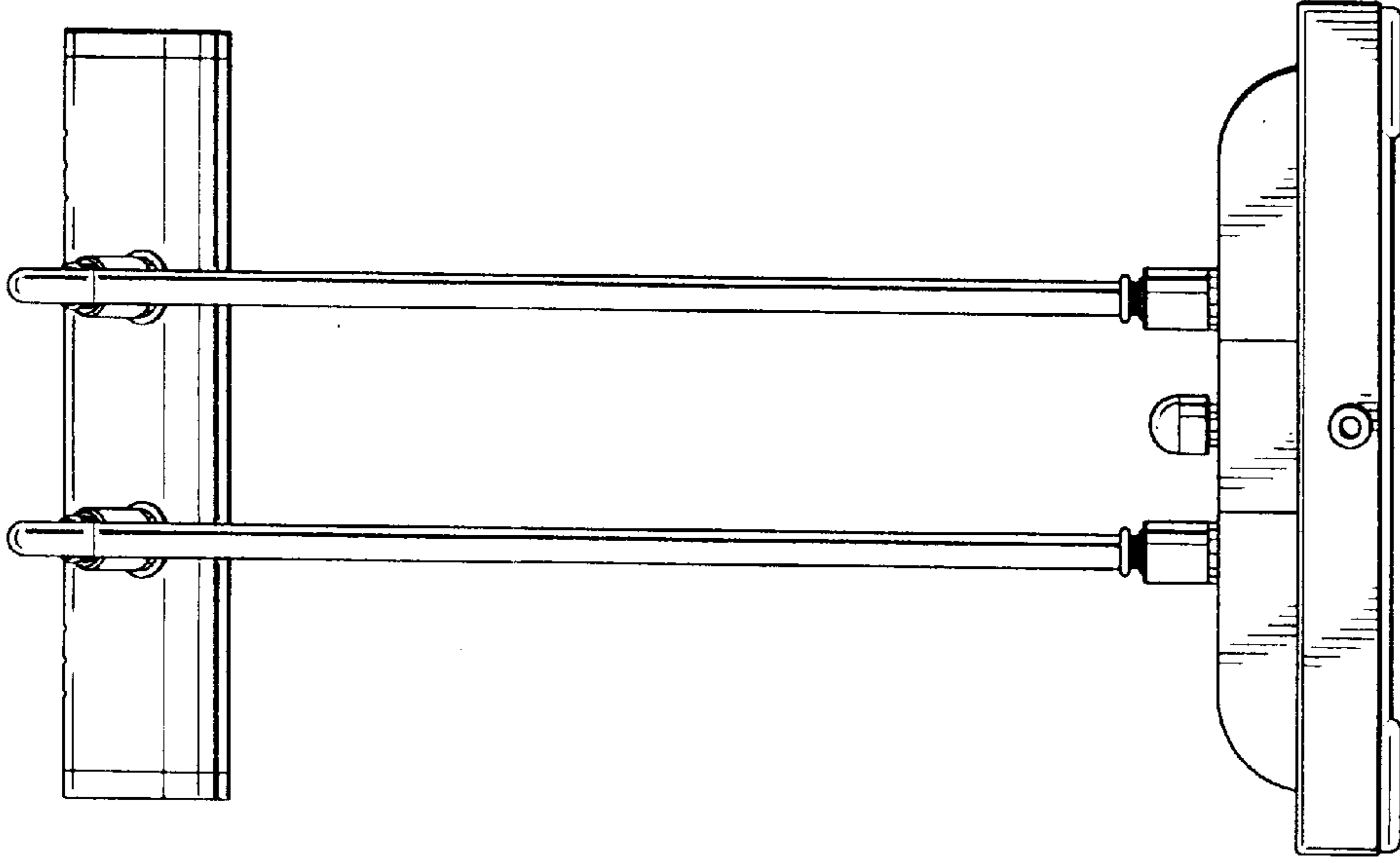


FIG. 3

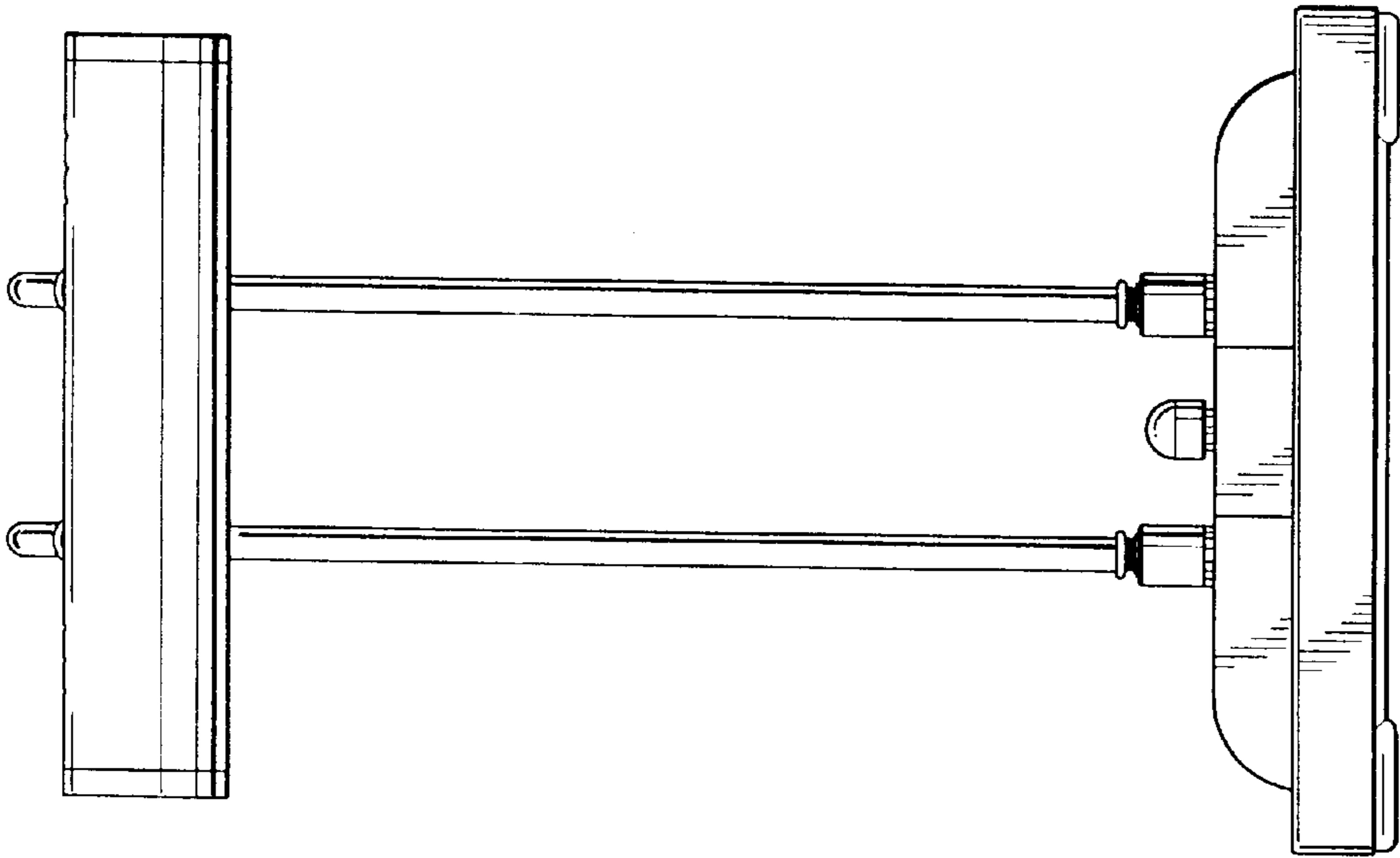


FIG. 2

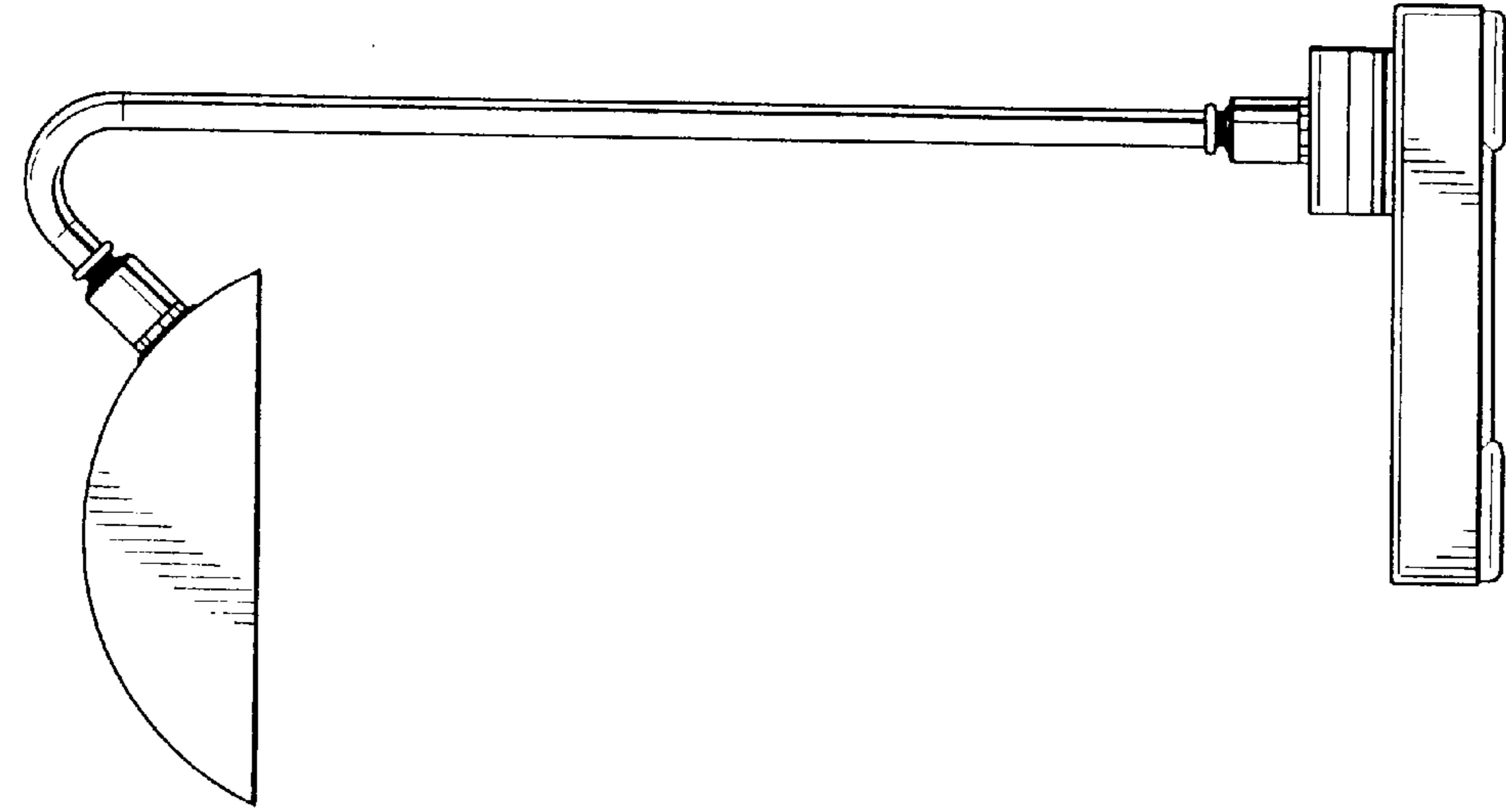


FIG. 5

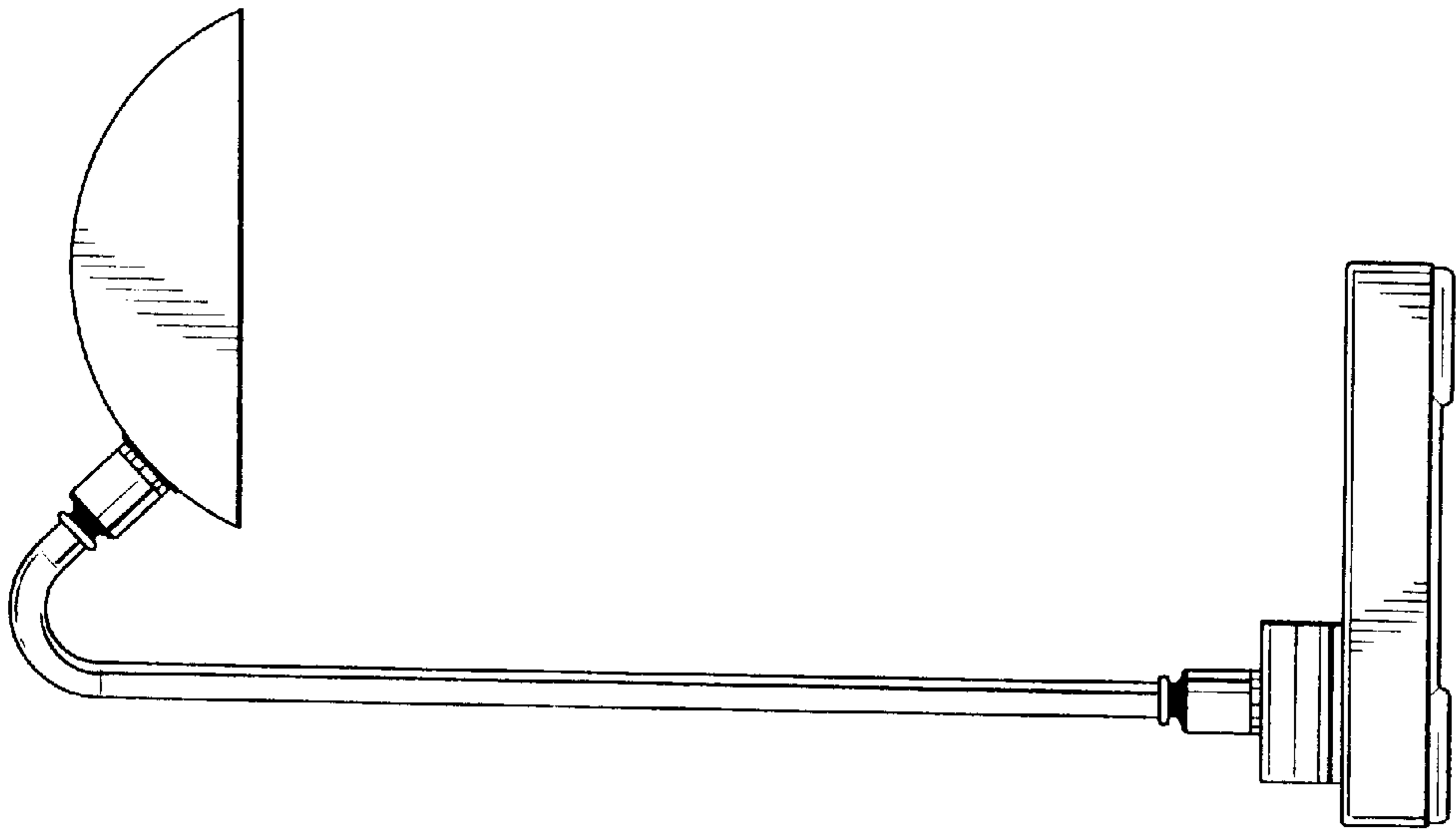


FIG. 4

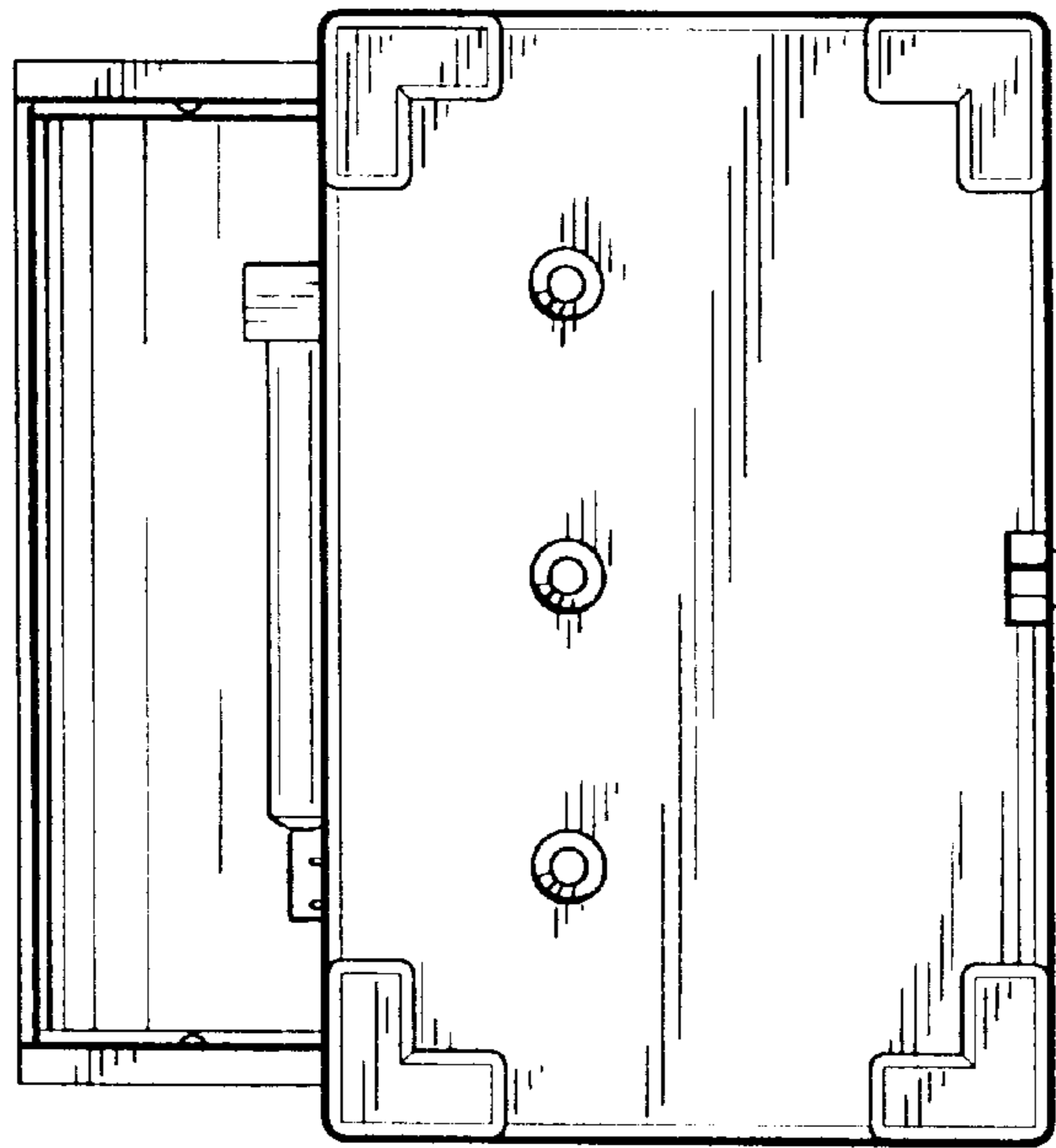


FIG. 7

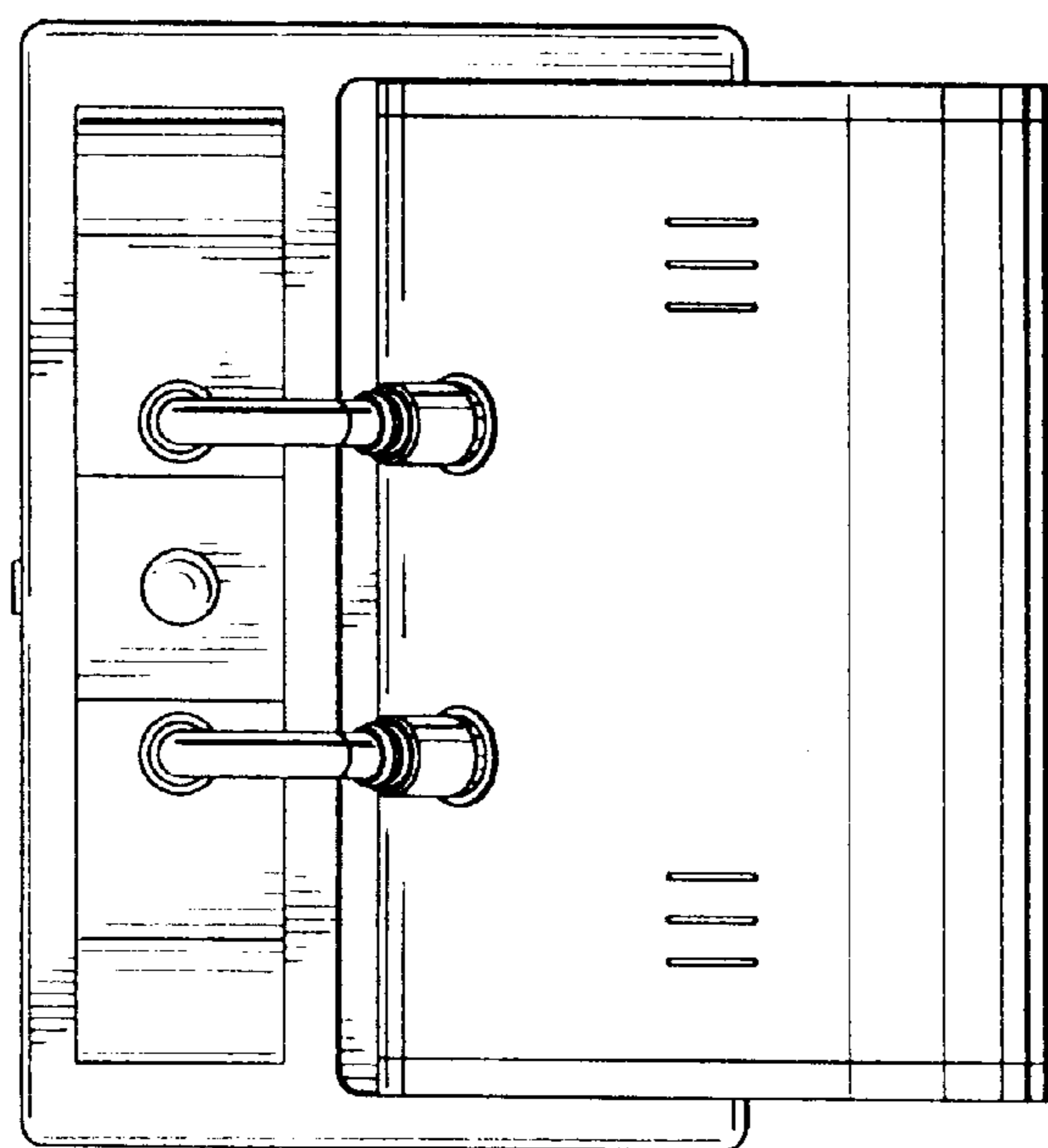


FIG. 6

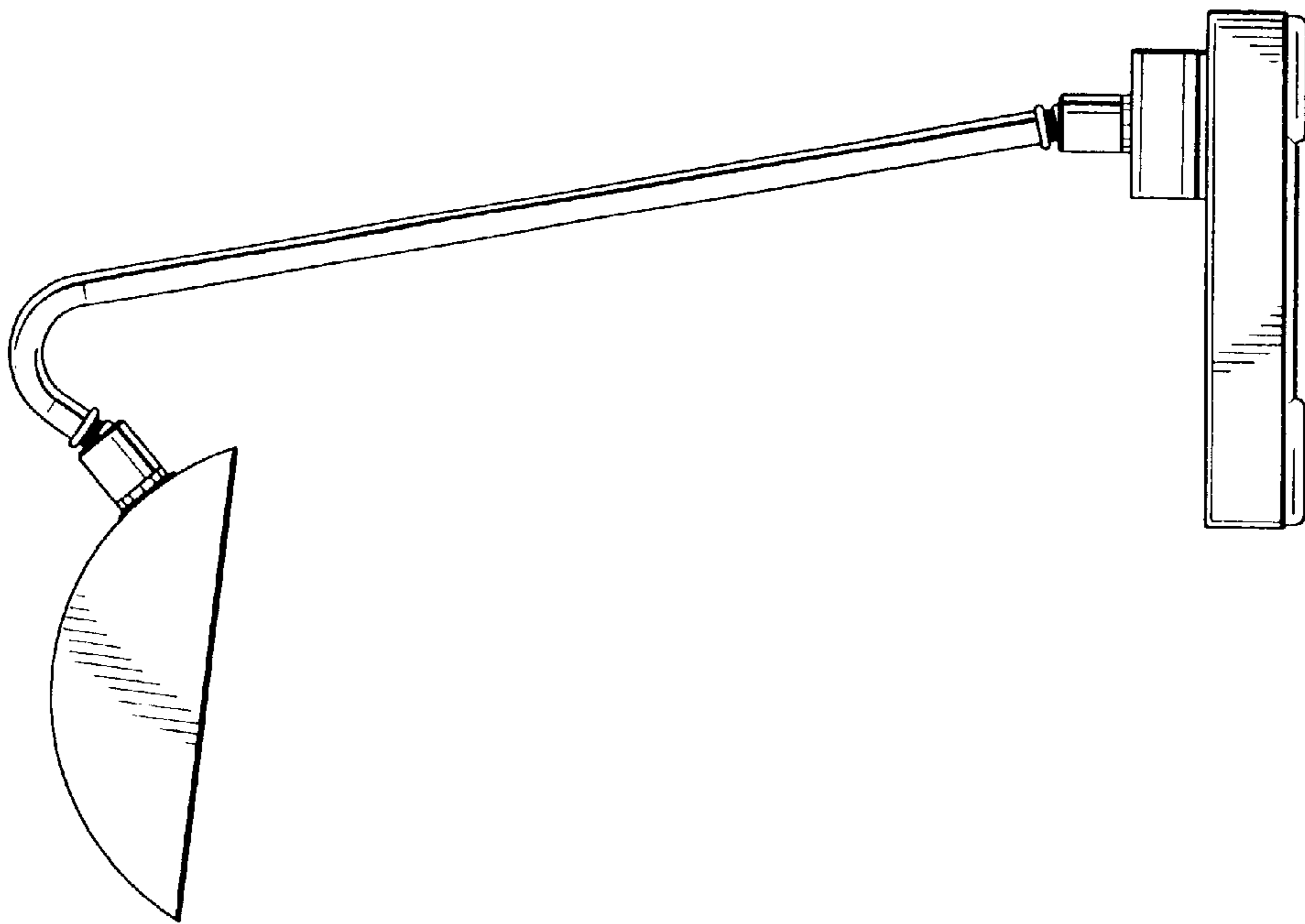


FIG. 8