



US00D423132S

United States Patent [19]
Perenzin

[11] **Patent Number: Des. 423,132**

[45] **Date of Patent: ** Apr. 18, 2000**

[54] **LIGHTING FIXTURE**

[75] Inventor: **Guerrino Perenzin**, Quero, Italy

[73] Assignee: **Davoil, Inc.**, Fort Worth, Tex.

[**] Term: **14 Years**

[21] Appl. No.: **29/081,637**

[22] Filed: **Jan. 7, 1998**

[51] **LOC (6) Cl.** **26-05**

[52] **U.S. Cl.** **D26/85; D26/155**

[58] **Field of Search** D26/72, 73, 80-92,
D26/142, 143, 144, 149, 152, 155, 156;
362/147, 404-408, 432, 806

[56] **References Cited**

U.S. PATENT DOCUMENTS

D. 371,863 7/1996 Ruiz D26/156

OTHER PUBLICATIONS

Corbett lighting catalog, p. 15, ceiling lamp, 1992.
Home Lighting and Accessories, p. 211, ceiling lamp, Dec.
1996.

Primary Examiner—Susan J. Lucas
Attorney, Agent, or Firm—Felsman, Bradley, Vaden, Gunter
& Dillon, LLP

[57] **CLAIM**

The ornamental design for a lighting fixture, as shown and described.

DESCRIPTION

FIG. 1 is a front view of the lighting fixture, with the rear view being a mirror image of the front view;

FIG. 2 is a top view of the lighting fixture;

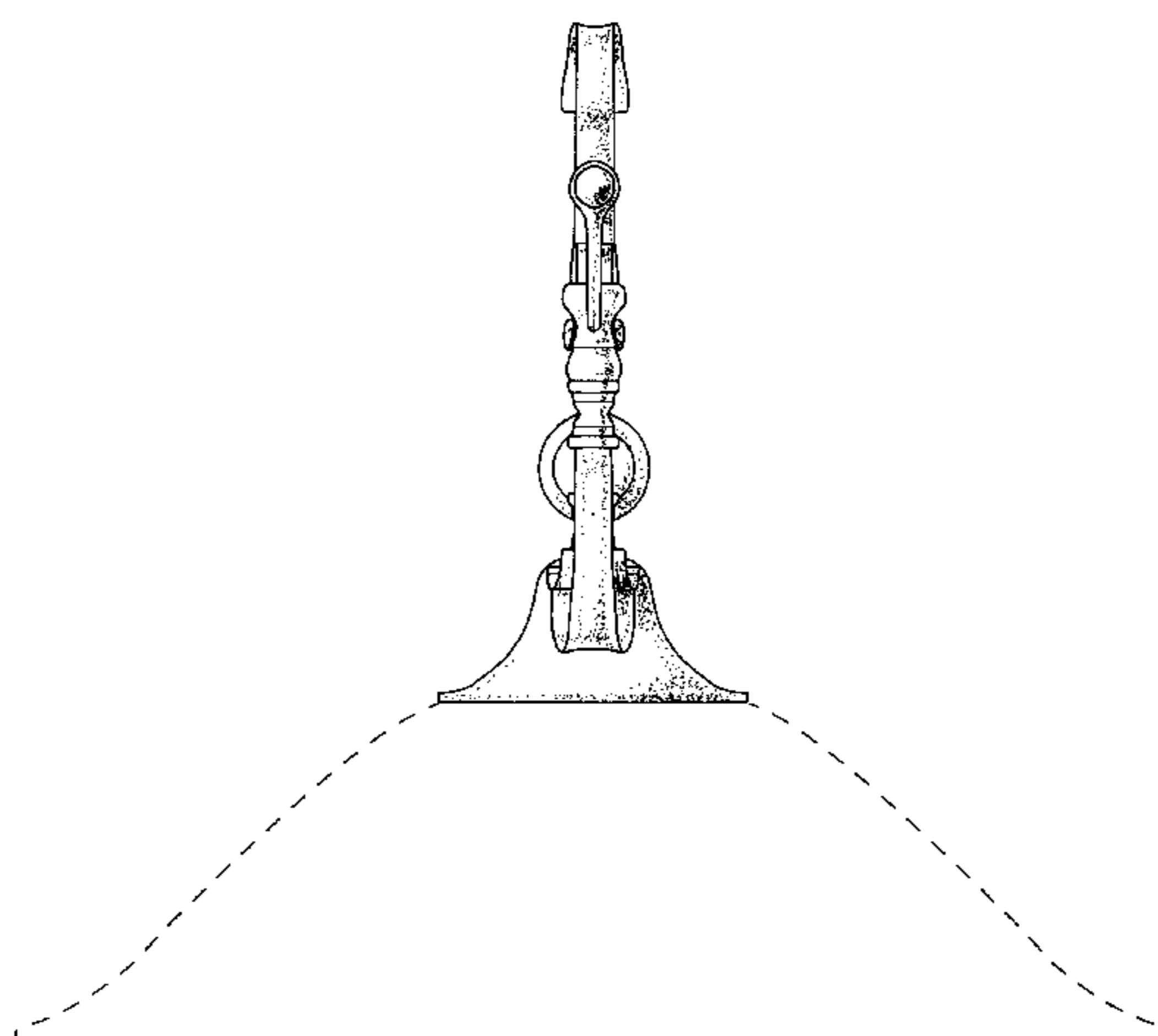
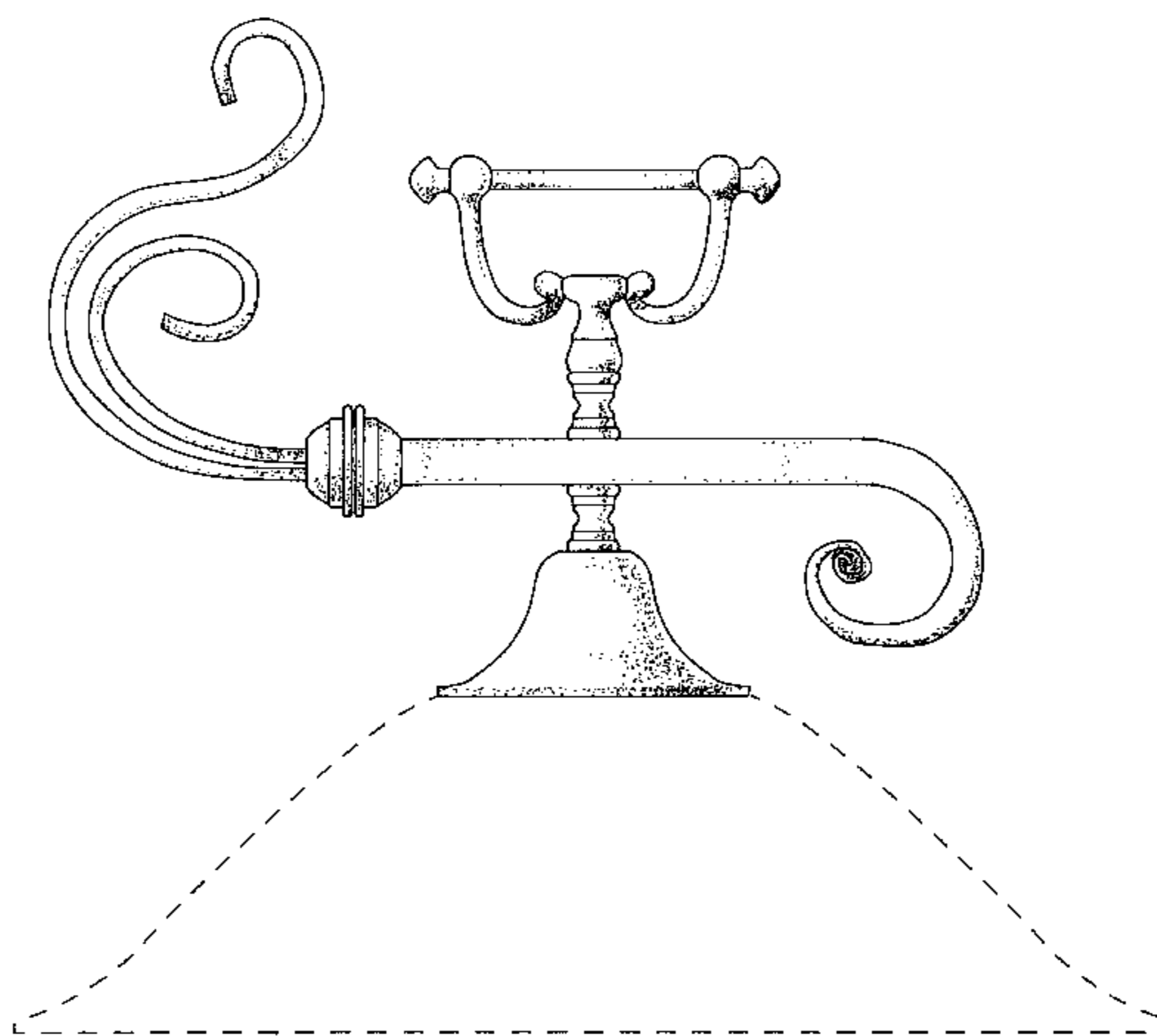
FIG. 3 is a bottom view of the lighting fixture;

FIG. 4 is a right side view of the lighting fixture; and,

FIG. 5 is a left side view of the lighting fixture.

The broken lines showing the glass lampshade is for illustrative purposes only and forms no part of the claimed design. The stippling is for shading purposes only, and forms no part of the claimed invention.

1 Claim, 5 Drawing Sheets



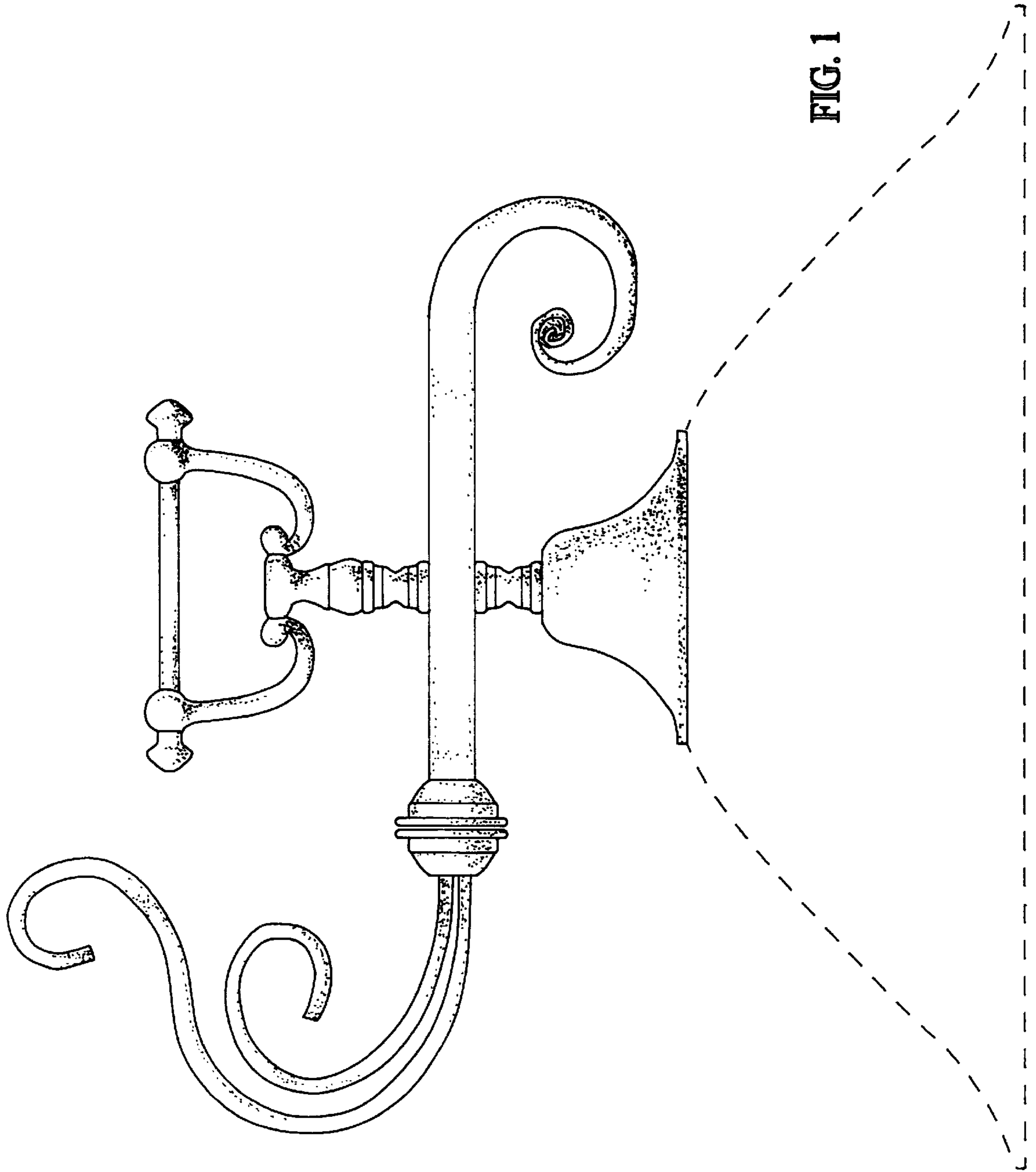


FIG. 1

FIG. 2

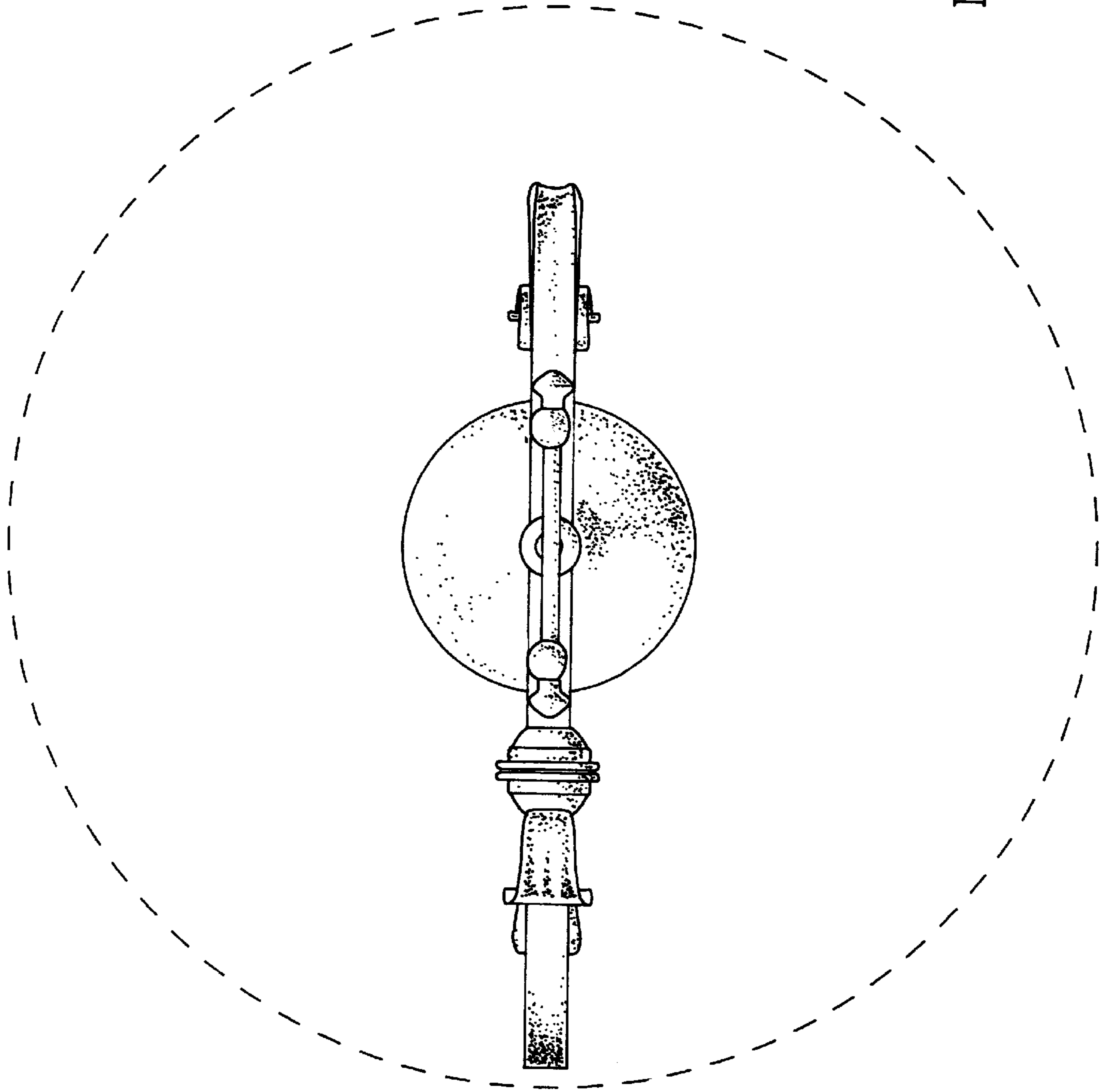
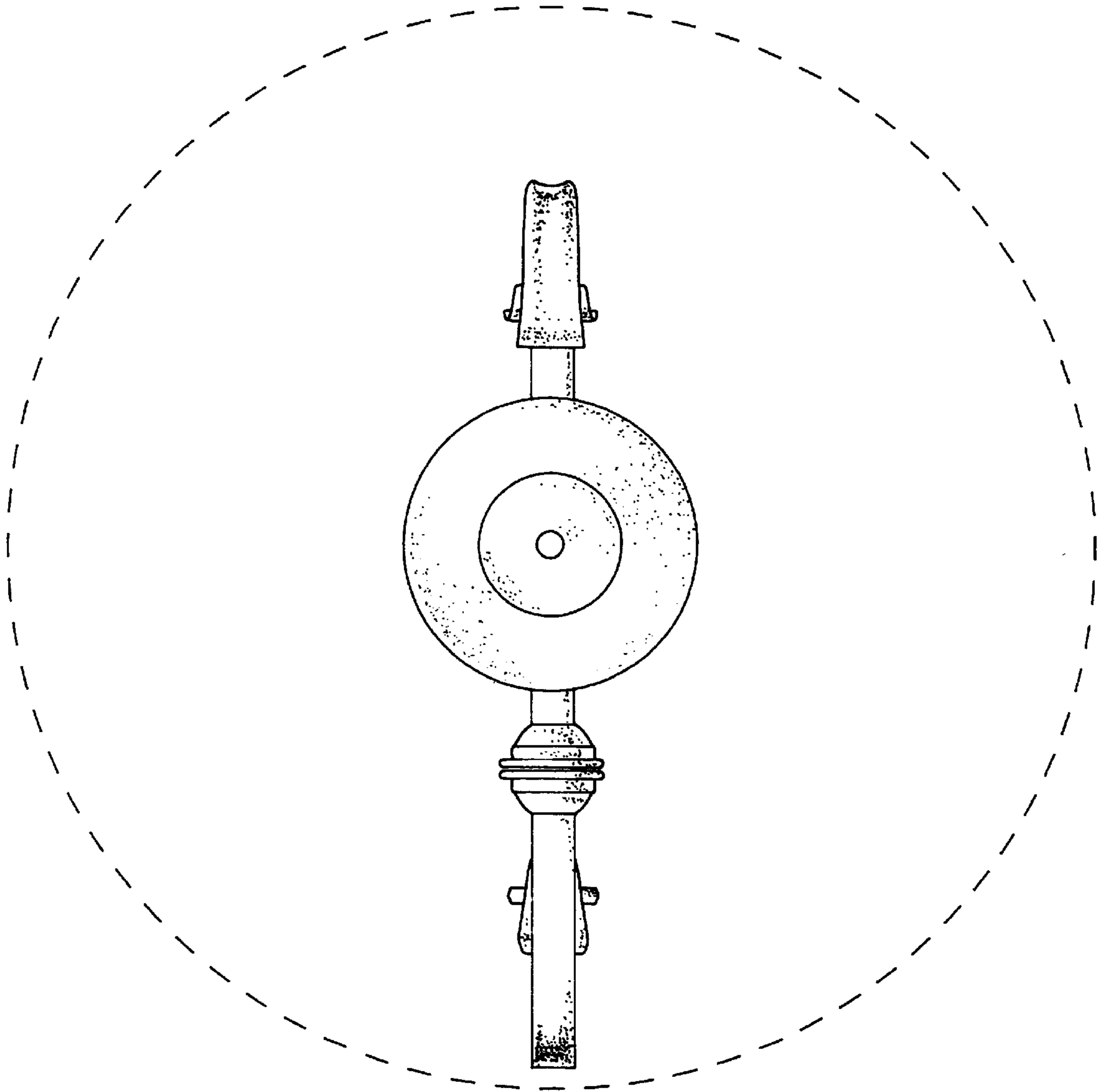


FIG. 3



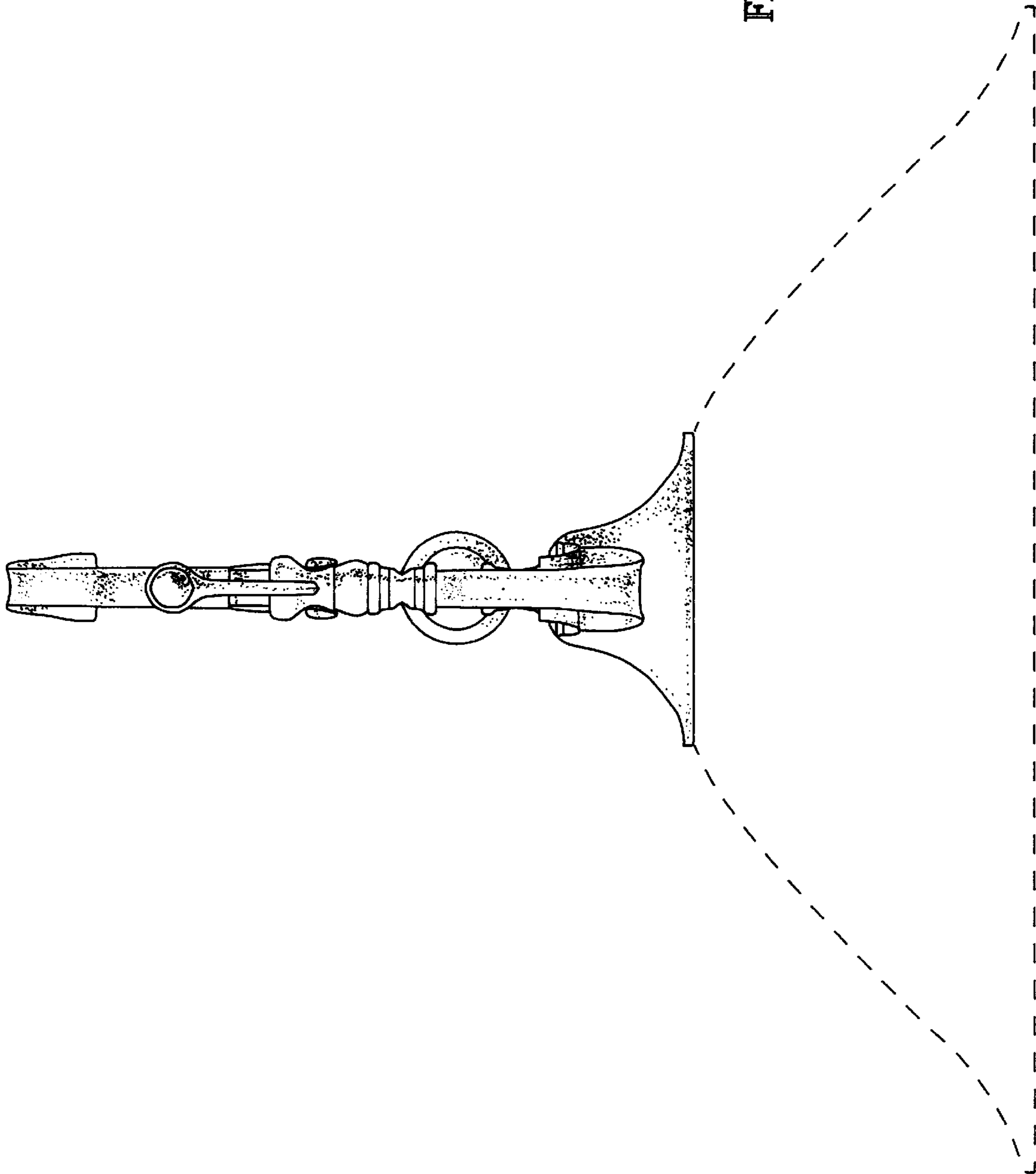


FIG. 4

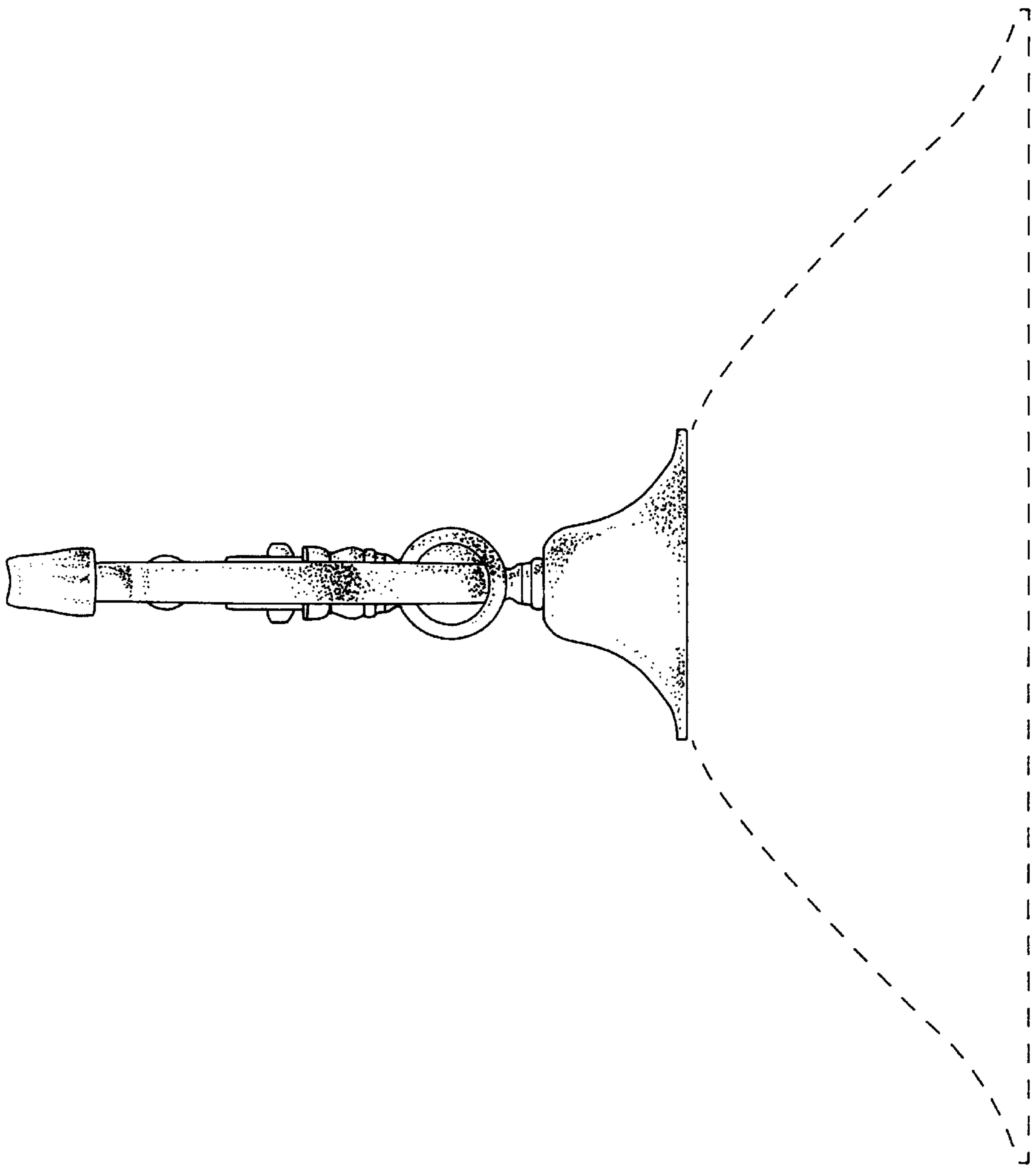


FIG. 5