



US00D423131S

**United States Patent** [19]  
**Giese et al.**

[11] **Patent Number: Des. 423,131**  
[45] **Date of Patent: \*\* Apr. 18, 2000**

[54] **OUTDOOR LIGHT FIXTURE**

[76] Inventors: **Robert D. Giese**, 6307 5th Ave.,  
Kenosha, Wis. 53140; **Kenneth E. Olsen**, 3111 91st St.,  
Sturtevant, Wis. 53177

[\*\*] Term: **14 Years**

[21] Appl. No.: **29/099,400**

[22] Filed: **Jan. 20, 1999**

[51] **LOC (6) Cl.** ..... **26-05**

[52] **U.S. Cl.** ..... **D26/68**

[58] **Field of Search** ..... D26/67-71; 362/153,  
362/153.1, 431

[56] **References Cited**

**U.S. PATENT DOCUMENTS**

- D. 316,459 4/1991 Kira .
- D. 319,891 9/1991 Giese .
- D. 323,567 1/1992 Denison et al. .
- D. 333,529 2/1993 Denison et al. .
- D. 360,961 8/1995 Czerlanis et al. .
- D. 360,962 8/1995 Cornell et al. .
- D. 360,963 8/1995 Czerlanis et al. .
- D. 360,964 8/1995 Cullen et al. .
- D. 360,965 8/1995 Cullen et al. .
- D. 366,713 1/1996 Cornell et al. .
- D. 382,308 8/1997 Cornell et al. .
- D. 390,681 2/1998 Denison et al. .
- D. 392,763 3/1998 Denison et al. .
- D. 393,090 3/1998 Giese et al. .

**FOREIGN PATENT DOCUMENTS**

31988 12/1969 Canada .

**OTHER PUBLICATIONS**

- Lighting Catalog, Bright Yin Huey Co., Ltd., 1995.
- Landscape Architecture*, Jun. 1997, p. 63.
- Architectural Grade Landscape Lighting Products catalog, Intermatic, 1993.
- Architectural Grade Landscape Lighting Products catalog, Intermatic, May 1995.
- Imaginative Illumination catalog, Intermatic, 1992.
- Distributor Confidential Price List, Intermatic, Jan. 1, 1996.
- Taiwan Lighting, p. 181, Exterior Light (A), top left side of page, Feb. 1998.

*Primary Examiner*—Lisa Lichtenstein  
*Attorney, Agent, or Firm*—Brinks Hofer Gilson & Lione

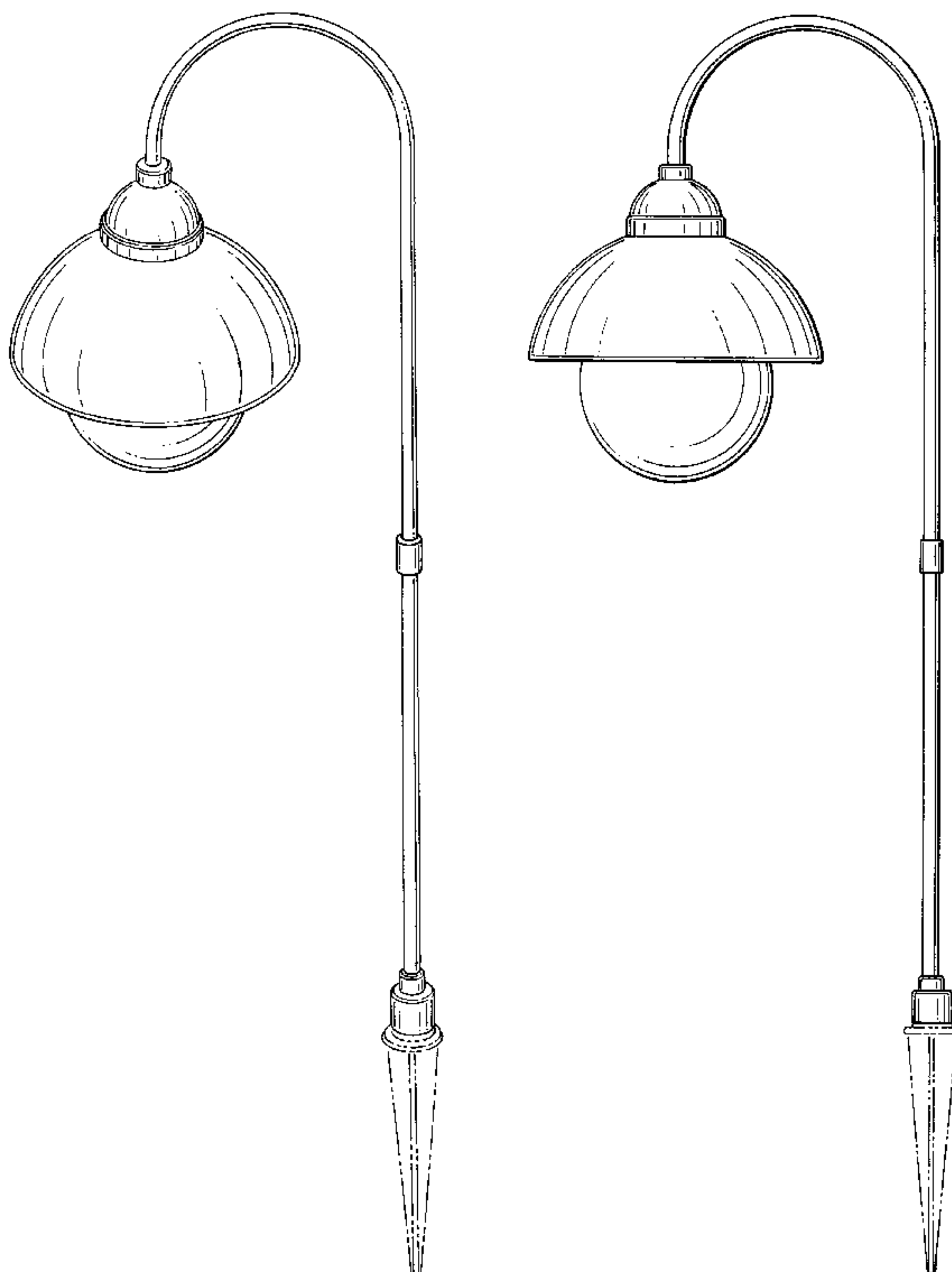
[57] **CLAIM**

The ornamental design for an outdoor light fixture, as shown and described.

**DESCRIPTION**

FIG. 1 is a perspective view of an outdoor light fixture showing our new design;  
FIG. 2 is a rear view thereof;  
FIG. 3 is a side view thereof, the opposite side being a mirror image of that shown;  
FIG. 4 is a front view thereof;  
FIG. 5 is a top view thereof; and,  
FIG. 6 is a bottom view thereof.  
The broken line showing of environmental structure in FIGS. 1-4 is for illustrative purposes only and forms no part of the claimed design.

**1 Claim, 3 Drawing Sheets**



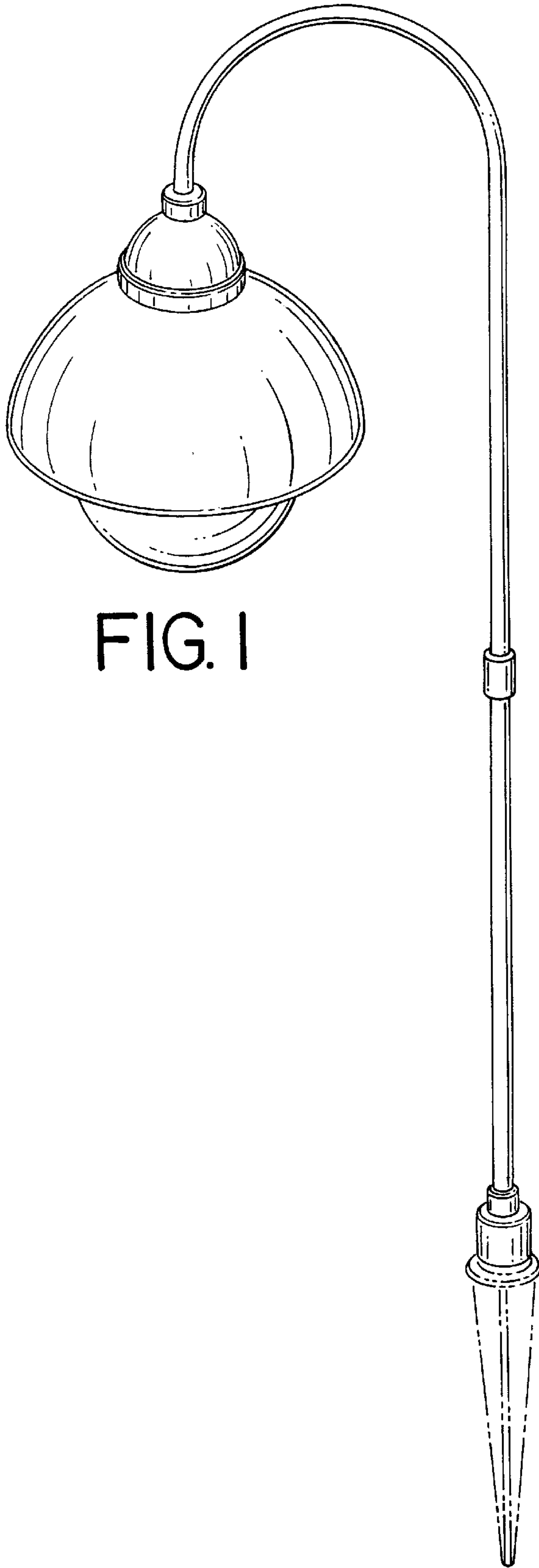
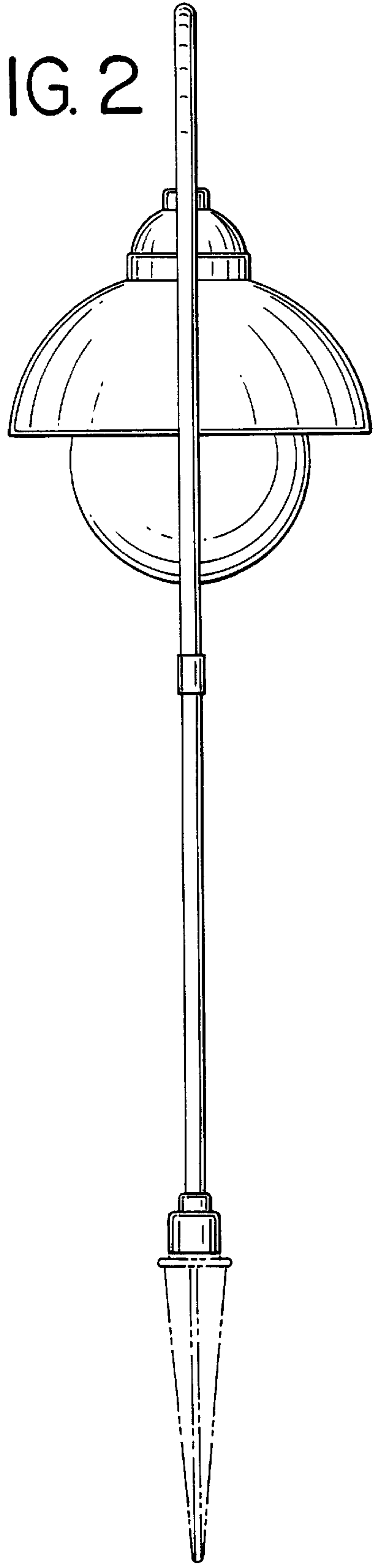


FIG. 1

FIG. 2



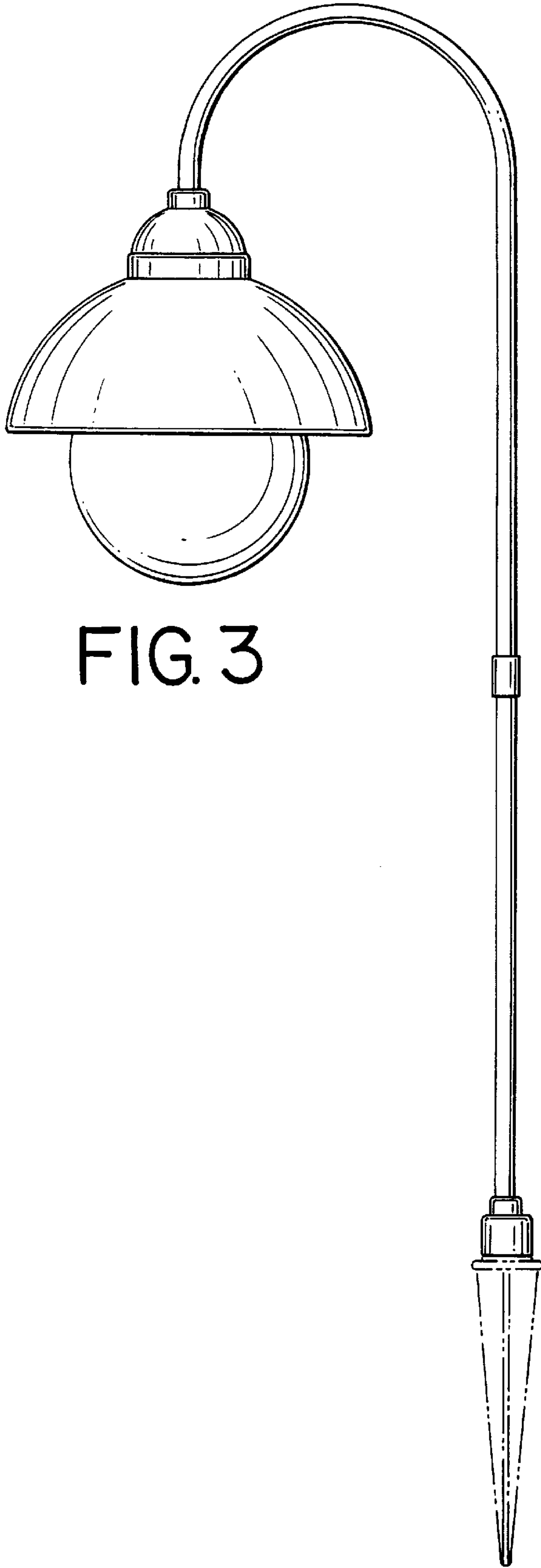


FIG. 3

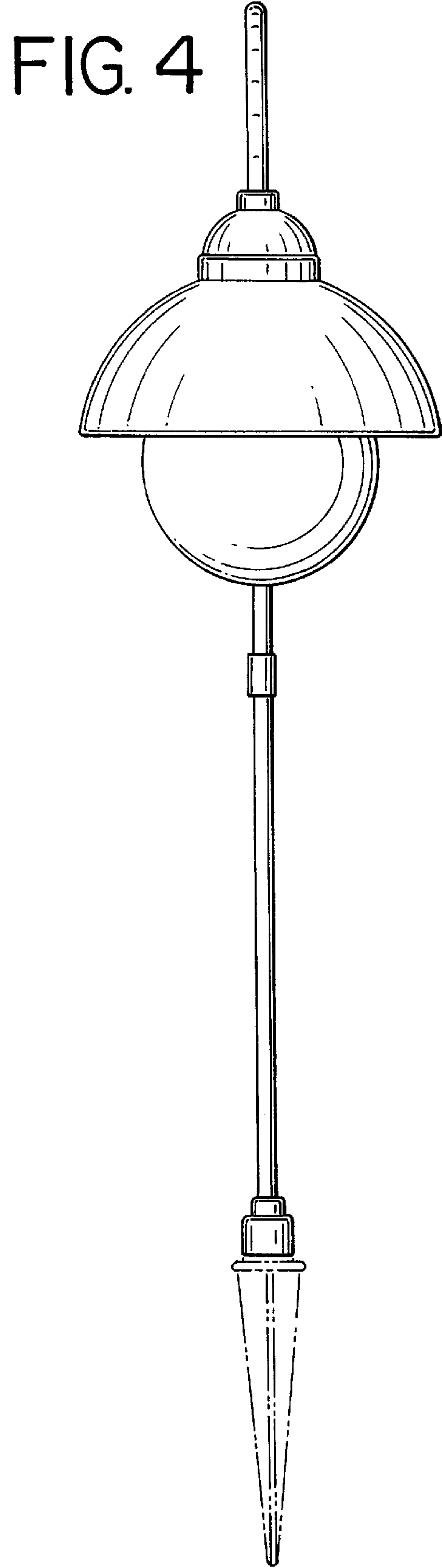


FIG. 4

FIG. 5

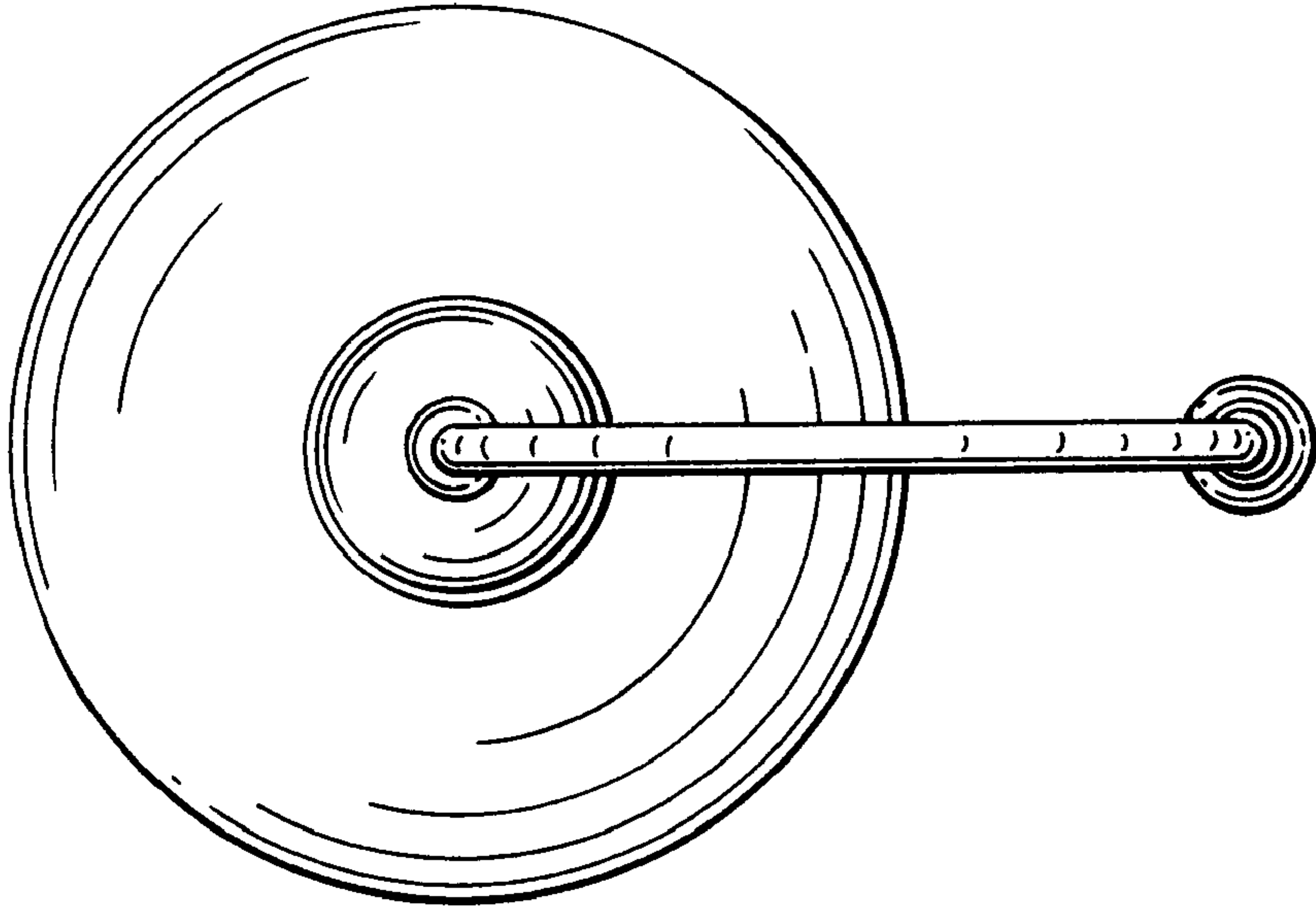
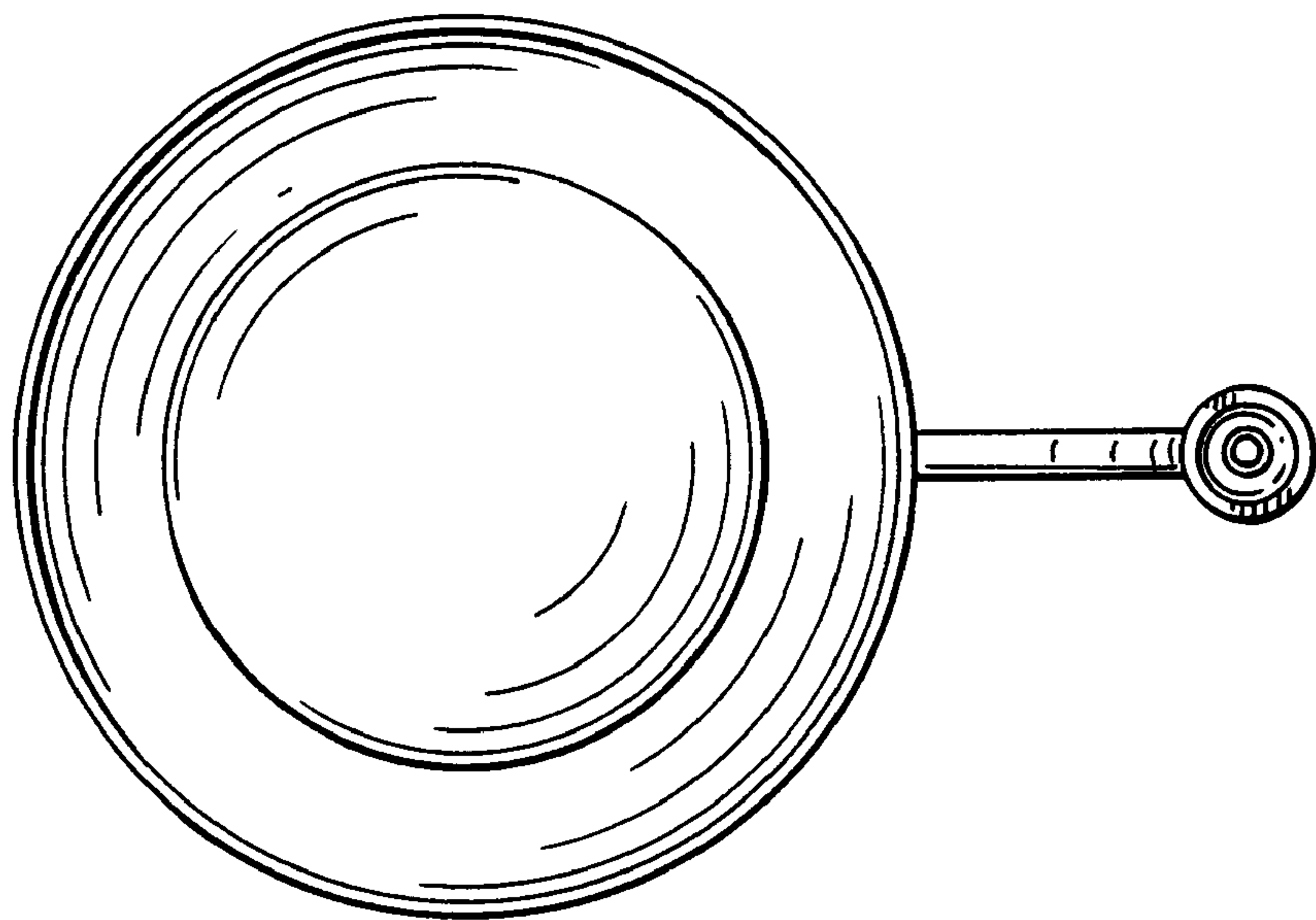


FIG. 6



UNITED STATES PATENT AND TRADEMARK OFFICE  
**CERTIFICATE OF CORRECTION**

PATENT NO. : Des 423,131  
DATED : April 18, 2000  
INVENTOR(S) : Robert D. Giese et al.

Page 1 of 1

It is certified that error appears in the above-identified patent and that said Letters Patent is hereby corrected as shown below:

Title page,

Item [73], Assignee: -- Assignee: **Intermatic Incorporated,**  
Spring Grove, IL --.

Signed and Sealed this

Sixth Day of August, 2002

*Attest:*

A handwritten signature in black ink, appearing to read "James E. Rogan", written over a horizontal line.

*Attesting Officer*

JAMES E. ROGAN  
*Director of the United States Patent and Trademark Office*