



US00D423129S

United States Patent [19] Nakagawa

[11] Patent Number: **Des. 423,129**

[45] Date of Patent: **** Apr. 18, 2000**

[54] FLASHLIGHT

[75] Inventor: **Shinobu Nakagawa**, Osaka, Japan

[73] Assignee: **Matsushita Electric Industrial Co., Ltd.**, Japan

[**] Term: **14 Years**

[21] Appl. No.: **29/102,880**

[22] Filed: **Apr. 1, 1999**

[30] Foreign Application Priority Data

Oct. 7, 1998 [JP] Japan 10-28981

[51] LOC (6) Cl. **26-02**

[52] U.S. Cl. **D26/49**

[58] Field of Search D26/37-50; 362/157,
362/158, 183-208

[56] References Cited

U.S. PATENT DOCUMENTS

- D. 308,257 5/1990 Staubitz et al. D26/49
- D. 315,609 3/1991 Garrity D26/49
- D. 351,477 10/1994 Bamber D26/49
- D. 353,216 12/1994 Sharrah et al. .
- D. 357,760 4/1995 Osiecki et al. .
- D. 370,543 6/1996 Huen .
- D. 395,719 6/1998 Concari D26/49
- D. 395,722 6/1998 Howard et al. D26/49
- D. 403,446 12/1998 Lynch et al. .
- D. 403,447 12/1998 Parsons .
- D. 411,023 6/1999 Yau D26/49

FOREIGN PATENT DOCUMENTS

729200 4/1988 Japan .

- 729200 11/1989 Japan .
- 814458 7/1991 Japan .
- 815824 8/1991 Japan .
- 842679 7/1992 Japan .
- 1037584 5/1999 Japan .

Primary Examiner—Marcus A. Jackson
Attorney, Agent, or Firm—Saidman DesignLaw Group

[57] CLAIM

The ornamental design for a flashlight, as shown and described.

DESCRIPTION

FIG. 1 is a perspective view of the top, front and right side of a flashlight showing a first embodiment of my new design;

FIG. 2 is a front view thereof;

FIG. 3 is a rear view thereof;

FIG. 4 is a top plan view thereof;

FIG. 5 is a bottom view thereof;

FIG. 6 is a right side view thereof;

FIG. 7 is a left side view thereof;

FIG. 8 is a perspective view of the top, front and right side of a second embodiment which differs from the first embodiment in that portion are lined for color;

FIG. 9 is a front view thereof;

FIG. 10 is a rear view thereof;

FIG. 11 is a top plan view thereof;

FIG. 12 is a bottom view thereof;

FIG. 13 is a right side view thereof; and,

FIG. 14 is a left side view thereof.

FIGS. 8-14 are lined to indicate the color black.

1 Claim, 6 Drawing Sheets

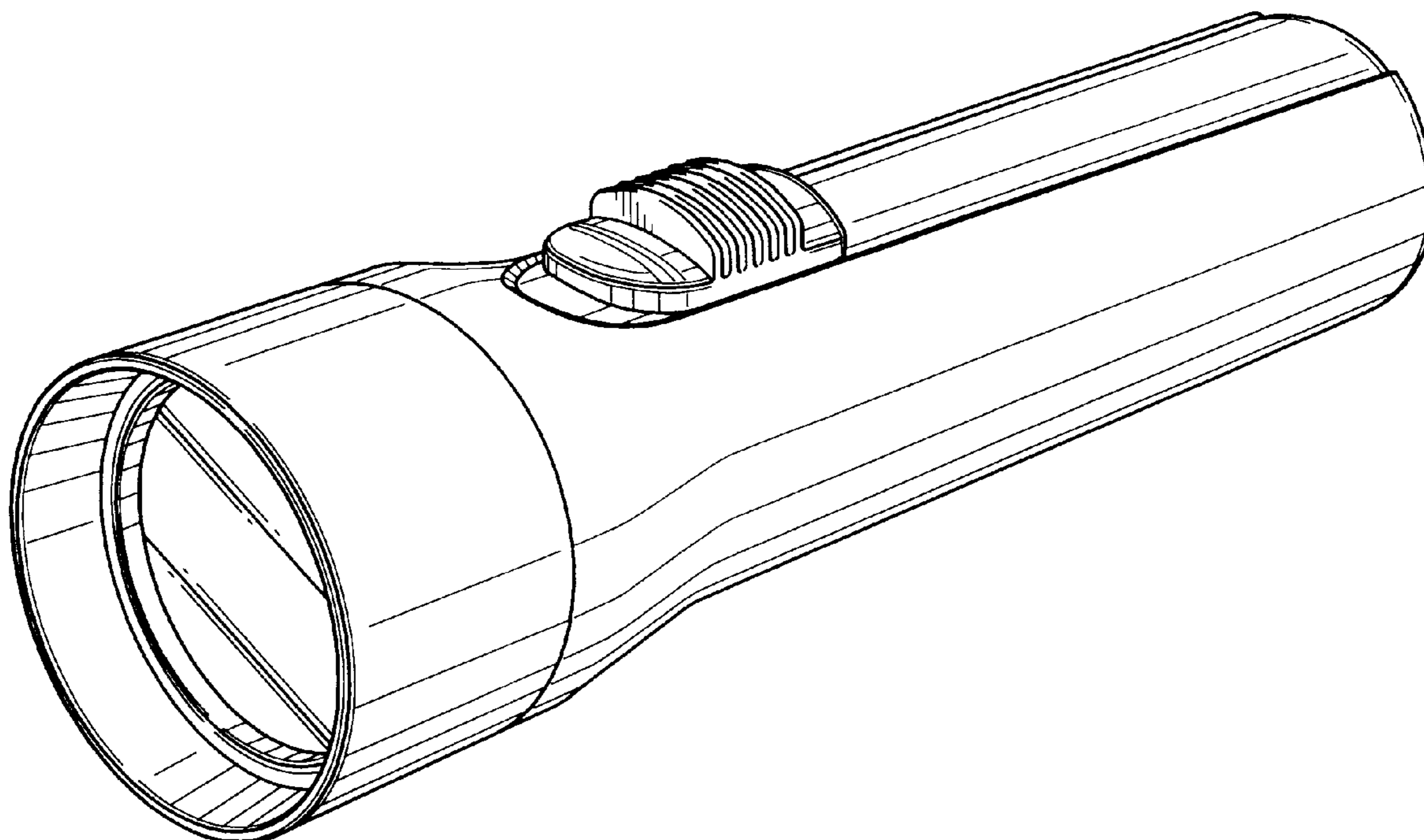


FIG. 1

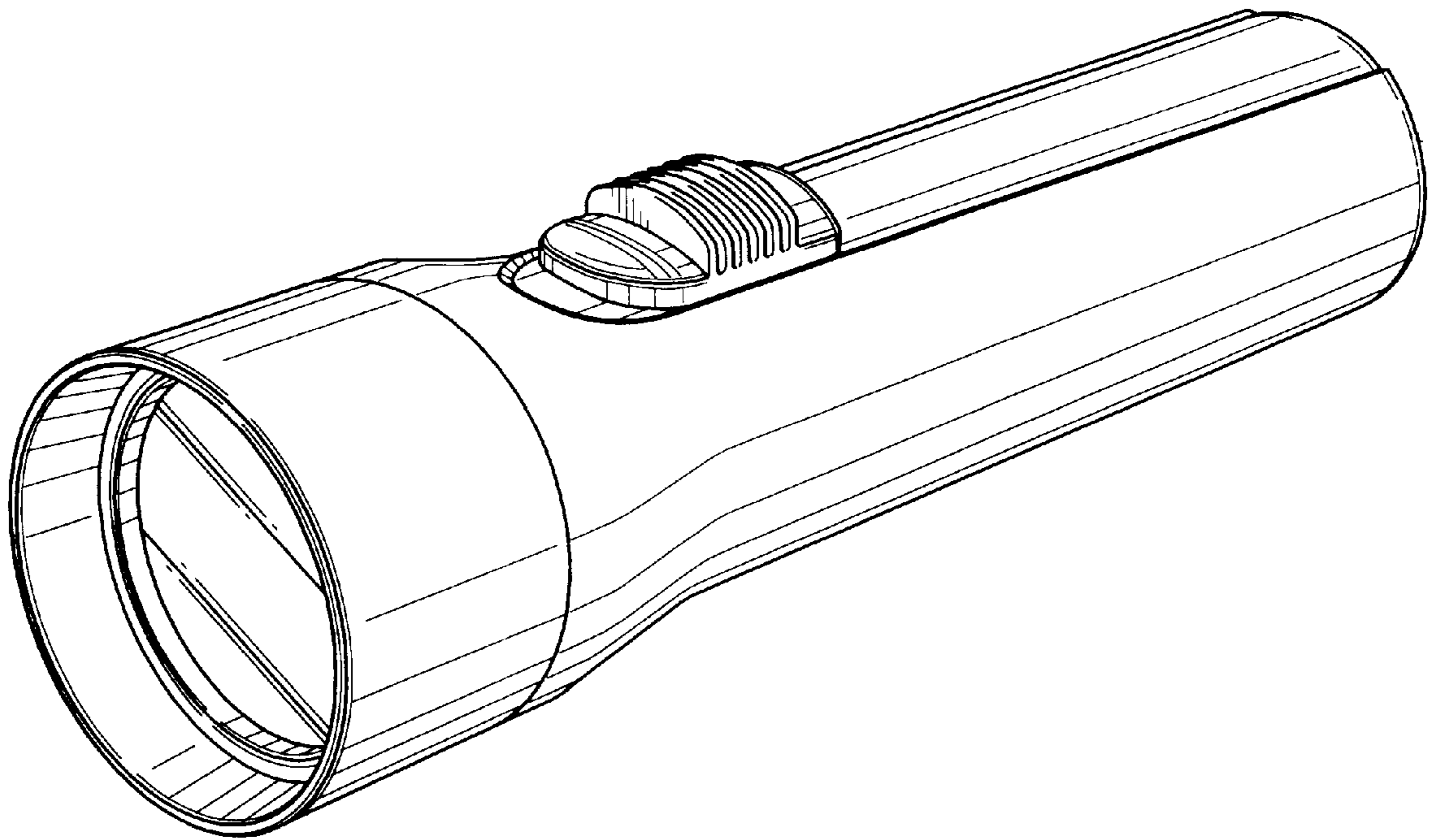


FIG. 2

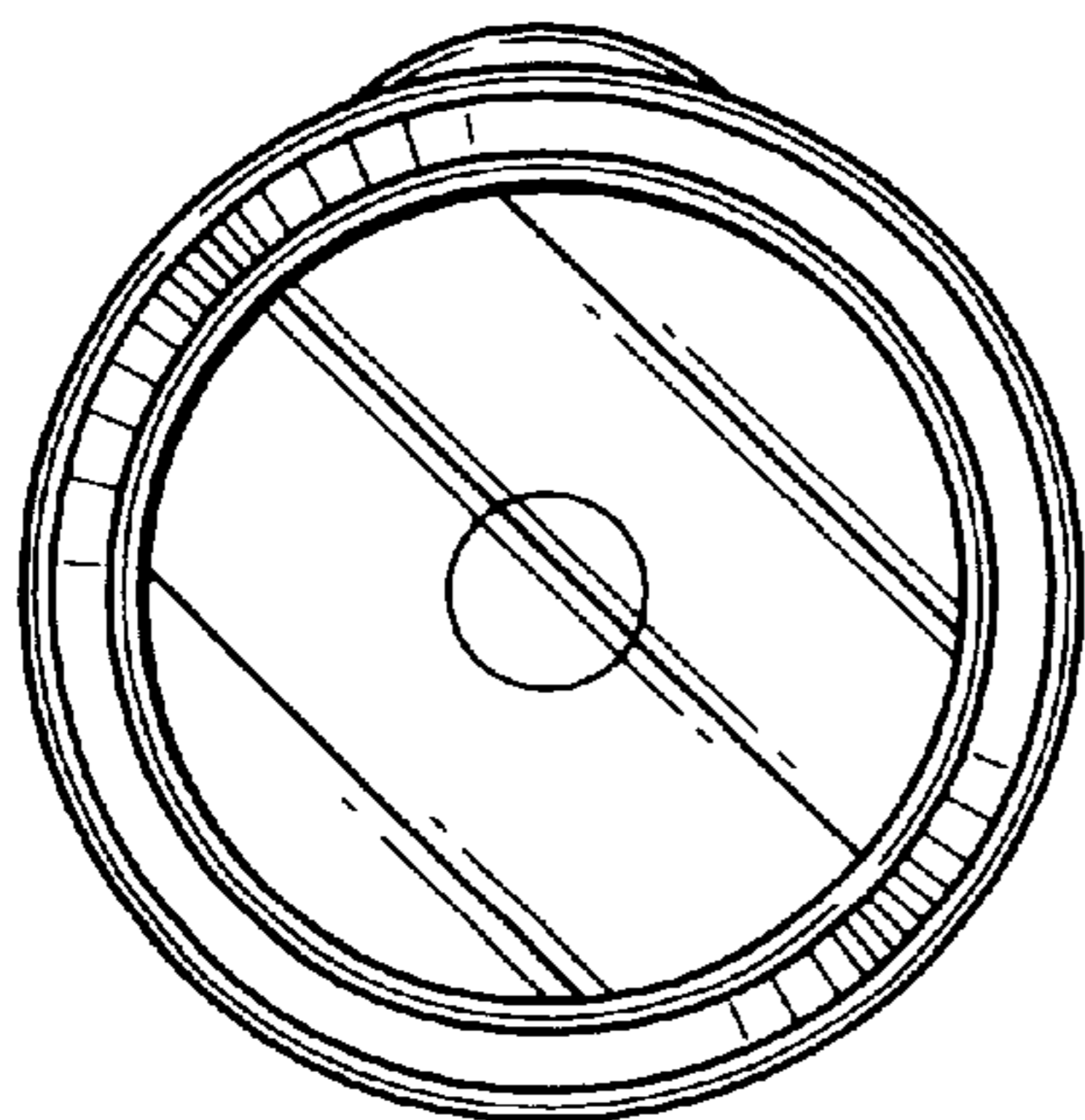


FIG. 3

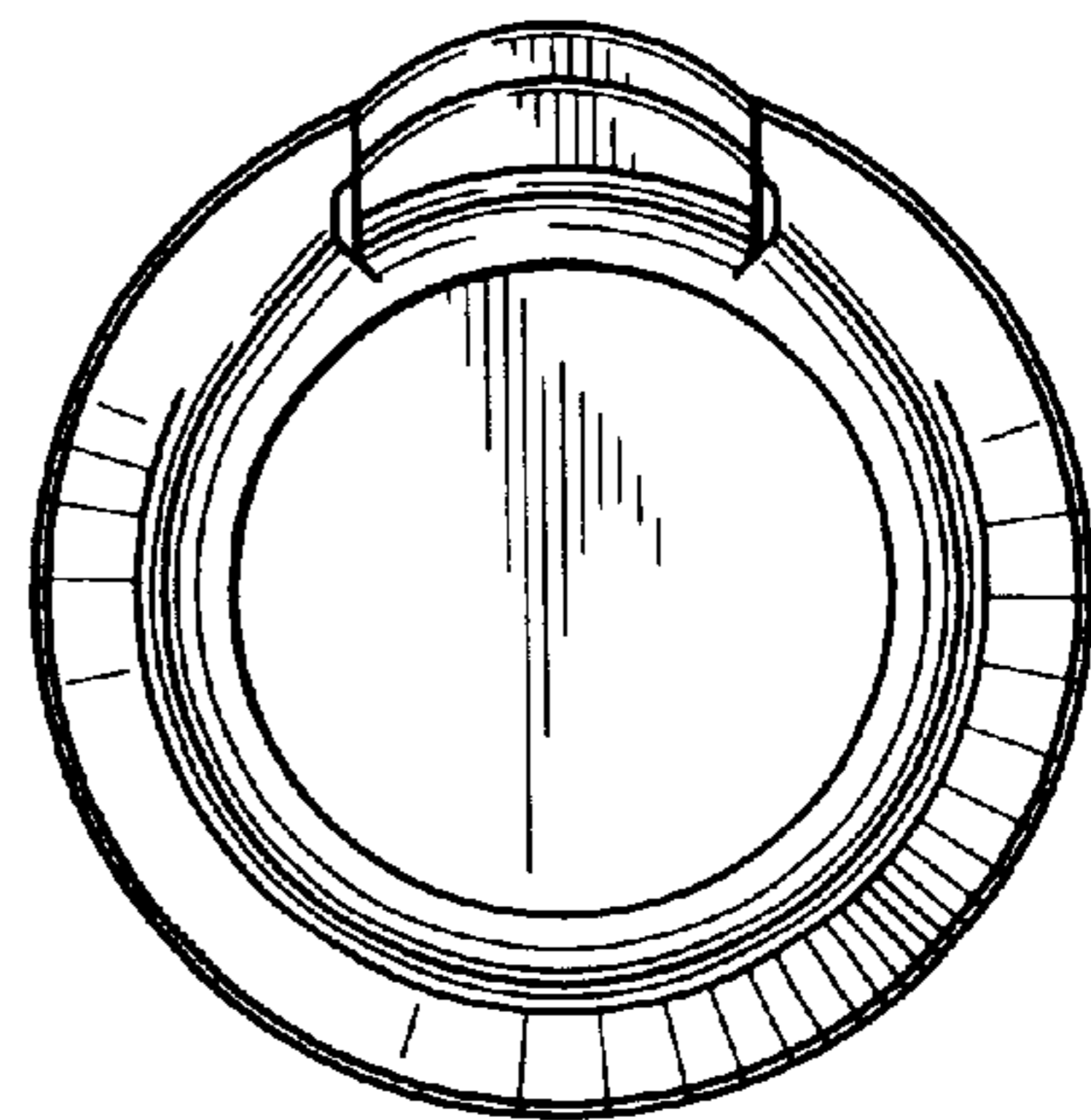


FIG. 4

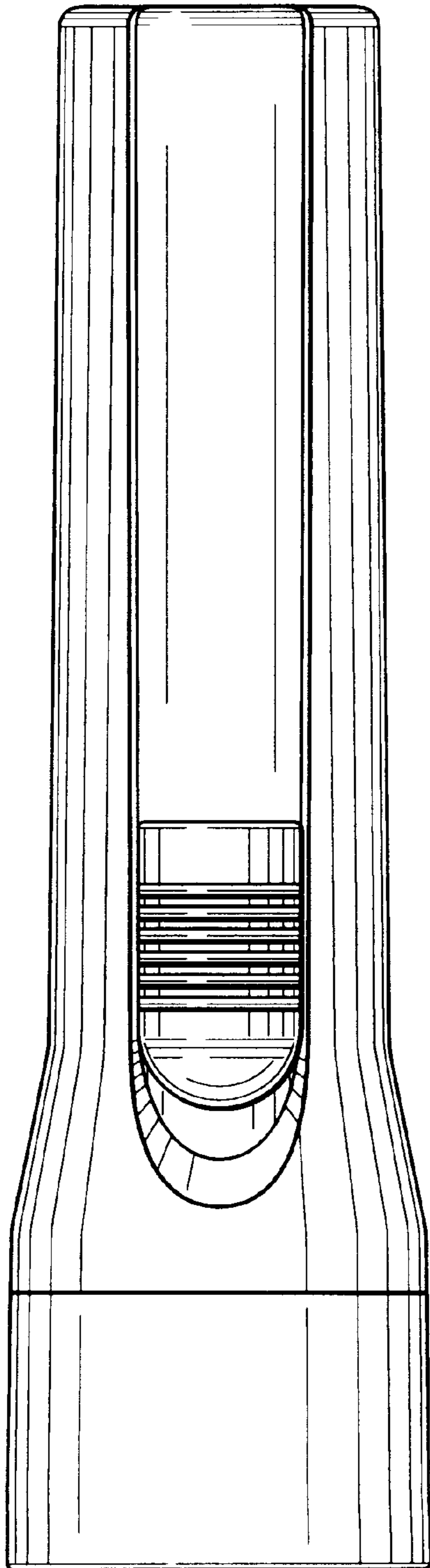


FIG. 5

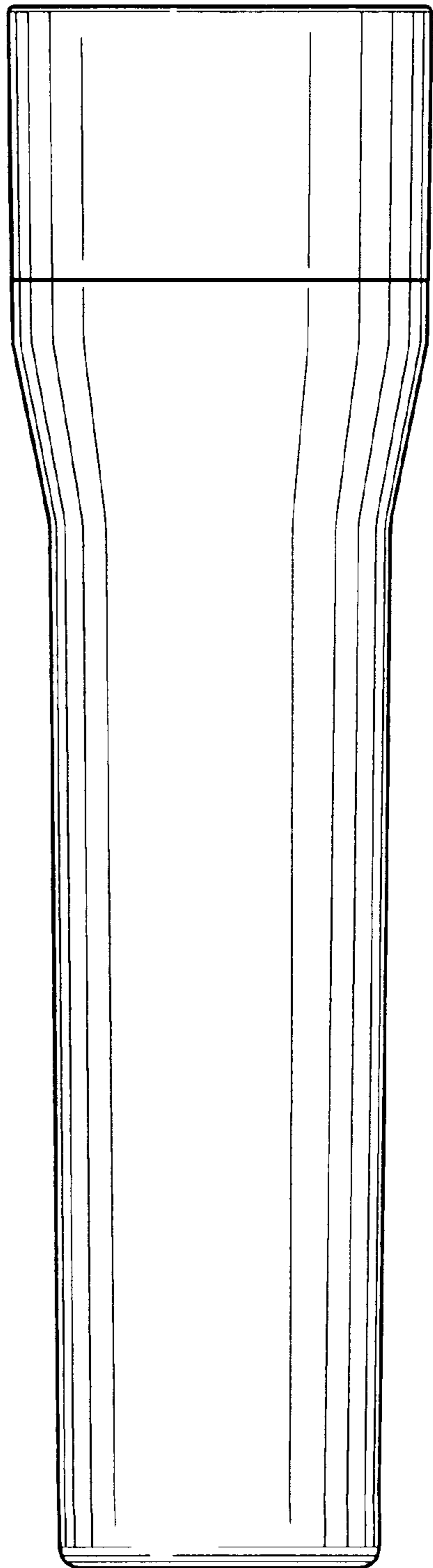


FIG. 6

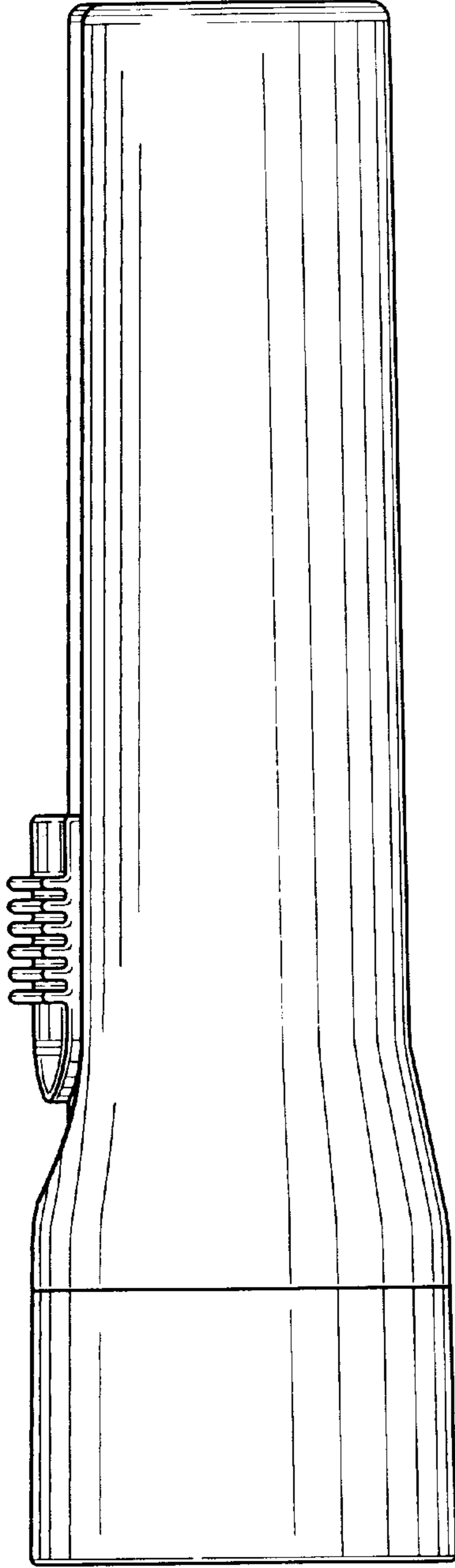


FIG. 7

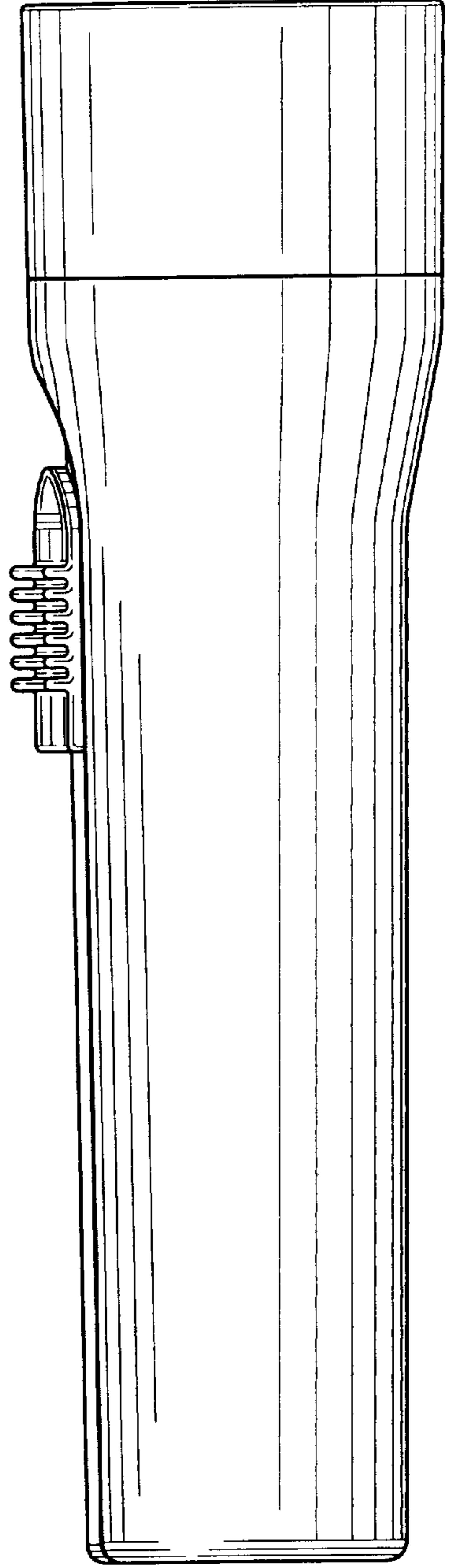


FIG. 8

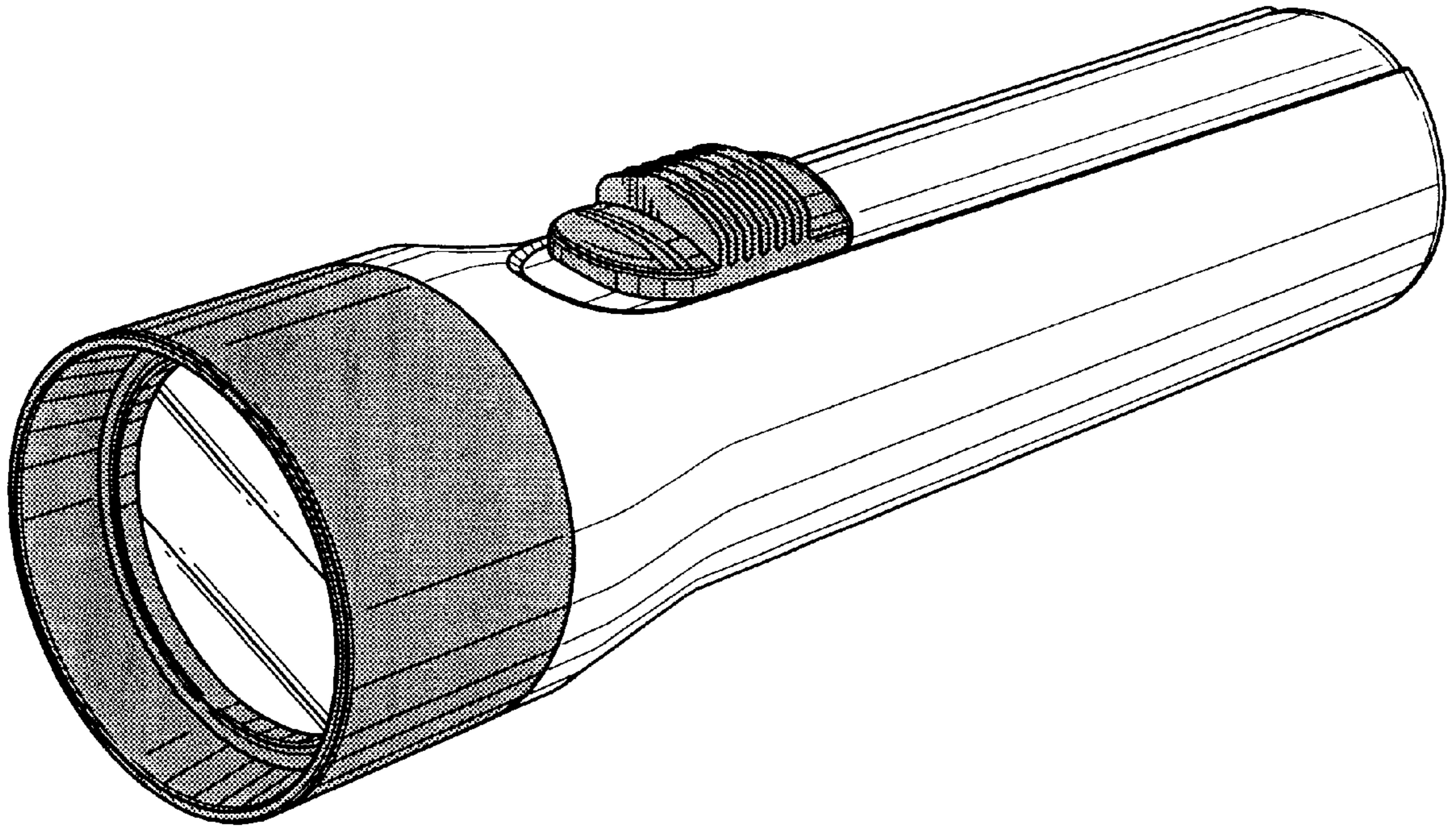


FIG. 9

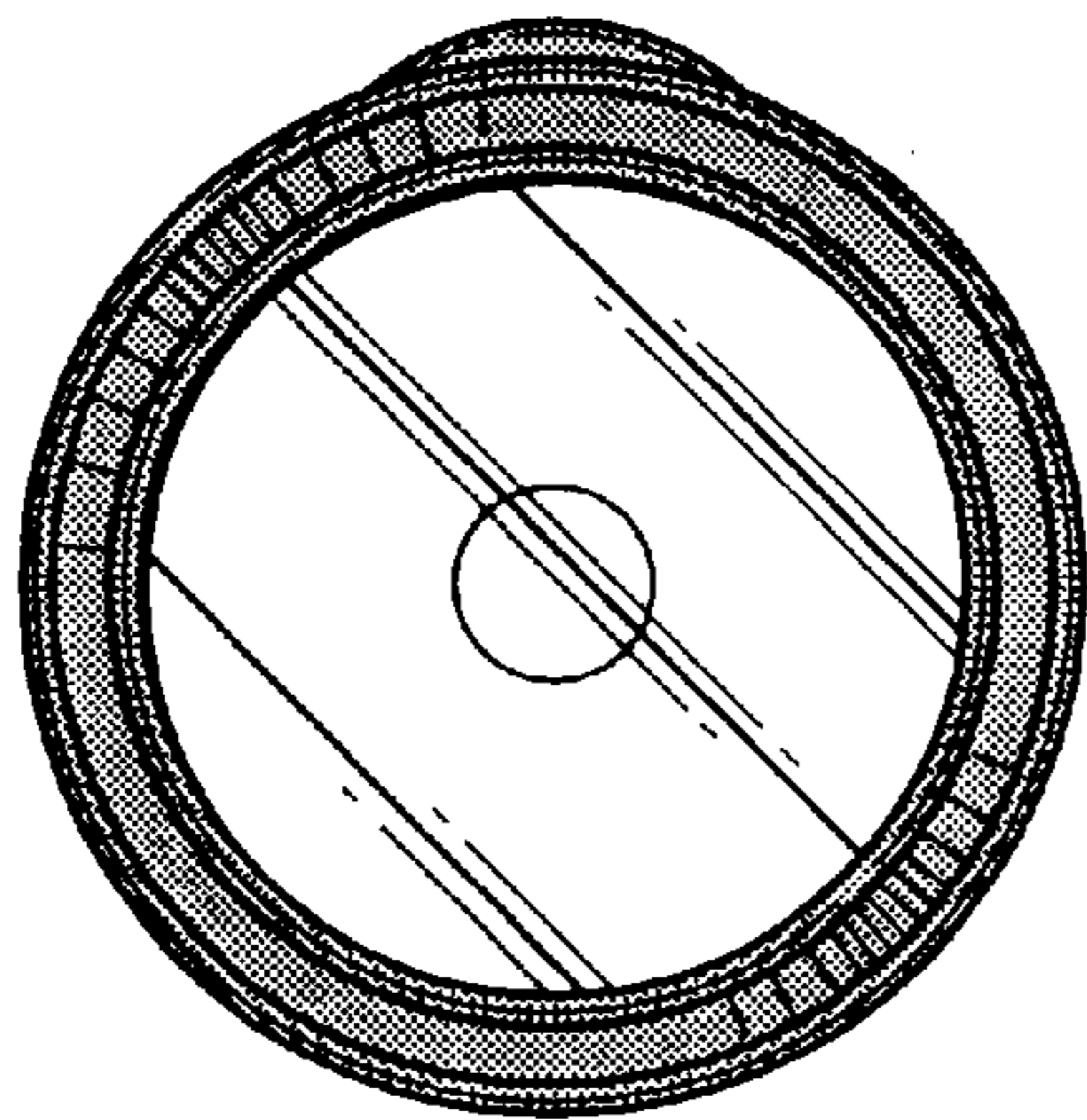


FIG. 10

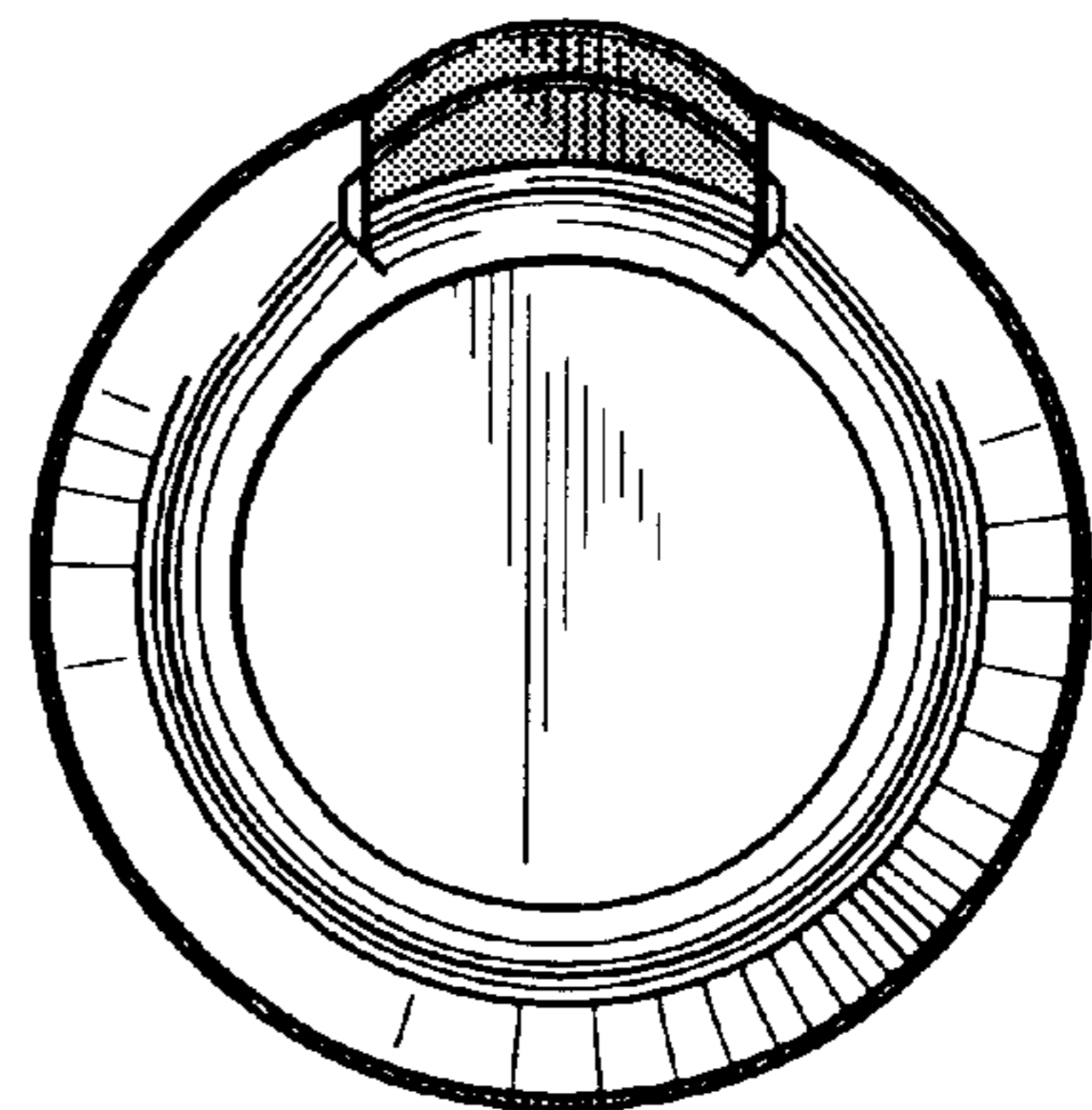


FIG. 11

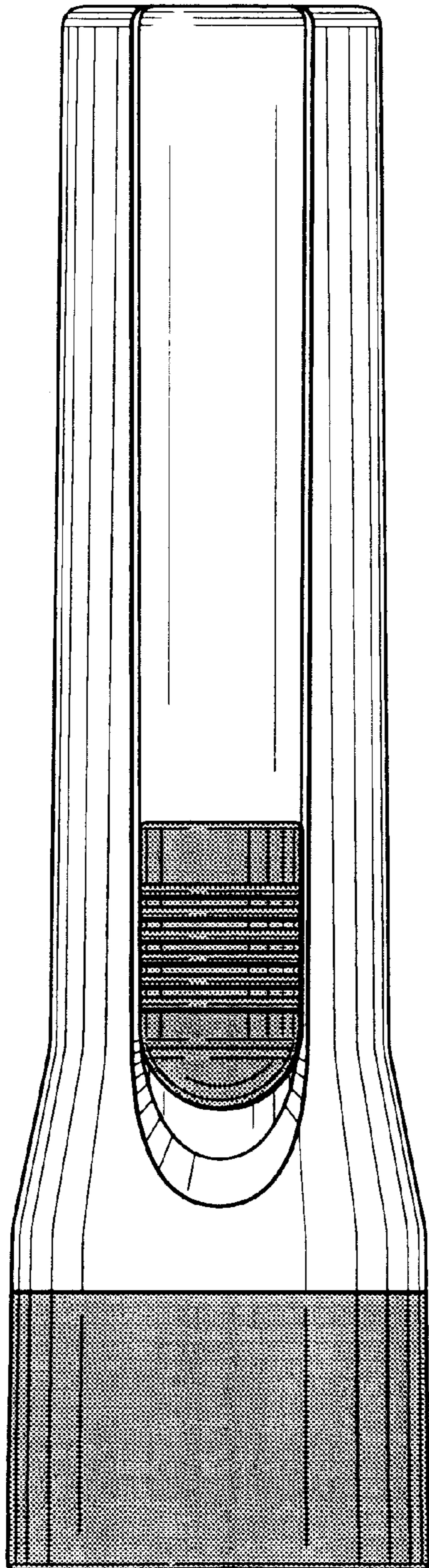


FIG. 12

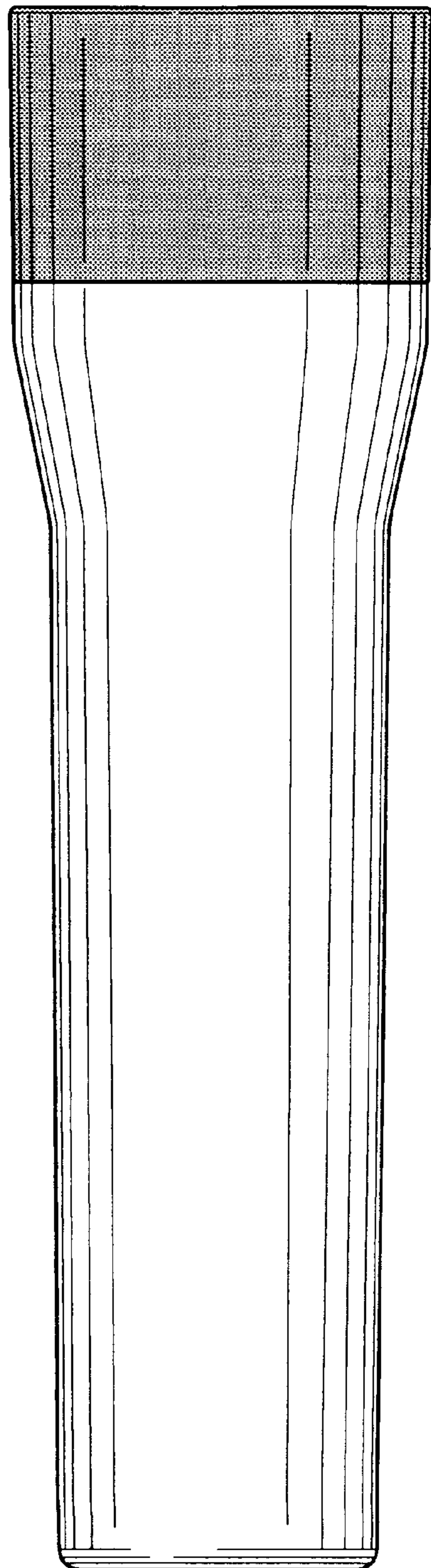


FIG. 13

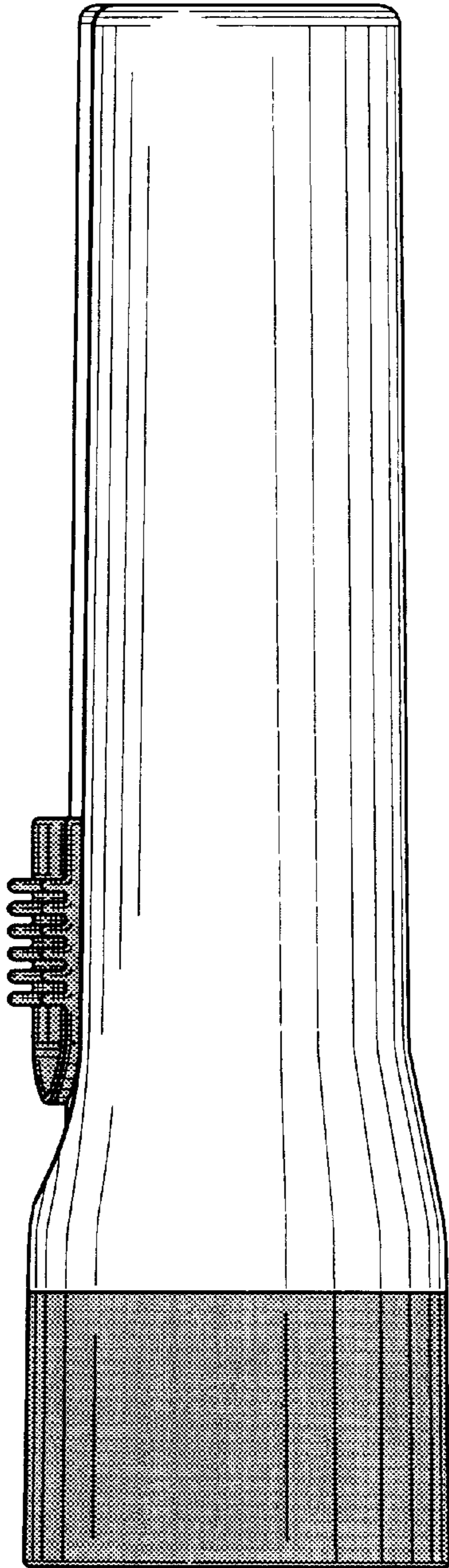


FIG. 14

