



US00D423128S

**United States Patent** [19]  
**Hansen**

[11] **Patent Number: Des. 423,128**

[45] **Date of Patent: \*\* Apr. 18, 2000**

[54] **FLASHLIGHT**

[76] Inventor: **Gary W. Hansen**, 42 Diablo Cir.,  
Lafayette, Calif. 94549

[\*\*] Term: **14 Years**

[21] Appl. No.: **29/091,653**

[22] Filed: **Aug. 3, 1998**

[51] **LOC (6) Cl.** ..... **26-02**

[52] **U.S. Cl.** ..... **D26/46**

[58] **Field of Search** ..... D26/37-51; 362/183,  
362/189, 194-202

[56] **References Cited**

**U.S. PATENT DOCUMENTS**

- D. 355,272 2/1995 Chabria ..... D26/46
- D. 356,172 3/1995 Vance ..... D26/46

*Primary Examiner*—Susan J. Lucas  
*Attorney, Agent, or Firm*—Harris Zimmerman

[57] **CLAIM**

The ornamental design for a flashlight, as shown and described.

**DESCRIPTION**

FIG. 1 is a perspective view of a flashlight showing my new design;

FIG. 2 is a top view;

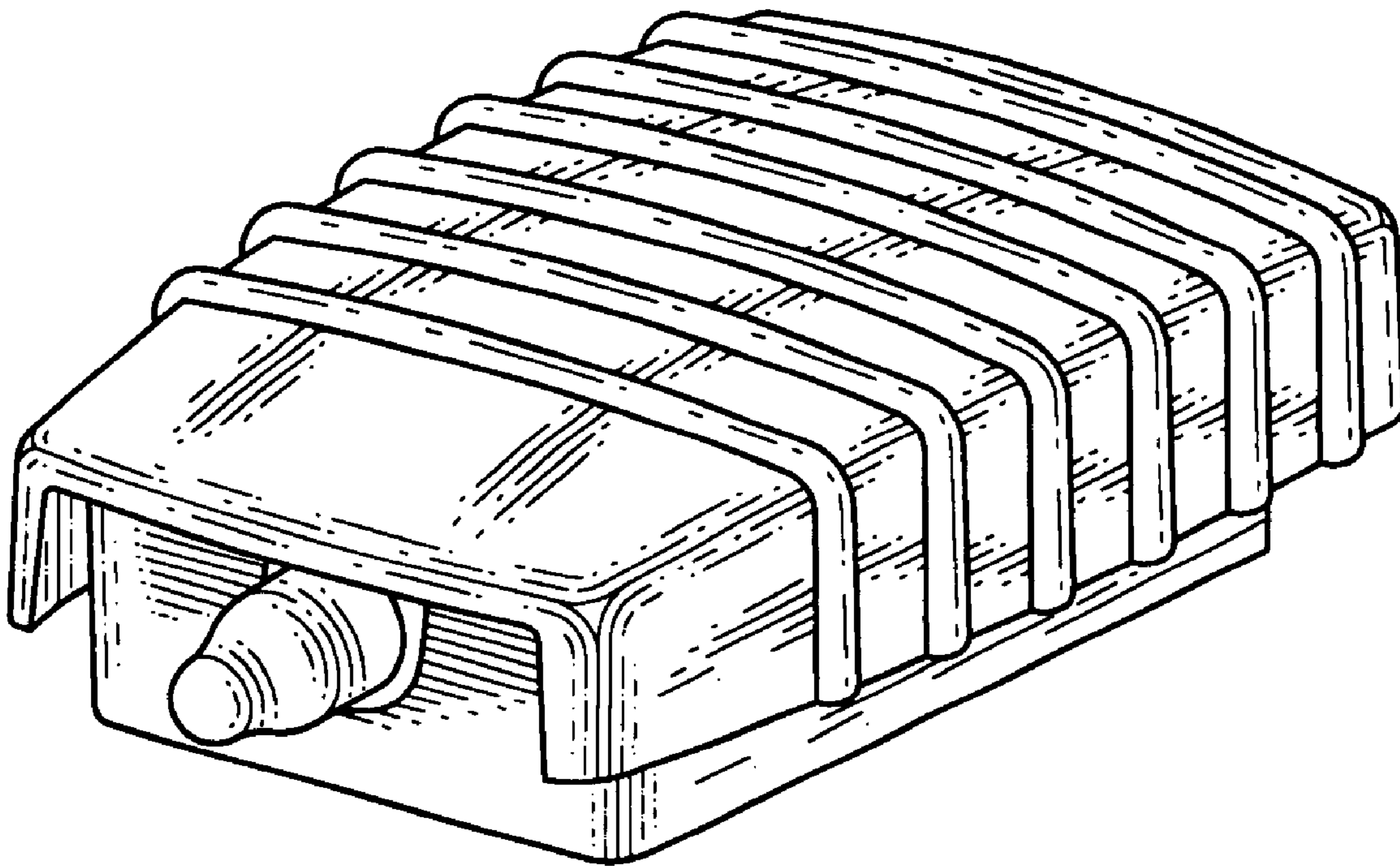
FIG. 3 is a side elevational view, the other side being the same;

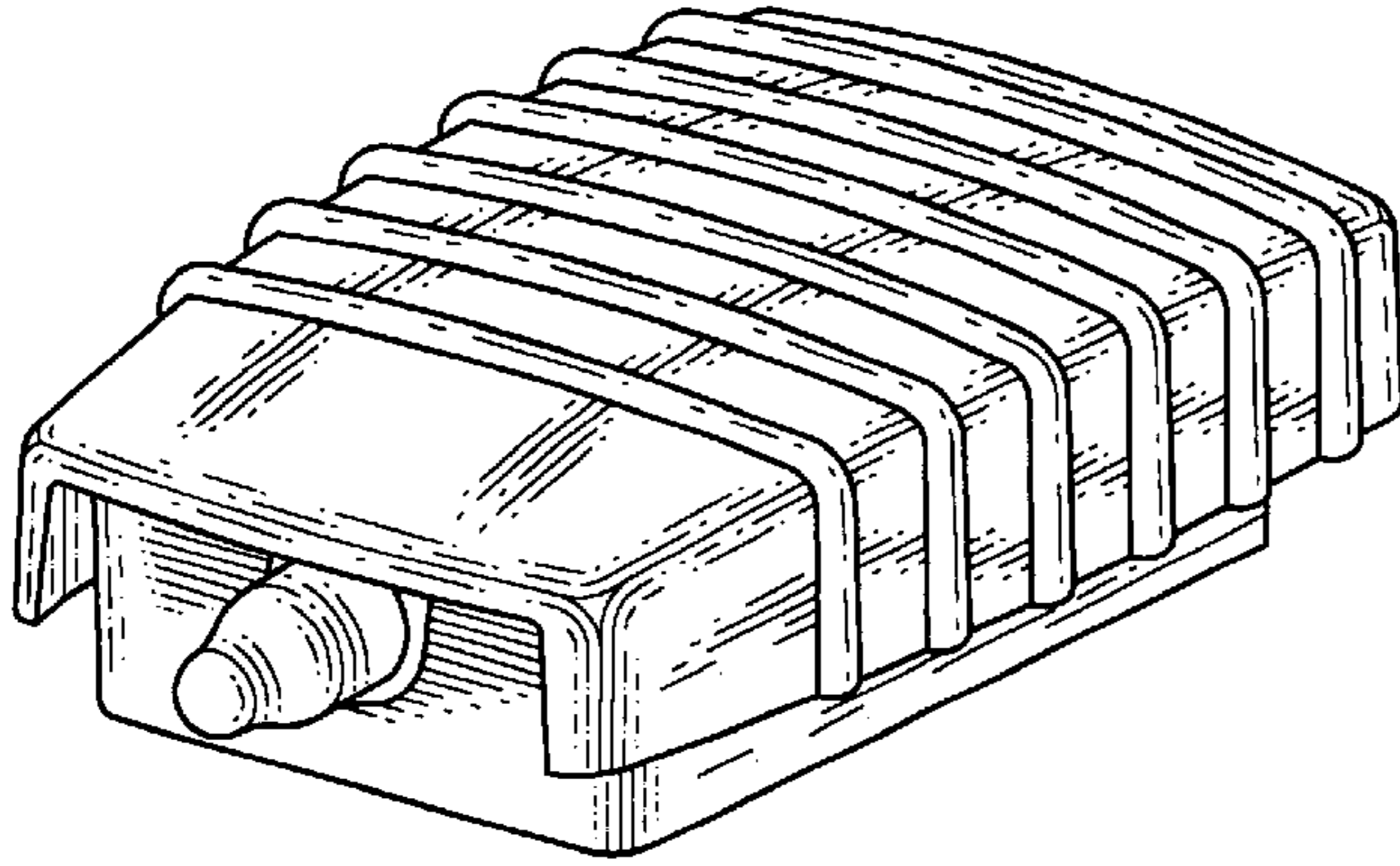
FIG. 4 is a rear view;

FIG. 5 is a front view; and,

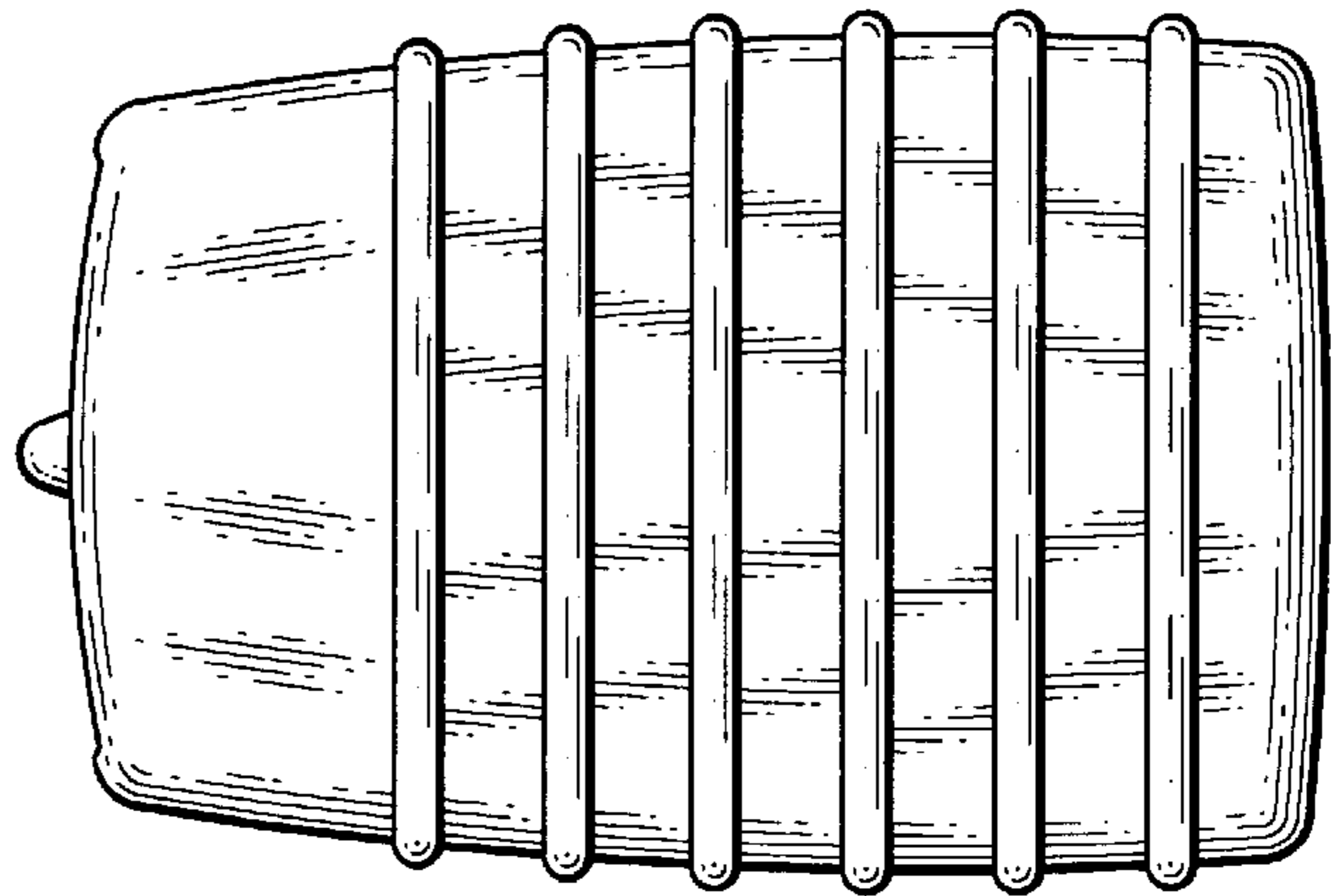
FIG. 6 is a bottom view.

**1 Claim, 1 Drawing Sheet**

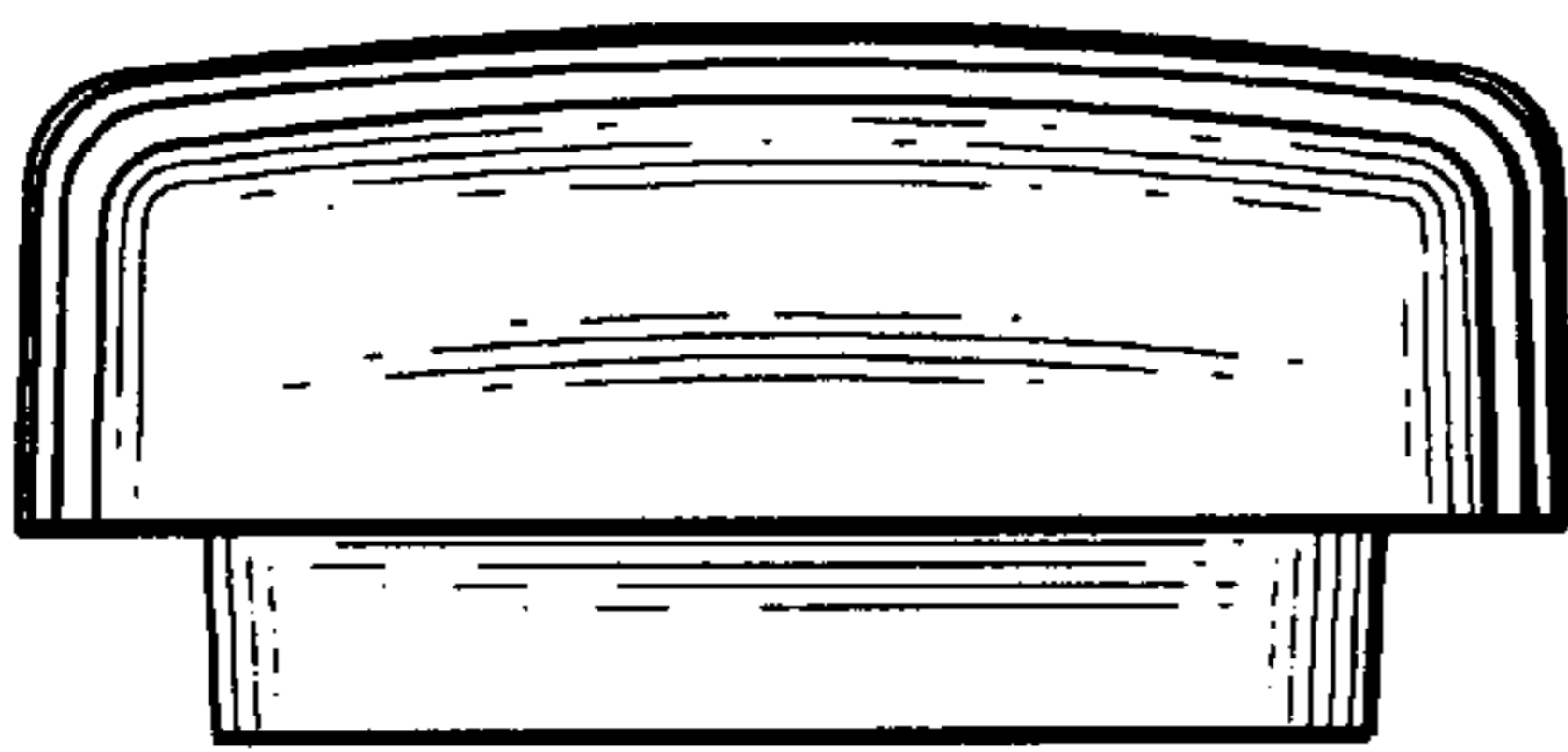




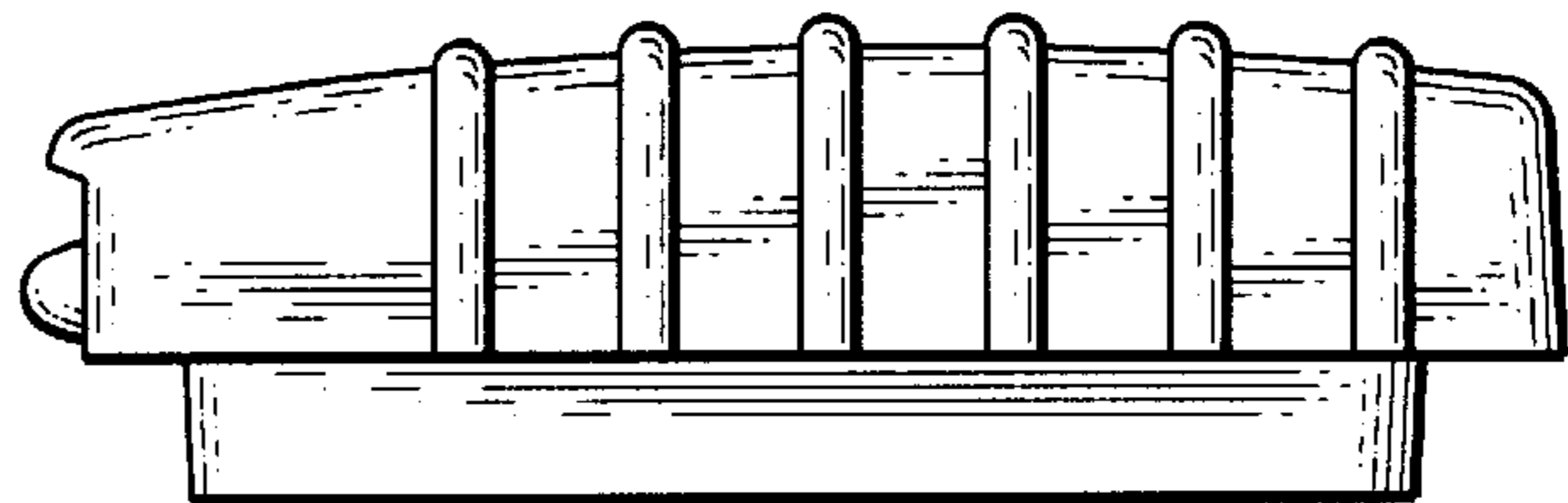
*Fig. 1*



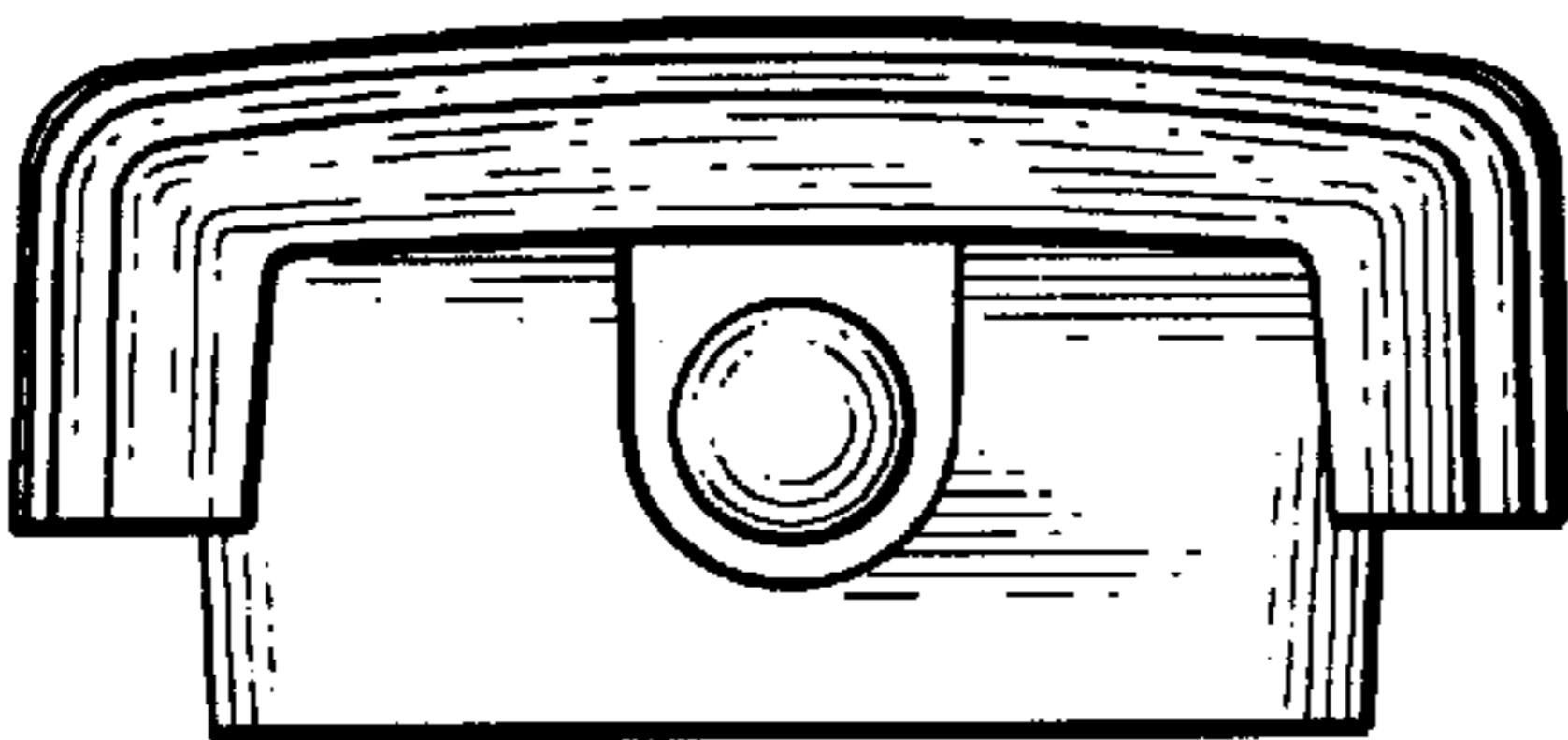
*Fig. 2*



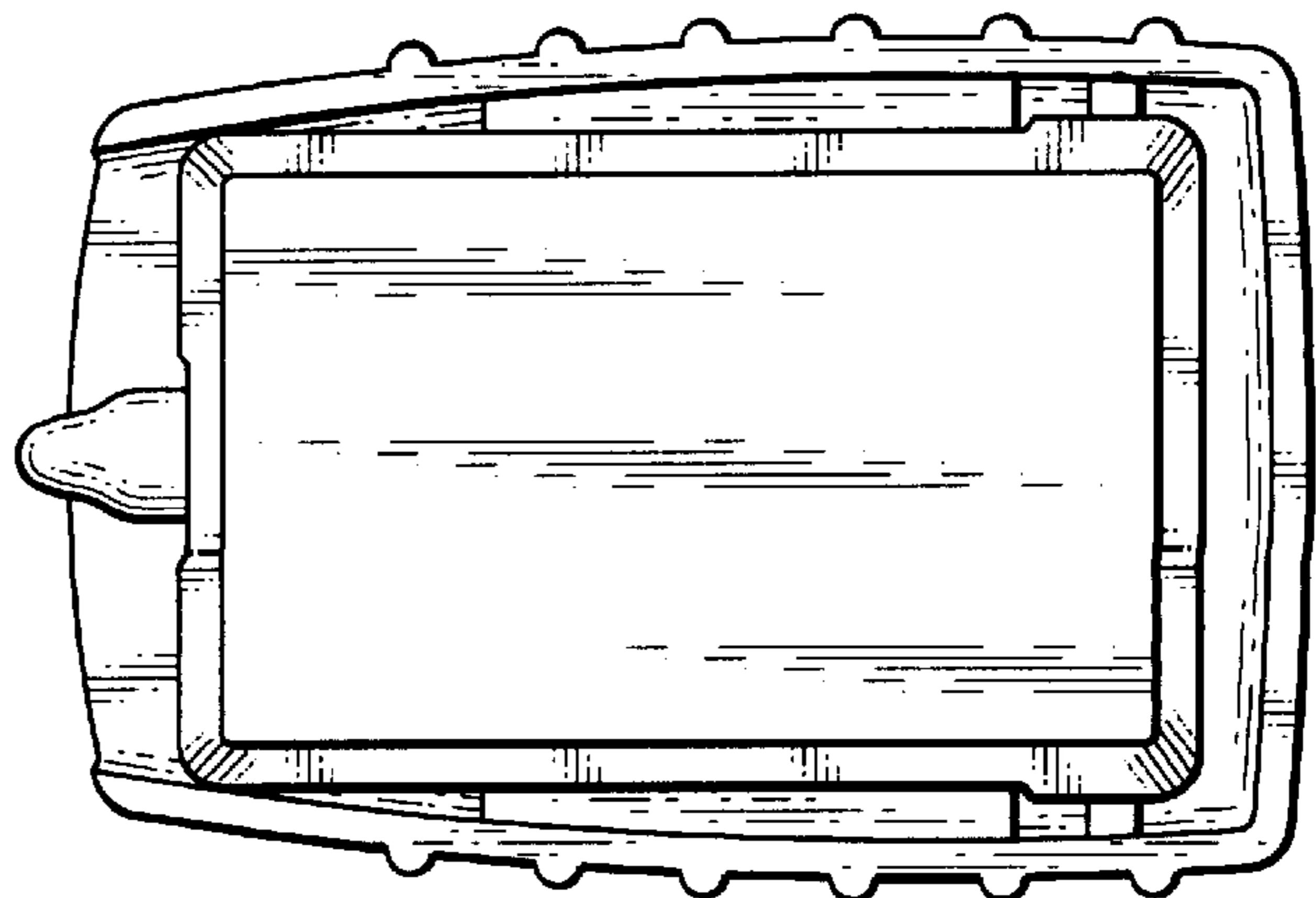
*Fig. 4*



*Fig. 3*



*Fig. 5*



*Fig. 6*