



US00D423126S

United States Patent [19]

Doss

[11] Patent Number: Des. 423,126

[45] Date of Patent: ** Apr. 18, 2000

[54] MOTORCYCLE HEADLIGHT

[75] Inventor: Richard Phillip Doss, Danville, Va.

[73] Assignee: Custom Chrome, Inc., Morgan Hill, Calif.

[**] Term: 14 Years

[21] Appl. No.: 29/111,081

[22] Filed: Sep. 20, 1999

[51] LOC (6) Cl. 26-04

[52] U.S. Cl. D26/28

[58] Field of Search D26/28-36; 362/80, 362/82, 83, 83.3, 157, 158, 183, 189-208; D12/156, 157

[56] References Cited

U.S. PATENT DOCUMENTS

D. 395,717	6/1998	Dalton et al.	D26/28
D. 405,549	2/1999	Taylor et al.	D26/28
D. 406,369	3/1999	Dalton et al.	D26/28
D. 411,320	6/1999	Sillappaa	D26/28
D. 415,584	10/1999	Anwyl-Davies	D26/28

OTHER PUBLICATIONS

Catalog—Midwest Motorcycle Supply, 1997; pp. 1-10, 1-11.

Catalog—V-Twin Manufacturing, 1998; pp. 540, 541, unnumbered page.

Catalog—Mid USA Motorcycle Parts, 1997; pp. 1-10, 1-11, 1-12, 1-13.

Catalog—Nempco, 1996; pp. 297-302.

Catalog—Drag Specialties, 1998, pp. 414-419.

Catalog—Chrome Specialties, Inc., 1999, pp. 108-111; 117.

Catalog—Custom Chrome, Inc., pp. 6.2-6.5.

Primary Examiner—Marcus A. Jackson

Attorney, Agent, or Firm—Max Ciccarelli

[57] CLAIM

The ornamental design for a motorcycle headlight, as shown and described.

DESCRIPTION

FIG. 1 is a perspective side view of the motorcycle headlight.

FIG. 2 is a top view of the motorcycle headlight.

FIG. 3 is a front view of the motorcycle headlight.

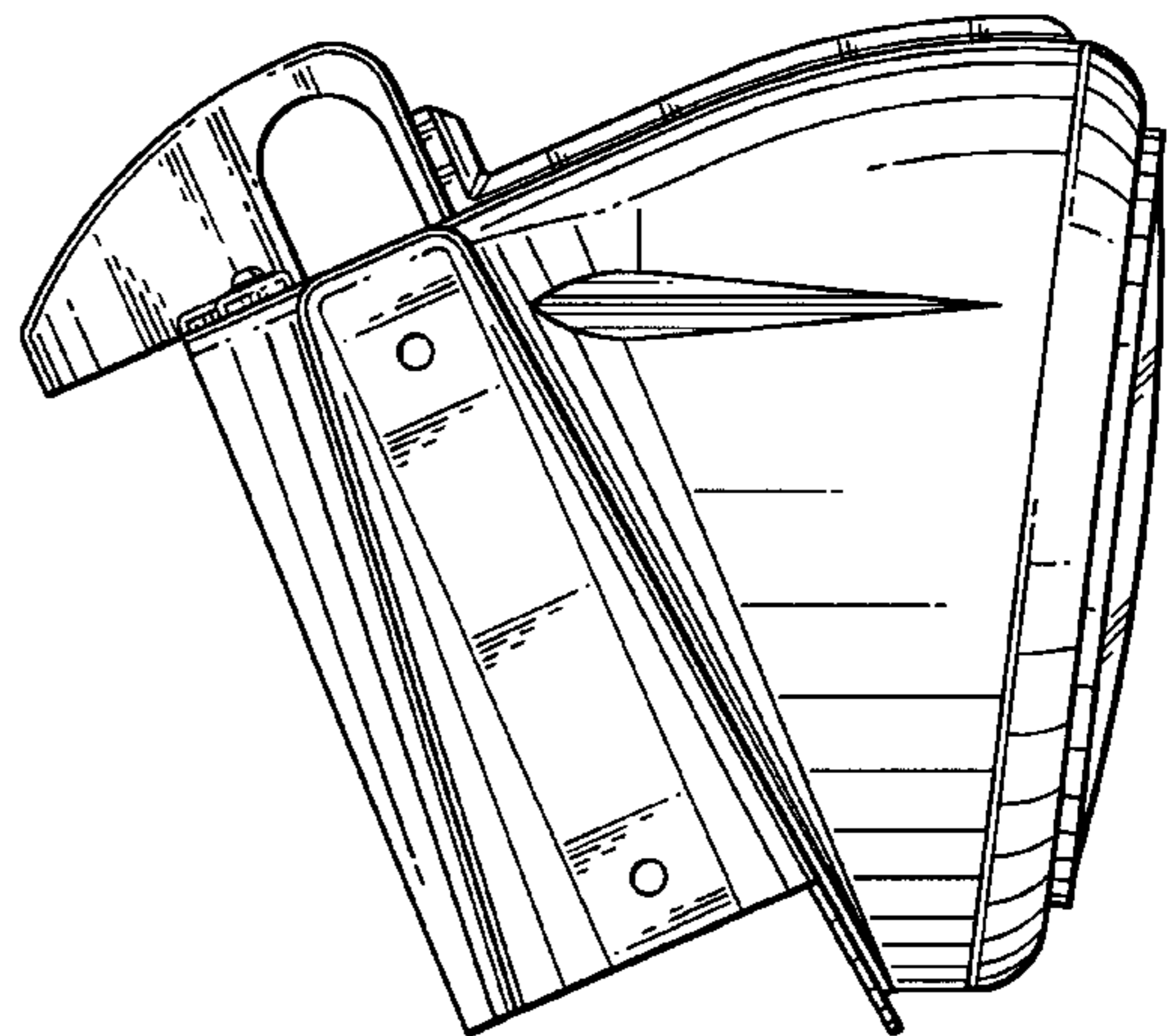
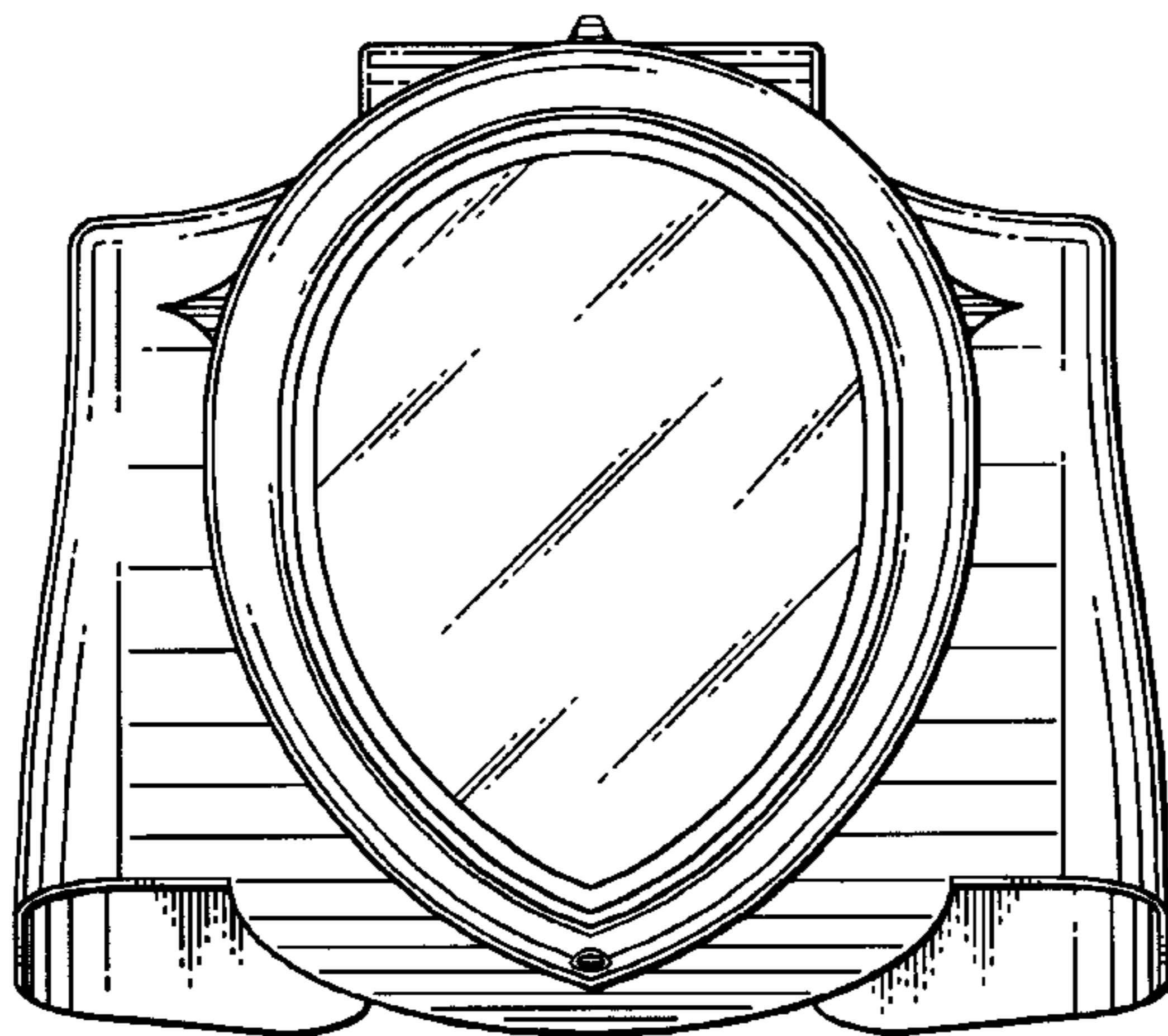
FIG. 4 is a left side view of the motorcycle headlight. The right side view of the motorcycle headlight is symmetrical to the left side view; and,

FIG. 5 is a rear view of the motorcycle headlight. The central portion of the rear of the motorcycle headlight is obscured from view in its intended use and forms no part of the claimed design.

The bottom of the motorcycle headlight is generally not visible during ordinary use. Accordingly, this view has been omitted.

The dash lines depict environment and are not part of the claimed design.

1 Claim, 3 Drawing Sheets



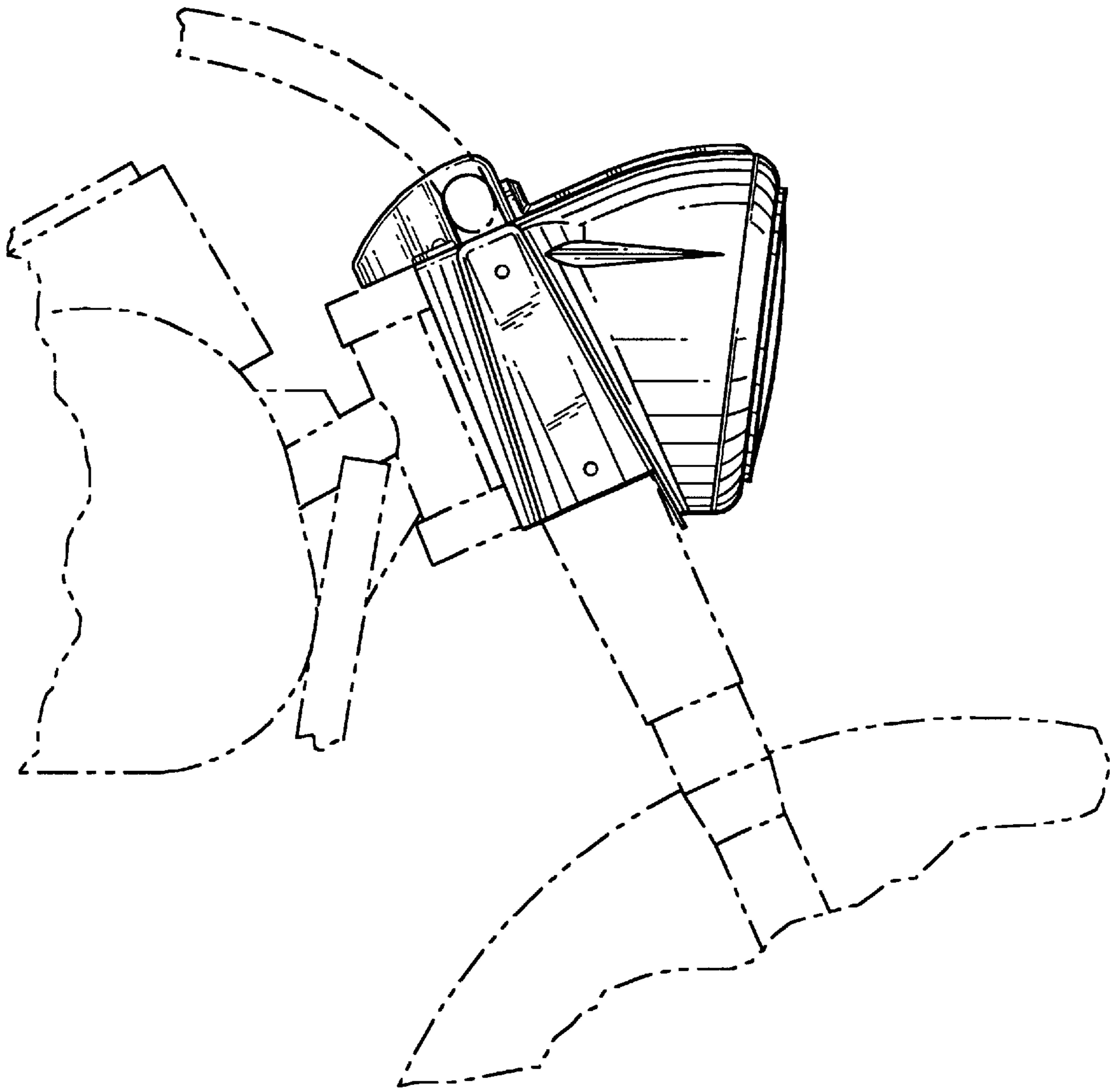


Fig. 1

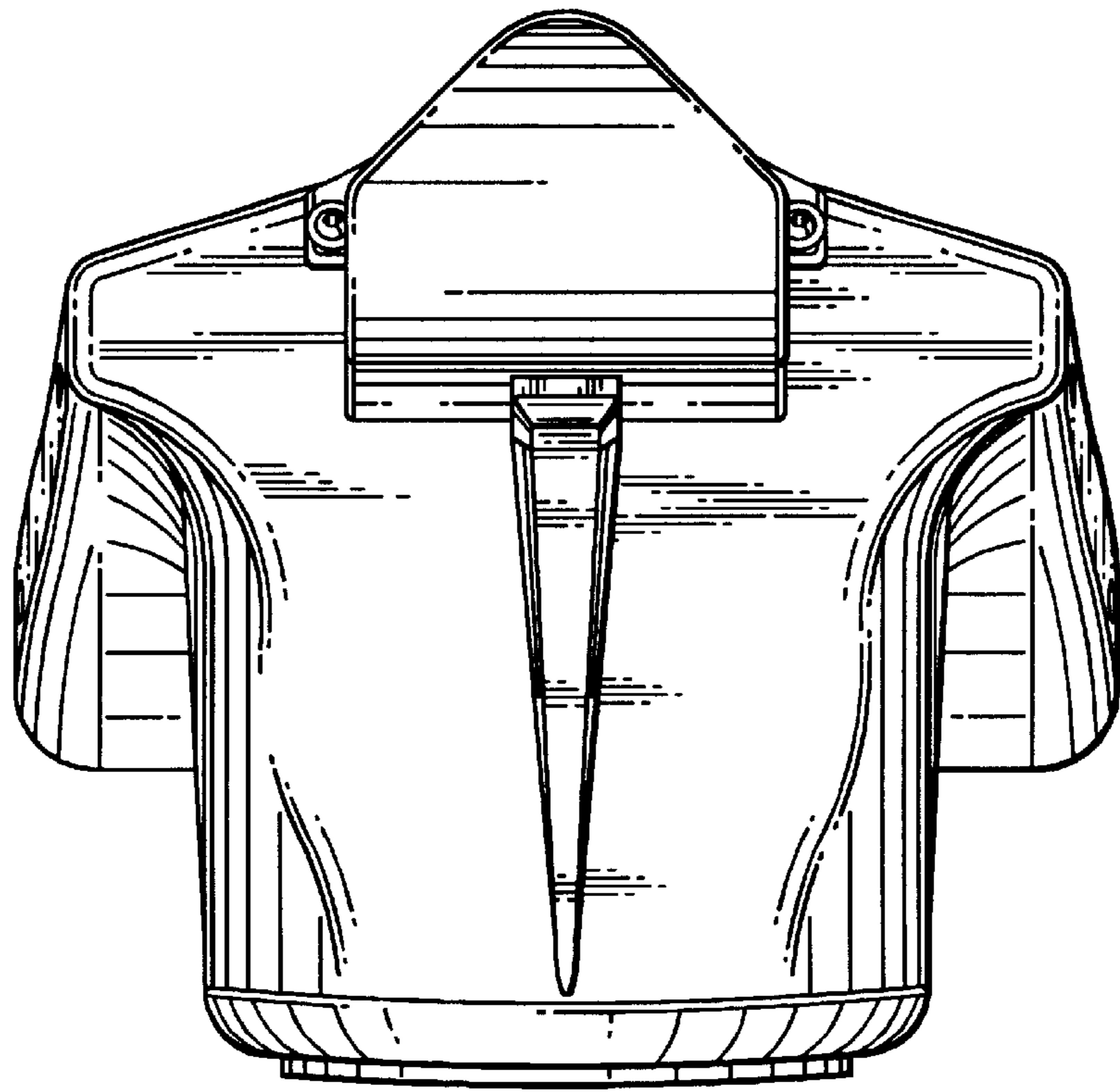


Fig. 2

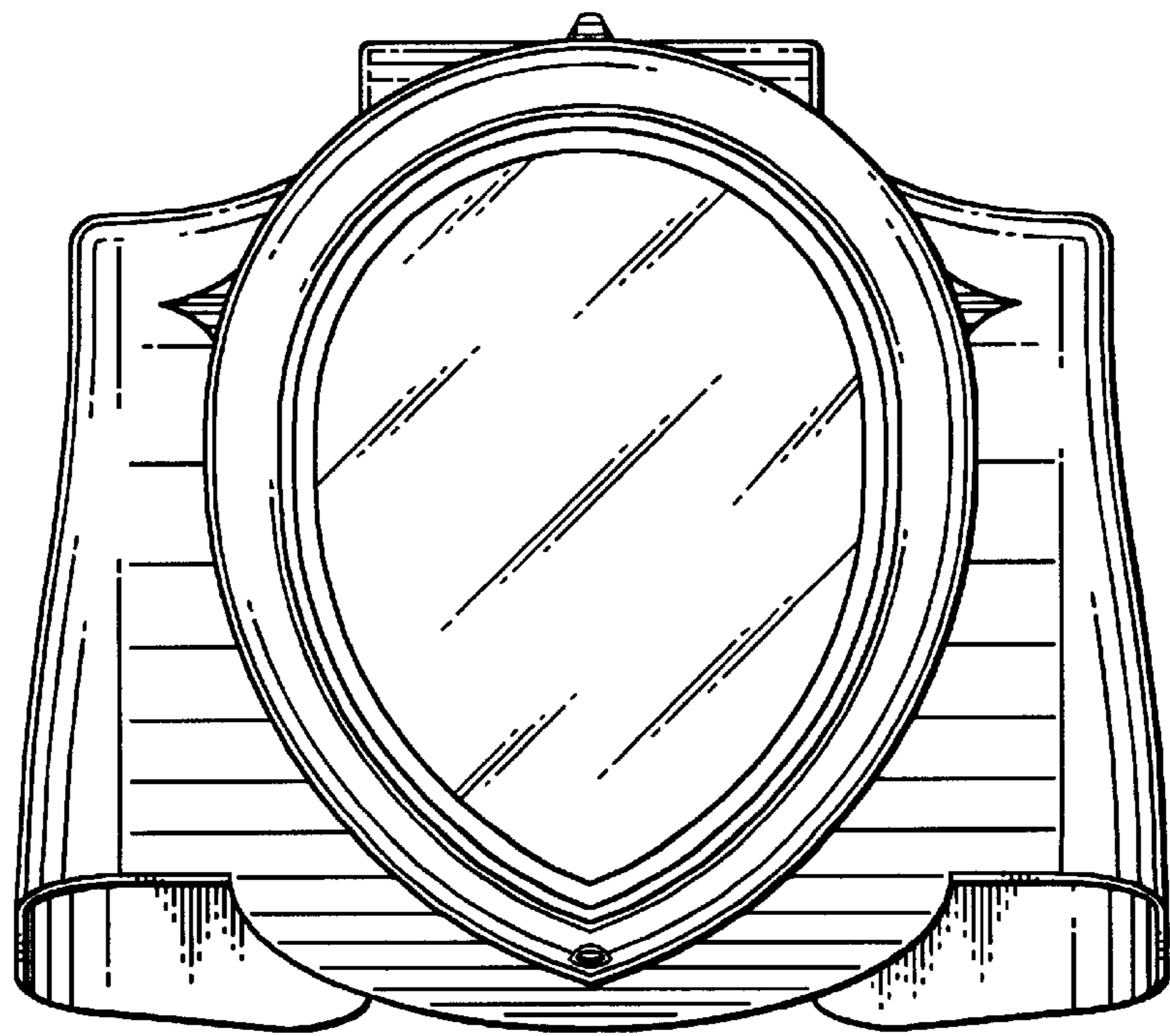


Fig. 3

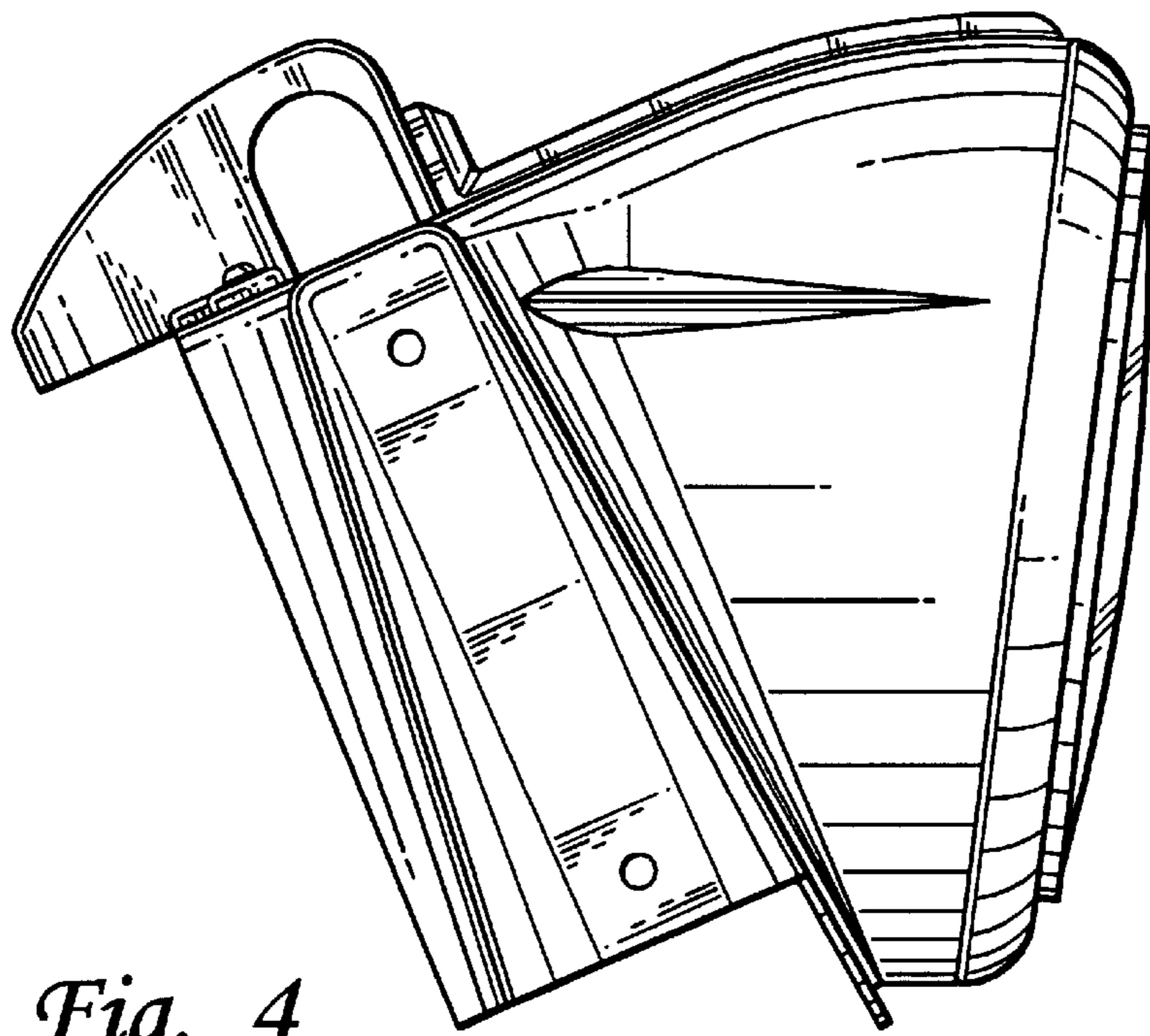


Fig. 4

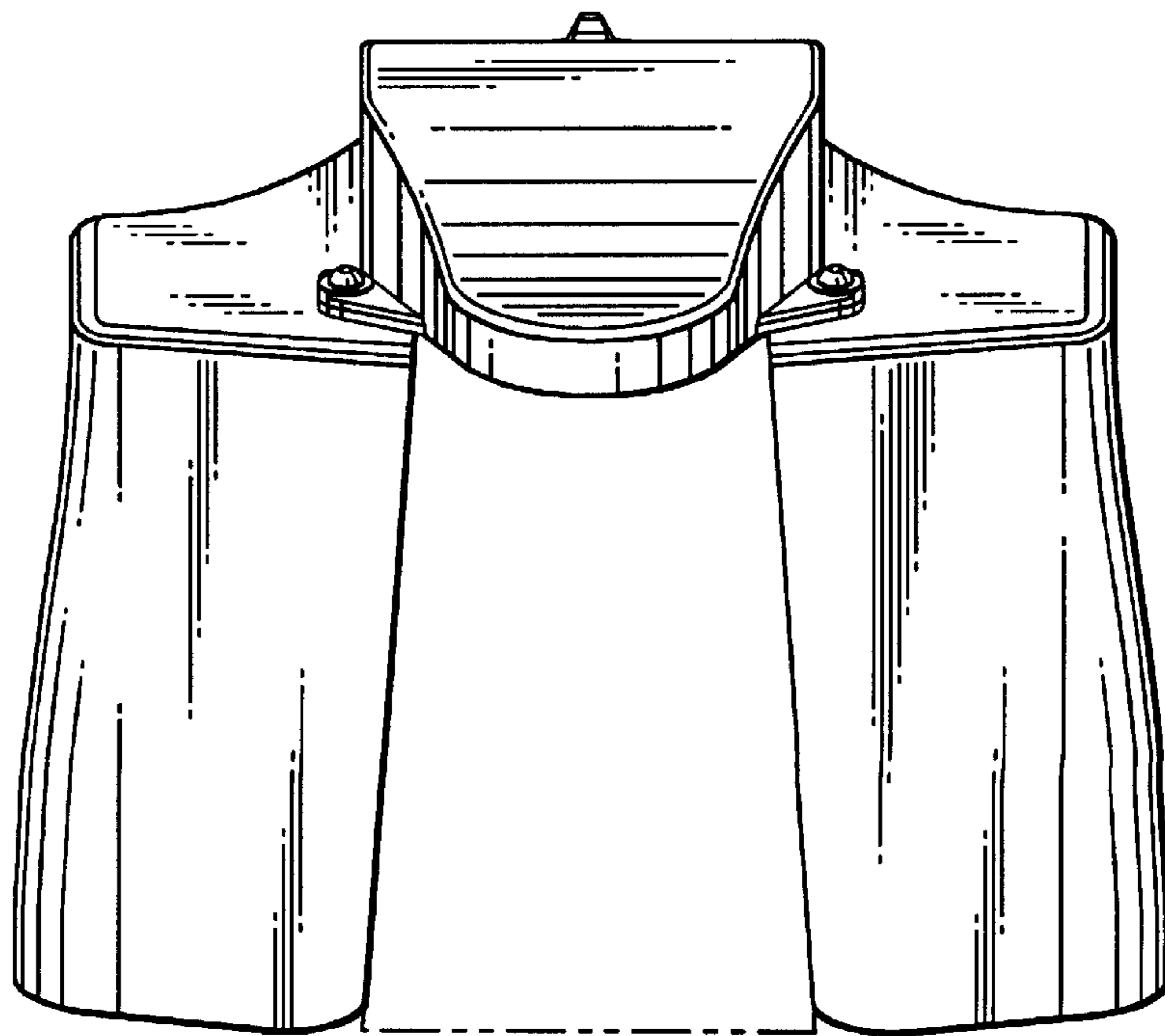


Fig. 5