



US00D423123S

**United States Patent** [19]  
**Sassenberg**

[11] **Patent Number: Des. 423,123**

[45] **Date of Patent: \*\* \*Apr. 18, 2000**

[54] **PLASTIC PAVER**

[76] Inventor: **Hans Sassenberg**, 13 Dow Rd., Bow,  
N.H. 03304

[\*] Notice: This patent is subject to a terminal dis-  
claimer.

[\*\*] Term: **14 Years**

[21] Appl. No.: **29/079,357**

[22] Filed: **Nov. 13, 1997**

[51] **LOC (6) Cl.** ..... **25-01**

[52] **U.S. Cl.** ..... **D25/152**

[58] **Field of Search** ..... D25/106-108,  
D25/110-111, 114-115, 118, 138, 152;  
D21/484, 486, 499-502, 504; 52/596, 604-5,  
608-610; 404/33-42; 405/284-6

[56] **References Cited**

**U.S. PATENT DOCUMENTS**

244,997 8/1881 Kennedy ..... 52/604

D. 370,034	5/1996	Kipfer	.....	D21/502
4,621,942	11/1986	Hill	.....	404/41
4,671,699	6/1987	Roach	.....	404/41
5,287,649	2/1994	Prestele	.....	404/36
5,499,478	3/1996	Rimmele	.....	52/604
5,513,475	5/1996	Schaaf et al.	.....	52/605

*Primary Examiner*—Louis S. Zarfaz  
*Assistant Examiner*—Robert A. Delehanty  
*Attorney, Agent, or Firm*—William B. Ritchie; Michael J  
Persson

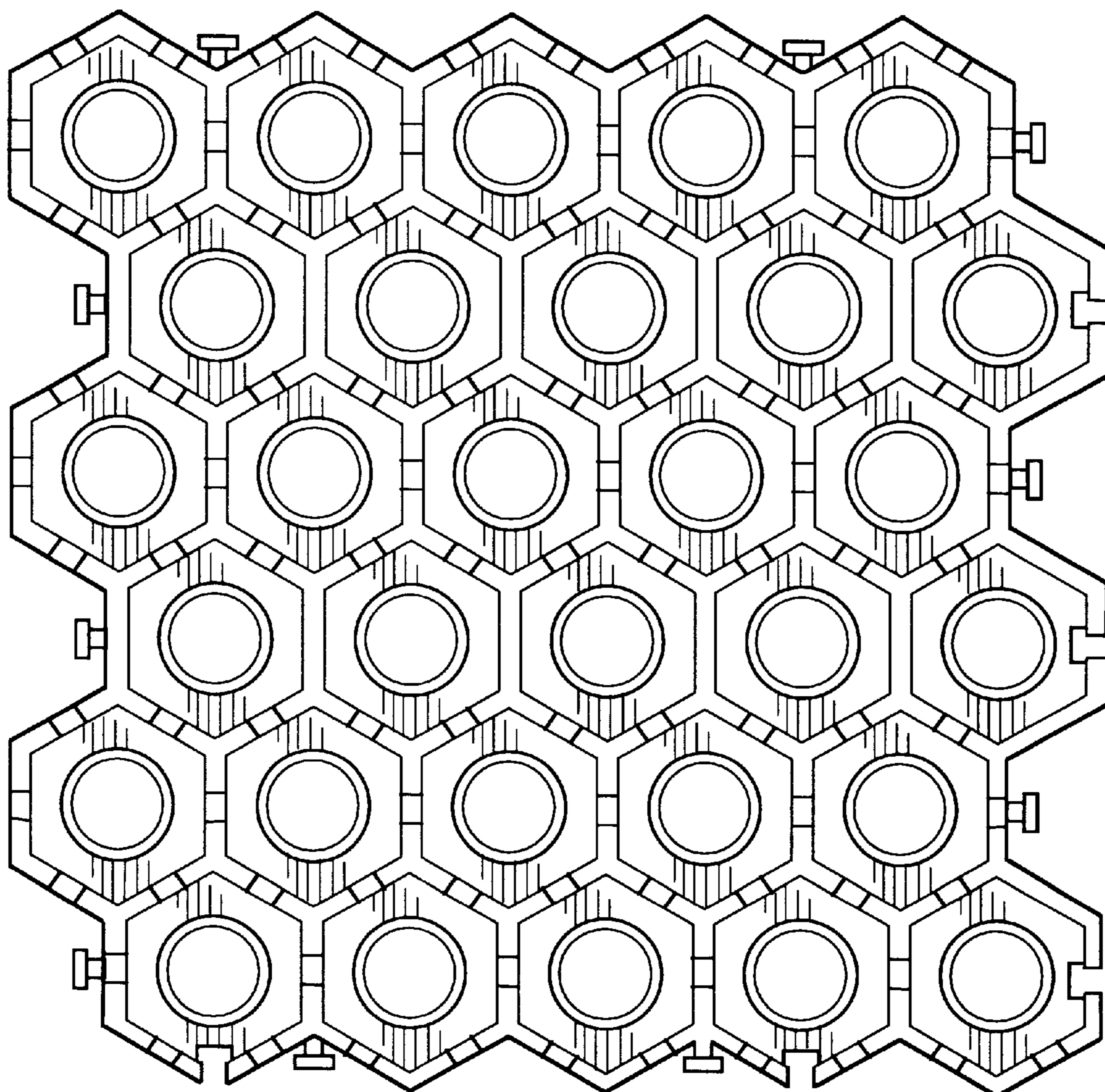
[57] **CLAIM**

The ornamental design for my plastic paver, as shown and  
described.

**DESCRIPTION**

FIG. 1 is a top view of the plastic paver.  
FIG. 2 is a front side view of the plastic paver.  
FIG. 3 is a bottom view of the plastic paver; and,  
FIG. 4 is an isometric view of a cluster of cells of the plastic  
paver shown separately for clarity of illustration and are  
typically of all cells thereof.

**1 Claim, 2 Drawing Sheets**



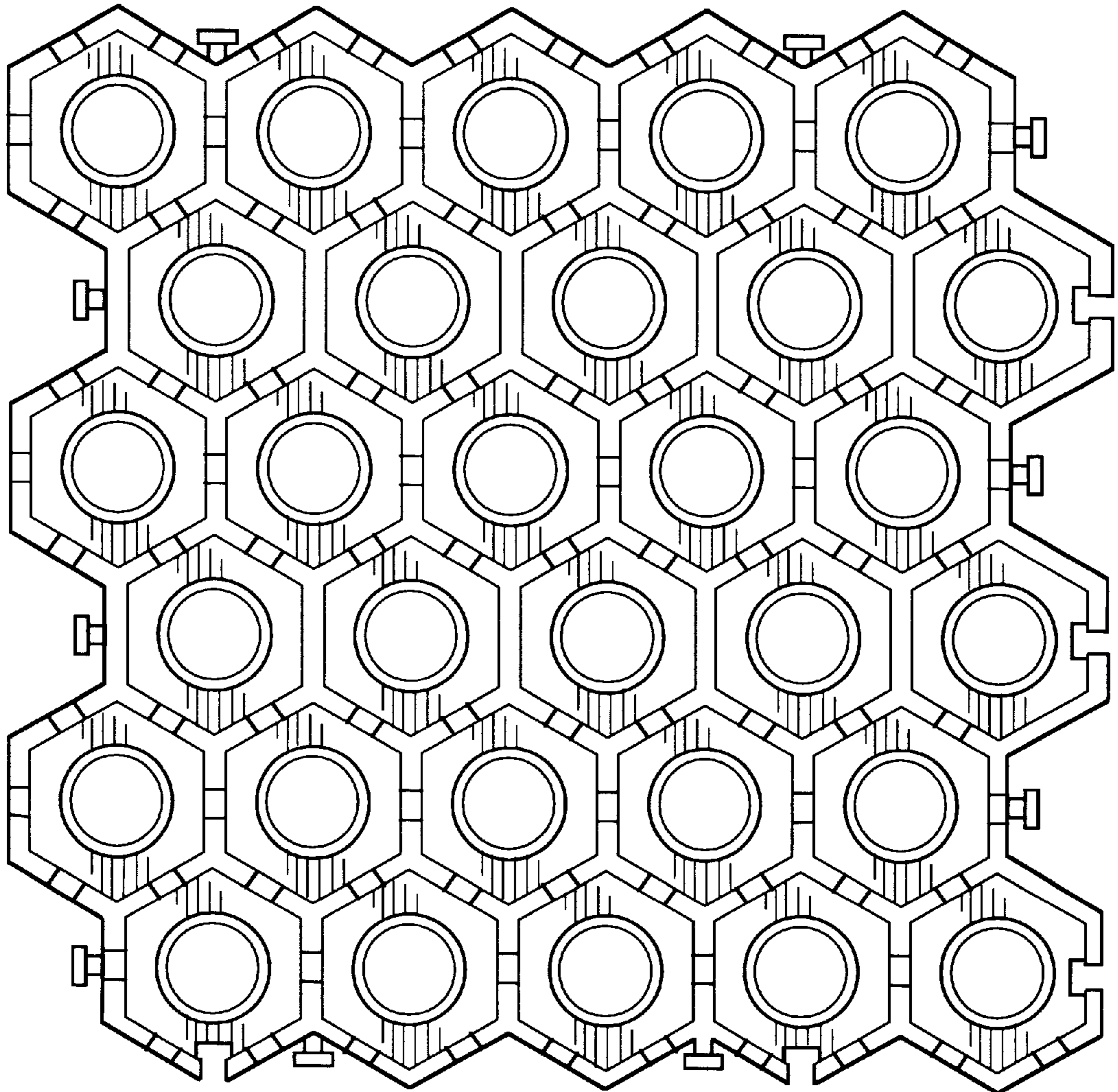


FIG. 1

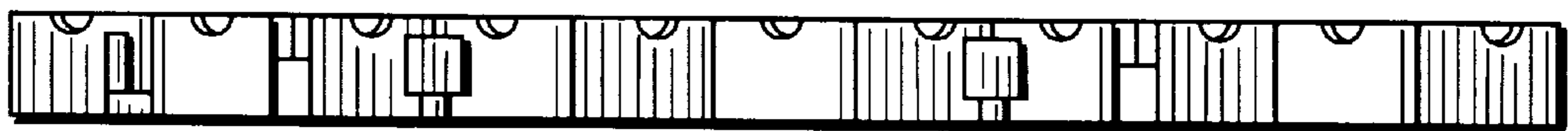


FIG. 2

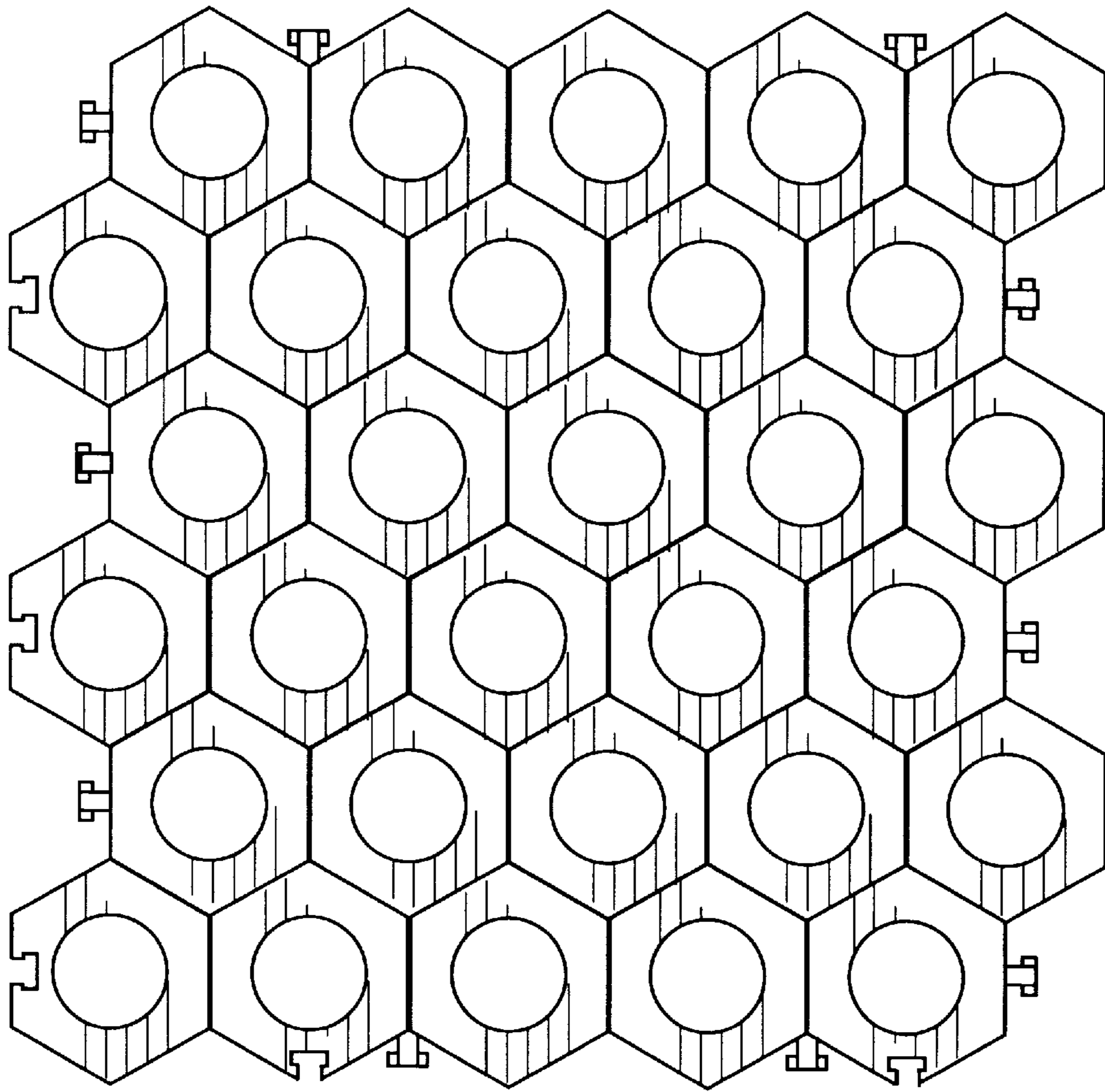


FIG. 3

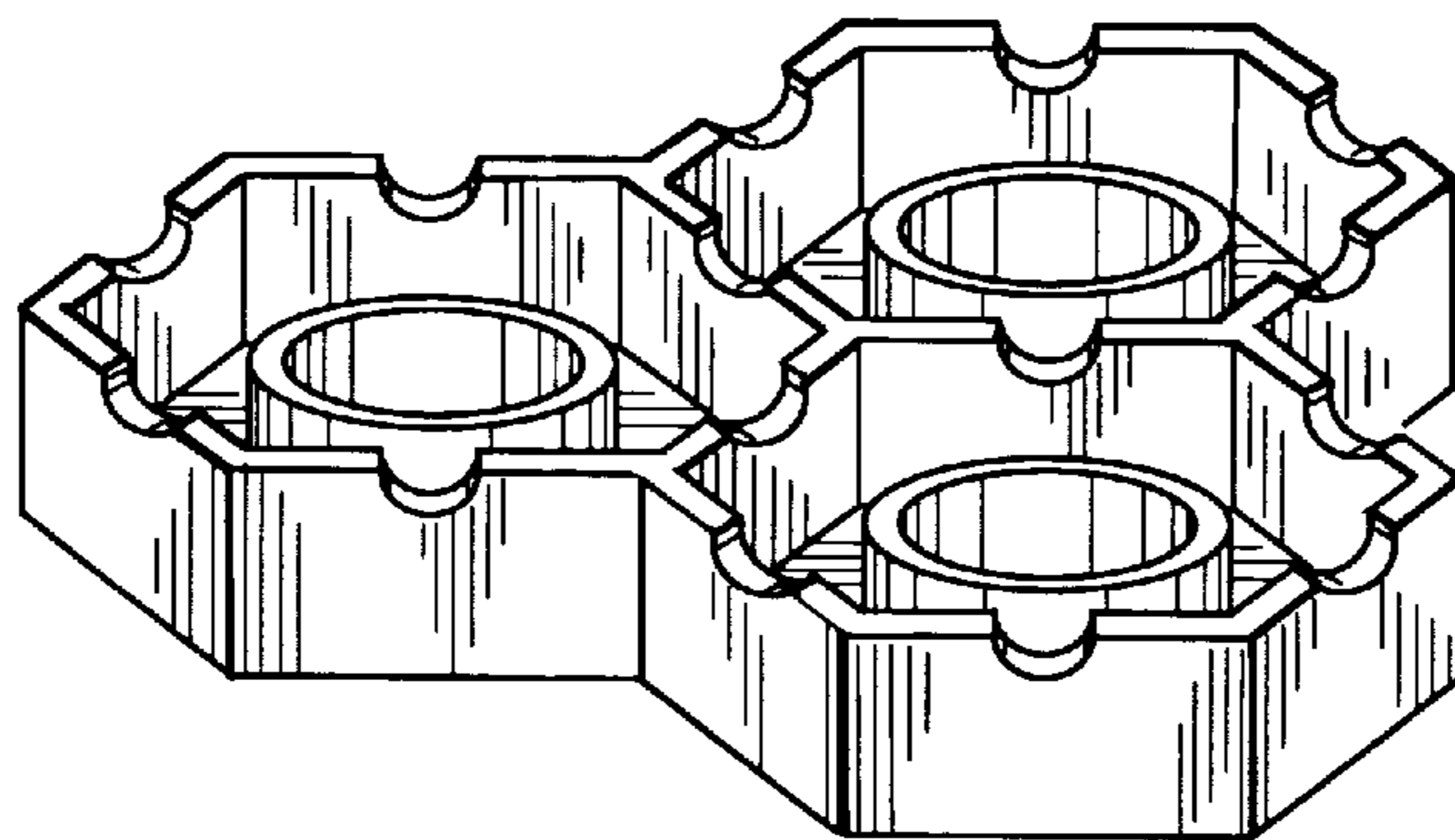


FIG. 4