



US00D423117S

United States Patent [19]
Chaney et al.

[11] **Patent Number: Des. 423,117**
[45] **Date of Patent: ** Apr. 18, 2000**

[54] **DECK RAILING CAP EXTRUSION**

[75] Inventors: **Michael T. Chaney**, Middletown;
Jonathan C. Hauberg, Beavercreek;
Paul A. Siudzinski, Springboro, all of
Ohio

[73] Assignee: **Dayton Technologies, Inc.**, Monroe,
Ohio

[**] Term: **14 Years**

[21] Appl. No.: **29/106,081**

[22] Filed: **Jun. 10, 1999**

[51] **LOC (6) Cl.** **25-01**

[52] **U.S. Cl.** **D25/122**

[58] **Field of Search** 14/73; 405/196;
119/406, 407, 525, 529; 52/177, 181; D25/124,
138, 122

[56] **References Cited**

U.S. PATENT DOCUMENTS

D. 345,222	3/1994	Hallsten et al.	D25/125
4,907,387	3/1990	Turnbull	52/177
5,351,458	10/1994	Lehe	119/529

Primary Examiner—Doris Clark

Attorney, Agent, or Firm—Jacox, Meckstroth & Jenkins

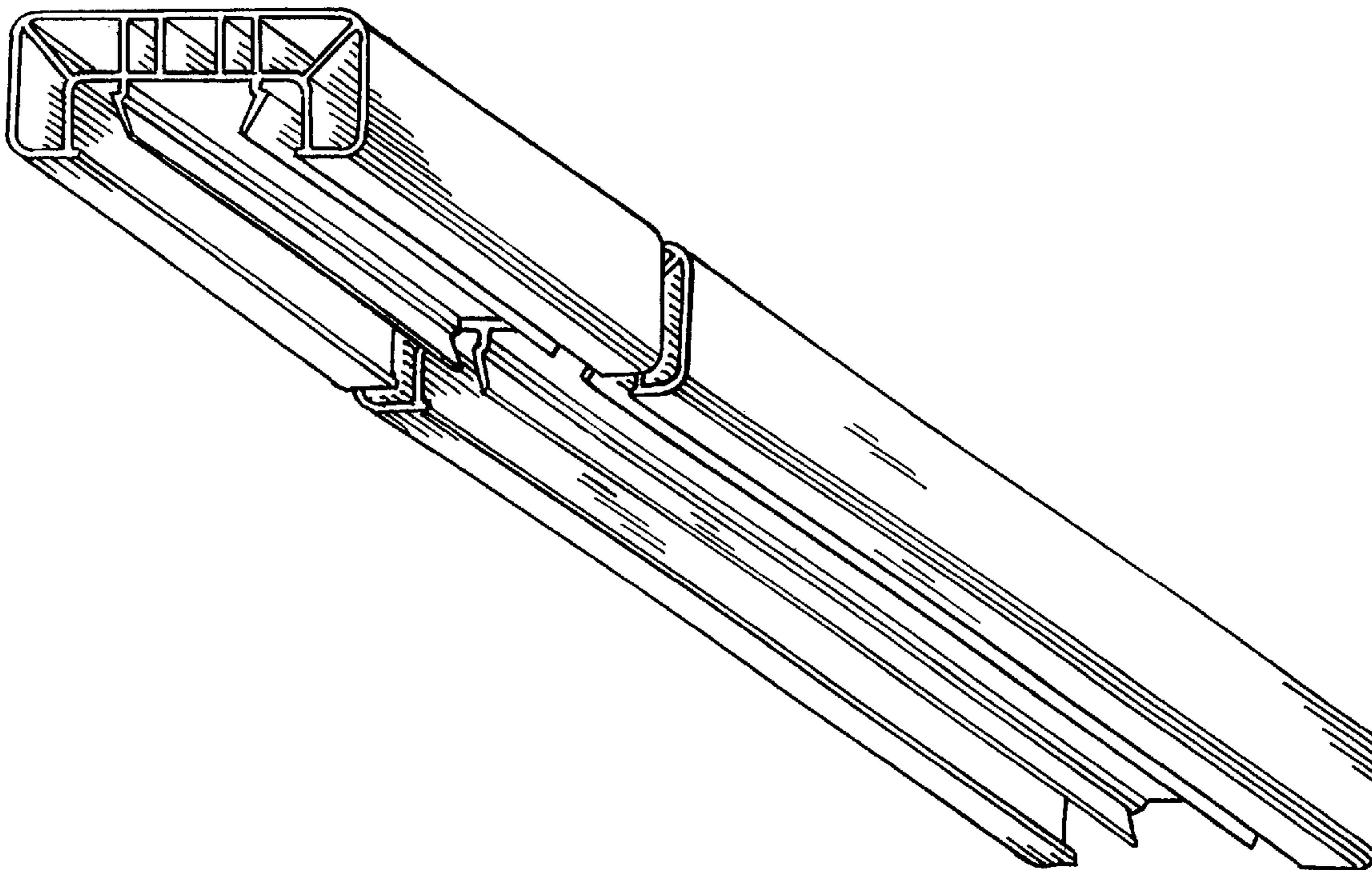
[57] **CLAIM**

The ornamental design of a deck railing cap extrusion, as shown and described.

DESCRIPTION

FIG. 1 is a front perspective view of a deck railing cap extrusion, showing our new design, with a middle portion broken away in the center to disclose indefinite length; and, FIG. 2 is an end view thereof, the opposite end view being the same.

1 Claim, 1 Drawing Sheet



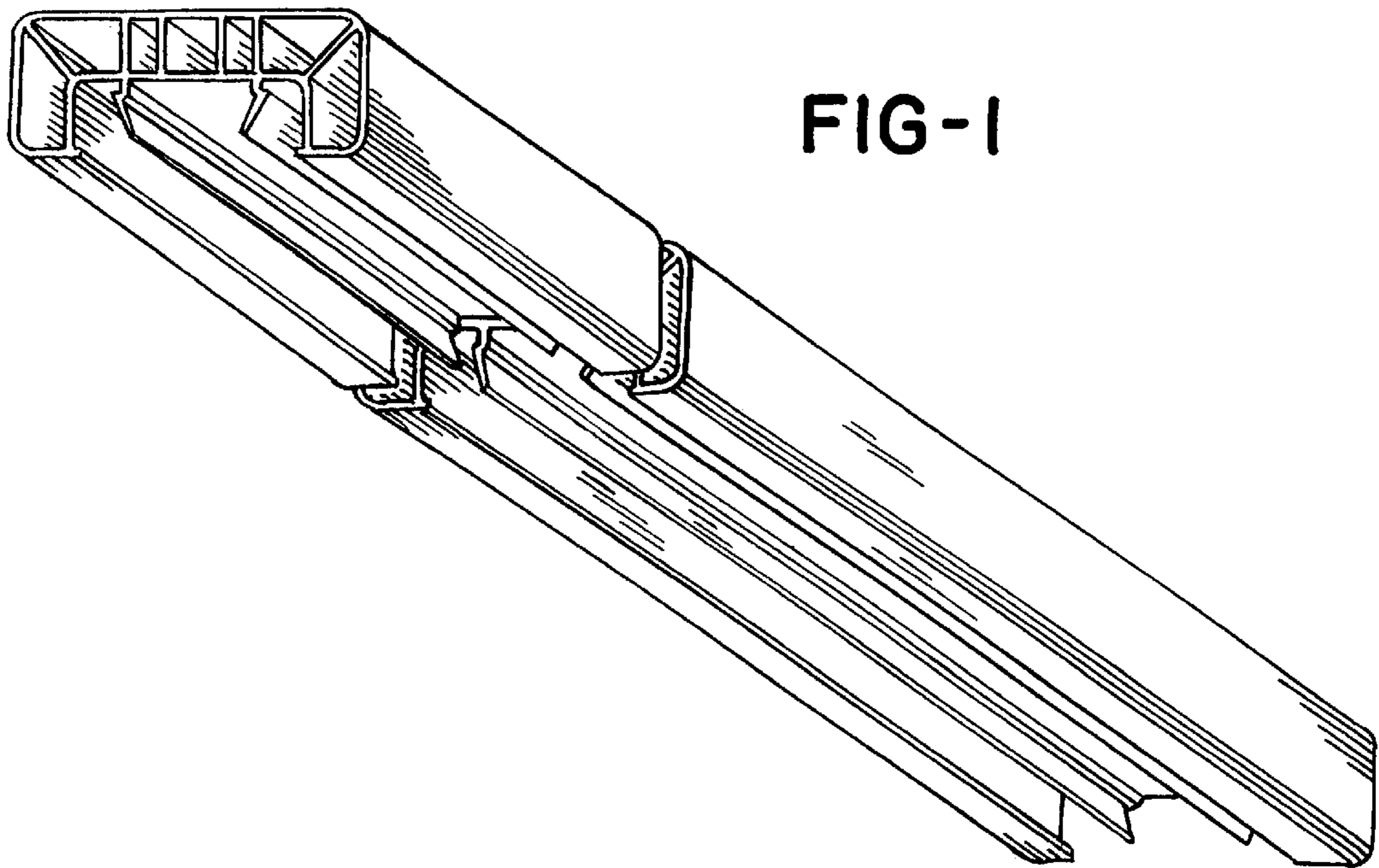


FIG-1

FIG-2

