



US00D423115S

United States Patent [19] Rothschild

[11] **Patent Number: Des. 423,115**

[45] **Date of Patent: ** Apr. 18, 2000**

[54] **ALUMINUM PROFILE**

5,307,596 5/1994 Bockmiller 52/241
5,426,904 6/1995 Gilmore 52/241

[75] Inventor: **Shlomo Rothschild**, Karmiel, Israel

[73] Assignee: **Finish Group Ltd.**, Karmiel, Israel

[**] Term: **14 Years**

Primary Examiner—Doris Clark
Attorney, Agent, or Firm—Mark M. Friedman

[21] Appl. No.: **29/098,593**

[22] Filed: **Dec. 31, 1998**

[57] **CLAIM**

The ornamental design for an aluminum profile, as shown.

[30] **Foreign Application Priority Data**

Jul. 2, 1998 [IL] Israel 30087

DESCRIPTION

[51] **LOC (6) Cl.** **25-01**

[52] **U.S. Cl.** **D25/121**

[58] **Field of Search** 52/241, 243; D25/121,
D25/164

FIG. 1 is a top perspective view of my design for an aluminum profile.

FIG. 2 is a bottom perspective view of my design for an aluminum profile; and,

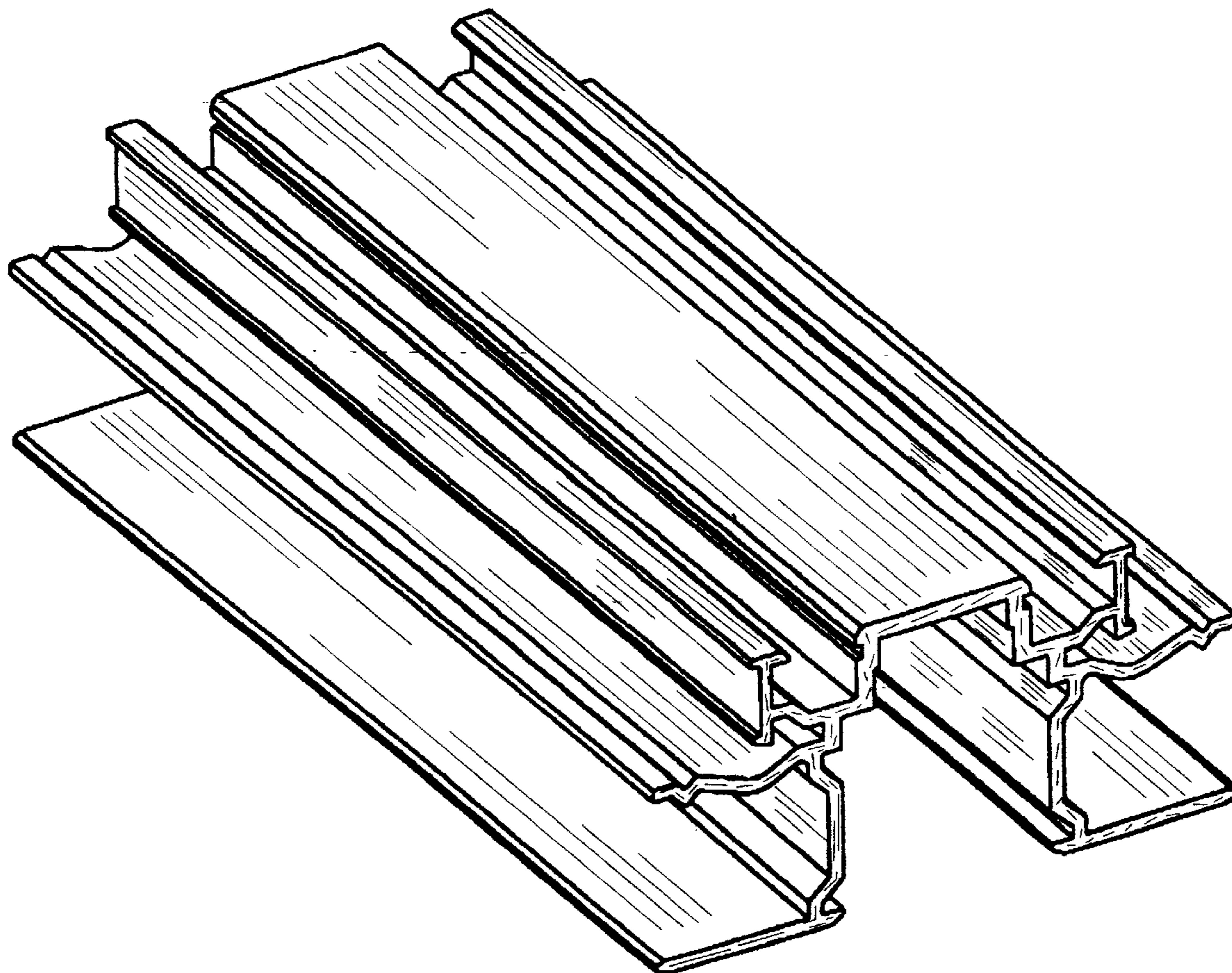
FIG. 3 is a side view of my design for an aluminum profile.

[56] **References Cited**

U.S. PATENT DOCUMENTS

D. 298,858 12/1988 Andersson et al. D25/164

1 Claim, 3 Drawing Sheets



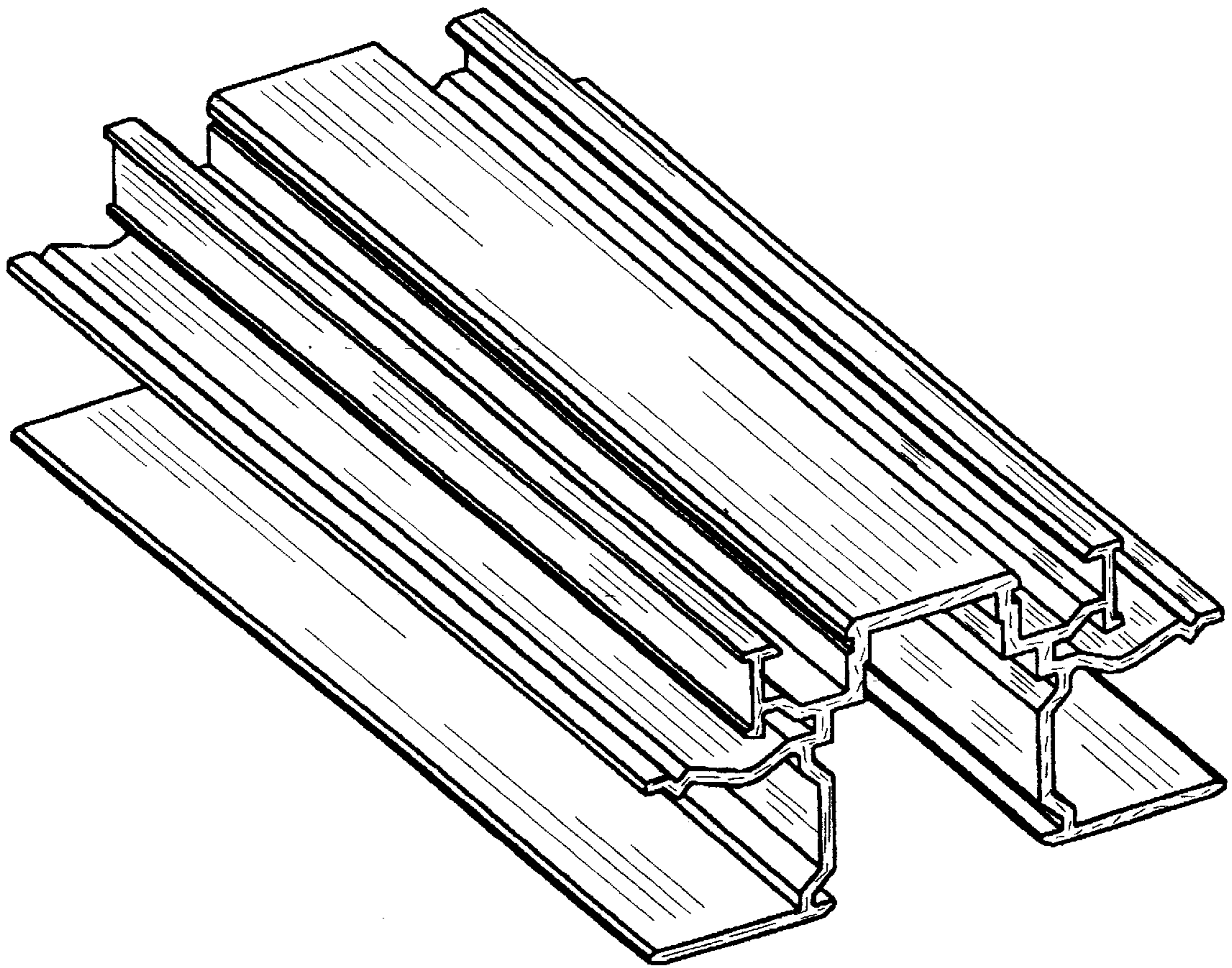


Fig. 1

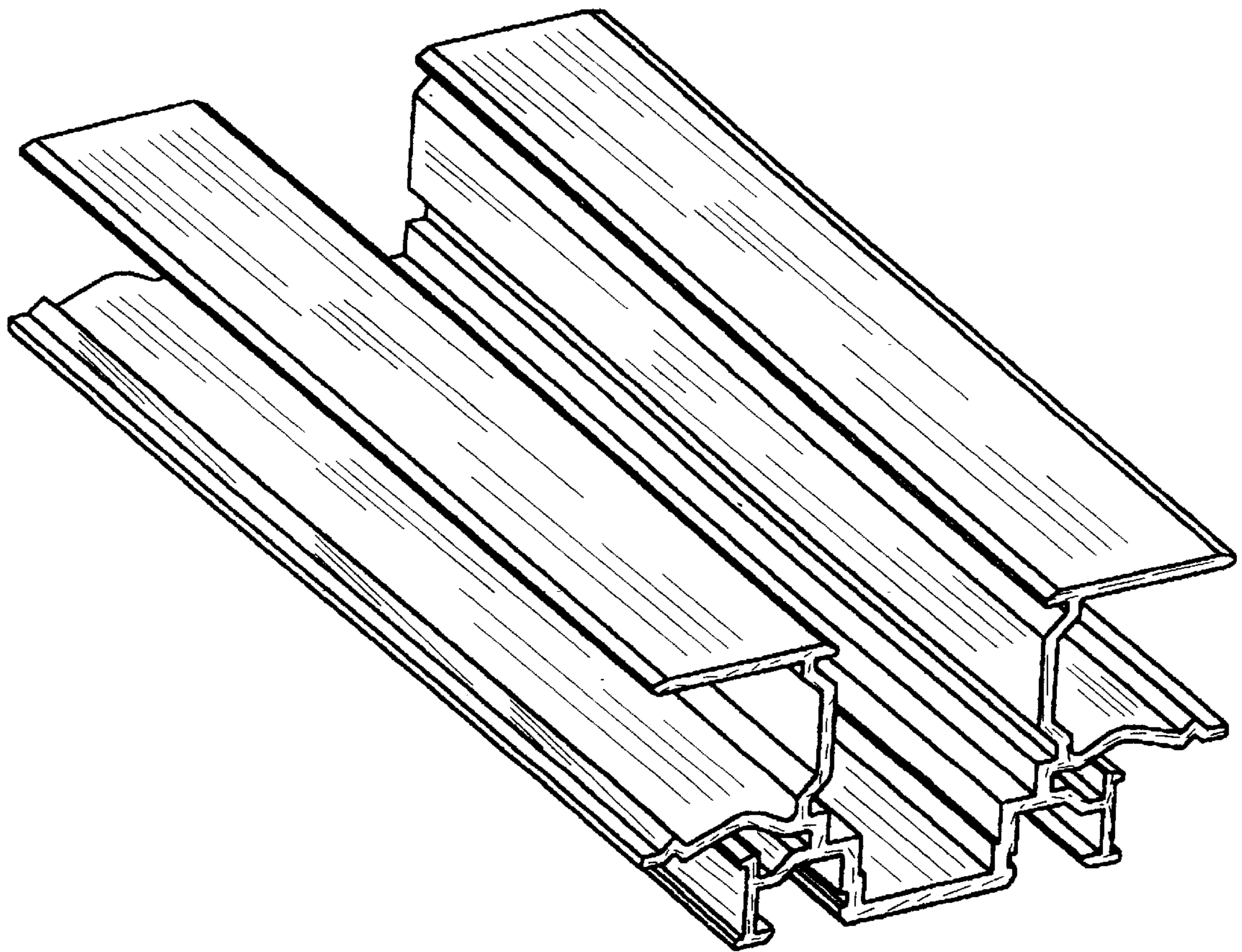


Fig. 2

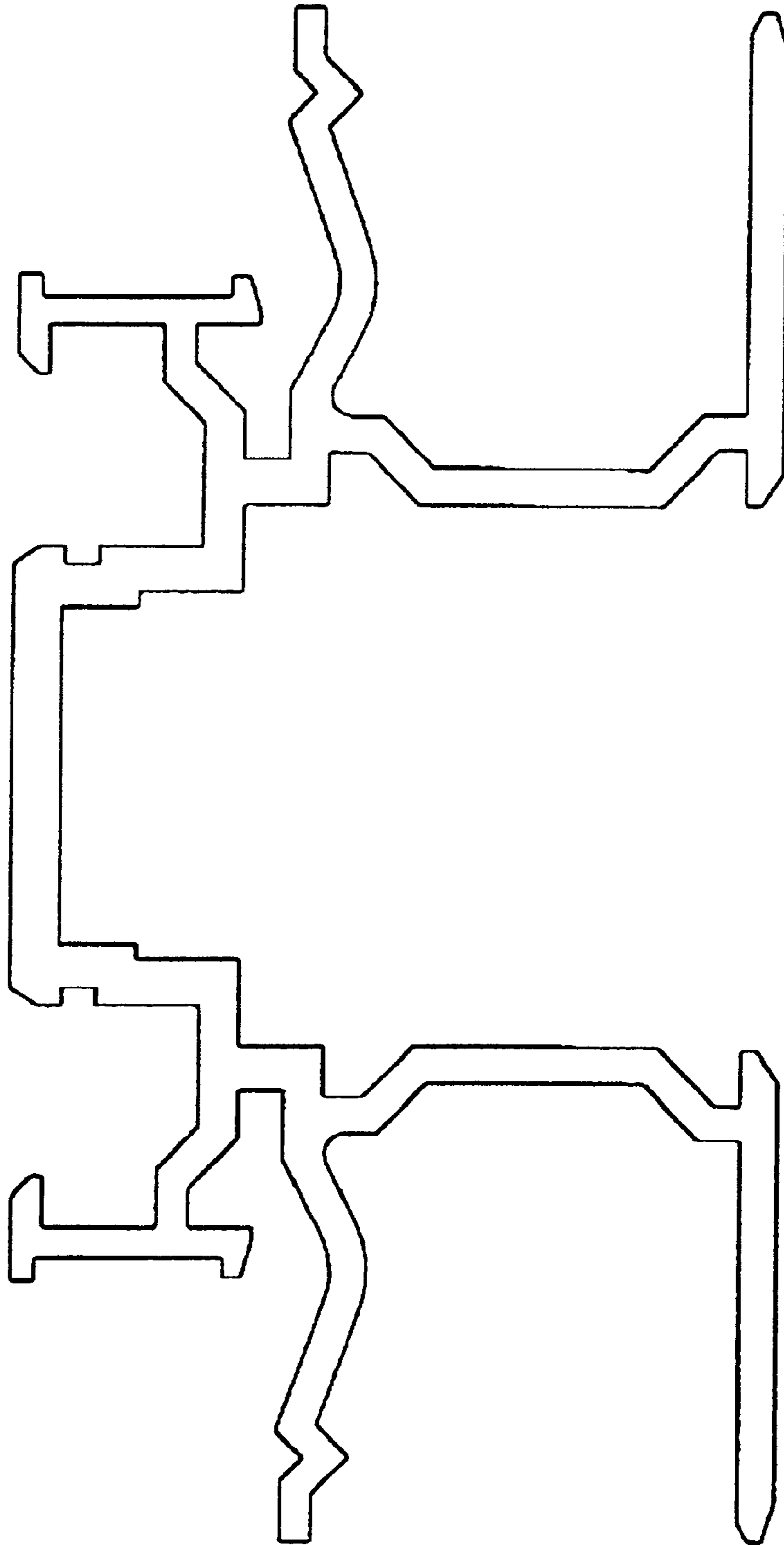


Fig. 3