



US00D423112S

United States Patent [19] Rosen

[11] **Patent Number: Des. 423,112**

[45] **Date of Patent: ** Apr. 18, 2000**

[54] **COLOR CAROUSEL TOY**

[75] Inventor: **Lawrence I. Rosen**, Mendham, N.J.

[73] Assignee: **Rose Art Industries, Inc.**, Livingston, N.J.

[**] Term: **14 Years**

[21] Appl. No.: **29/095,404**

[22] Filed: **Oct. 22, 1998**

[51] **LOC (6) Cl.** **21-01**

[52] **U.S. Cl.** **D24/483; D28/73**

[58] **Field of Search** D28/73-75, 61;
D21/483, 522; 206/214, 349, 566, 581,
823; 211/70.6, 71.01, 74, 133.1; 248/127,
176.1; 446/475, 472, 491; D3/205, 206,
304, 307-315

[56] **References Cited**

U.S. PATENT DOCUMENTS

- D. 322,731 12/1991 Willie D28/73 X
- D. 347,942 6/1994 Gilbert et al. D28/73 X

D. 373,445 9/1996 Wright-godley D28/61

Primary Examiner—Terry A. Wallace
Attorney, Agent, or Firm—Allen N. Friedman; McCarter & English LLP

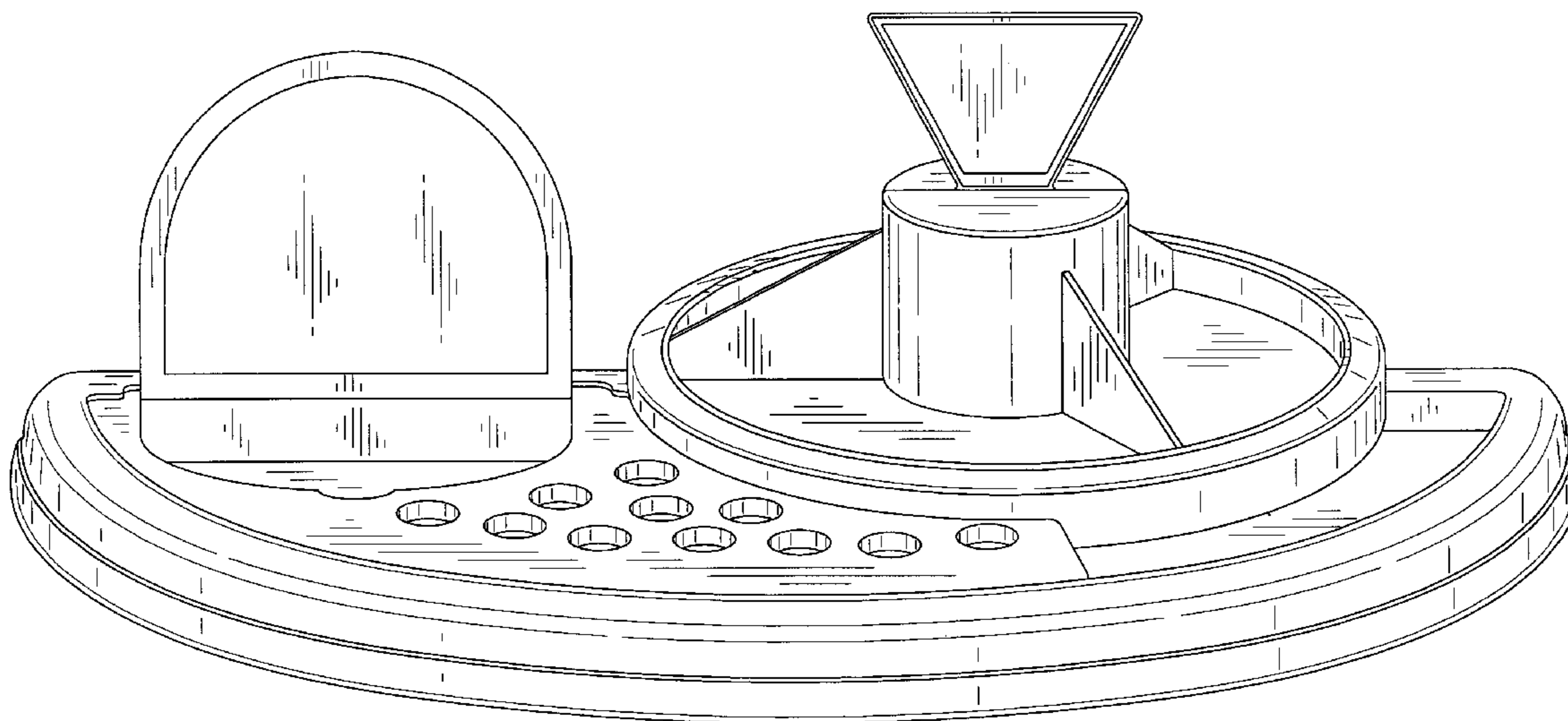
[57] **CLAIM**

The ornamental design for a color carousel toy, as shown and described.

DESCRIPTION

FIG. 1 is a perspective view of an article of the invention; FIG. 2 is a front elevational view of an article of the invention; FIG. 3 is a rear elevational view of an article of the invention; FIG. 4 is a left elevational view of an article of the invention; FIG. 5 is a right elevational view of an article of the invention; FIG. 6 is a plan view of an article of the invention; FIG. 7 is a bottom view of an article of the invention; and, FIG. 8 is a perspective view of an article of the invention, showing a closed compartment lid.

1 Claim, 6 Drawing Sheets



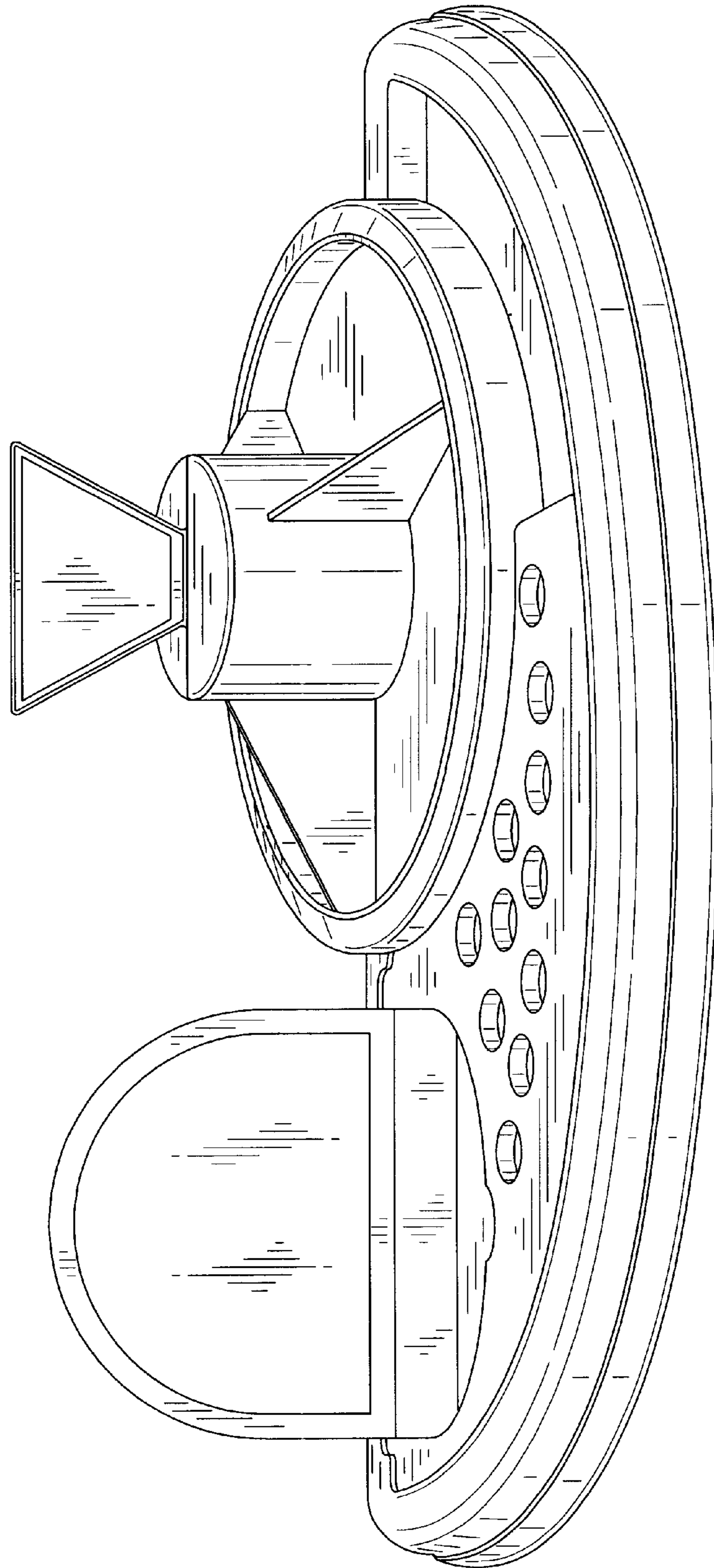


FIG. 1

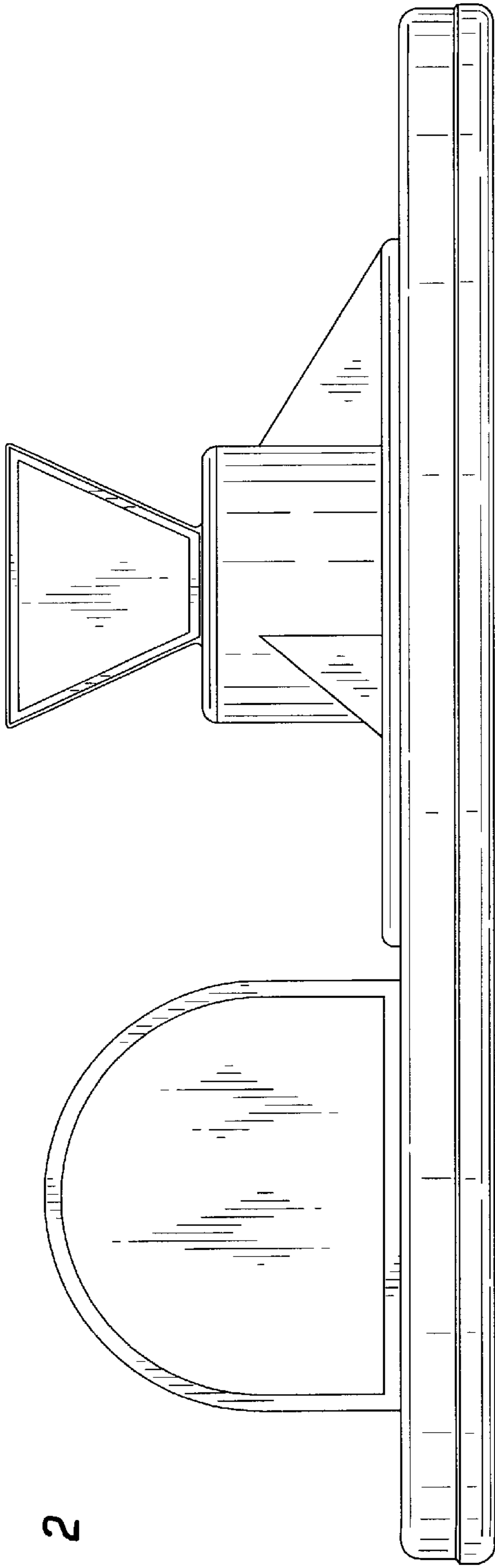


FIG. 2

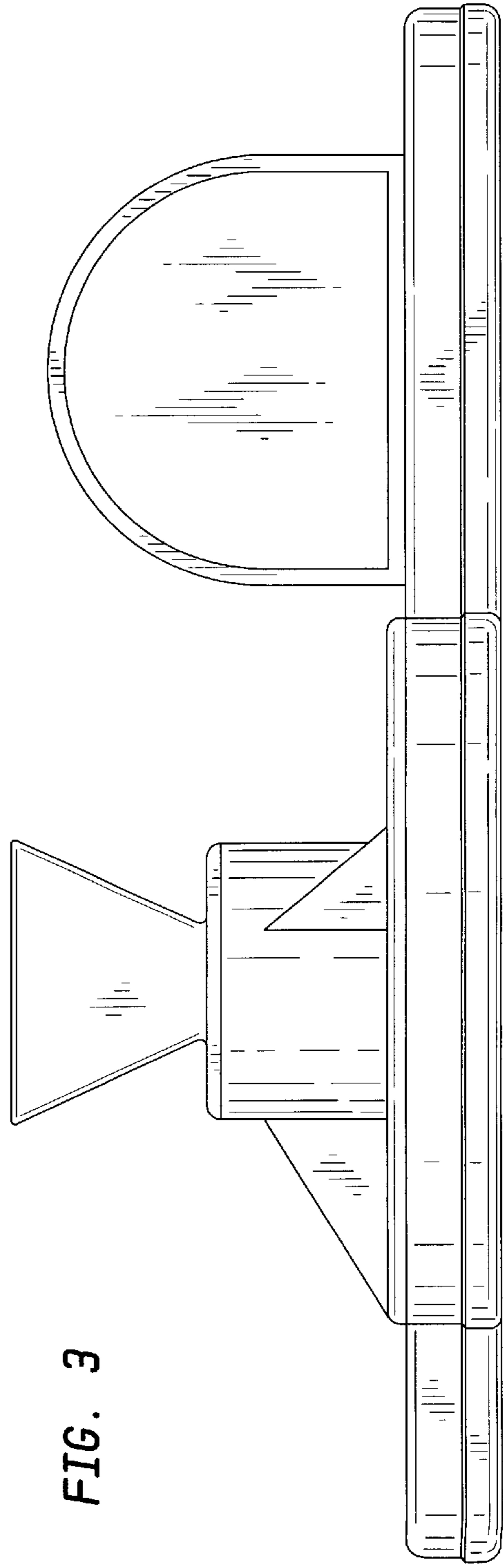


FIG. 3

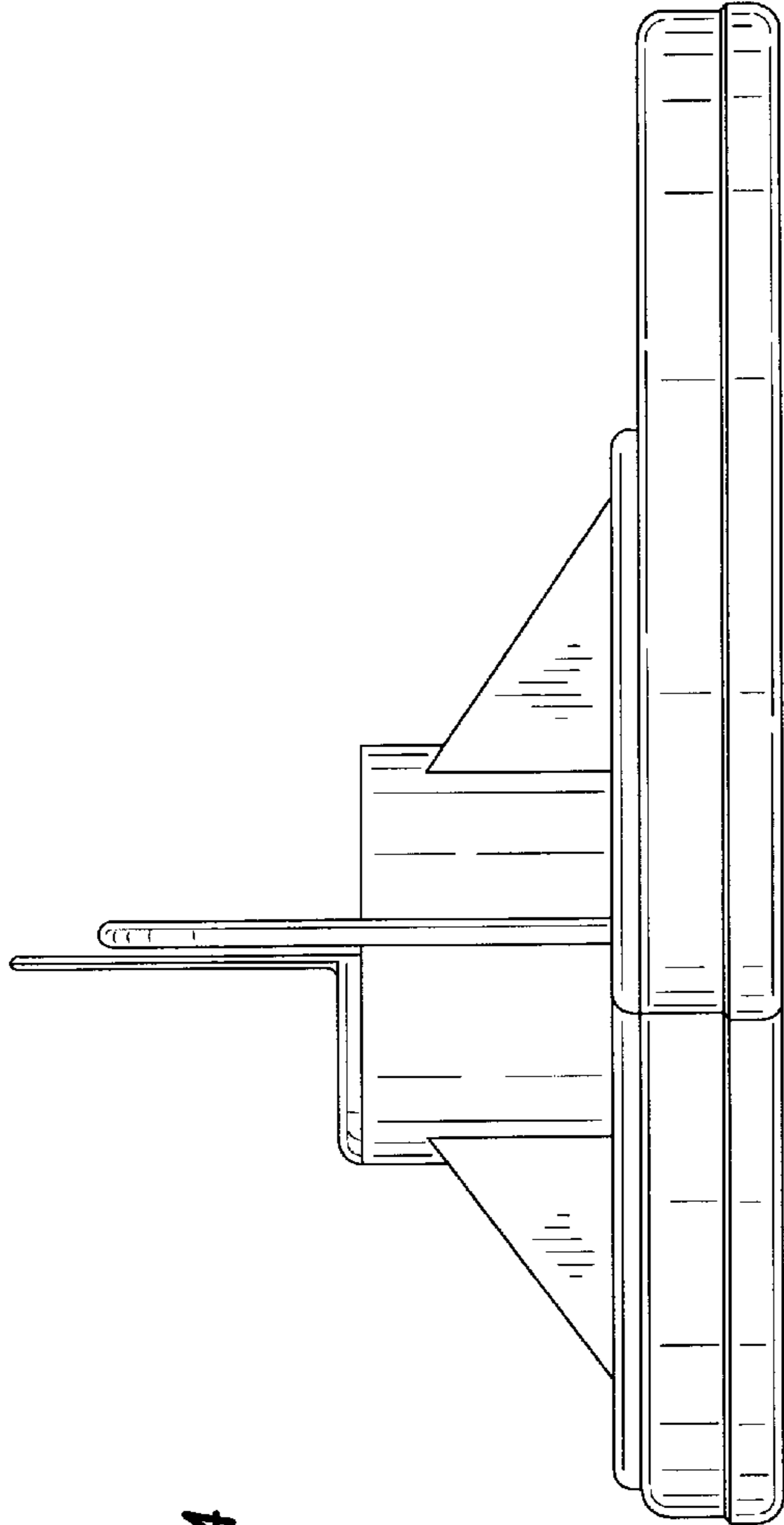


FIG. 4

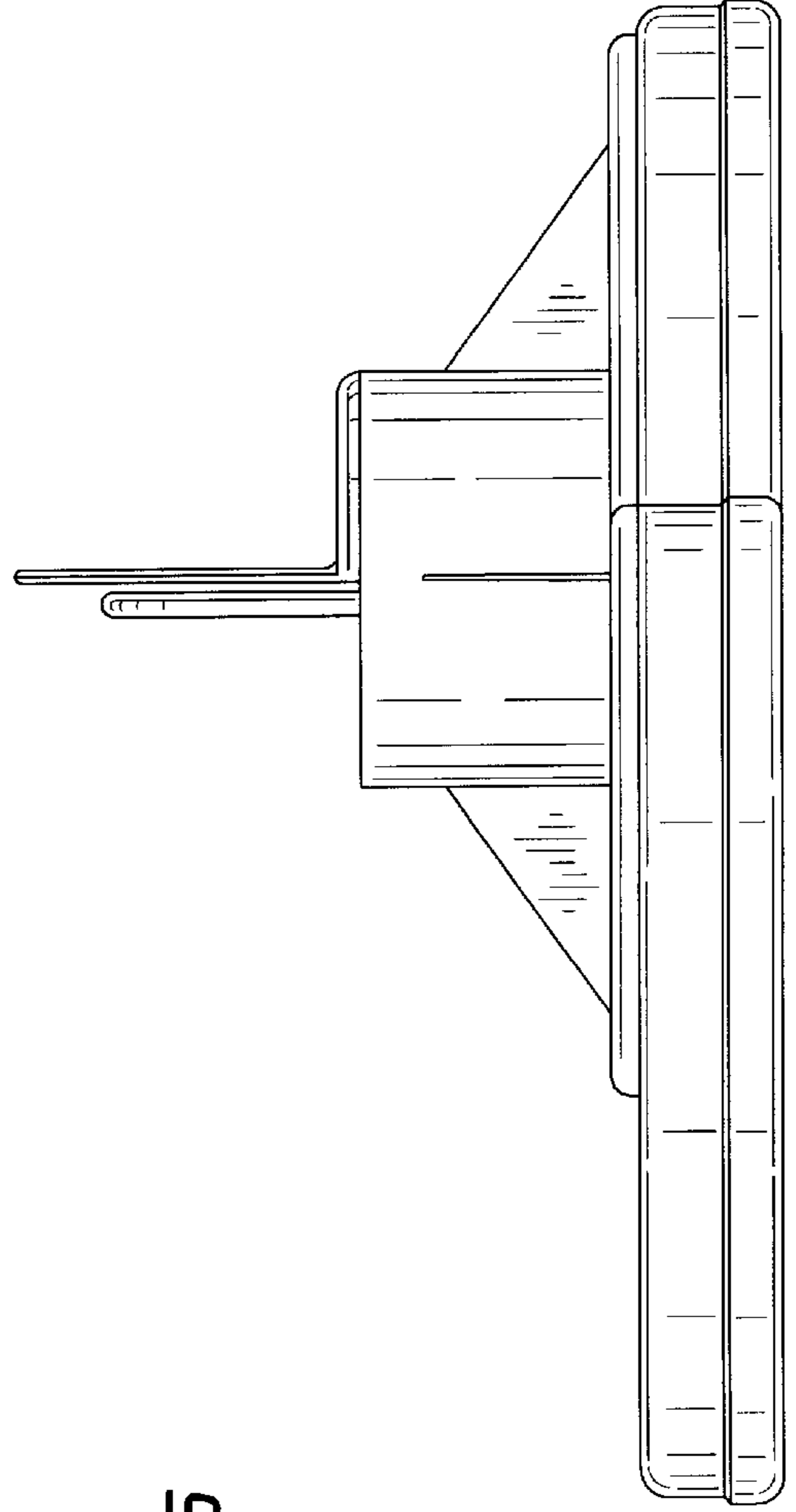


FIG. 5

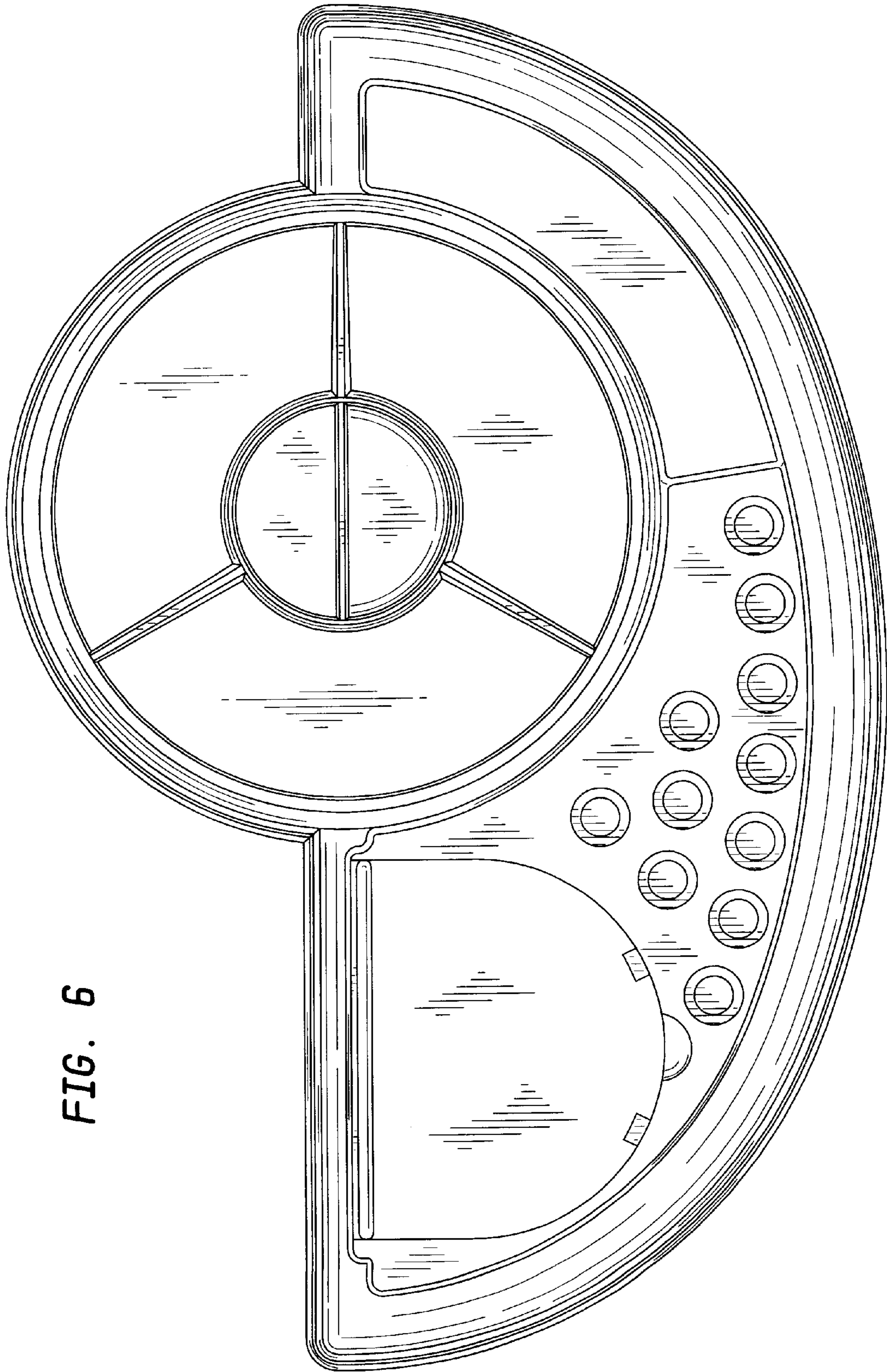


FIG. 6

FIG. 7

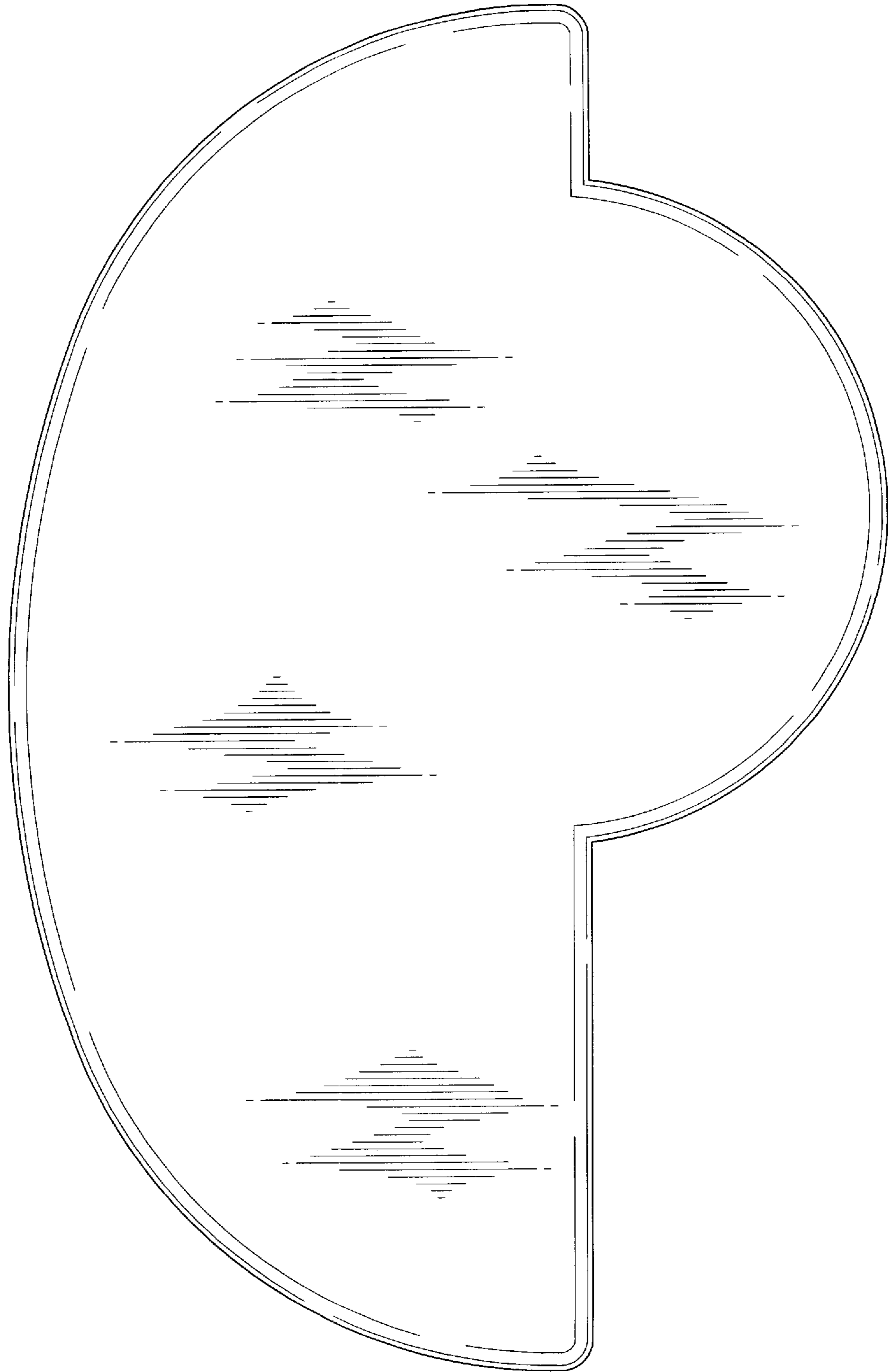


FIG. 8

