



US00D423107S

# United States Patent [19]

[11] Patent Number: Des. 423,107

Brown et al.

[45] Date of Patent: \*\* Apr. 18, 2000

[54] NURSING BOTTLE WITH INDENTED SIDES

[75] Inventors: **Robert J. Brown; Bernard J. Kemper; Roberta Brown**, all of Bonne Terre, Mo.

[73] Assignee: **Handi-Craft Company**, St. Louis, Mo.

[\*\*] Term: **14 Years**

[21] Appl. No.: **29/099,178**

[22] Filed: **Jan. 15, 1999**

[51] LOC (6) Cl. .... **07-01**

[52] U.S. Cl. .... **D24/197**

[58] Field of Search ..... D24/197; 215/11.1, 215/11.2, 11.3, 11.4, 11.5, 11.6

D. 351,656	10/1994	Collins	.....	D24/198
D. 356,160	3/1995	Cautereels	.....	D24/197
D. 368,138	3/1996	Hamilton	.....	D24/197
D. 368,529	4/1996	Allegre	.....	D24/197
D. 370,262	5/1996	Allegre	.....	D24/197
D. 376,430	12/1996	Humphrey et al.	.....	D24/197
D. 382,969	8/1997	Giles et al.	.....	D24/197
D. 383,847	9/1997	Skinner	.....	D24/197
D. 392,390	3/1998	Chan et al.	.....	D24/197
D. 393,315	4/1998	Crisi	.....	D24/197
D. 397,444	8/1998	Ibey	.....	D24/197
D. 399,005	9/1998	Chan et al.	.....	D24/197
3,145,867	8/1964	Roberts et al.	.....	215/11.1
4,703,863	11/1987	Kohus	.....	215/11.1
5,215,203	6/1993	Malcolm	.....	215/100 A
5,509,549	4/1996	Marandola	.....	215/11.3

Primary Examiner—Stella Reid  
Attorney, Agent, or Firm—Herzog, Crebs & McGhee, LLP

## [56] References Cited

### U.S. PATENT DOCUMENTS

D. 226,688	4/1973	Thornton	.	
D. 298,354	11/1988	Viator	.....	D24/47
D. 301,741	6/1989	Barber	.....	D24/47
D. 307,476	4/1990	Gonzalez et al.	.....	D24/47
D. 308,575	6/1990	Mariol	.....	D24/47
D. 312,878	12/1990	Mariol	.....	D24/47
D. 313,075	12/1990	Mariol	.....	D24/47
D. 315,021	2/1991	Frosceno et al.	.....	D24/47
D. 315,409	3/1991	Baarber	.....	D24/47
D. 320,455	10/1991	Malcolm	.....	D24/199
D. 320,859	10/1991	Malcolm	.....	D24/197
D. 330,084	10/1992	Kwang	.....	D24/198
D. 333,704	3/1993	Malcolm	.....	D24/194
D. 340,771	10/1993	Levy et al.	.....	D24/197
D. 347,066	5/1994	Malcolm et al.	.....	D24/197

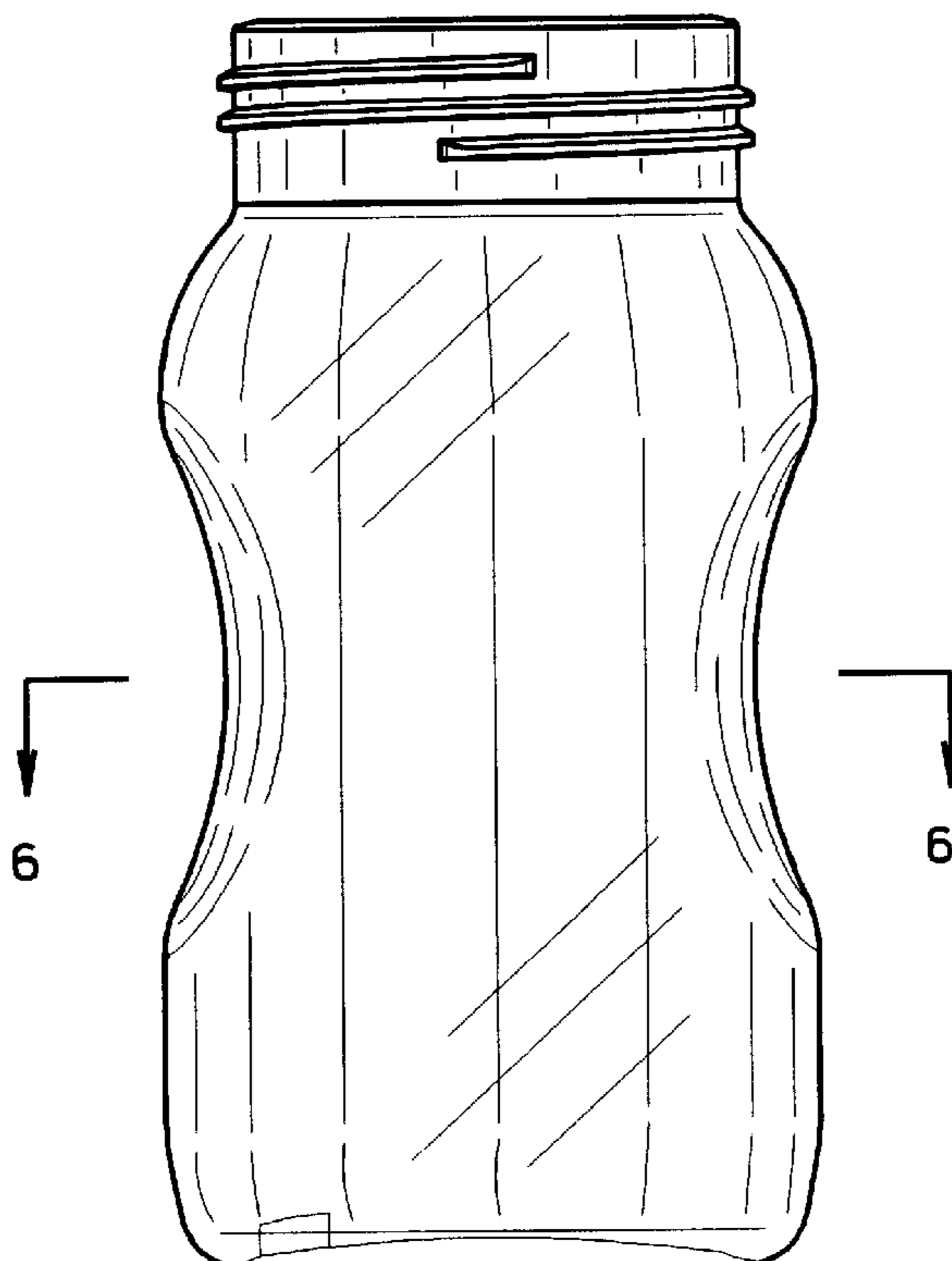
## [57] CLAIM

The ornamental design for a nursing bottle with indented sides, as shown and described.

### DESCRIPTION

FIG. 1 is a right top front perspective view of a nursing bottle with indented sides, showing our new design; FIG. 2 is a front elevational view thereof; FIG. 3 is a left side elevational view thereof, the right side elevational view being identical; FIG. 4 is a top plan view thereof; FIG. 5 is a bottom plan view thereof; and, FIG. 6 is a cross-sectional view taken along line 6—6 of FIG. 2.

1 Claim, 2 Drawing Sheets



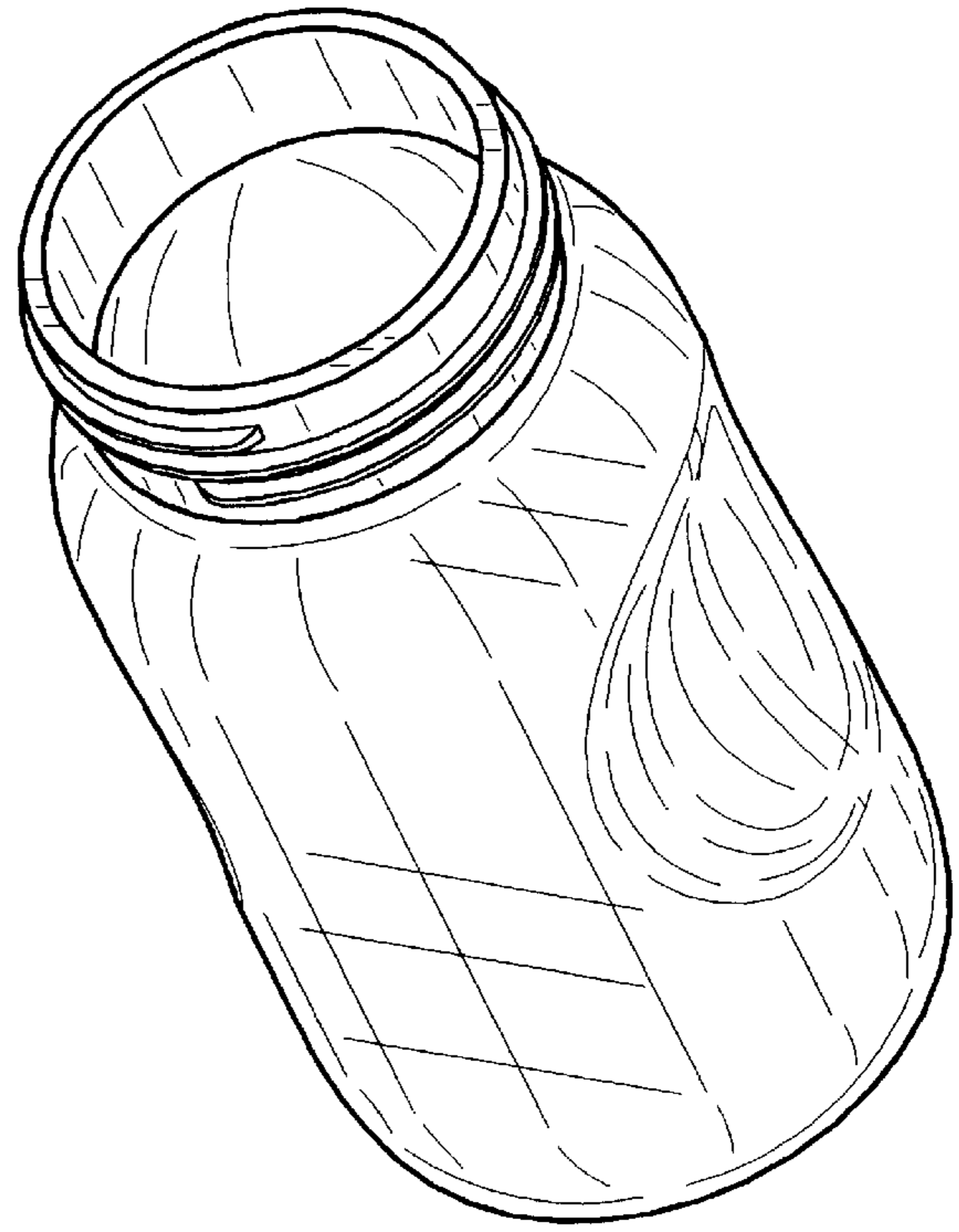


FIG. 1

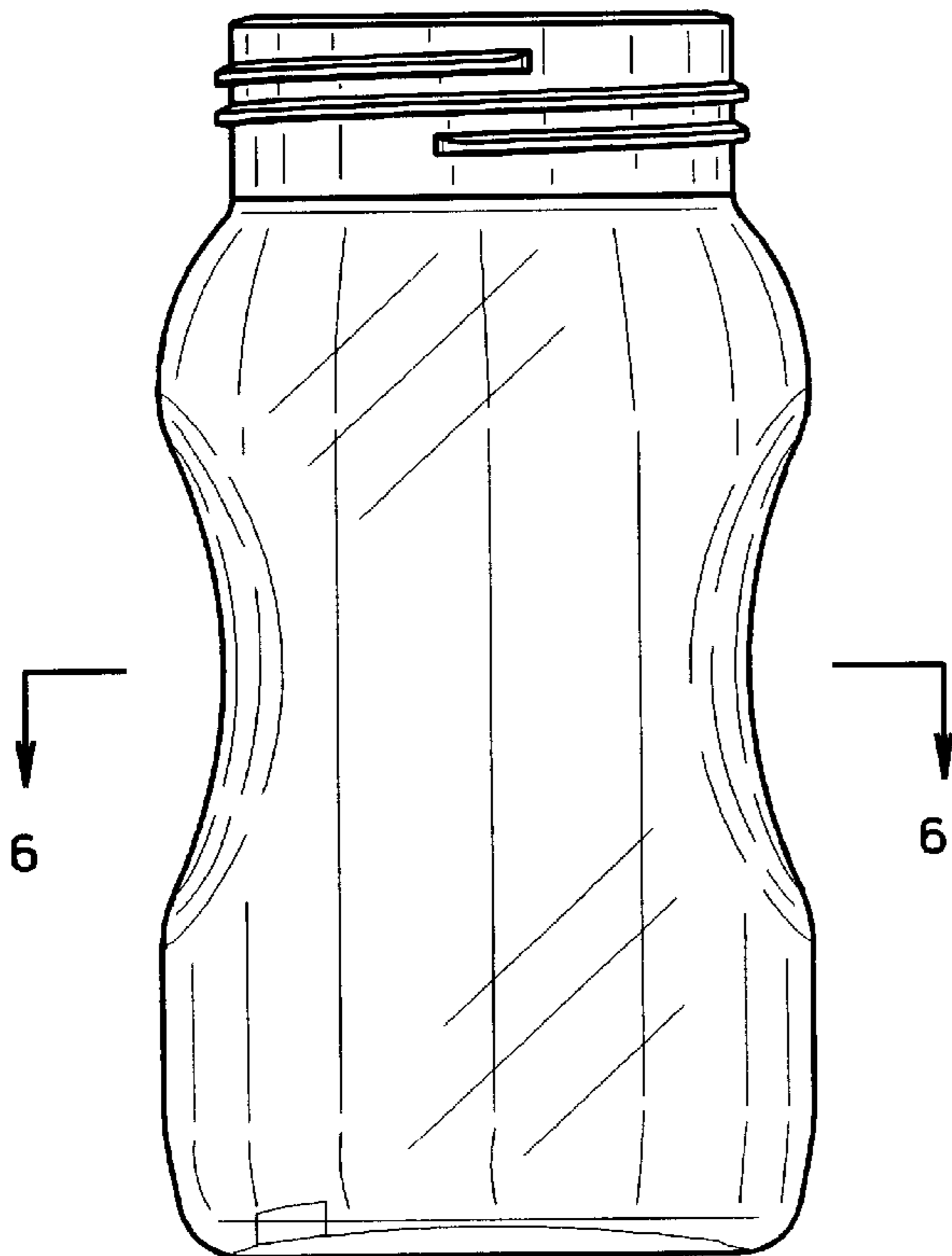


FIG. 2

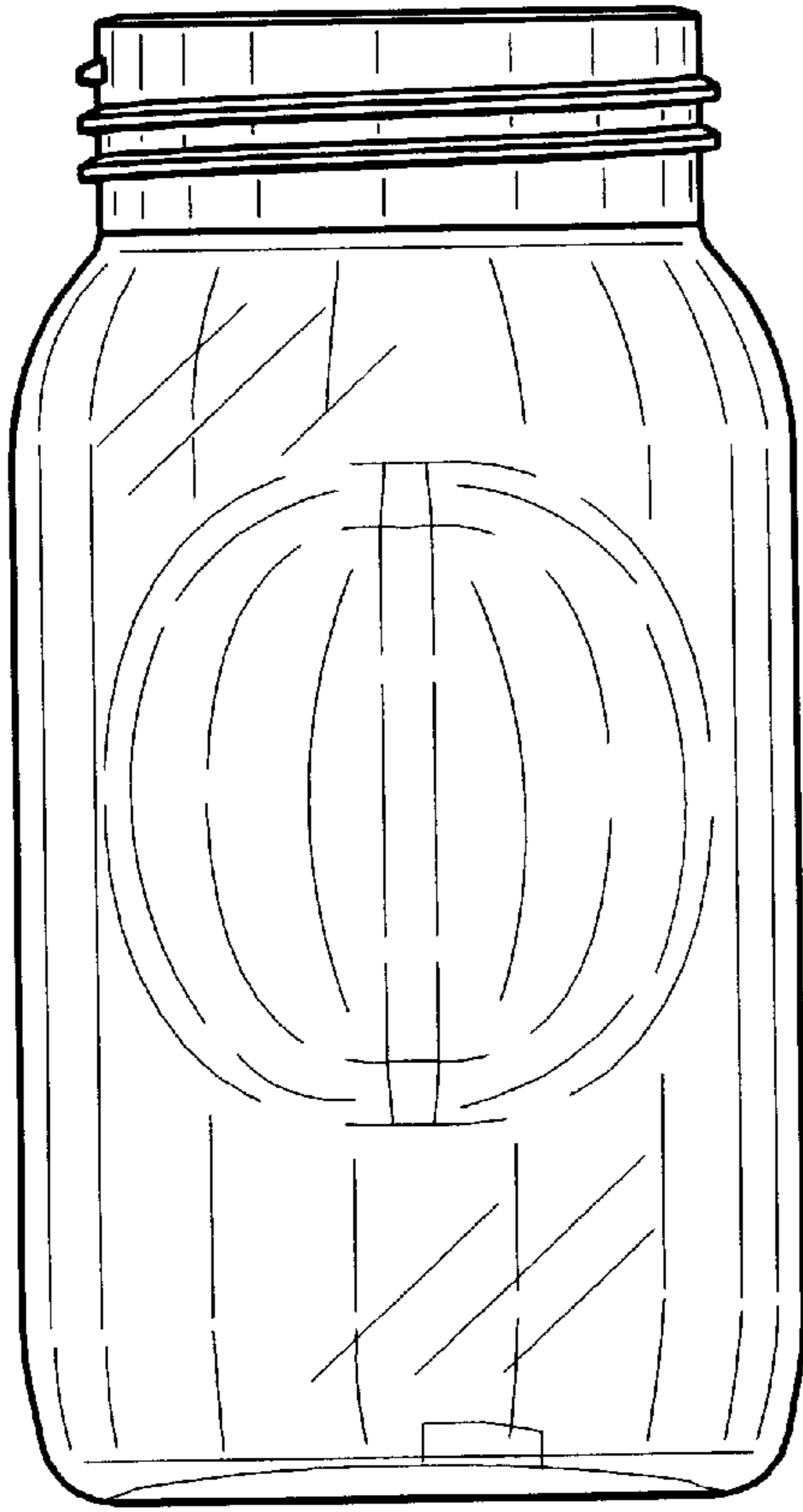


FIG. 3

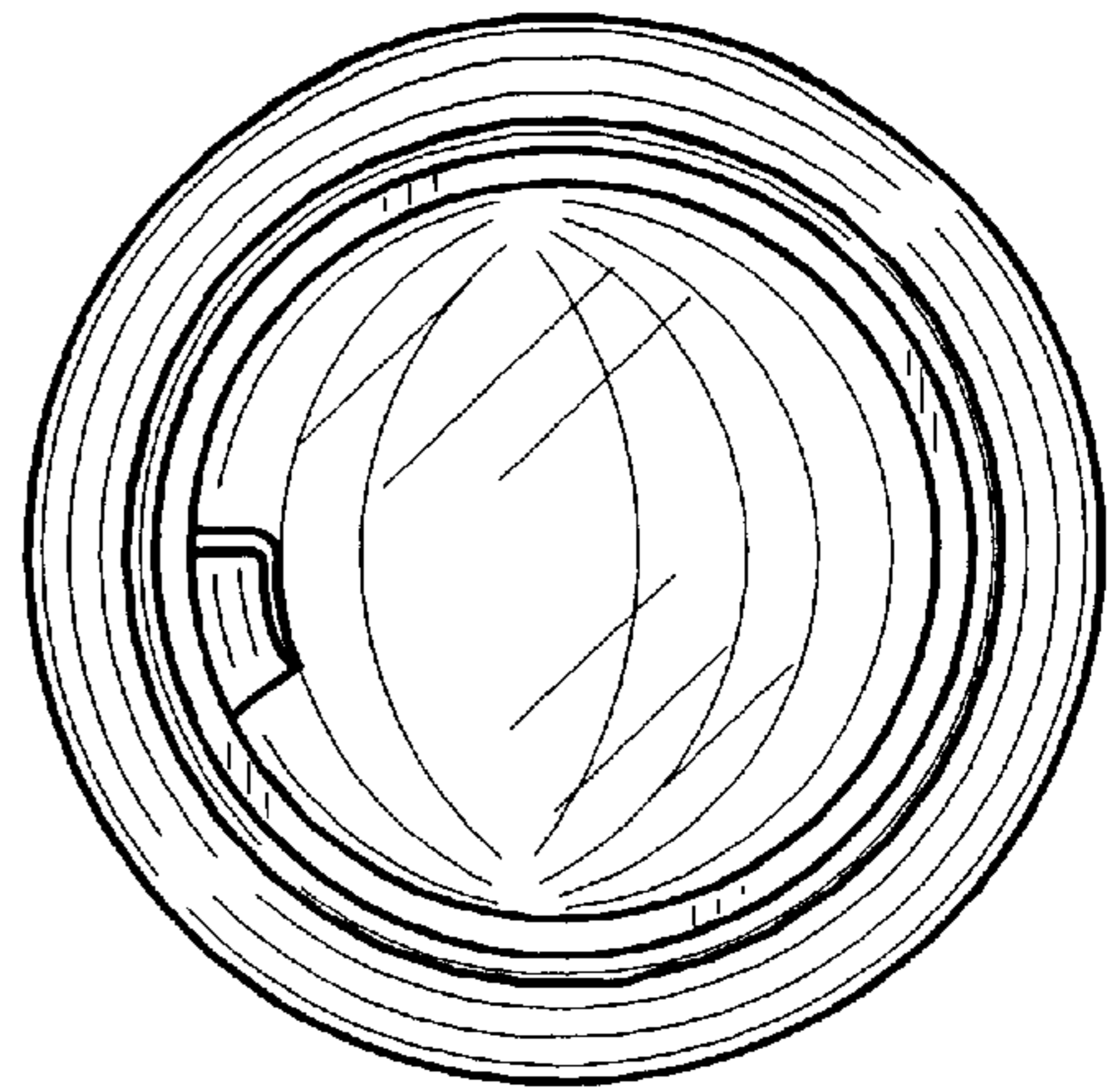


FIG. 4

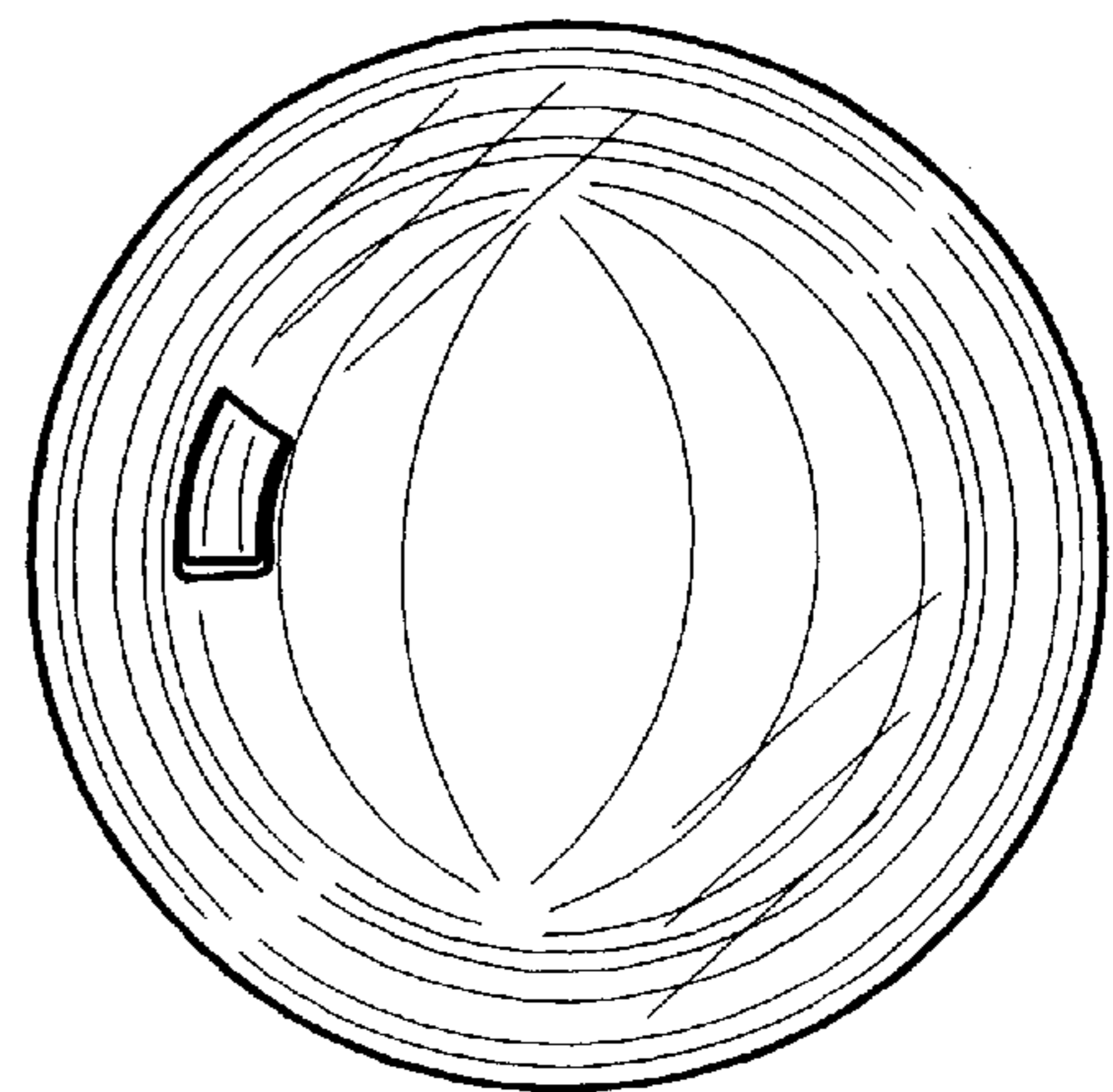


FIG. 5

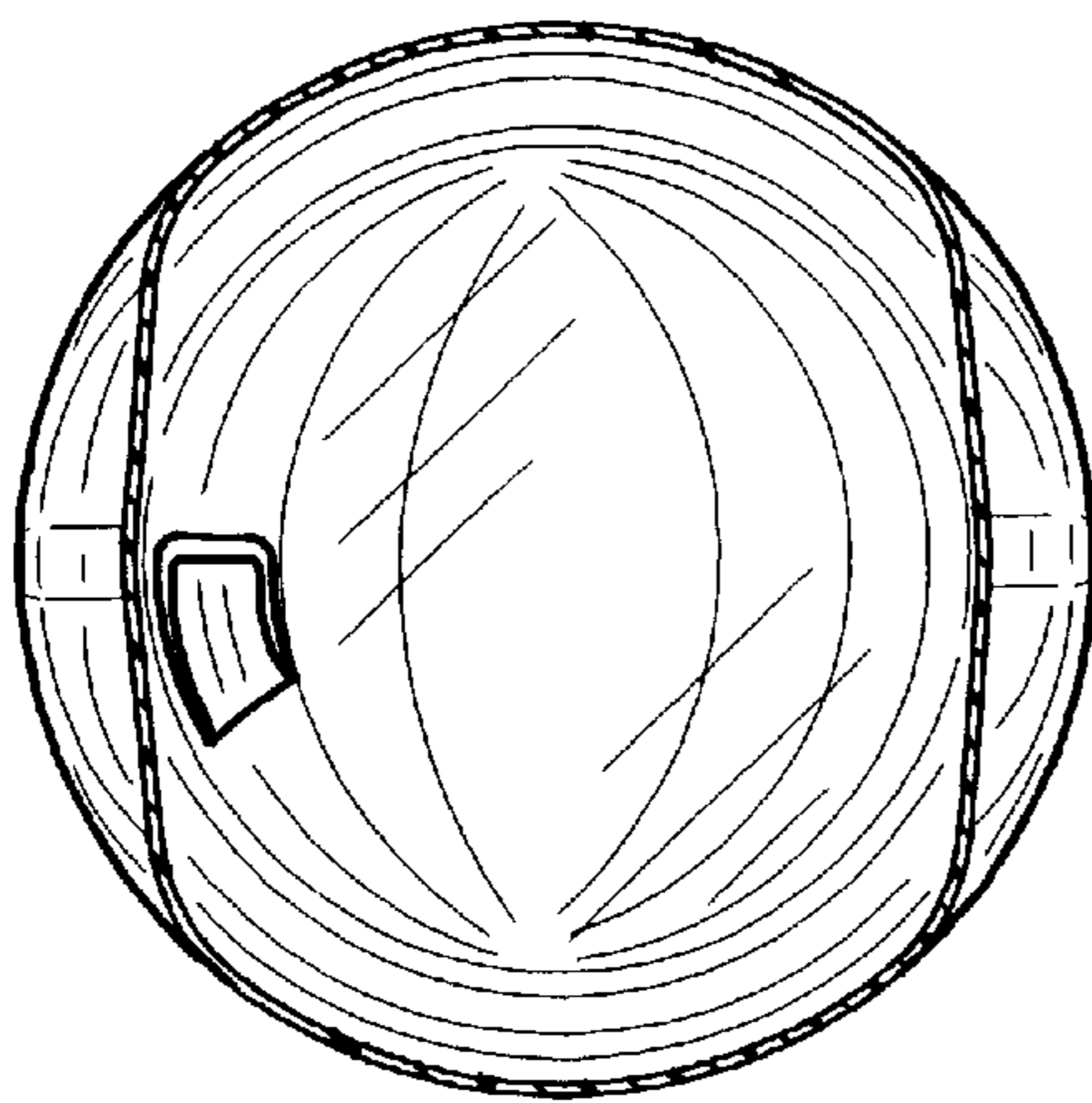


FIG. 6