



US00D423104S

# United States Patent [19]

Pachal et al.

[11] **Patent Number: Des. 423,104**

[45] **Date of Patent: \*\* Apr. 18, 2000**

[54] **BIOPSY TABLE**

[76] Inventors: **Murray Pachal**, 9 Dinniss Avenue, Whangarei; **Craig Thompson**, 90 Scott Road, Tamatarau, both of Northland, New Zealand

[\*\*] Term: **14 Years**

[21] Appl. No.: **29/088,159**

[22] Filed: **May 15, 1998**

(Under 37 CFR 1.47)

### [30] Foreign Application Priority Data

Nov. 17, 1997 [NZ] New Zealand ..... 28955

[51] **LOC (6) Cl.** ..... **24-01**

[52] **U.S. Cl.** ..... **D24/183**

[58] **Field of Search** ..... D24/183; 5/600, 5/621, 625, 628, 81.1 R; D12/128

### [56] References Cited

#### U.S. PATENT DOCUMENTS

D. 42,179 2/1912 Schmidt ..... D24/183

D. 264,874 6/1982 Augustsson et al. .... D24/183  
D. 329,216 9/1992 Beeley et al. .... D12/128  
D. 334,982 4/1993 Riach ..... D24/183  
D. 392,741 3/1998 Blanchard et al. .... D24/183

*Primary Examiner*—Stella Reid

### [57] CLAIM

The ornamental design for biopsy table, as shown and described.

### DESCRIPTION

FIG. 1 is a perspective view of the biopsy table of the present invention;

FIG. 2 is a front view thereof;

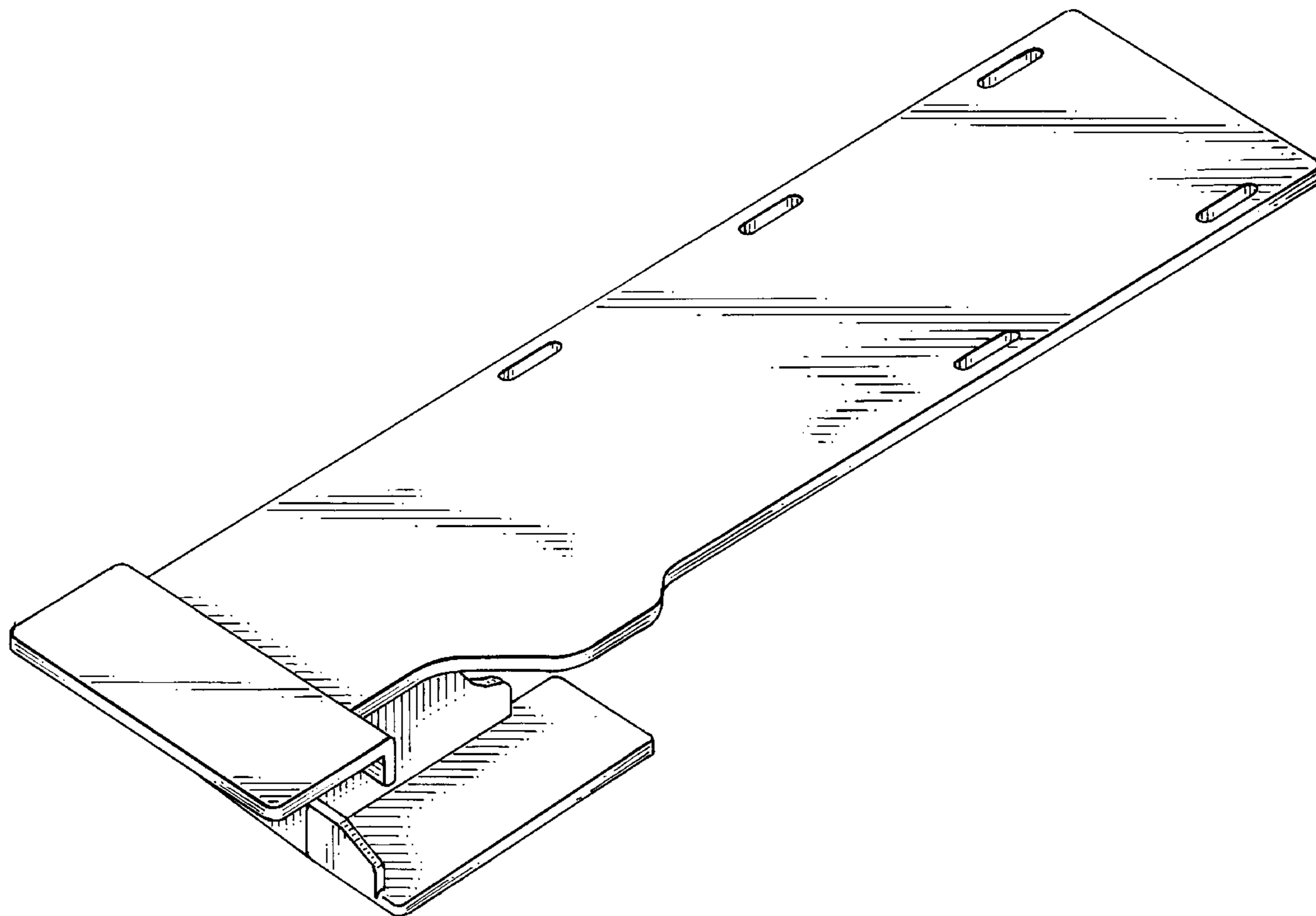
FIG. 3 is a rear view thereof;

FIG. 4 is a right side view thereof;

FIG. 5 is a left side view thereof; and,

FIG. 6 is a bottom view thereof.

**1 Claim, 3 Drawing Sheets**



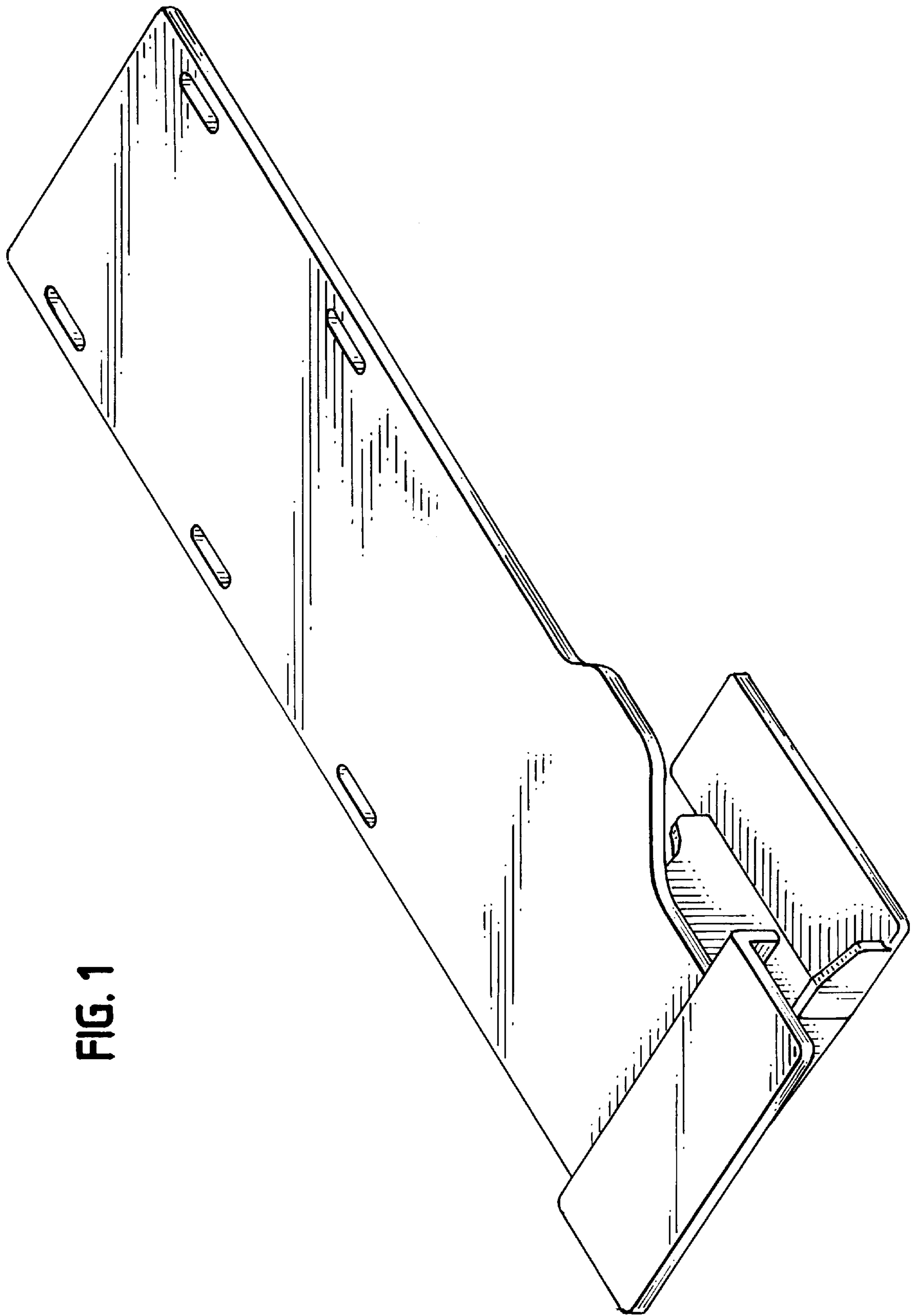


FIG. 1

FIG. 3

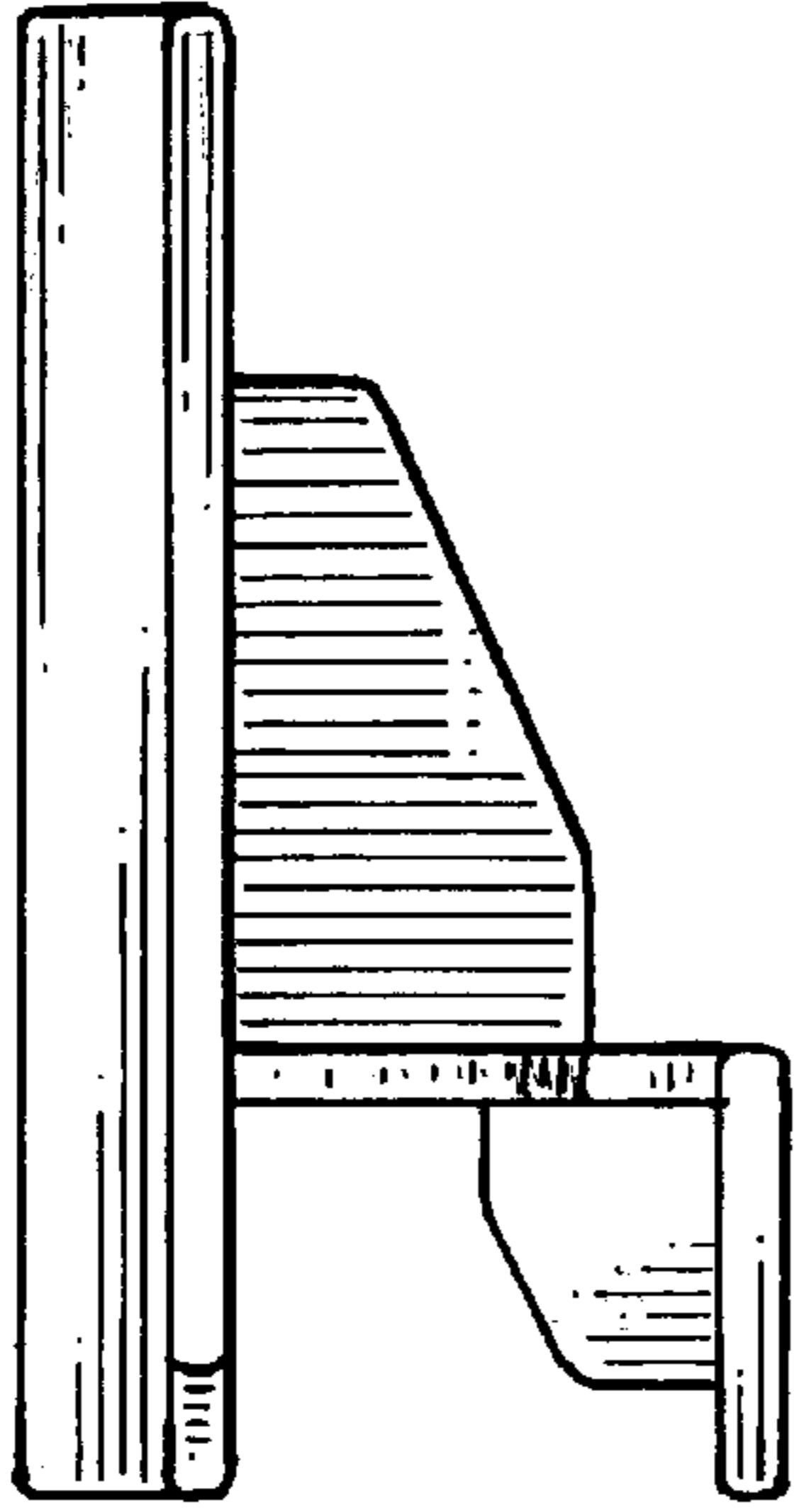


FIG. 2

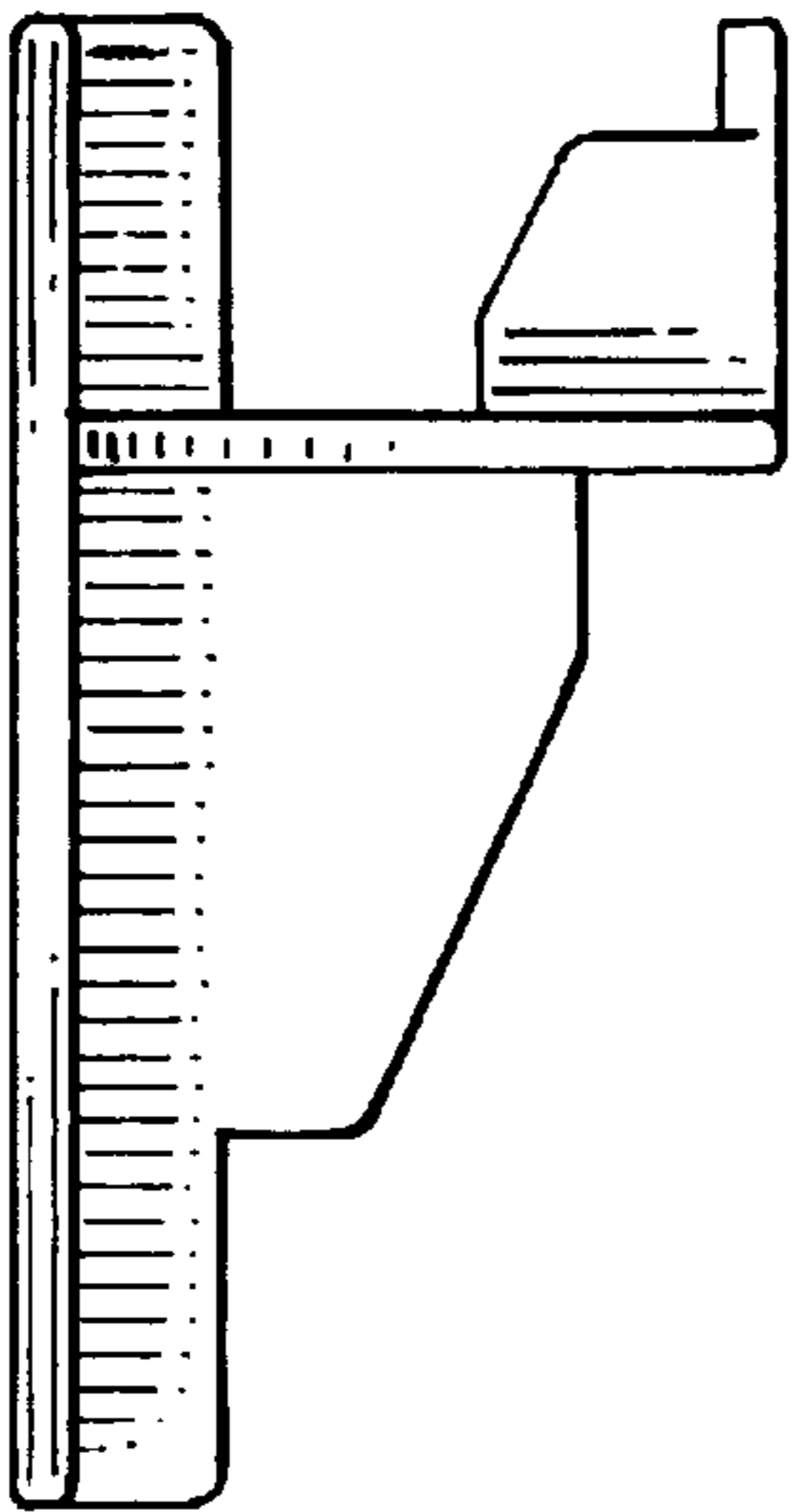


FIG. 4

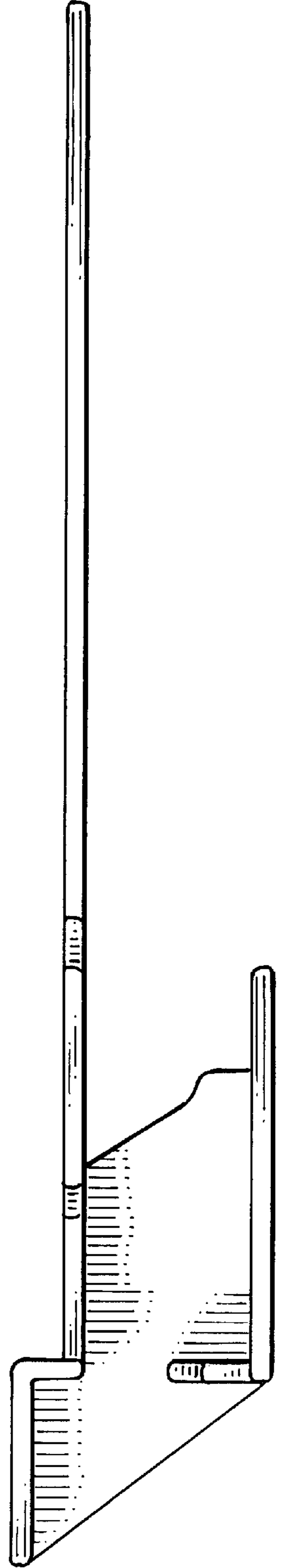


FIG. 5

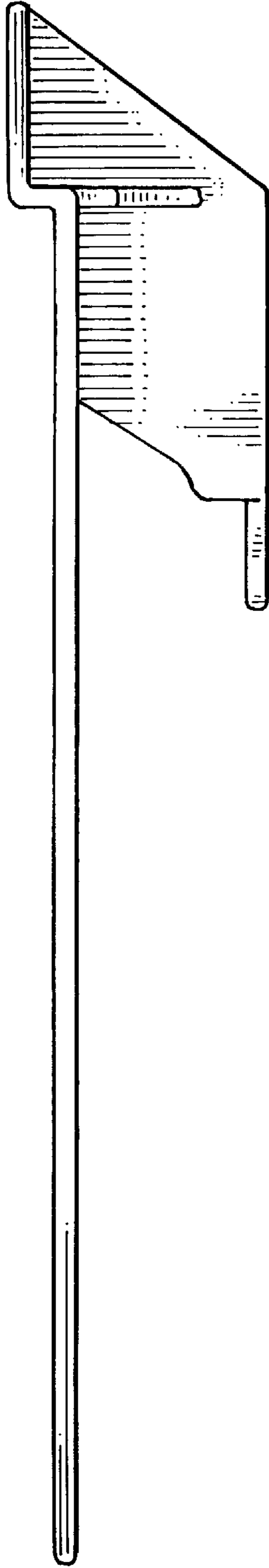


FIG. 6

