



US00D423094S

# United States Patent [19] Rodnell

[11] **Patent Number: Des. 423,094**

[45] **Date of Patent: \*\* Apr. 18, 2000**

[54] **CHILD SAFETY FAN COVER**

[76] Inventor: **Mary Rodnell**, 23-30 102nd St., East  
Elmhurst, N.Y. 11369

[\*\*] Term: **14 Years**

[21] Appl. No.: **29/096,154**

[22] Filed: **Nov. 5, 1998**

[51] **LOC (6) Cl.** ..... **23-04**

[52] **U.S. Cl.** ..... **D23/412; D2/867**

[58] **Field of Search** ..... D23/412, 370,  
D23/381, 335-337, 382, 328; D2/867; 2/174;  
416/247 R

[56] **References Cited**

**U.S. PATENT DOCUMENTS**

|            |         |             |       |           |
|------------|---------|-------------|-------|-----------|
| D. 348,835 | 7/1994  | Cogliandro  | ..... | 2/174     |
| 2,023,683  | 12/1935 | Horn et al. | ..... | 2/174     |
| 2,812,900  | 11/1957 | Matthews    | ..... | D23/412   |
| 3,138,801  | 6/1964  | Brodsky     | ..... | 2/174     |
| 3,262,638  | 7/1966  | Militello   | ..... | 416/247 R |
| 5,265,278  | 11/1993 | Watanabe    | ..... | 2/174     |

*Primary Examiner*—Lisa Lichtenstein

[57] **CLAIM**

The ornamental design for a child safety fan cover, as shown and described.

**DESCRIPTION**

FIG. 1 is a front elevational view of the child safety fan cover of the present invention;

FIG. 2 is a back elevational view of the child safety fan cover of FIG. 1;

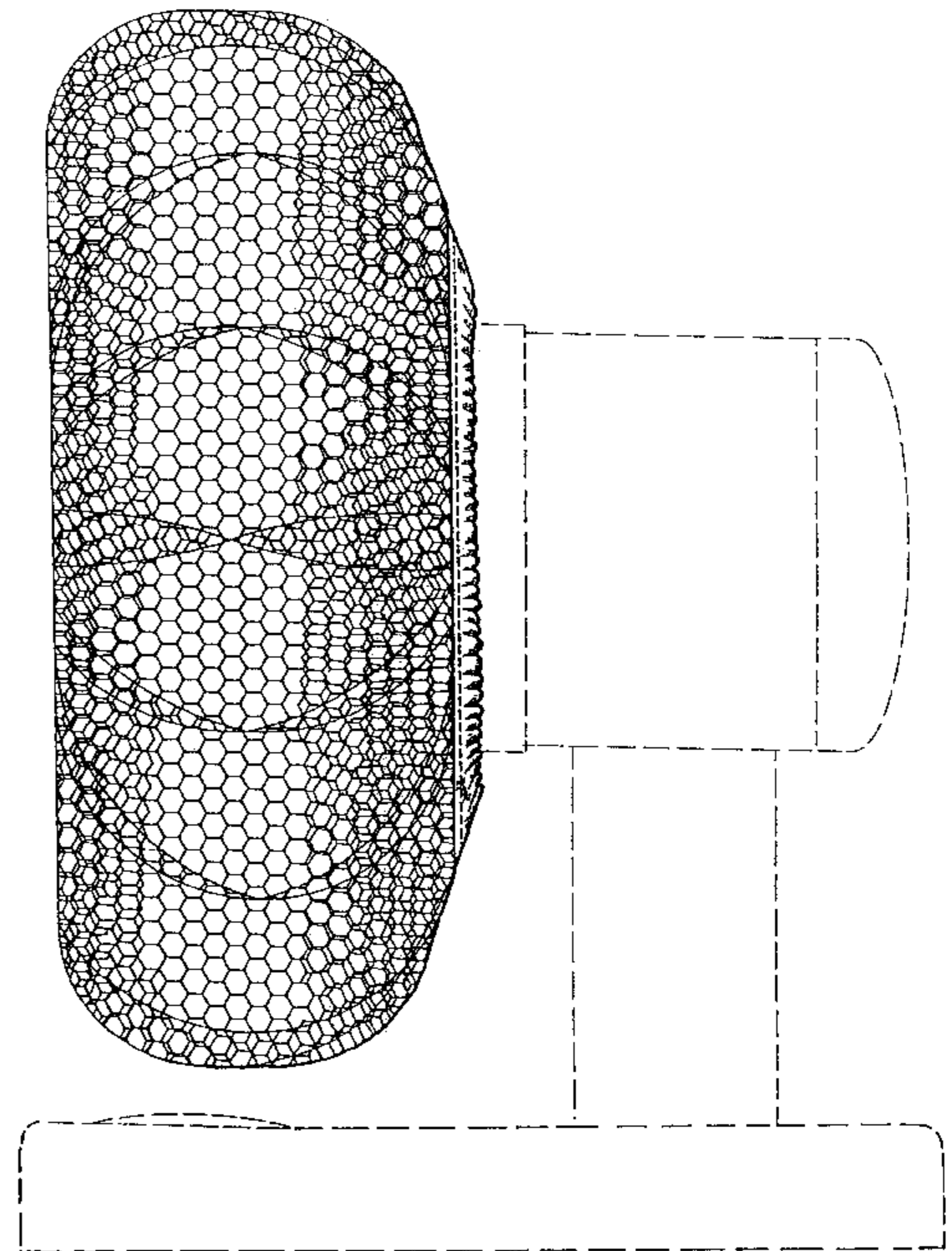
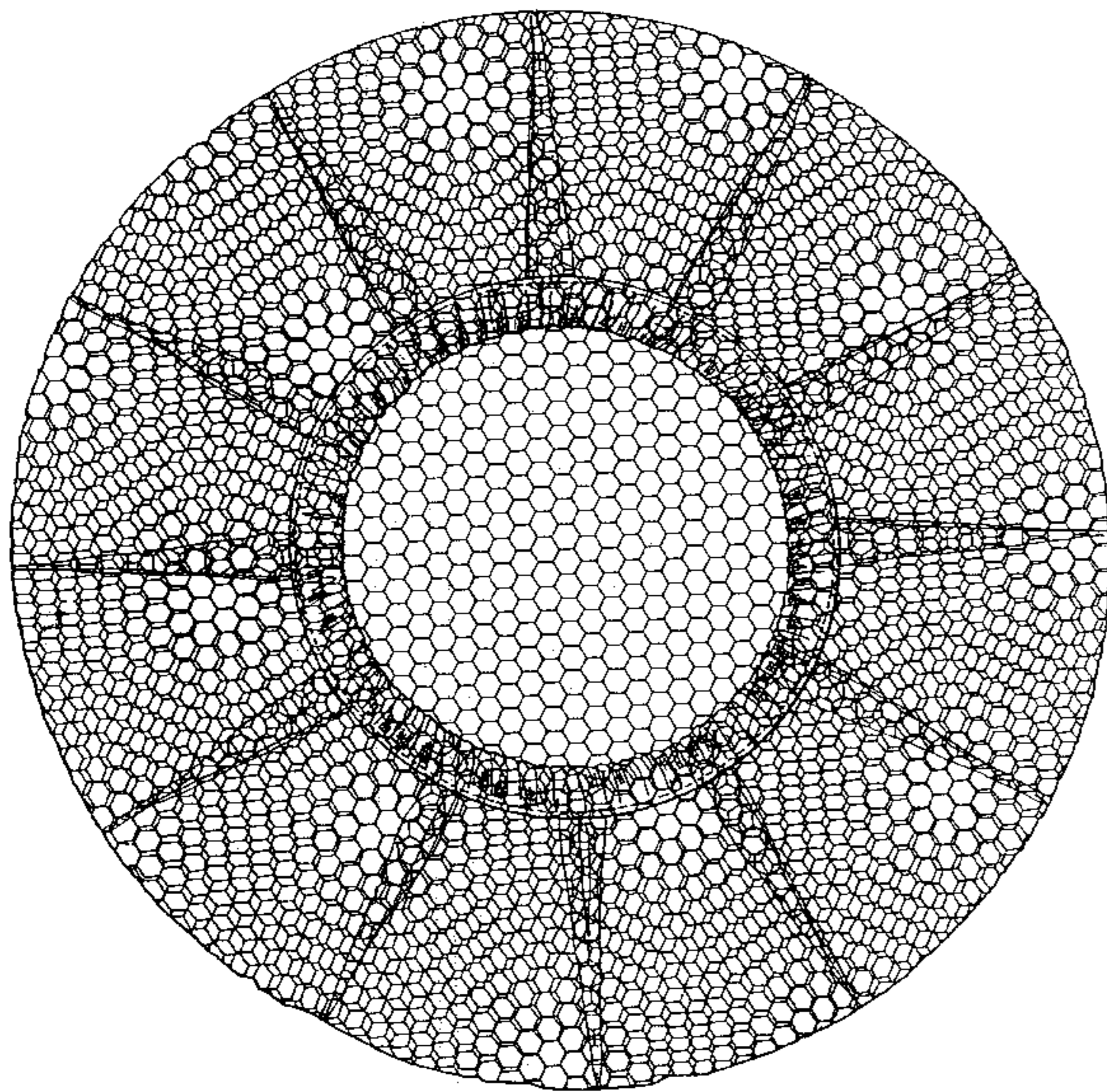
FIG. 3 is a left side elevational view of the child safety fan cover of FIG. 1, the right side elevational view being a mirror image thereof; and,

FIG. 4 is a top plan view of the child safety fan cover of FIG. 1, the bottom plan view a mirror image thereof.

The broken lines showing a fan in FIG. 3 are for illustrative purposes only and form no part of the claimed design.

The cross-hatching in FIGS. 1-4, represents fabric and is understood to extend uniformly throughout the areas represented. The broken lines in FIGS. 1-4 represent stitching.

**1 Claim, 4 Drawing Sheets**



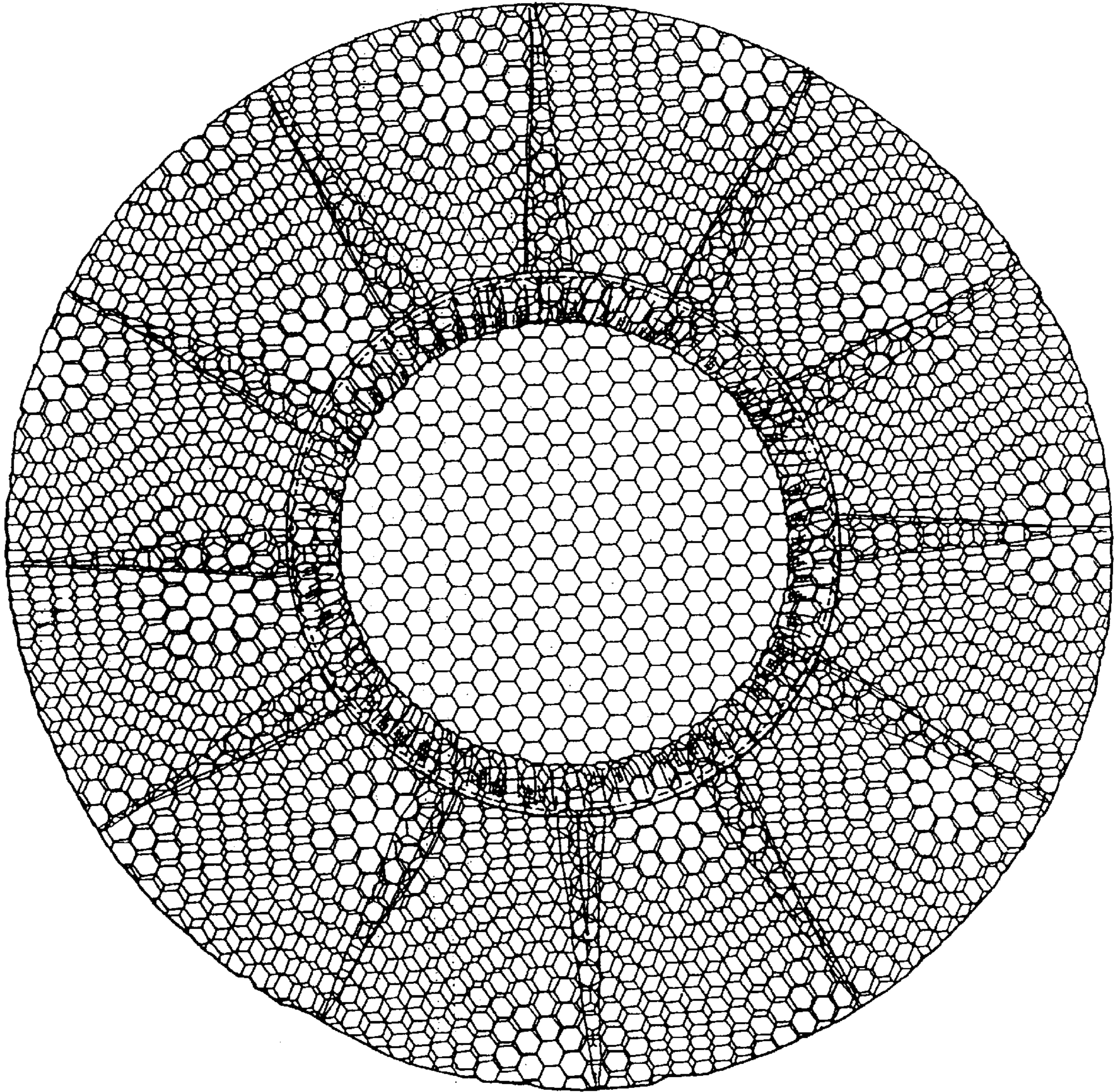


FIG. 1

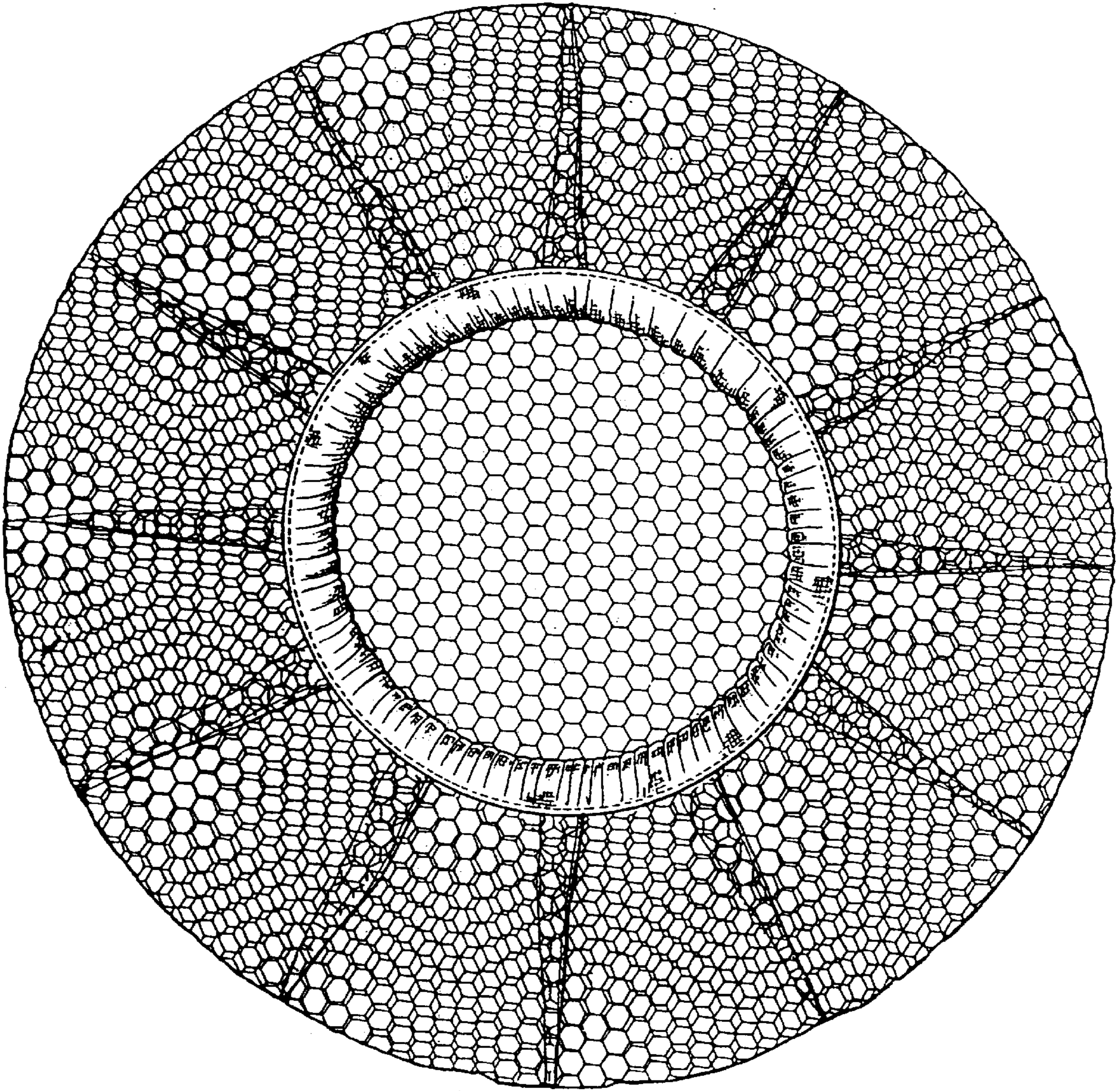


FIG. 2

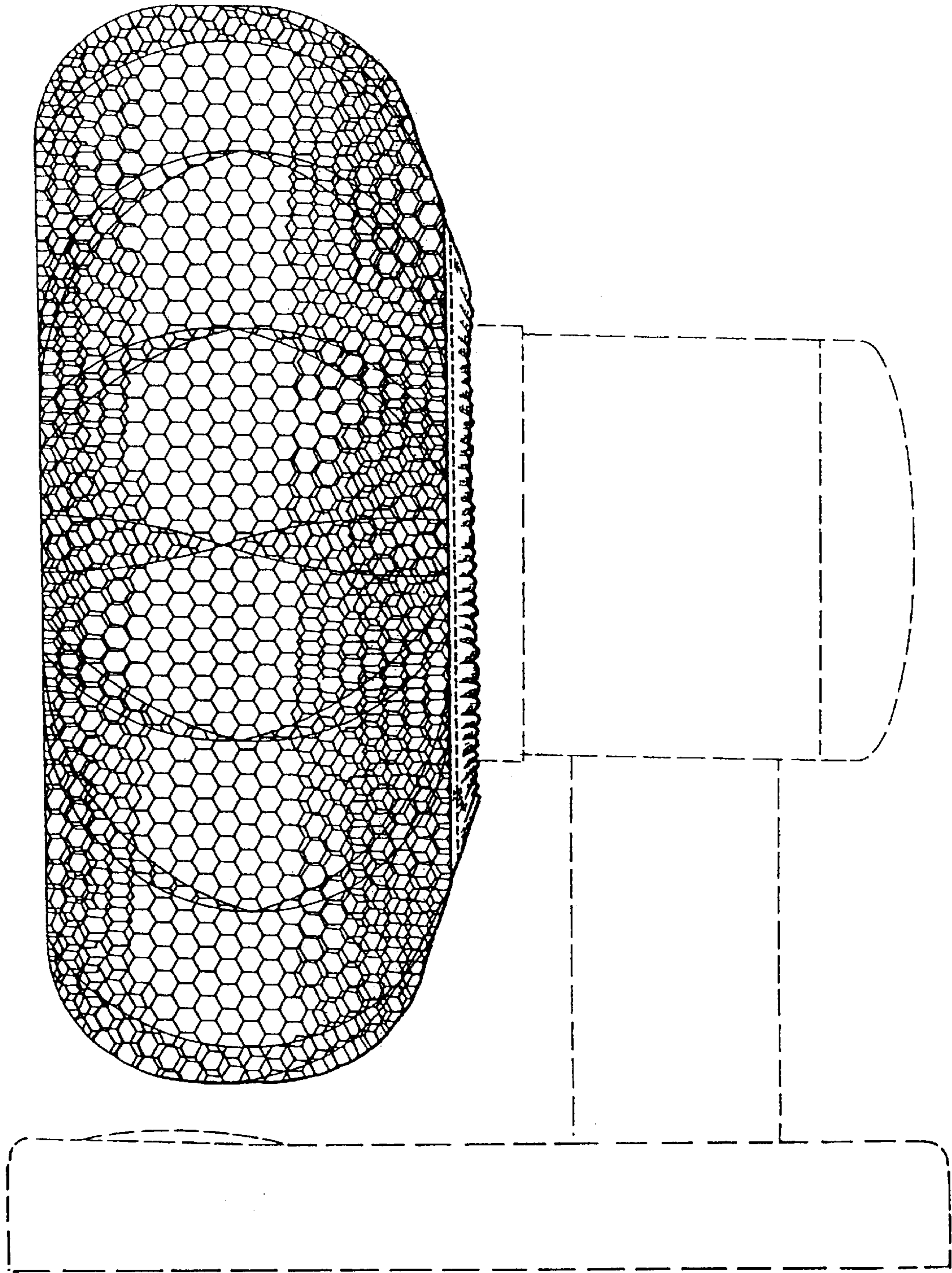


FIG. 3

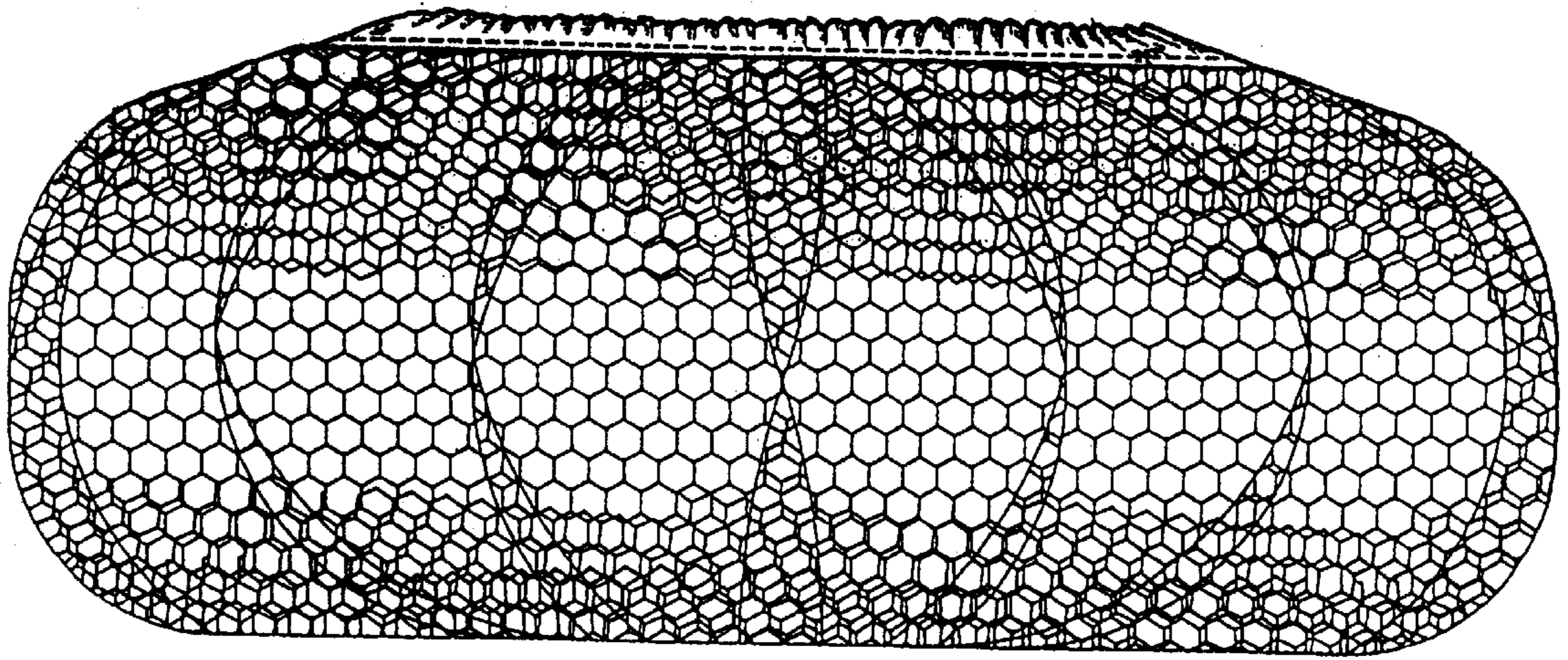


FIG. 4