



US00D423092S

# United States Patent [19]

LaSpina et al.

[11] Patent Number: Des. 423,092

[45] Date of Patent: \*\* Apr. 18, 2000

[54] CEILING FAN

[75] Inventors: Alfred J. LaSpina, Methuen, Mass.;  
Stephen M. Gatchell, Warwick, R.I.

[73] Assignee: Honeywell Inc., Minneapolis, Minn.

[\*\*] Term: 14 Years

[21] Appl. No.: 29/090,740

[22] Filed: Jul. 15, 1998

### Related U.S. Application Data

[63] Continuation-in-part of application No. 29/086,976, Apr. 23, 1998.

[51] LOC (6) Cl. .... 23-04

[52] U.S. Cl. .... D23/377

[58] Field of Search ..... D23/377, 379,  
D23/385, 411, 413; 392/364; 416/5

### [56] References Cited

#### U.S. PATENT DOCUMENTS

D. 256,614	8/1980	Hoyt	.....	D23/377
D. 378,403	3/1997	Jaspers-Fayer	.....	D23/377
D. 392,734	3/1998	Pickett	.....	D23/411

### OTHER PUBLICATIONS

Sonica Fan Innovations Inc. Cat.; p 10, Ceiling Fan (B), top left side of page.

Primary Examiner—Lisa Lichtenstein  
Attorney, Agent, or Firm—Robert B. Leonard

### [57] CLAIM

The ornamental design for a ceiling fan, as shown and described.

### DESCRIPTION

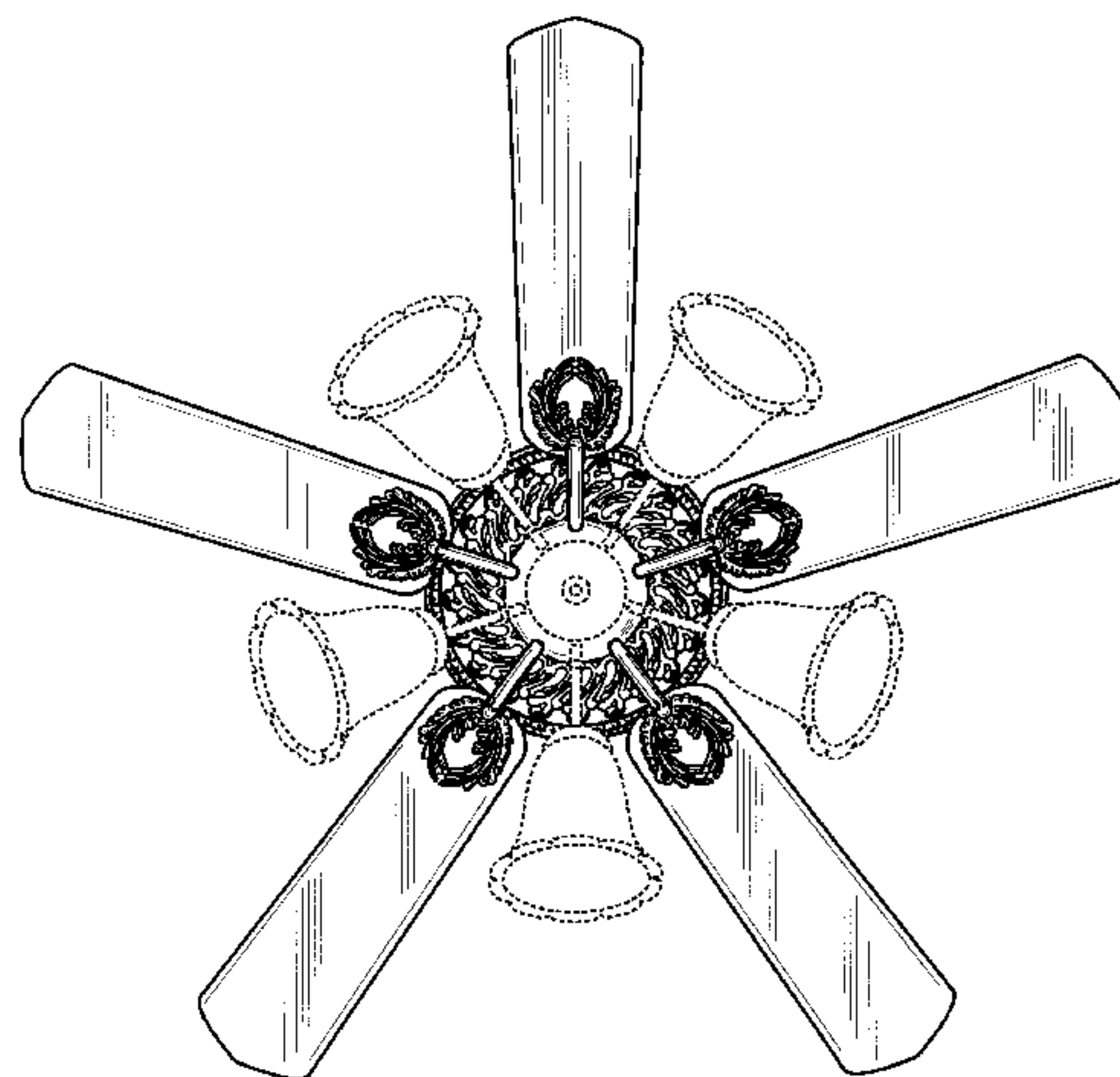
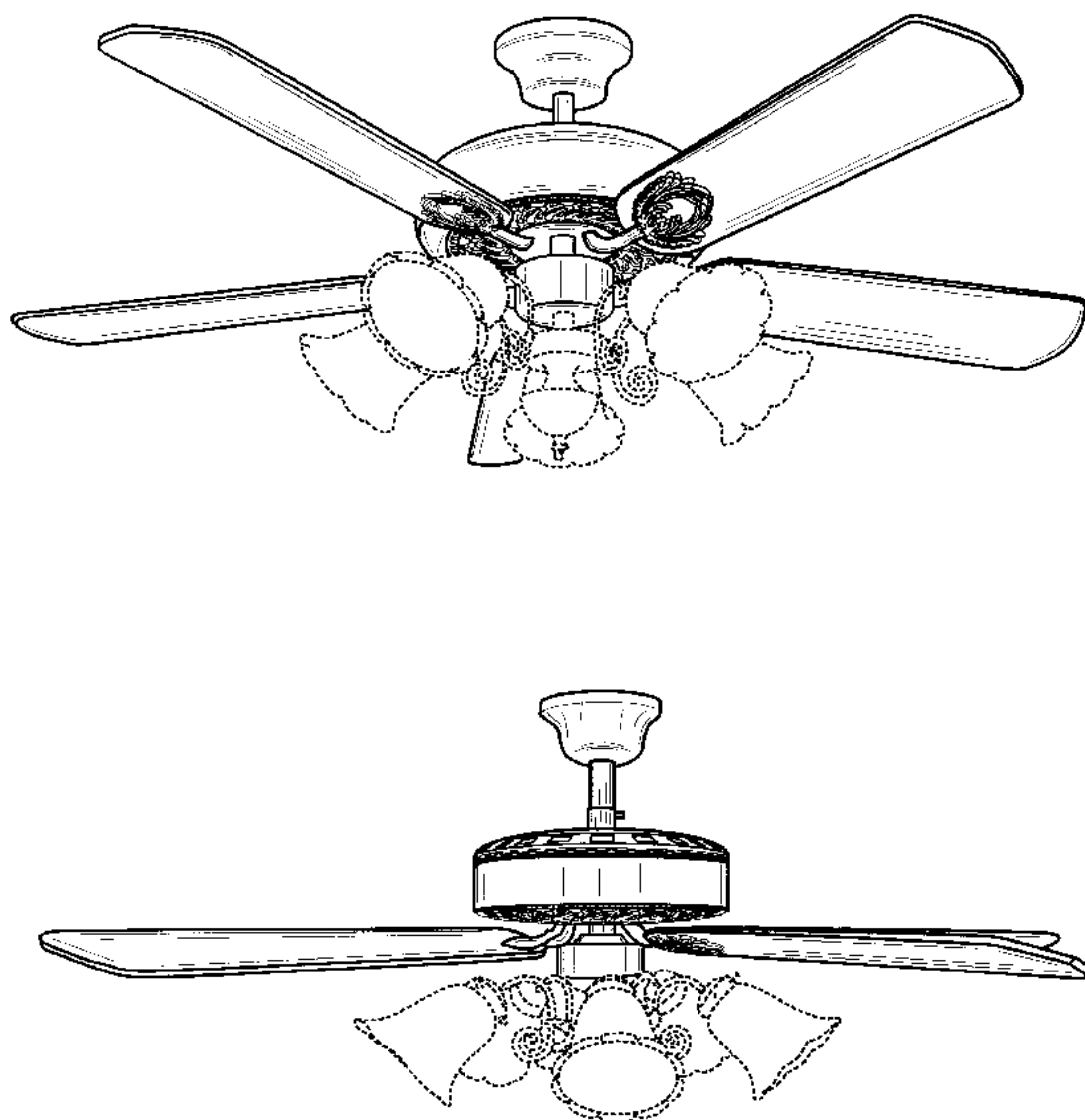
FIG. 1 is a perspective view of a ceiling fan showing our design, the broken lines showing light fixtures being for illustrative purposes only and forming no part of the claimed design.

FIG. 2 is a front elevational view of the ceiling fan shown in FIG. 1, the opposite and adjacent sides being substantially mirror images of the front elevational view.

FIG. 3 is a top plan view of the ceiling fan shown in FIG. 1; and,

FIG. 4 is a bottom plan view of the ceiling fan shown in FIG. 1.

1 Claim, 2 Drawing Sheets



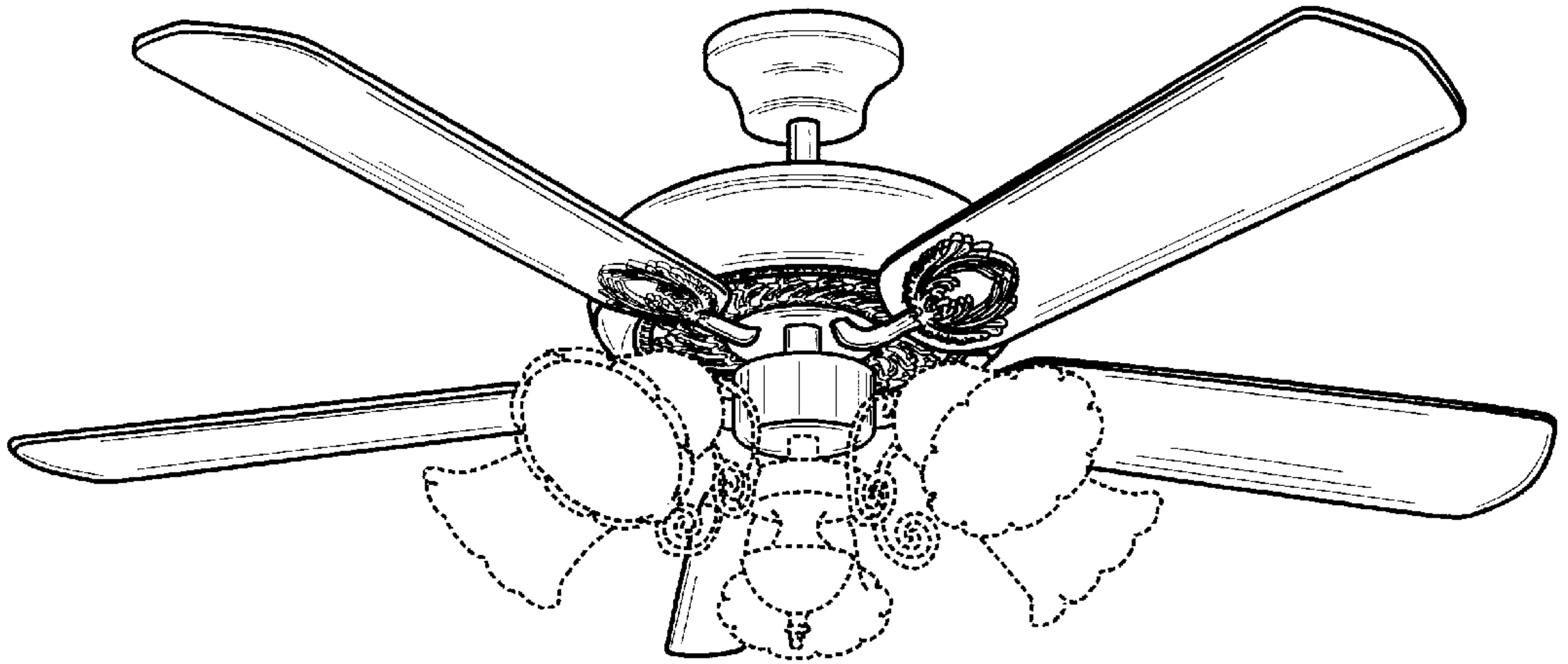


FIG. 1

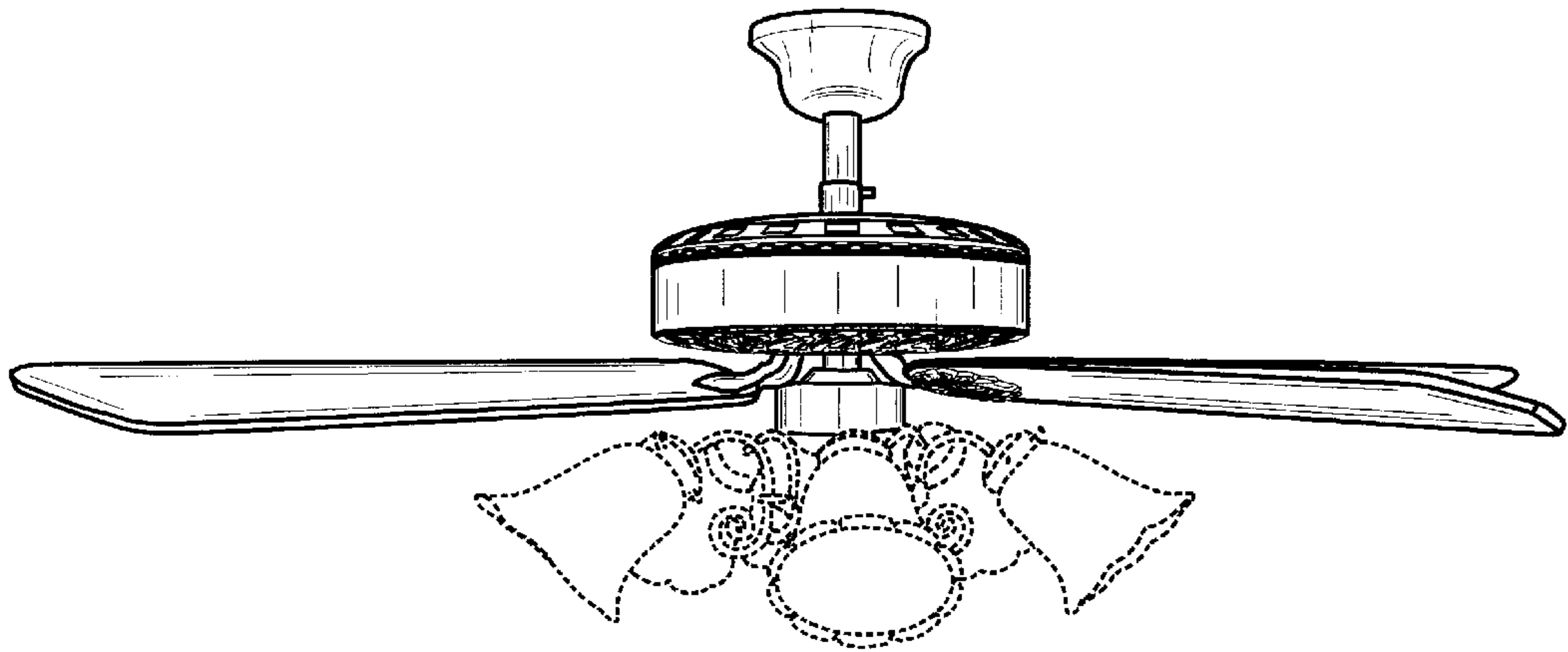


FIG. 2

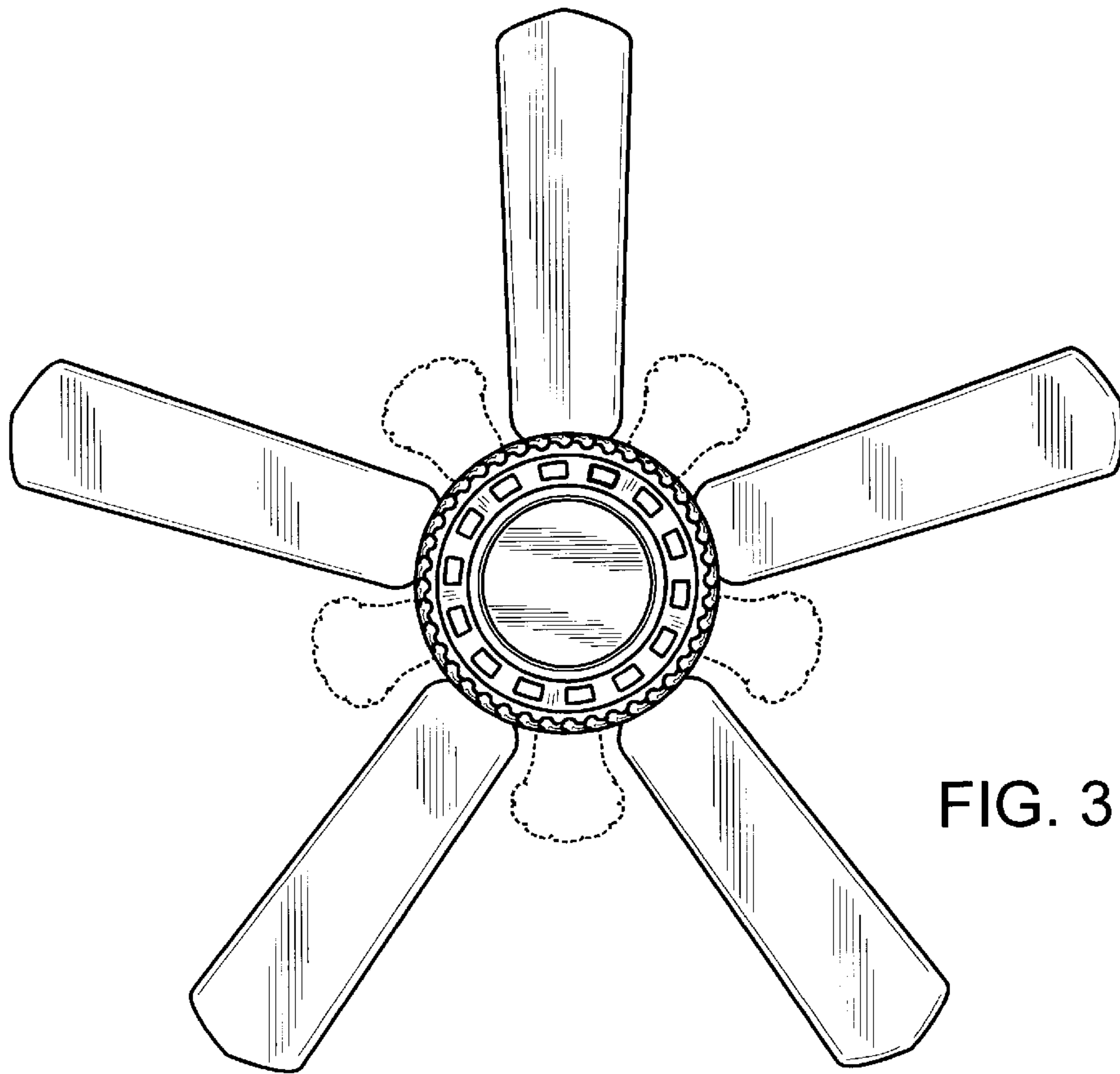


FIG. 3

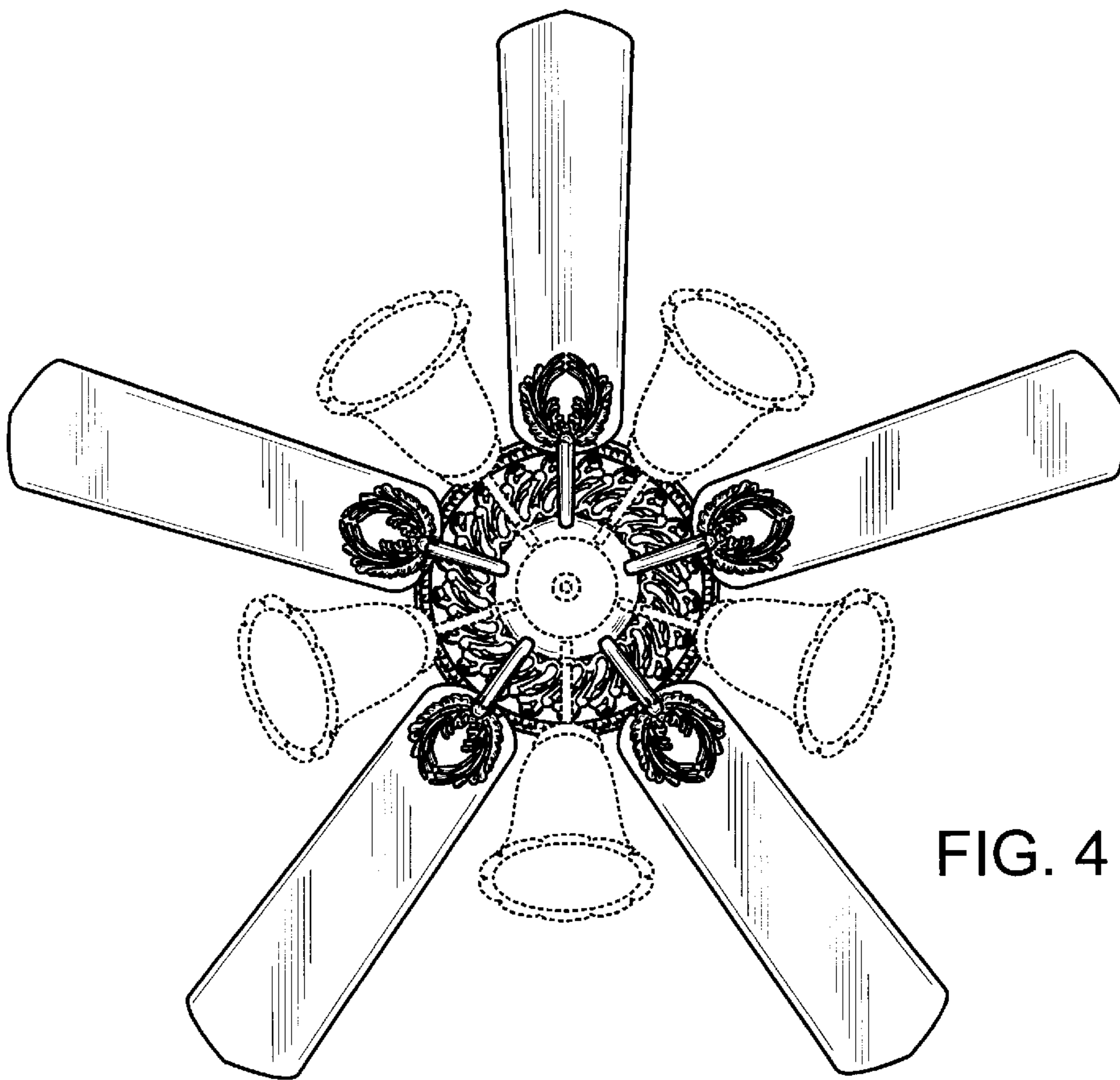


FIG. 4