



US00D423090S

United States Patent [19] Barbosa

[11] **Patent Number: Des. 423,090**

[45] **Date of Patent: ** Apr. 18, 2000**

[54] **PORTABLE ELECTRIC HEATER**

[75] Inventor: **Manuel Barbosa**, Gondomar, Portugal

[73] Assignee: **Honeywell Inc.**, Minneapolis, Minn.

[**] Term: **14 Years**

[21] Appl. No.: **29/103,343**

[22] Filed: **Apr. 13, 1999**

[51] **LOC (6) Cl.** **23-03**

[52] **U.S. Cl.** **D23/330; D23/332**

[58] **Field of Search** **D23/329, 330, D23/332, 335-9; 237/70, 71, 16, 17; 392/373-6, 365-9; 312/236**

[56] **References Cited**

U.S. PATENT DOCUMENTS

D. 341,654	11/1993	Wortham	D23/338
D. 359,344	6/1995	DeLonghi	D23/330
D. 397,193	8/1998	Boyle et al.	D23/330
2,439,945	4/1948	Morton	.	
2,521,173	9/1950	Koral	.	
2,723,338	11/1955	Antoni	.	
4,493,974	1/1985	Ganek et al.	219/341

OTHER PUBLICATIONS

1997 promotional sheet for Duracraft Corp.'s Electric Radiator Heater, Model No. CZ-600.

Lakewood Brochure: Oil-Filled Radiator Heater, Model No. 7000/A (1993).

1997 promotional sheet for Duracraft Corp.'s Electric Radiator Heater, Model No. CZ-605.

Primary Examiner—B. J. Bullock

Attorney, Agent, or Firm—Robert B. Leonard

[57] **CLAIM**

The ornamental design for a portable electric heater, as shown.

DESCRIPTION

FIG. 1 is a perspective view of a heater showing my design.

FIG. 2 is a front elevational view of the heater described in FIG. 1.

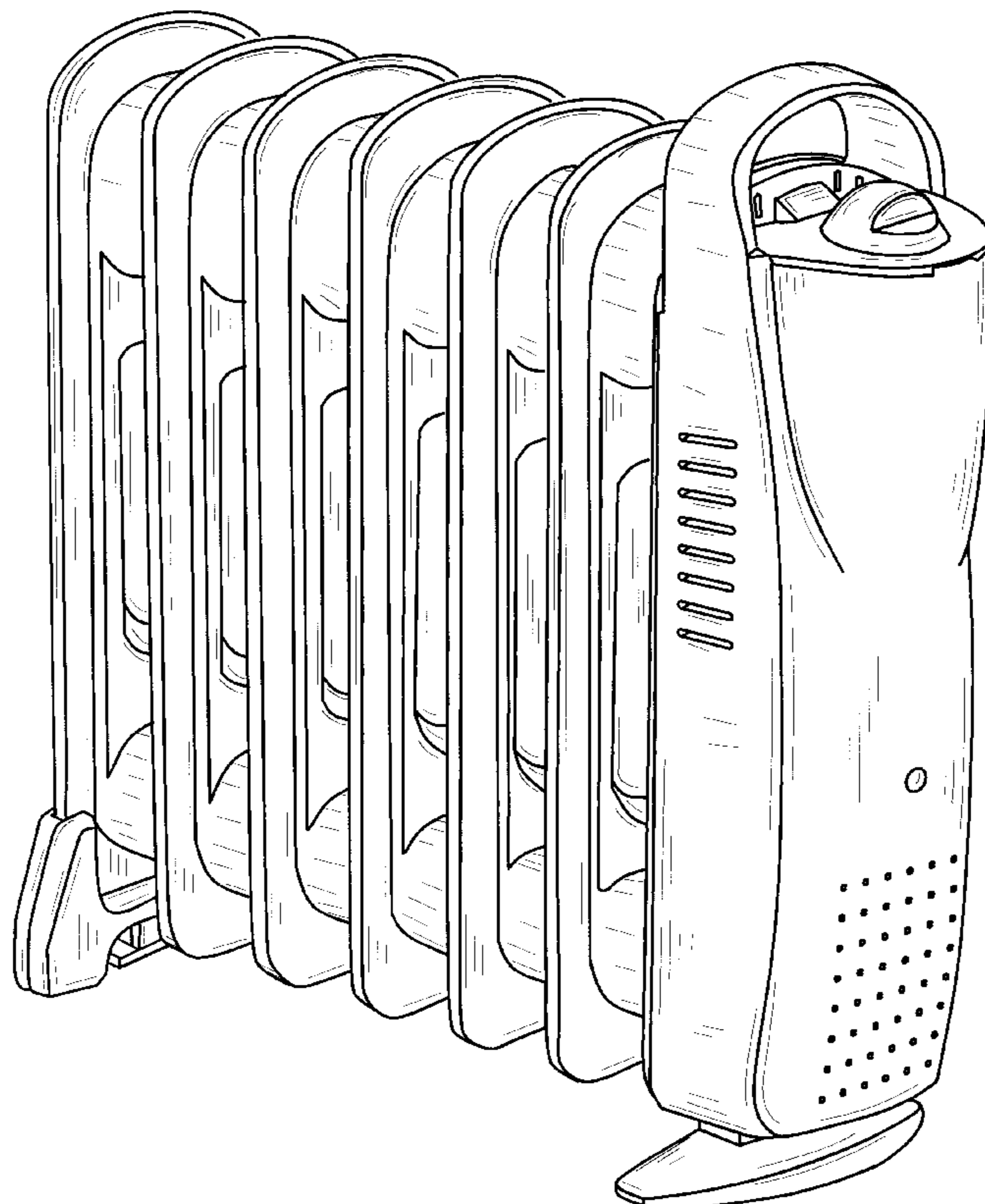
FIG. 3 is a rear elevational view of the heater described in FIG. 1.

FIG. 4 is a left side elevational view of the heater described in FIG. 1, the right side being a mirror image of the left side.

FIG. 5 is a top plan view of the heater described in FIG. 1; and,

FIG. 6 is a bottom plan view of the heater described in FIG. 1.

1 Claim, 4 Drawing Sheets



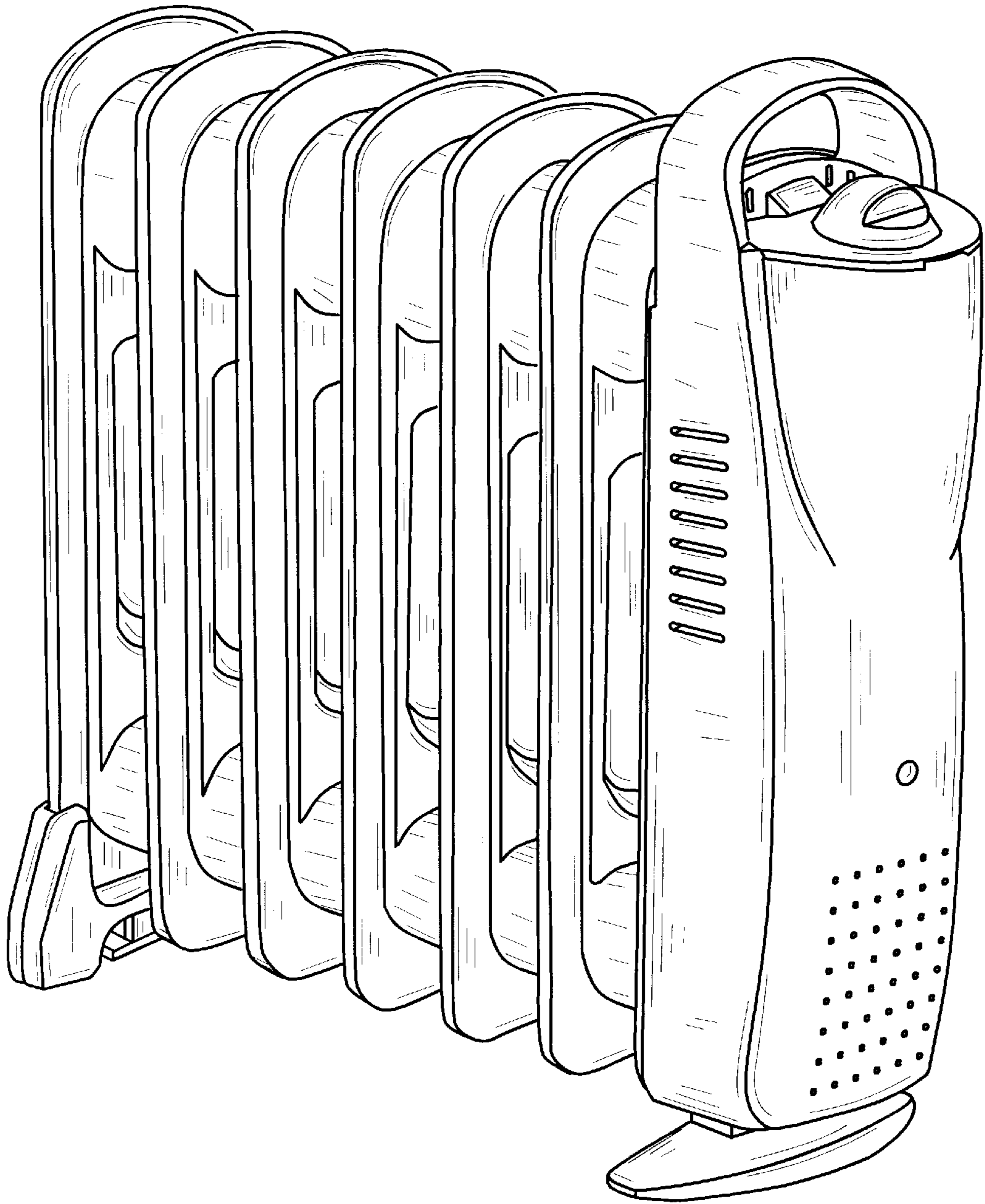


FIG. 1

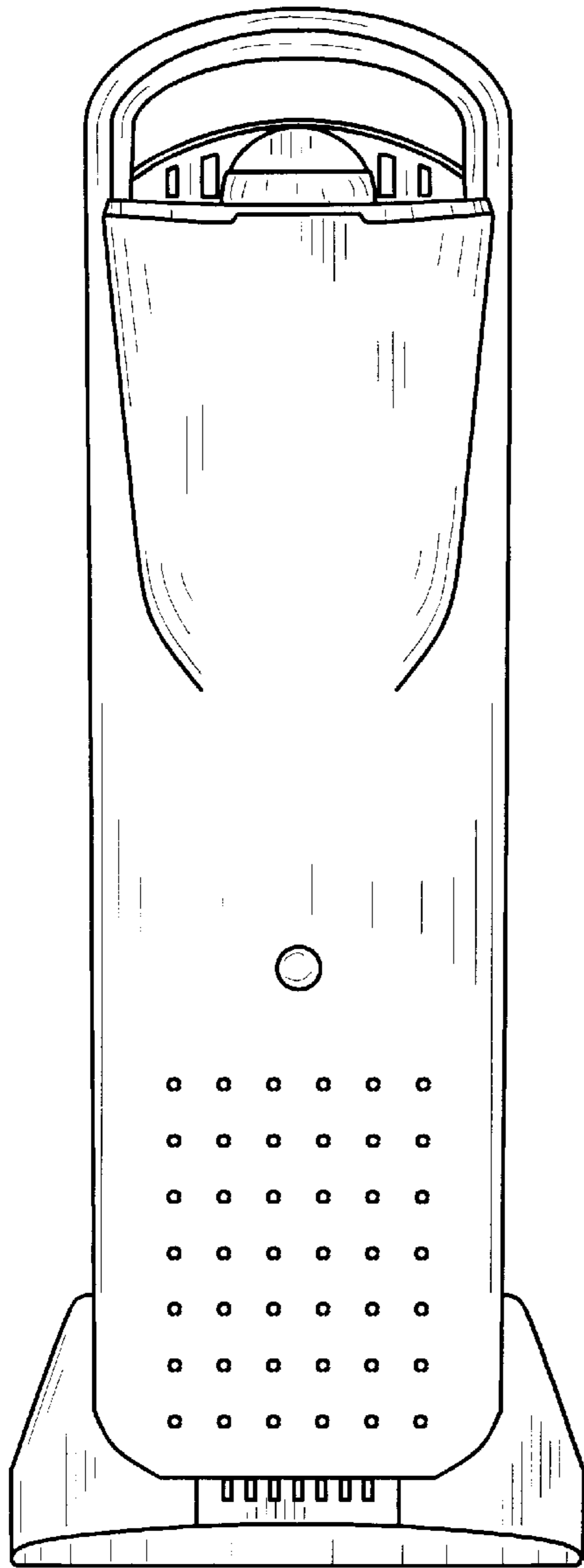


FIG. 2

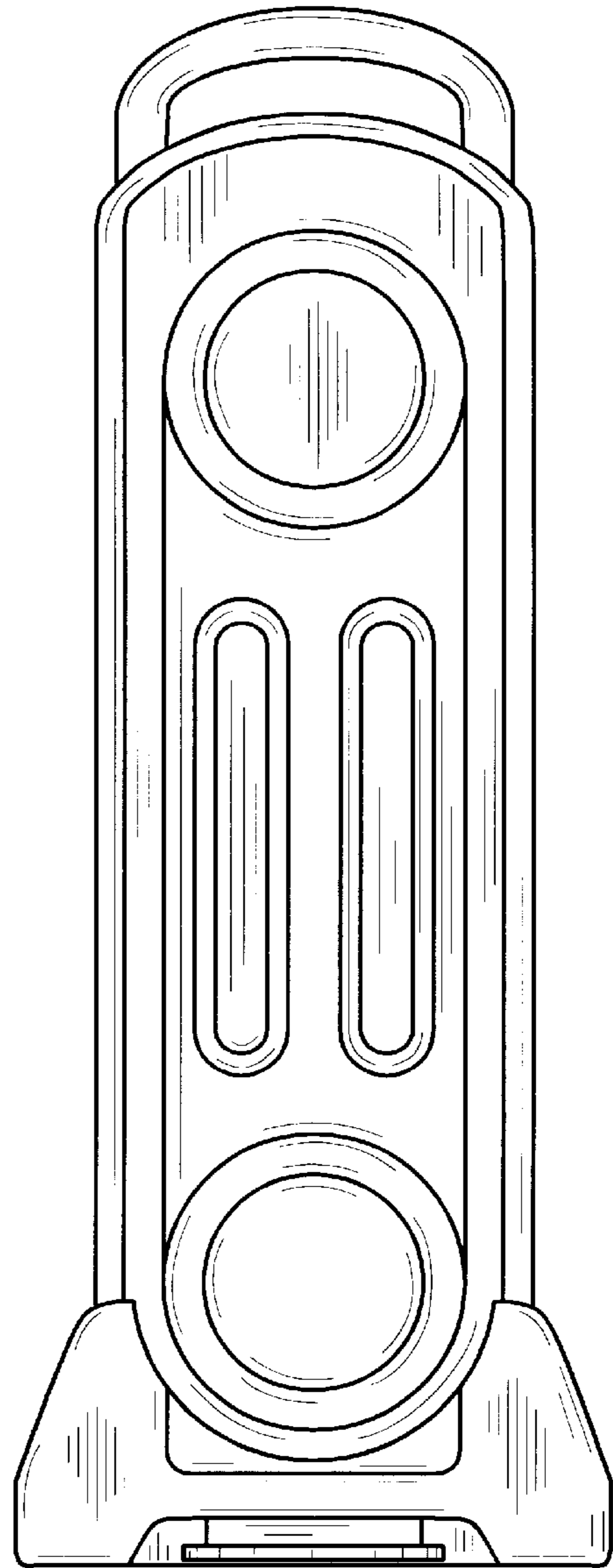


FIG. 3

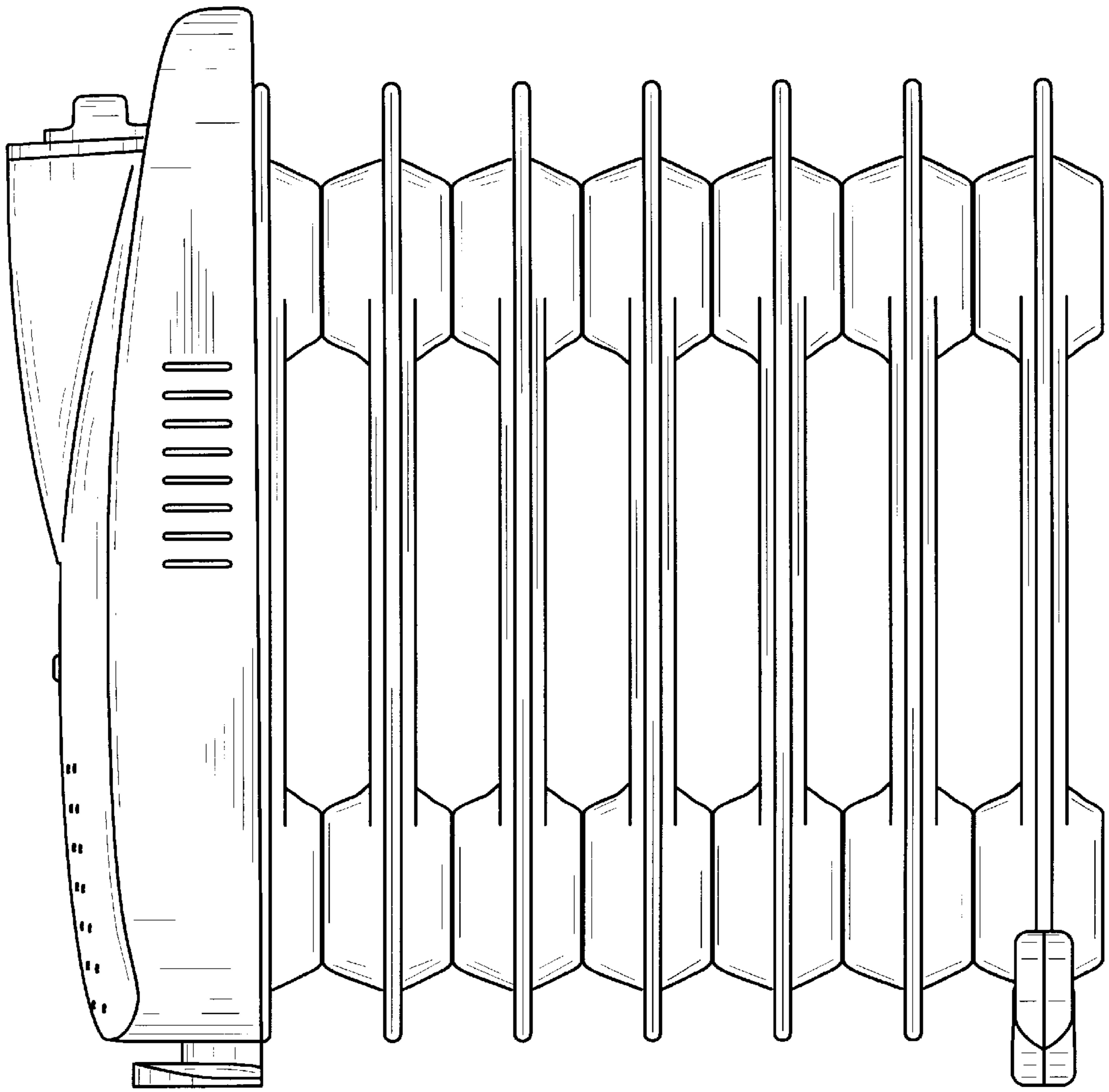


FIG. 4

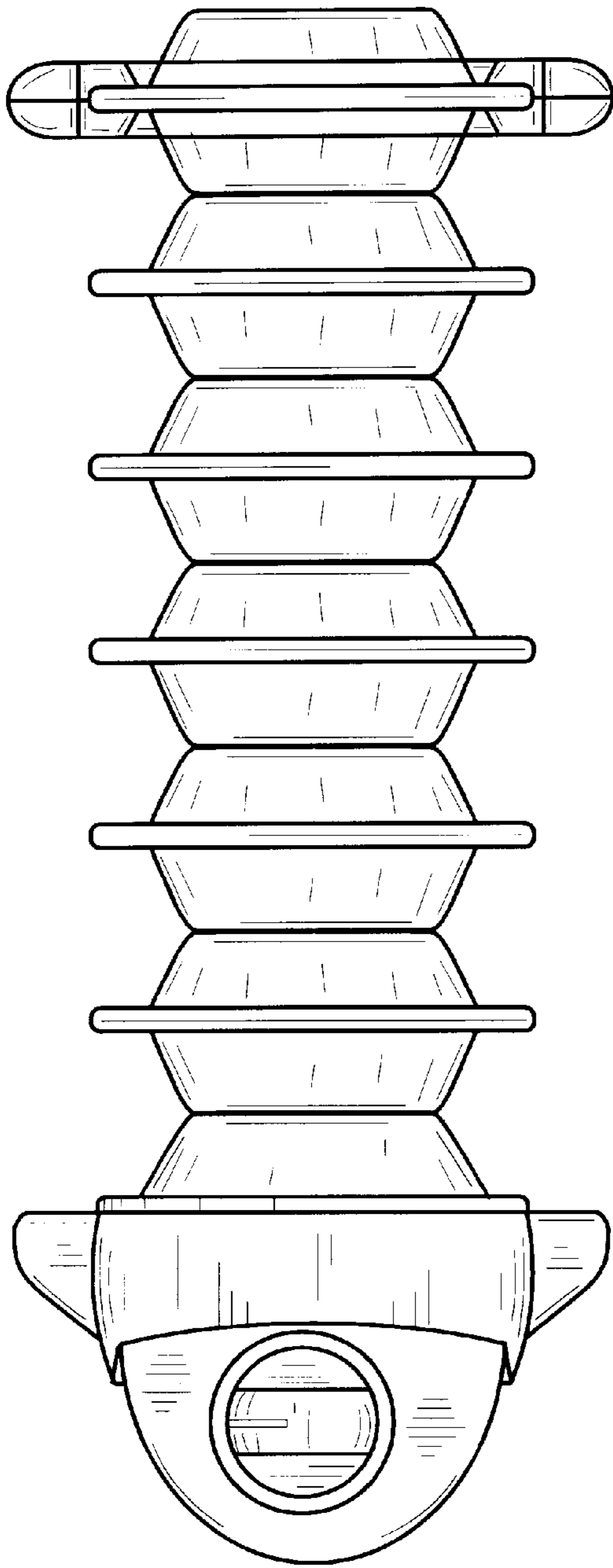


FIG. 5

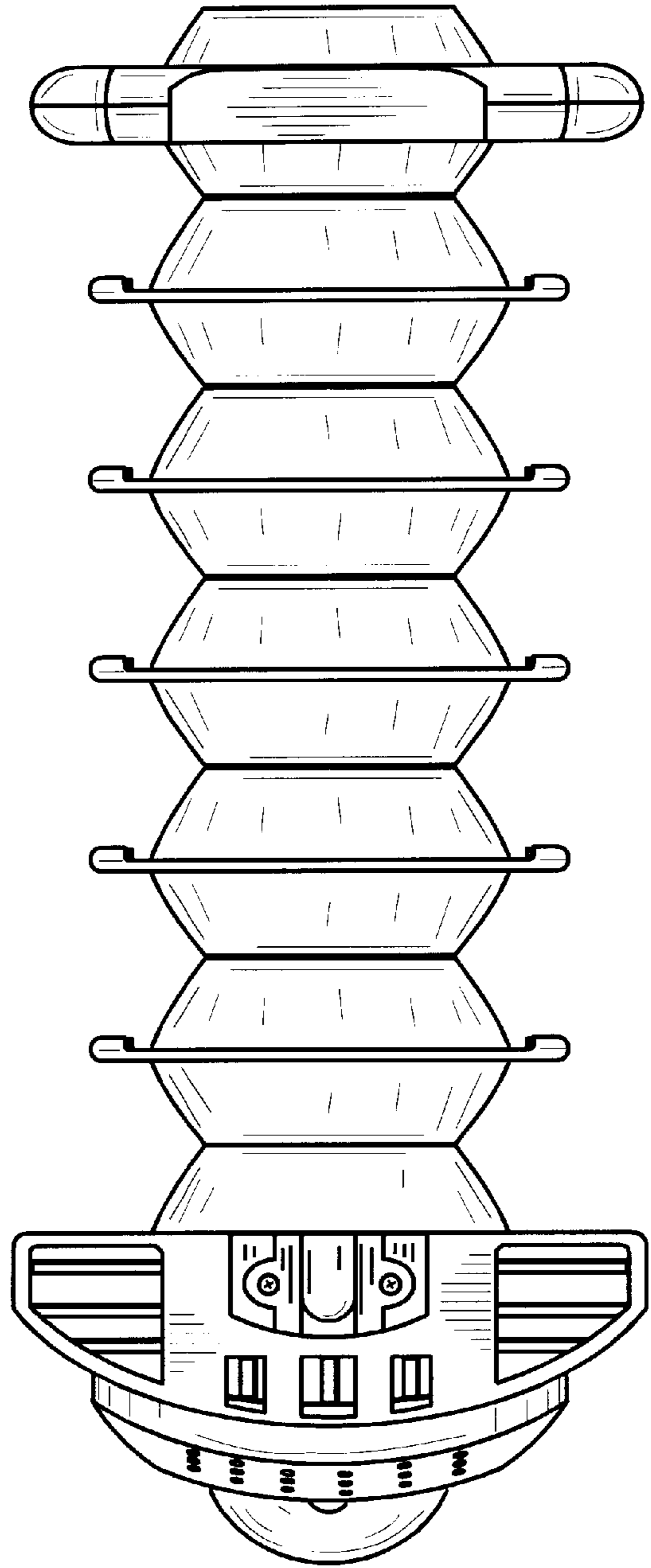


FIG. 6