



US00D423089S

United States Patent [19]

[11] Patent Number: **Des. 423,089**

Huerta et al.

[45] Date of Patent: **** Apr. 18, 2000**

[54] **TOILET SEAT LIFTER**

[76] Inventors: **Nicolas L Huerta; Tammy Huerta,**
both of P.O. Box 1542, Overton, Nev.
89040

[**] Term: **14 Years**

[21] Appl. No.: **29/110,911**

[22] Filed: **Sep. 16, 1999**

[51] **LOC (6) Cl.** **23-02**

[52] **U.S. Cl.** **D23/311**

[58] **Field of Search** D23/303-311;
D8/300, 307; 4/246.1-246.4, 661, 667,
246.5

[56] **References Cited**

U.S. PATENT DOCUMENTS

D. 287,616	1/1987	Marcomb	D23/311
D. 330,411	10/1992	Balke	.	
D. 332,304	1/1993	Lefebvre et al.	D23/311
D. 341,415	11/1993	Miller	D23/311
D. 384,138	9/1997	Jowett	D23/311
D. 387,141	12/1997	Salas	D23/303
D. 405,169	2/1999	Swank, Sr.	D23/311
1,509,242	9/1924	Kuno	.	
1,511,533	10/1924	Staszak	4/246.5
1,792,811	2/1931	Bustin	.	

1,999,070	4/1935	Svedelius	4/246.5
2,136,684	11/1938	Greavu	4/246.5
2,155,548	4/1939	Hompesch	4/246.3
4,030,146	6/1977	Pilkington et al.	4/246.5
4,584,724	4/1986	Wilson	4/246.5
5,075,906	12/1991	Robbins	.	
5,103,506	4/1992	Munford et al.	.	
5,594,958	1/1997	Nguyen	.	

Primary Examiner—Eric Watterson

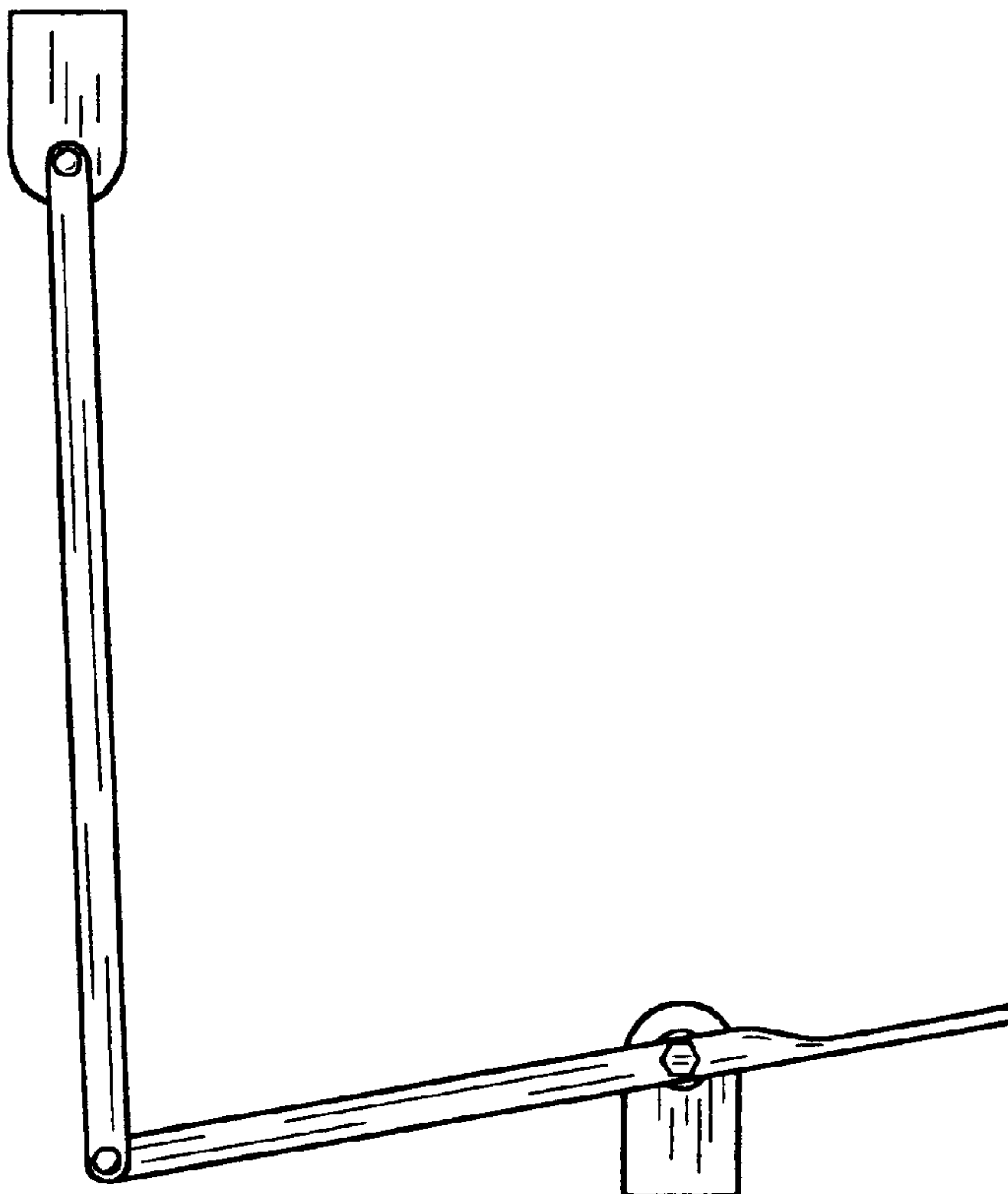
[57] **CLAIM**

The ornamental design for a toilet seat lifter, as shown and described.

DESCRIPTION

FIG. 1 is a left side elevational view of the toilet seat lifter of the present invention;
 FIG. 2 is a right side elevational view of the toilet seat lifter of FIG. 1;
 FIG. 3 is a rear elevational view of the toilet seat lifter of FIG. 1;
 FIG. 4 is a front elevational view of the toilet seat lifter of FIG. 1;
 FIG. 5 is a top plan view of the toilet seat lifter of FIG. 1;
 and,
 FIG. 6 is a bottom plan view of the toilet seat lifter of FIG. 1.

1 Claim, 1 Drawing Sheet



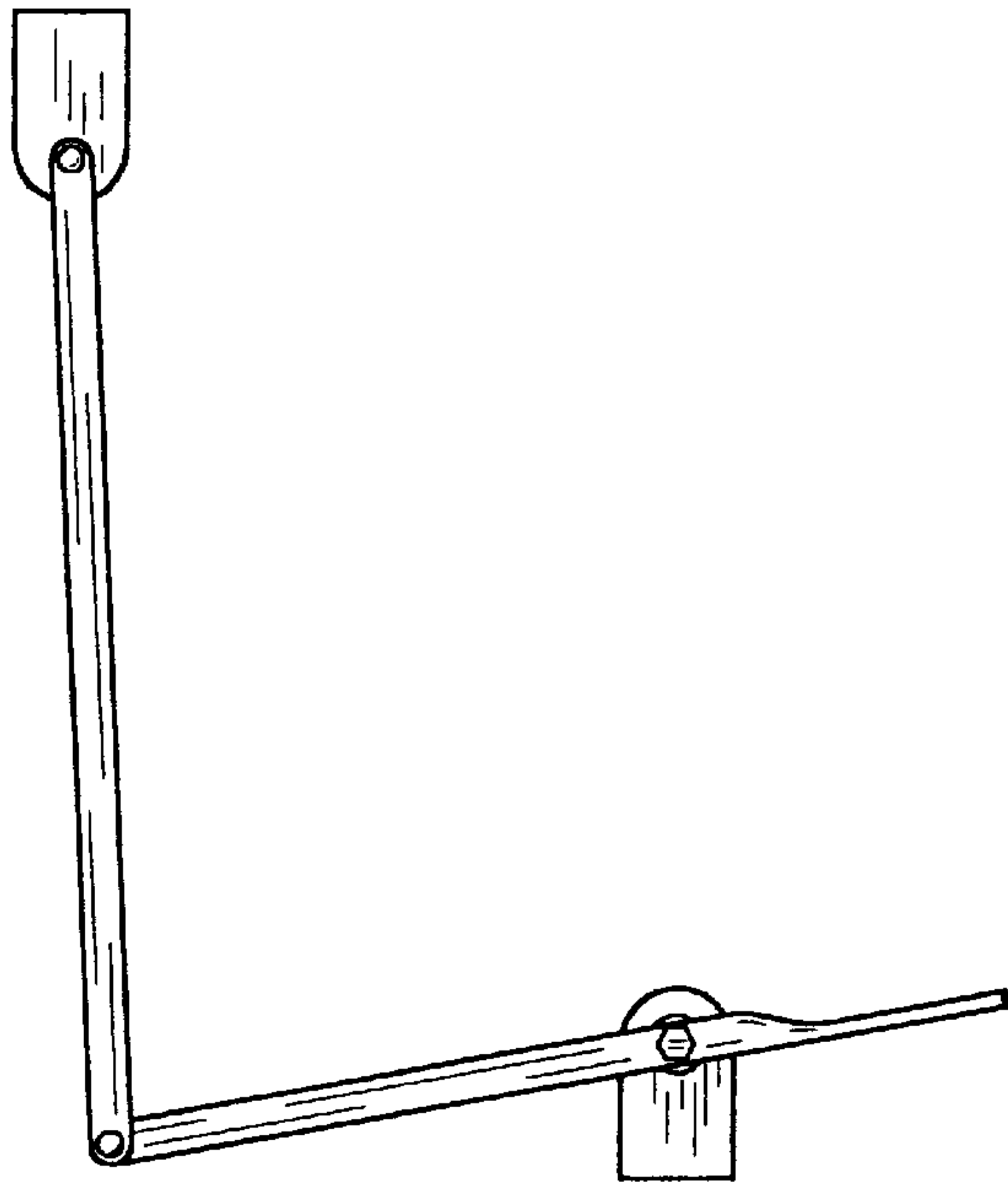


Fig. 1

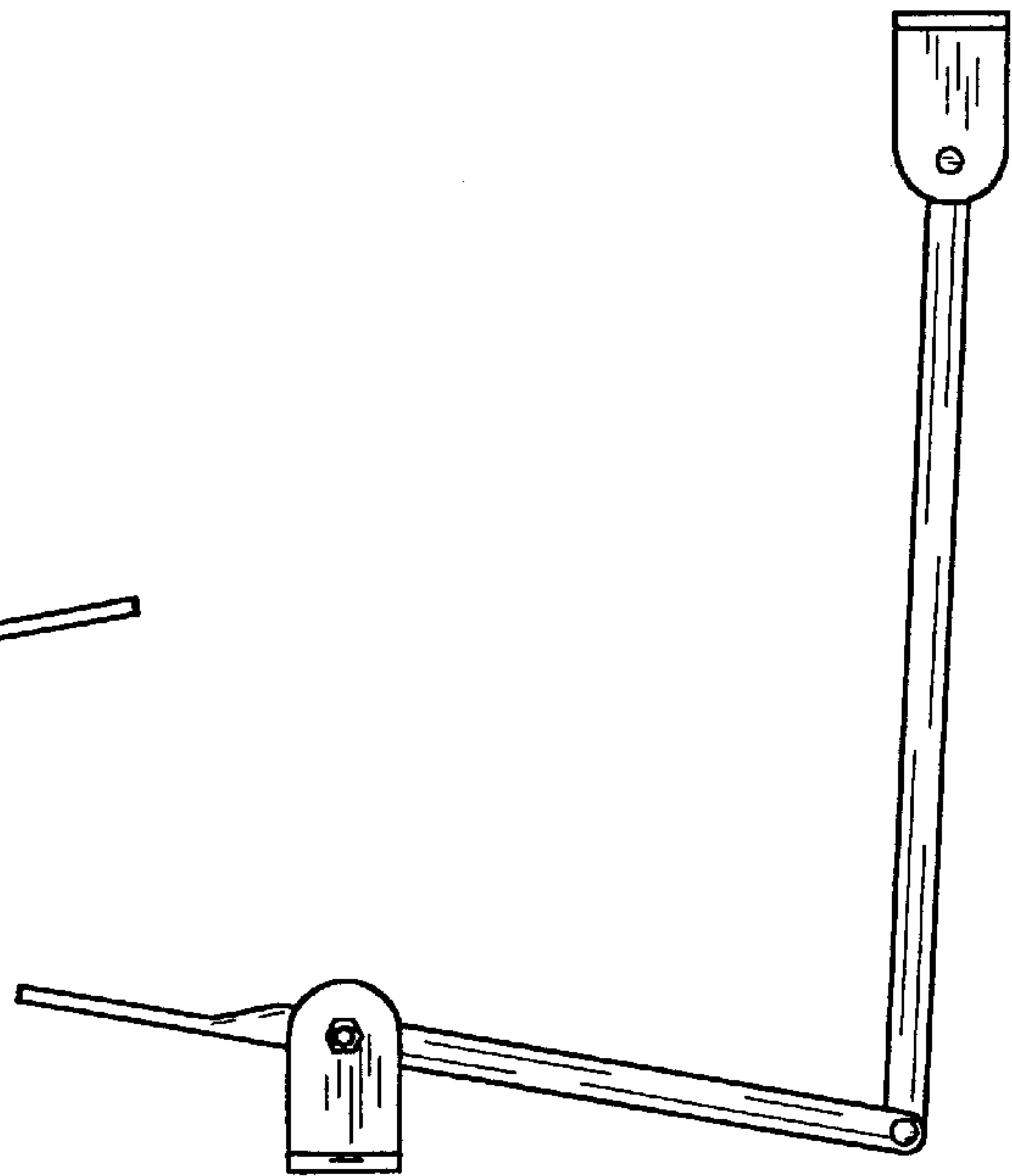


Fig. 2

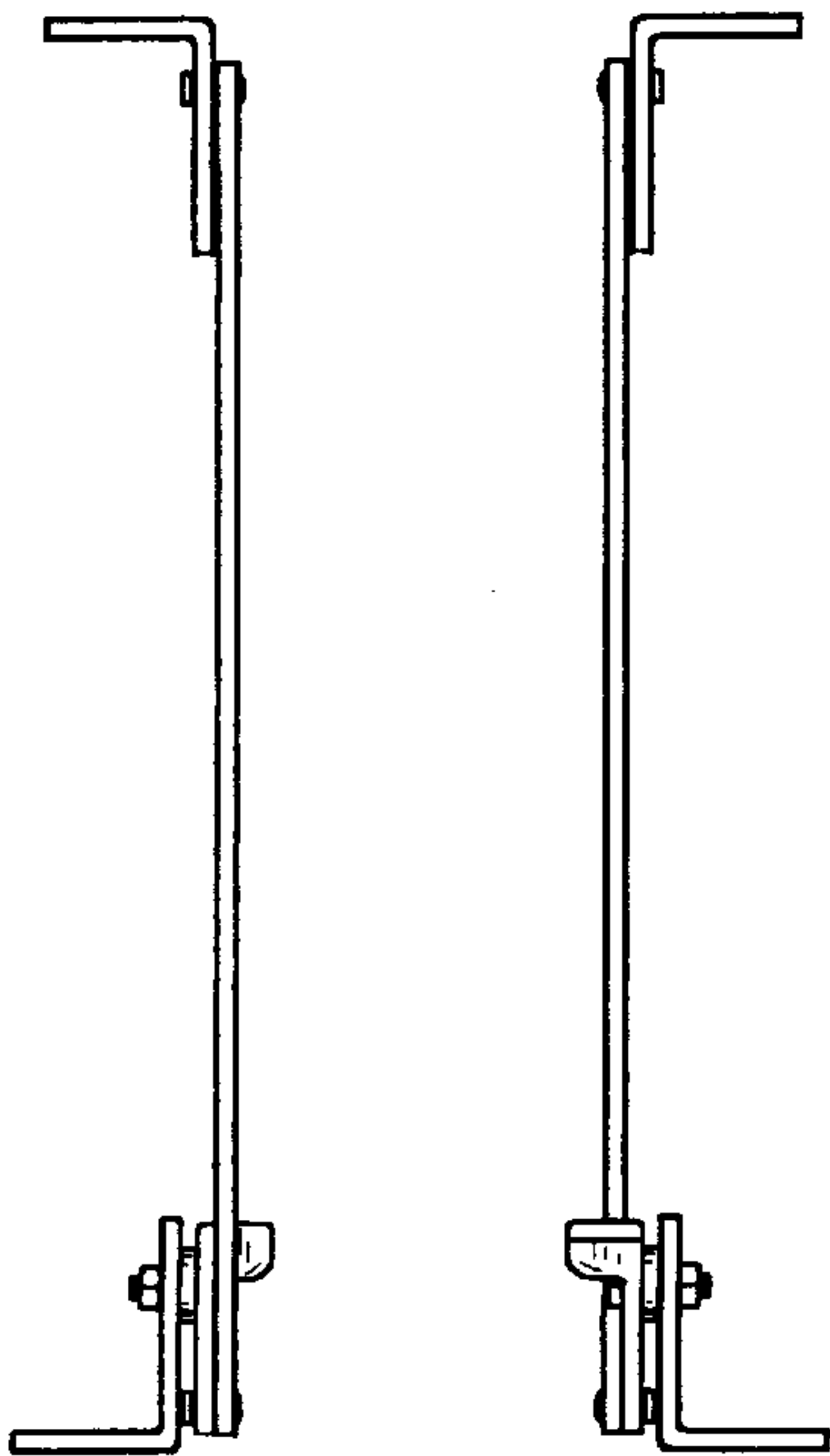


Fig. 3

Fig. 4

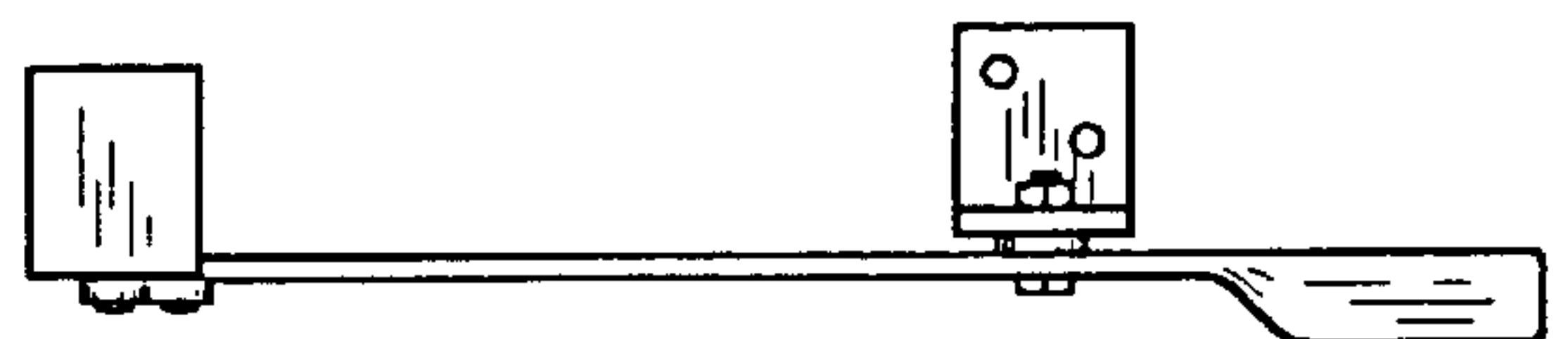


Fig. 5



Fig. 6