



US00D423087S

United States Patent [19]
Houseman

[11] **Patent Number: Des. 423,087**

[45] **Date of Patent: ** Apr. 18, 2000**

[54] **PIPE FLASHING**

[75] Inventor: **David Houseman**, Bayswater, Australia

[73] Assignee: **Deks Industries Pty Ltd.**, Bayswater, Australia

[**] Term: **14 Years**

[21] Appl. No.: **29/101,653**

[22] Filed: **Mar. 9, 1999**

[30] **Foreign Application Priority Data**

Dec. 21, 1998 [AU] Australia 4002/98

[51] **LOC (6) Cl.** **23-01**

[52] **U.S. Cl.** **D23/259**

[58] **Field of Search** D23/259, 269;
D25/199; 285/3, 4, 42, 238

[56] **References Cited**

U.S. PATENT DOCUMENTS

D. 252,703 8/1979 Cupit D23/259

D. 269,454 6/1983 Houseman D25/199
D. 380,039 6/1997 Sutherland et al. D23/269
4,664,390 5/1987 Houseman 285/42
5,176,408 1/1993 Pedersen 285/42
5,414,964 5/1995 Bodycomb 285/42

Primary Examiner—Alan P. Douglas
Assistant Examiner—Reid Hecker
Attorney, Agent, or Firm—Reed Smith Hazel & Thomas LLP

[57] **CLAIM**

The ornamental design for a pipe flashing, as shown and described.

DESCRIPTION

FIG. 1 is a side elevation view of my design for a pipe flashing, shown partially in section; FIG. 2 is a perspective view thereof; FIG. 3 is a top plan view thereof; FIG. 4 is a bottom plan view thereof; and, FIG. 5 is a greatly enlarged fragmentary section view of the area circled as 5 in FIG. 1.

1 Claim, 1 Drawing Sheet

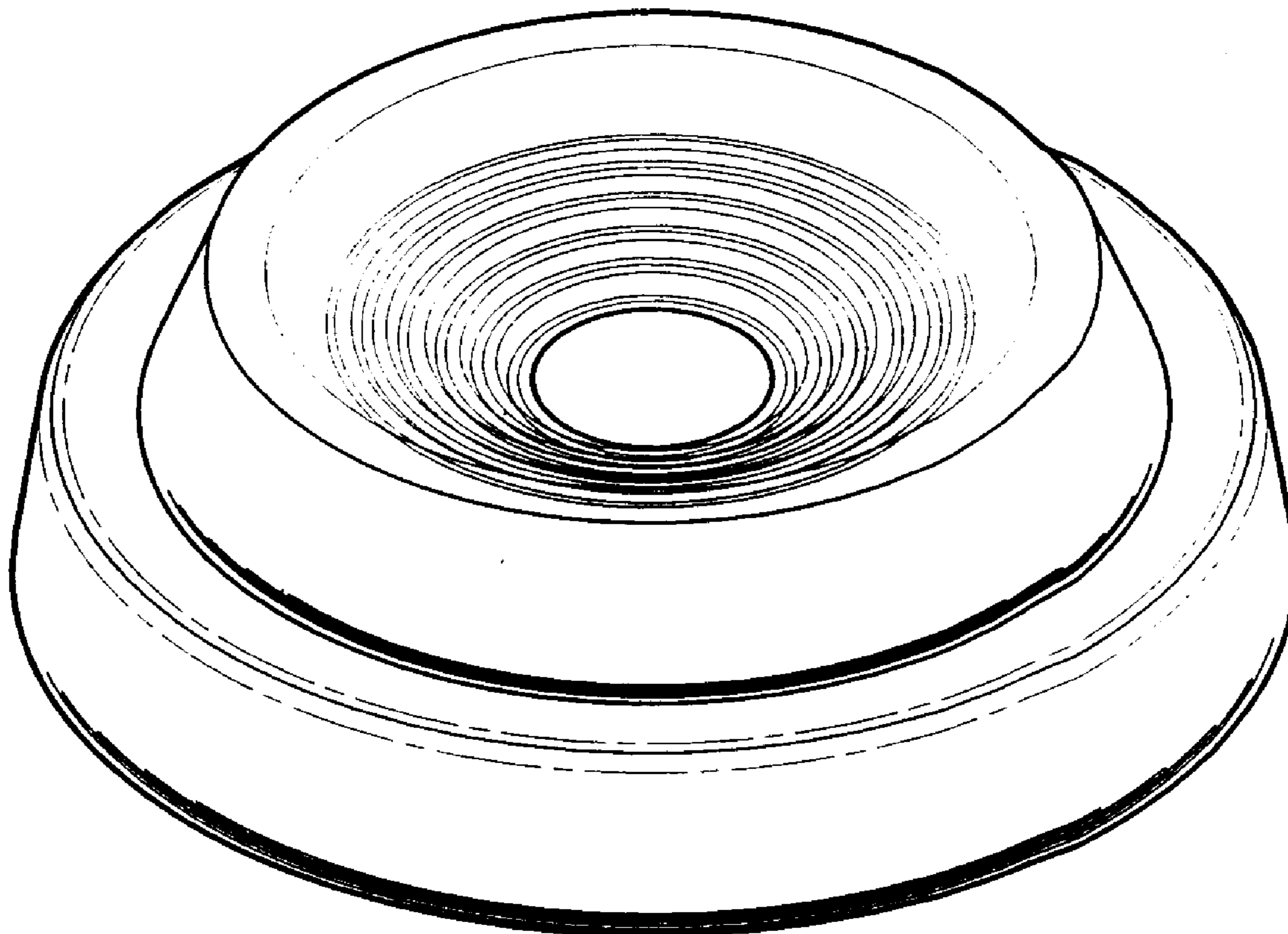


Fig 1.

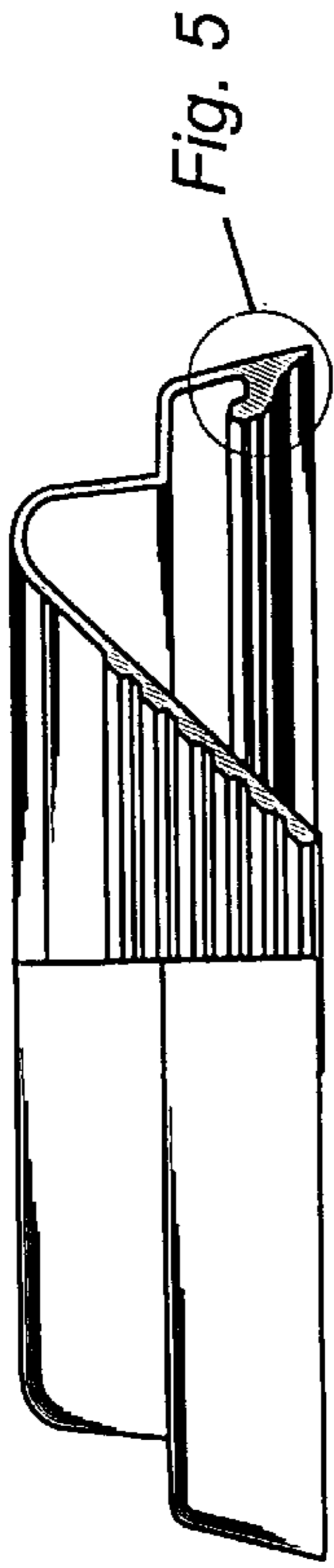


Fig 2.

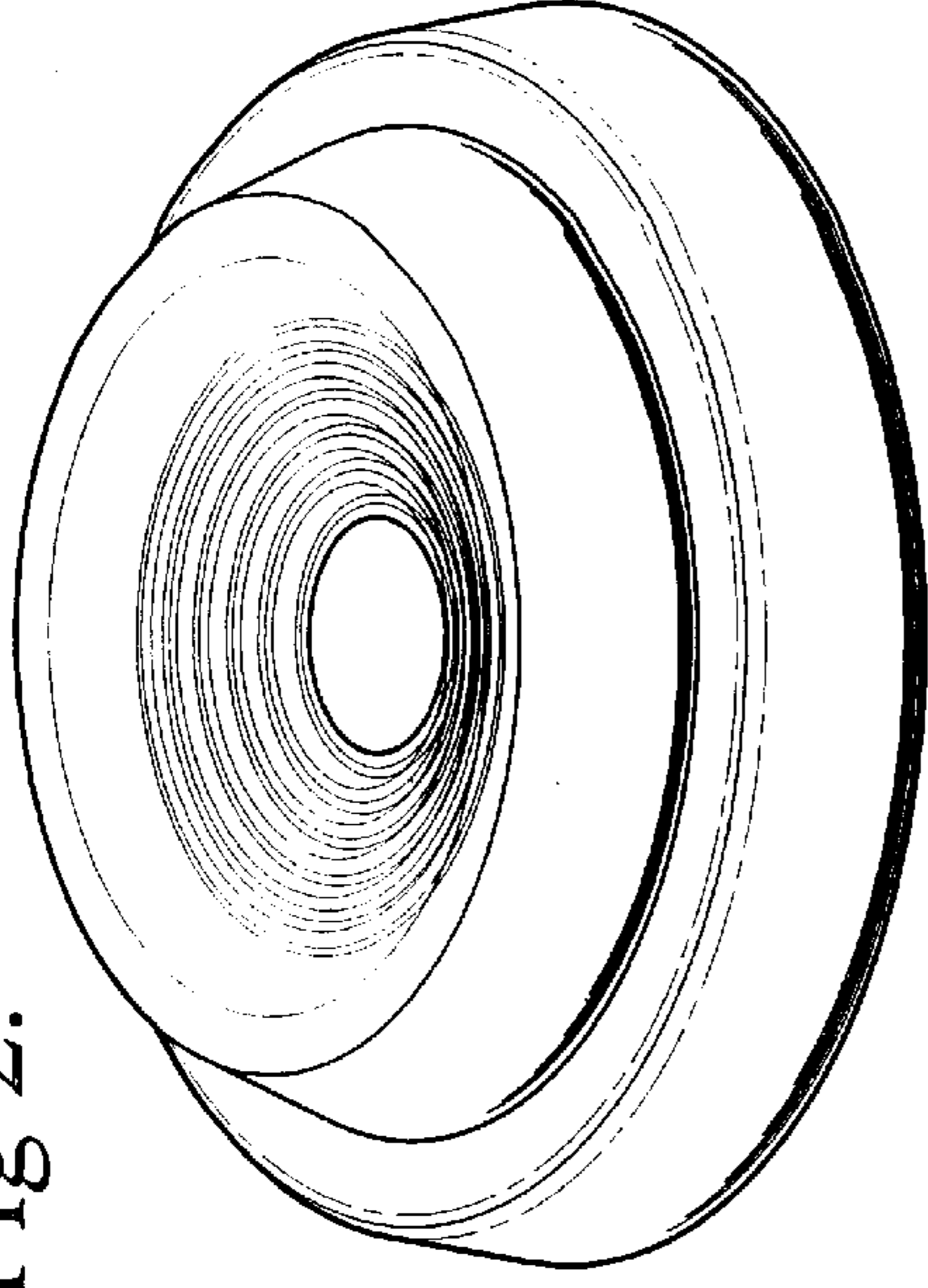


Fig 3.

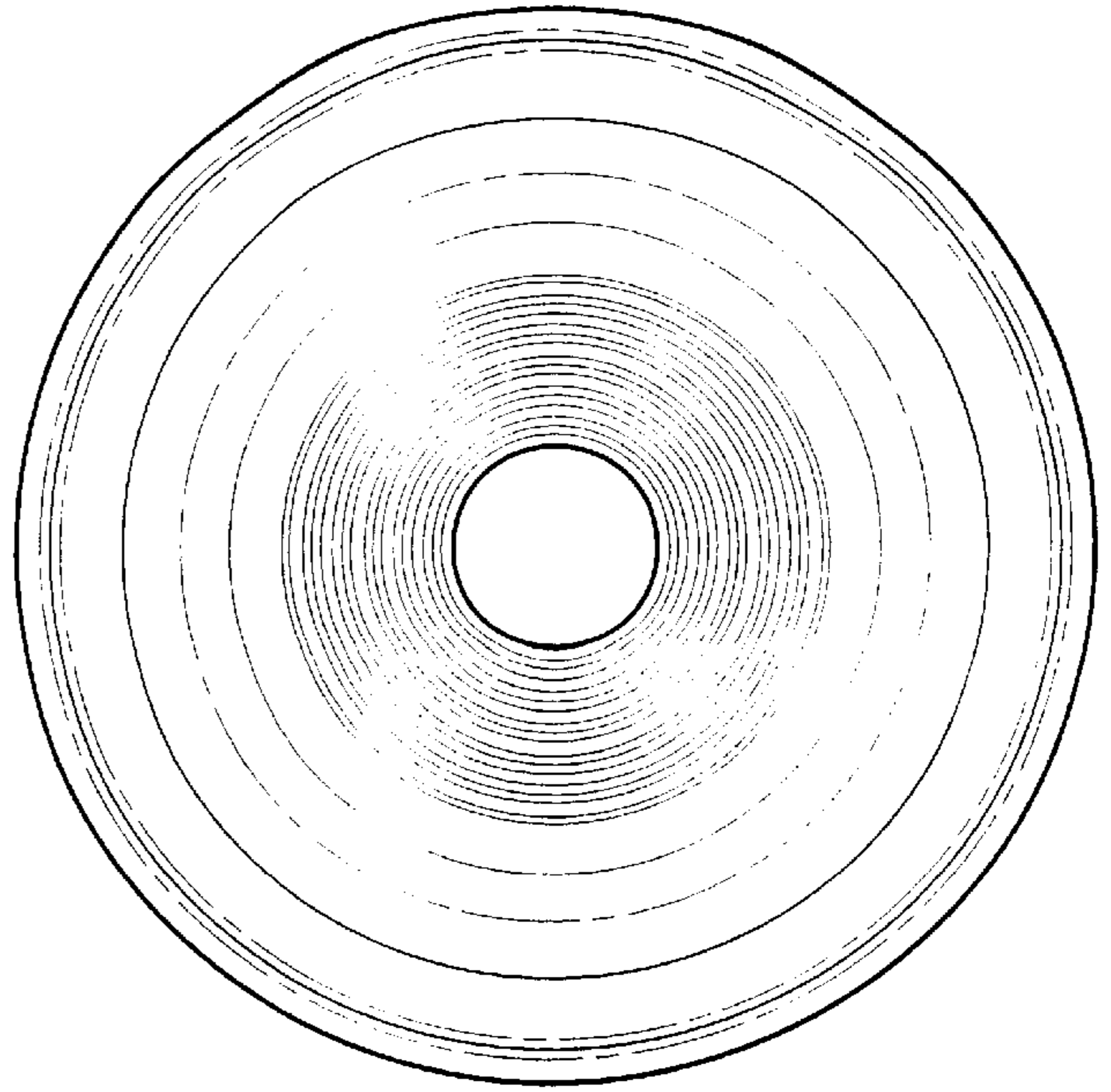


Fig 4.

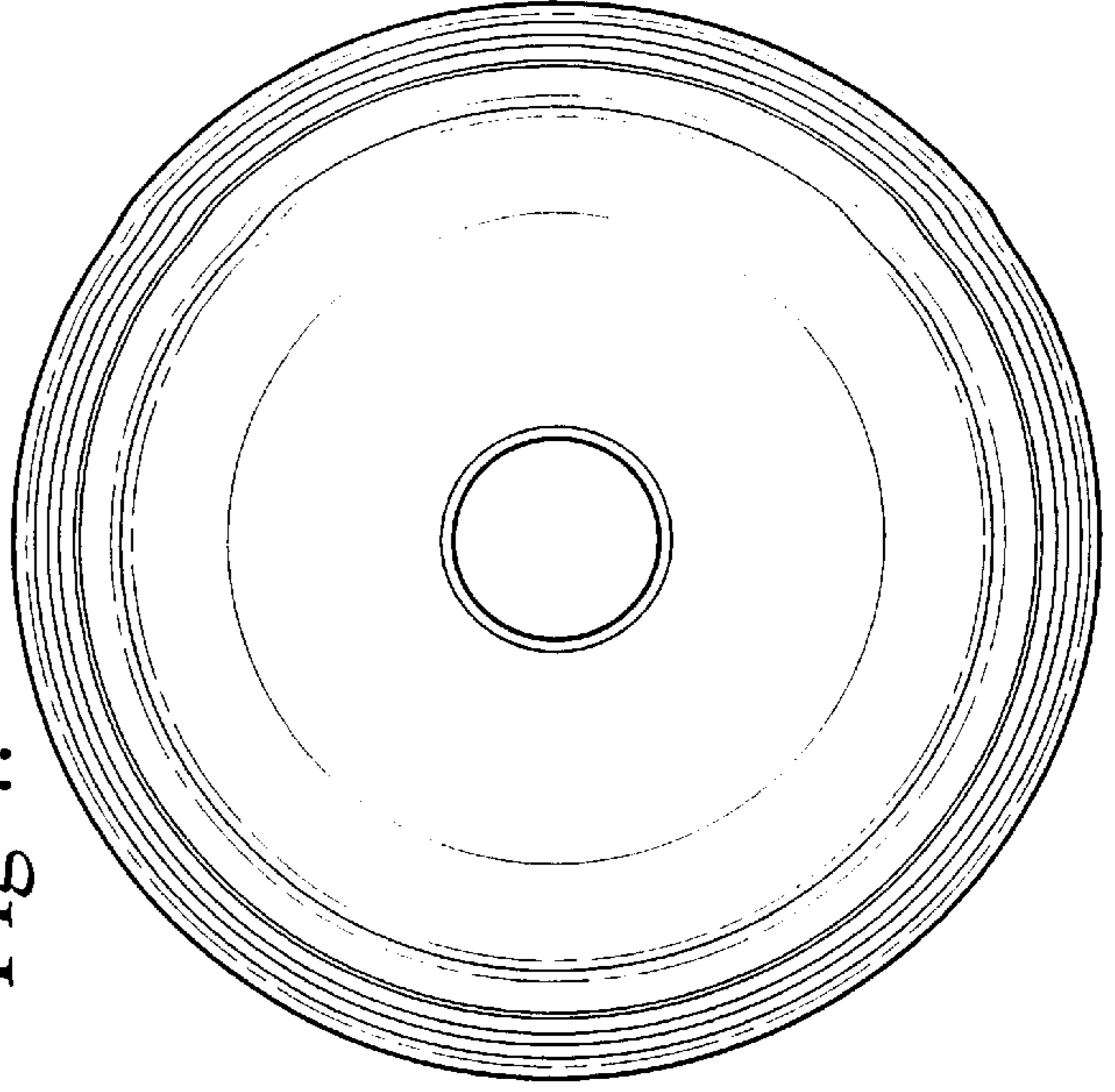


Fig. 5.

