



US00D423084S

# United States Patent [19] Lord

[11] Patent Number: **Des. 423,084**

[45] Date of Patent: **\*\* Apr. 18, 2000**

## [54] SINGLE HANDLE FAUCET

[75] Inventor: **Judd A. Lord**, Carmel, Ind.

[73] Assignee: **Masco Corporation of Indiana**, Indianapolis, Ind.

[\*\*] Term: **14 Years**

[21] Appl. No.: **29/081,021**

[22] Filed: **Dec. 22, 1997**

[51] **LOC (6) Cl.** ..... **23-01**

[52] **U.S. Cl.** ..... **D23/238**

[58] **Field of Search** ..... D23/238-243,  
D23/250-257; 4/675-678; 137/801

## [56] References Cited

### U.S. PATENT DOCUMENTS

D. 140,557	3/1945	Stanitz .	
D. 193,885	10/1962	Andrews .	
D. 197,000	11/1963	Landell .	
D. 203,246	12/1965	Harvey et al. .	
D. 213,874	4/1969	Landell .	
D. 219,779	1/1971	Tiller .	
D. 235,546	6/1975	Landell .....	D23/241
D. 253,799	1/1980	Saporito et al. .	
D. 293,362	12/1987	Hill et al. ....	D23/241
D. 296,461	6/1988	Yost .....	D23/241
D. 297,357	8/1988	Spangler .	
D. 297,358	8/1988	Hill .	
D. 363,534	10/1995	Hill et al. .	
D. 363,535	10/1995	Hill et al. .	
D. 364,211	11/1995	Hill et al. .	
D. 364,212	11/1995	Hill et al. .	
D. 365,142	12/1995	Hill et al. .	
D. 367,697	3/1996	Haug et al. .	
D. 367,698	3/1996	Haug et al. .	
D. 367,917	3/1996	Haug et al. .	
D. 367,918	3/1996	Haug et al. .	
D. 368,956	4/1996	Haug et al. .	
D. 380,252	6/1997	Abel .....	D23/241
D. 381,404	7/1997	Doughty et al. ....	D23/241
D. 387,416	12/1997	Chin .....	D23/241
3,035,612	5/1962	Lyon .	
3,202,181	8/1965	West .	
4,804,010	2/1989	Meissenburg .	

## OTHER PUBLICATIONS

Sweet's Catalog File (1980).  
Kohler pp. 3-36.  
Delta Full Line Catalog—The Way Water is Brought to Life (1992).  
Delta Full Line Price List.  
Euroexclusive: Euromodular (1987).  
Delta HDF Catalog (Commercial Products) (1987).  
Best.  
Moen—Enduring Elegance no date.  
Delta Full Line Catalog—Living with Classics No date.  
Moen—Fifty Years of Faucet Innovation no date.

*Primary Examiner*—Louis S. Zarfes  
*Assistant Examiner*—Eric Watterson  
*Attorney, Agent, or Firm*—Myron B. Kapustij; Malcolm L. Sutherland

## [57] CLAIM

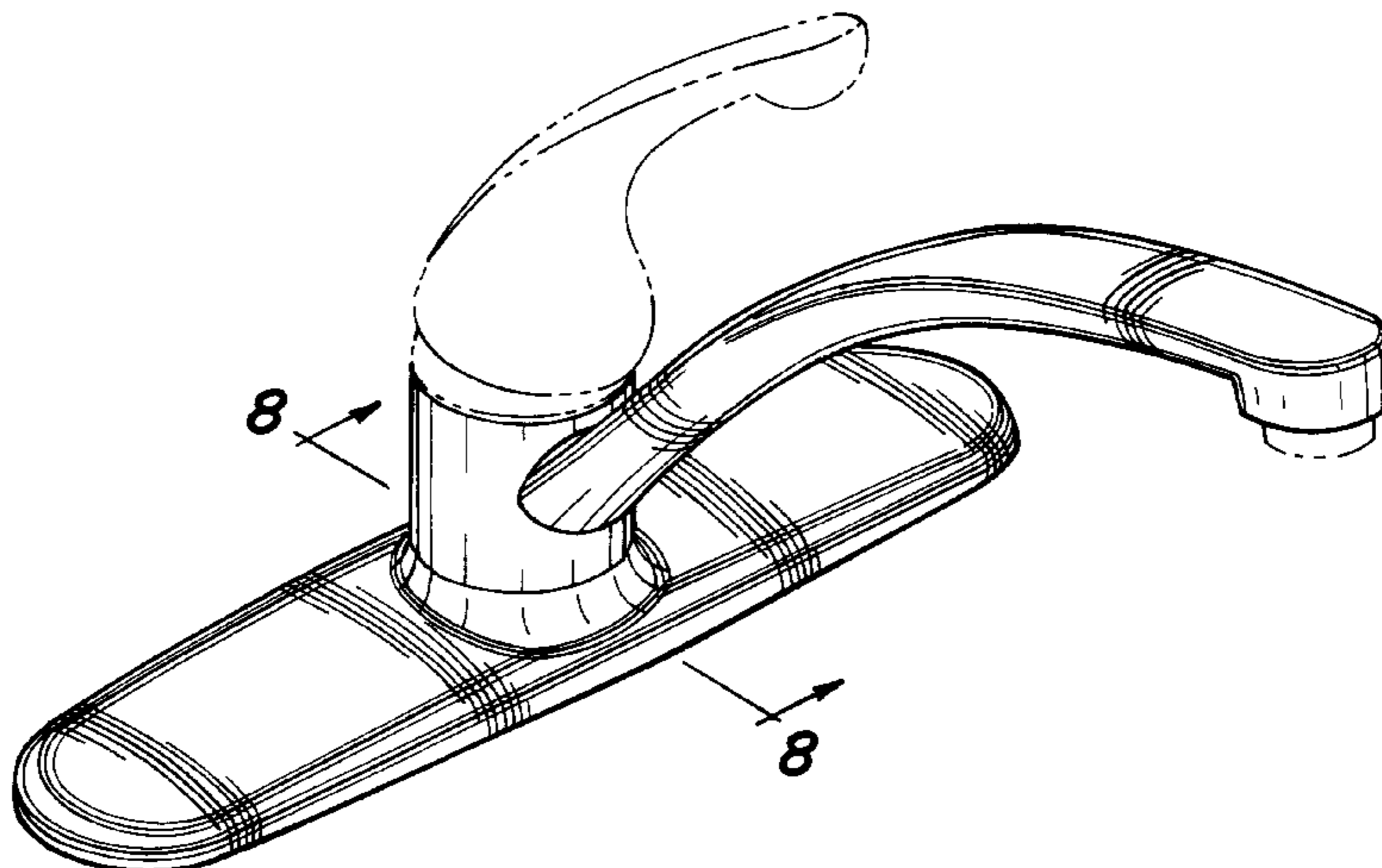
The ornamental design for a single handle faucet, as shown and described.

## DESCRIPTION

FIG. 1 is a front perspective view of a single handle faucet showing my new design;  
FIG. 2 is a rear perspective view thereof;  
FIG. 3 is a top plan view thereof;  
FIG. 4 is a front elevational view thereof;  
FIG. 5 is a right side elevational view thereof, the left side being a mirror image;  
FIG. 6 is a rear elevational view thereof;  
FIG. 7 is a bottom plan view thereof;  
FIG. 8 is a cross-sectional view taken along line 8—8 in FIG. 1;  
FIG. 9 is a cross-sectional view taken along line 9—9 in FIG. 2; and,  
FIG. 10 is a cross-sectional view taken along line 10—10 in FIG. 2.

The broken line showings of the aerator in FIGS. 1-2, 4-5 and 7, of the handle in FIGS. 1 and 4-5, and of the bonnet nut in FIGS. 1 and 4-5 are for purposes of illustration only and form no part of the claimed design.

**1 Claim, 4 Drawing Sheets**



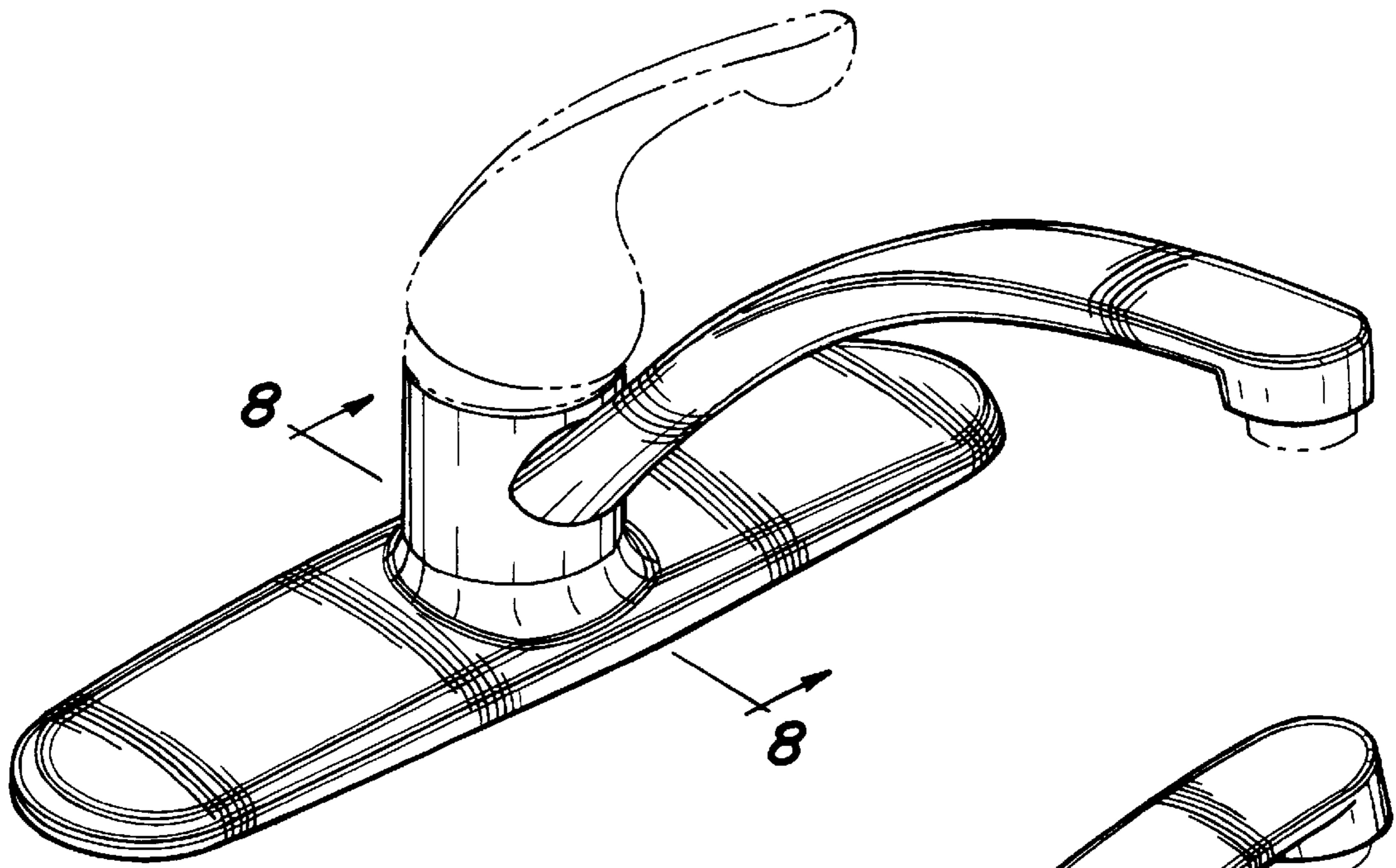


Fig-1

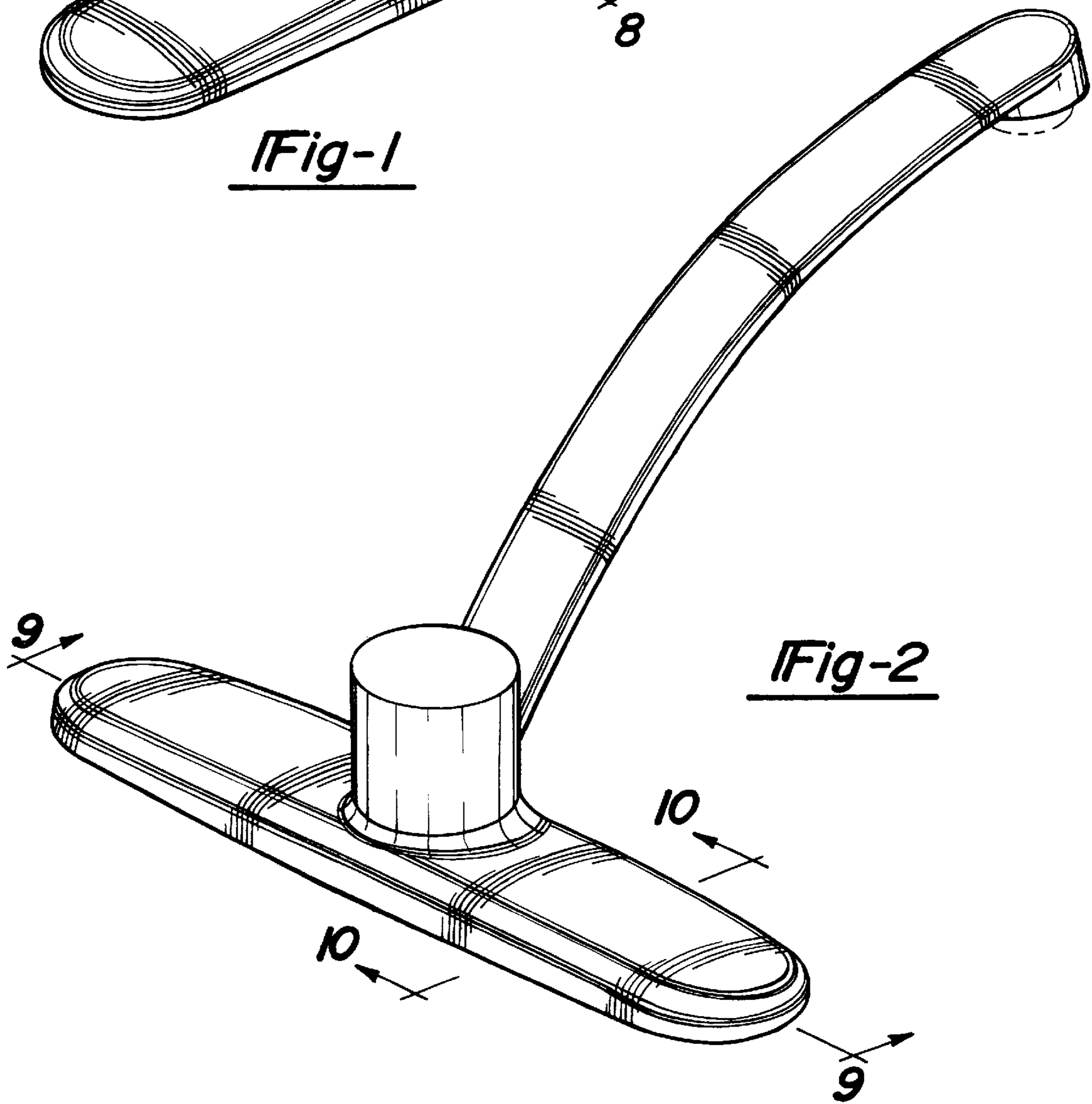


Fig-2

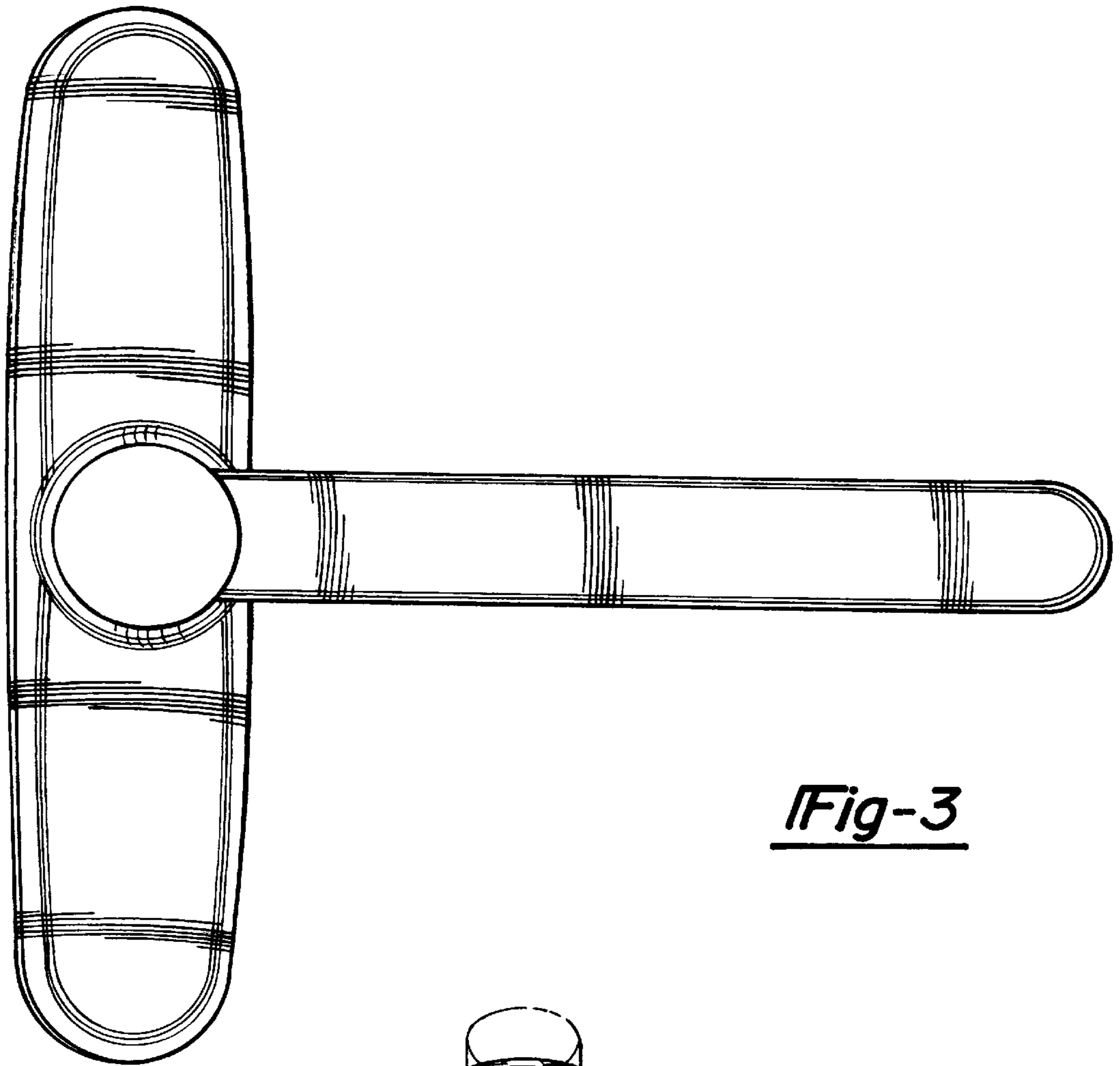


Fig-3

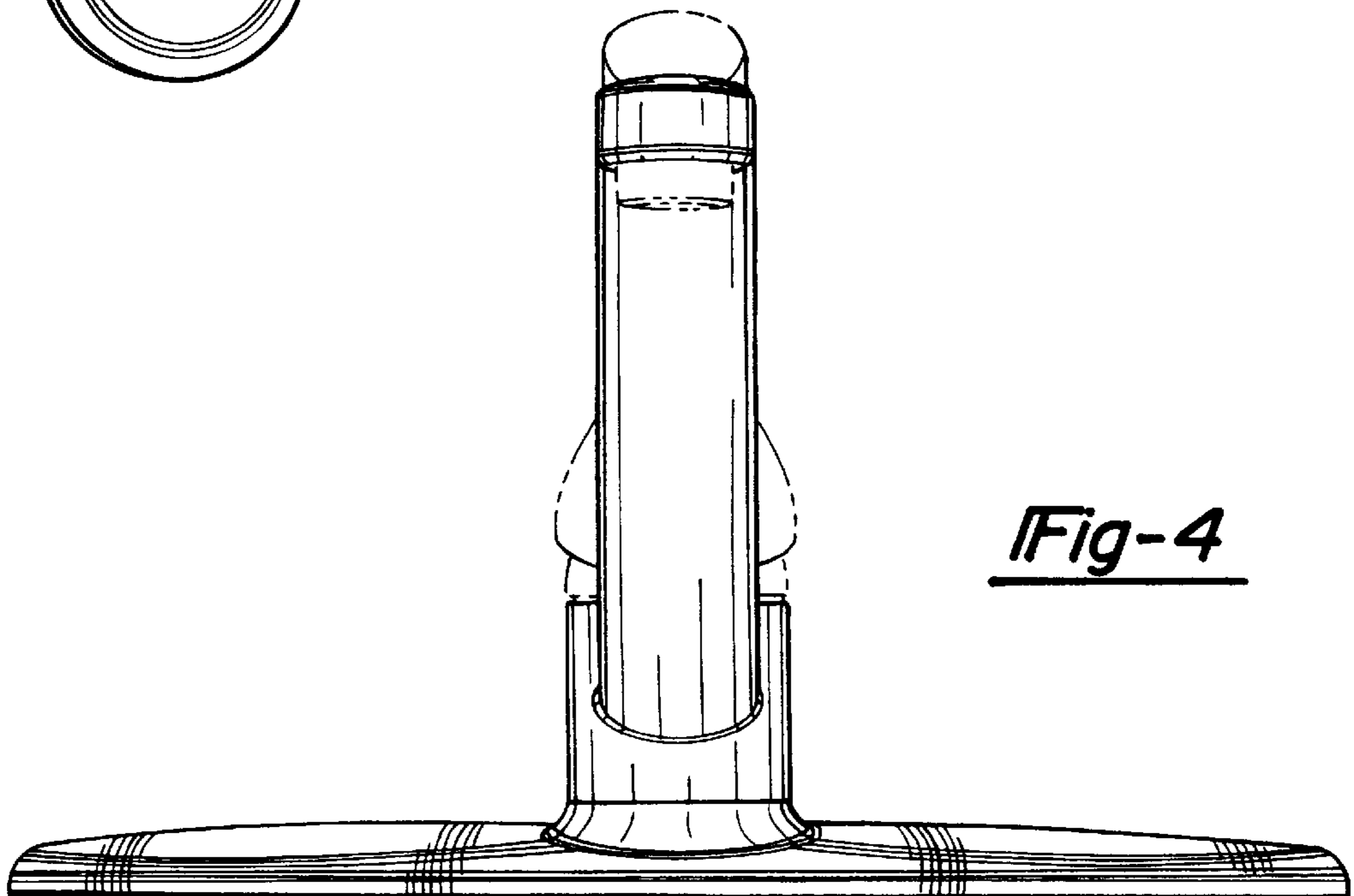


Fig-4

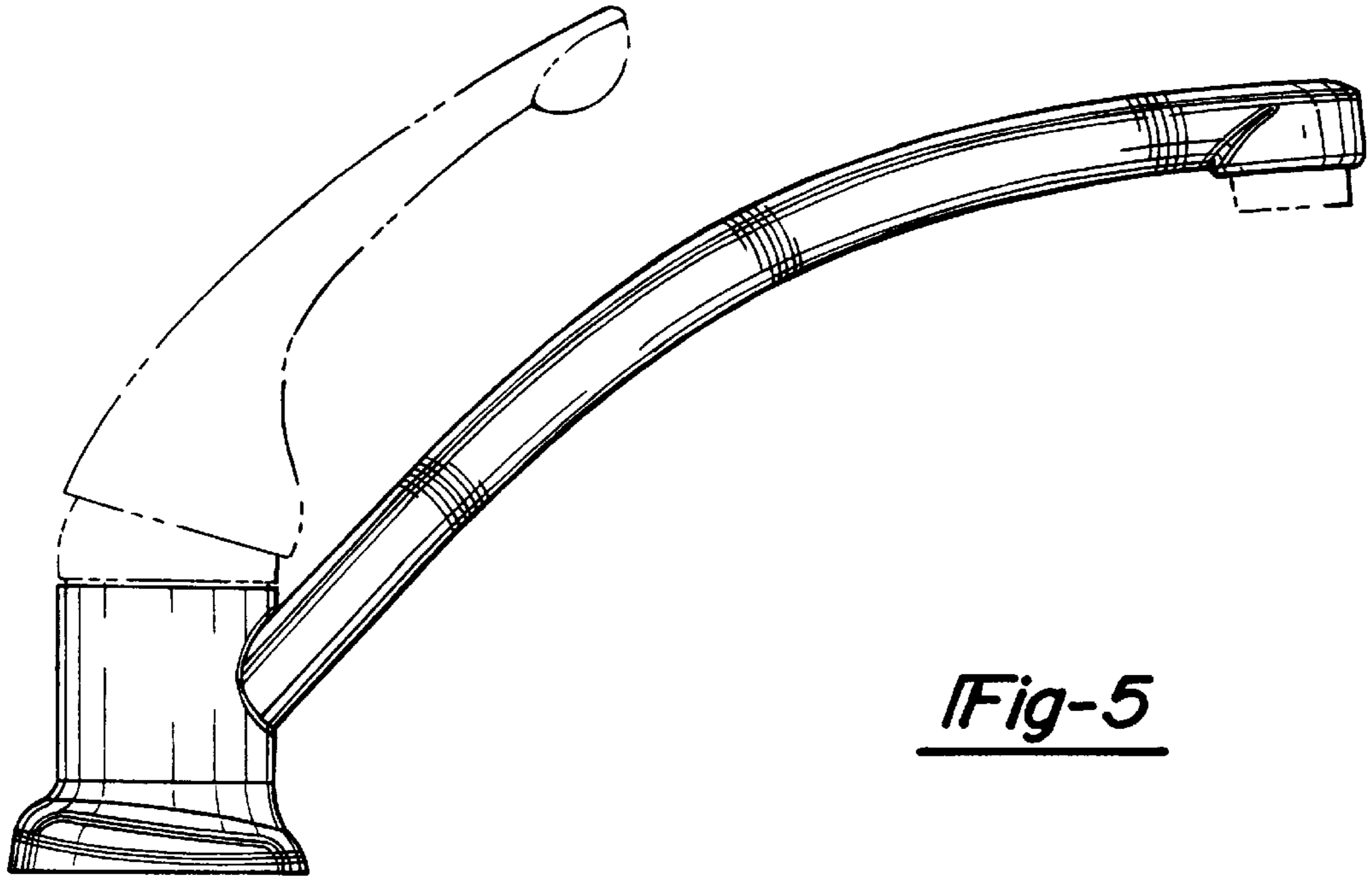


Fig-5

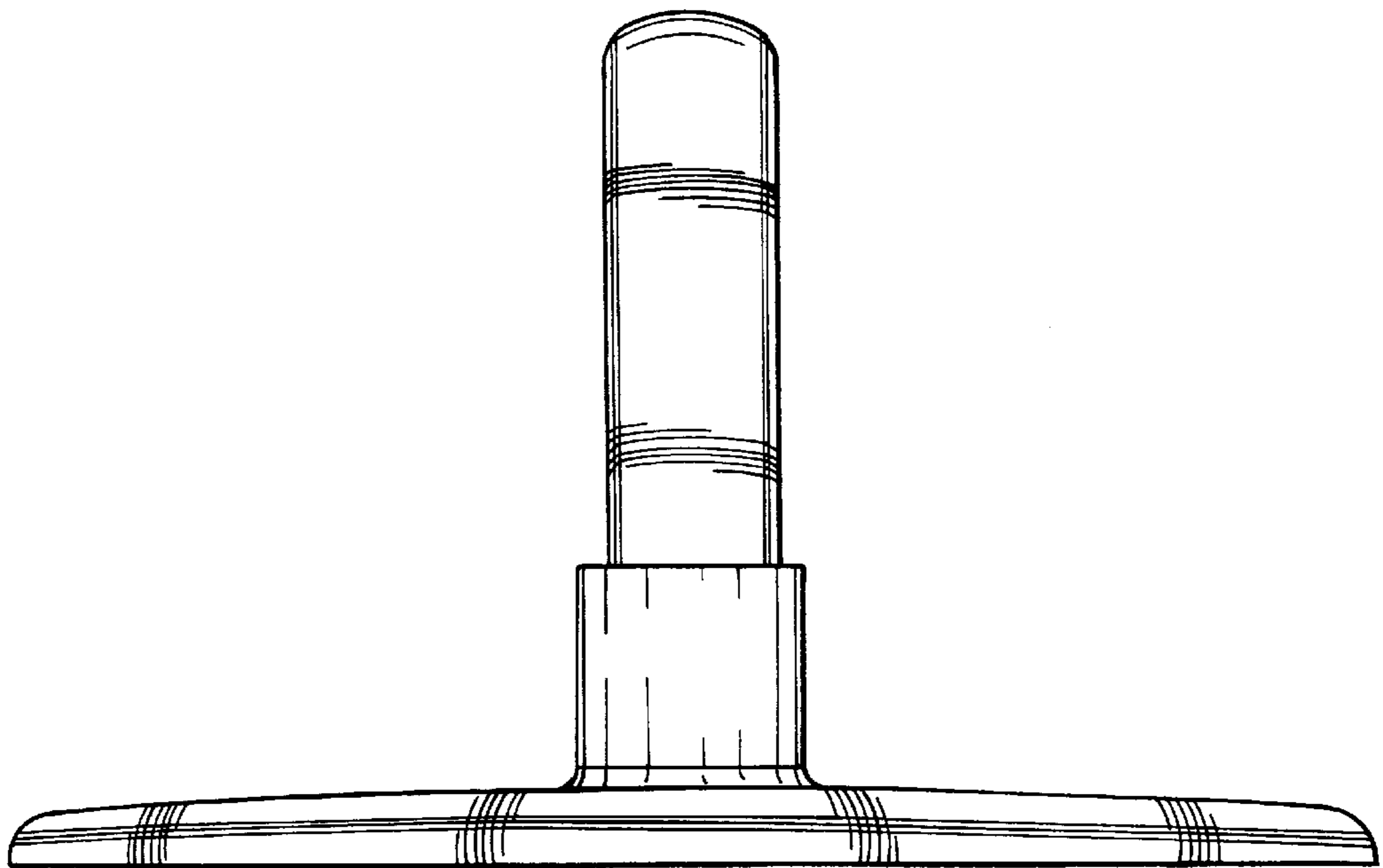


Fig-6



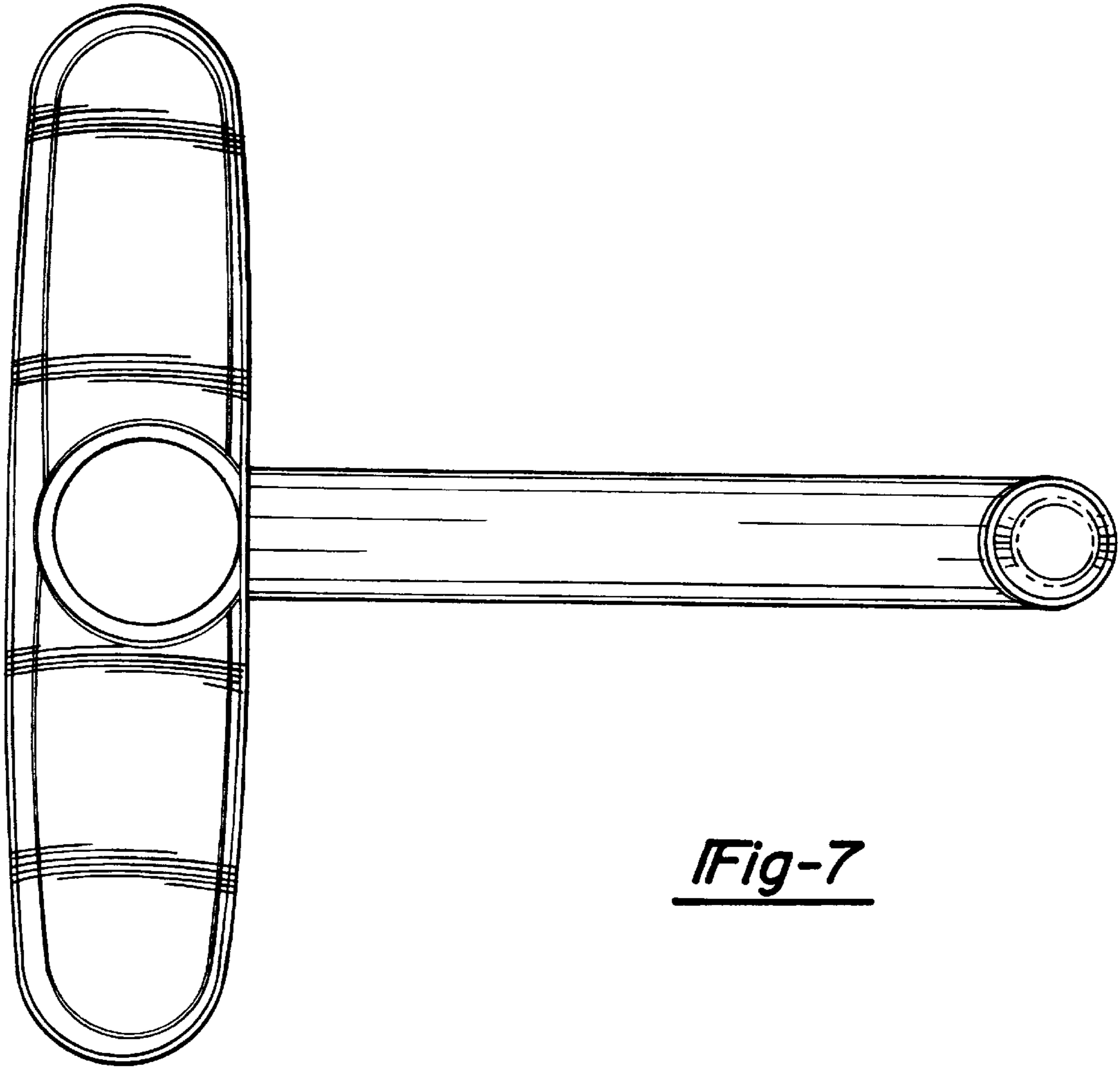


Fig-7

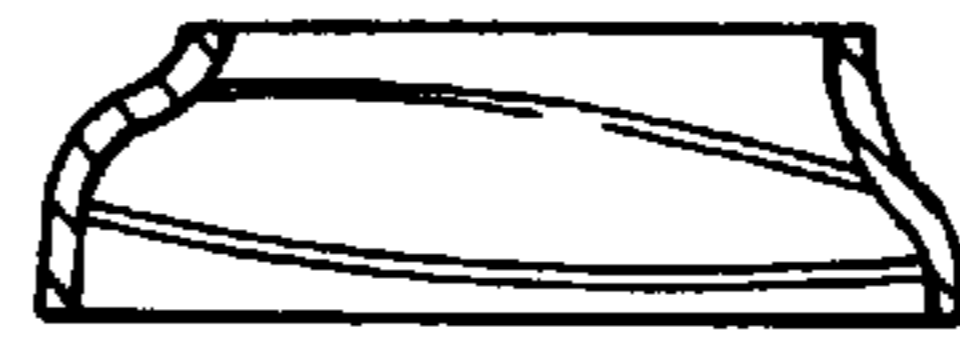


Fig-8



Fig-10

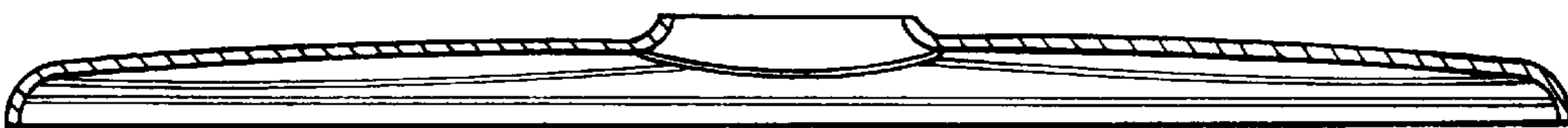


Fig-9