



US00D423081S

**United States Patent** [19]  
**Niermeyer**

[11] **Patent Number: Des. 423,081**

[45] **Date of Patent: \*\* Apr. 18, 2000**

[54] **CONNECTOR**

[75] Inventor: **J. Karl Niermeyer**, Tyngsboro, Mass.

[73] Assignee: **Millipore Corporation**, Bedford, Mass.

[\*\*] Term: **14 Years**

[21] Appl. No.: **29/090,540**

[22] Filed: **Jul. 10, 1998**

[51] **LOC (6) Cl.** ..... **23-01**

[52] **U.S. Cl.** ..... **D23/209**

[58] **Field of Search** ..... D23/207, 209;  
210/321.6, 450

[56] **References Cited**

**U.S. PATENT DOCUMENTS**

4,498,989 2/1985 Miyajawa et al. .... 210/450  
5,435,915 7/1995 Connors ..... 210/450

5,453,184 9/1995 Handtmann ..... 210/450  
5,779,903 7/1998 Smith et al. .... 210/450

*Primary Examiner*—Robin V. Taylor  
*Attorney, Agent, or Firm*—John Dana Hubbard; Timothy J. King

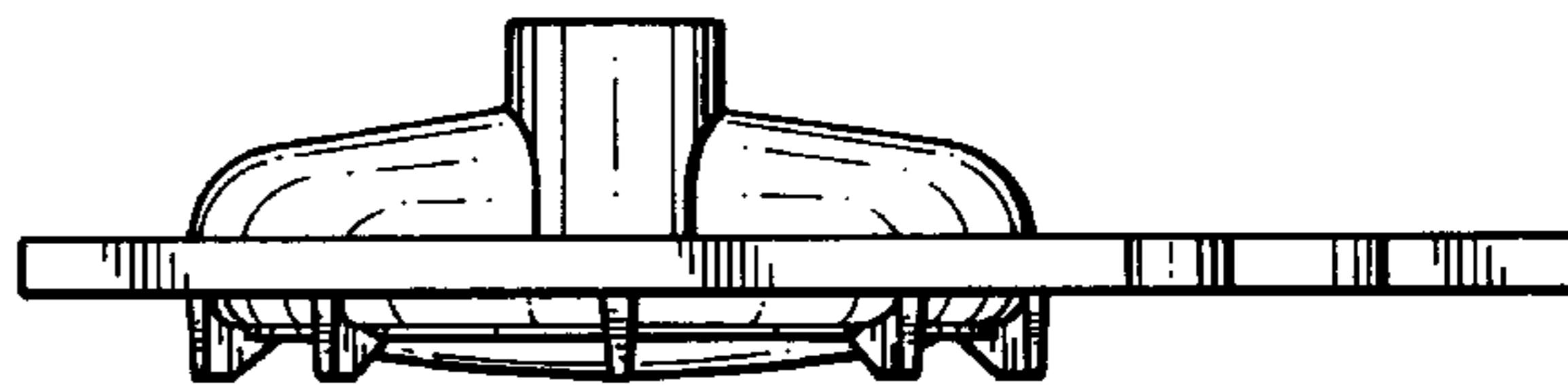
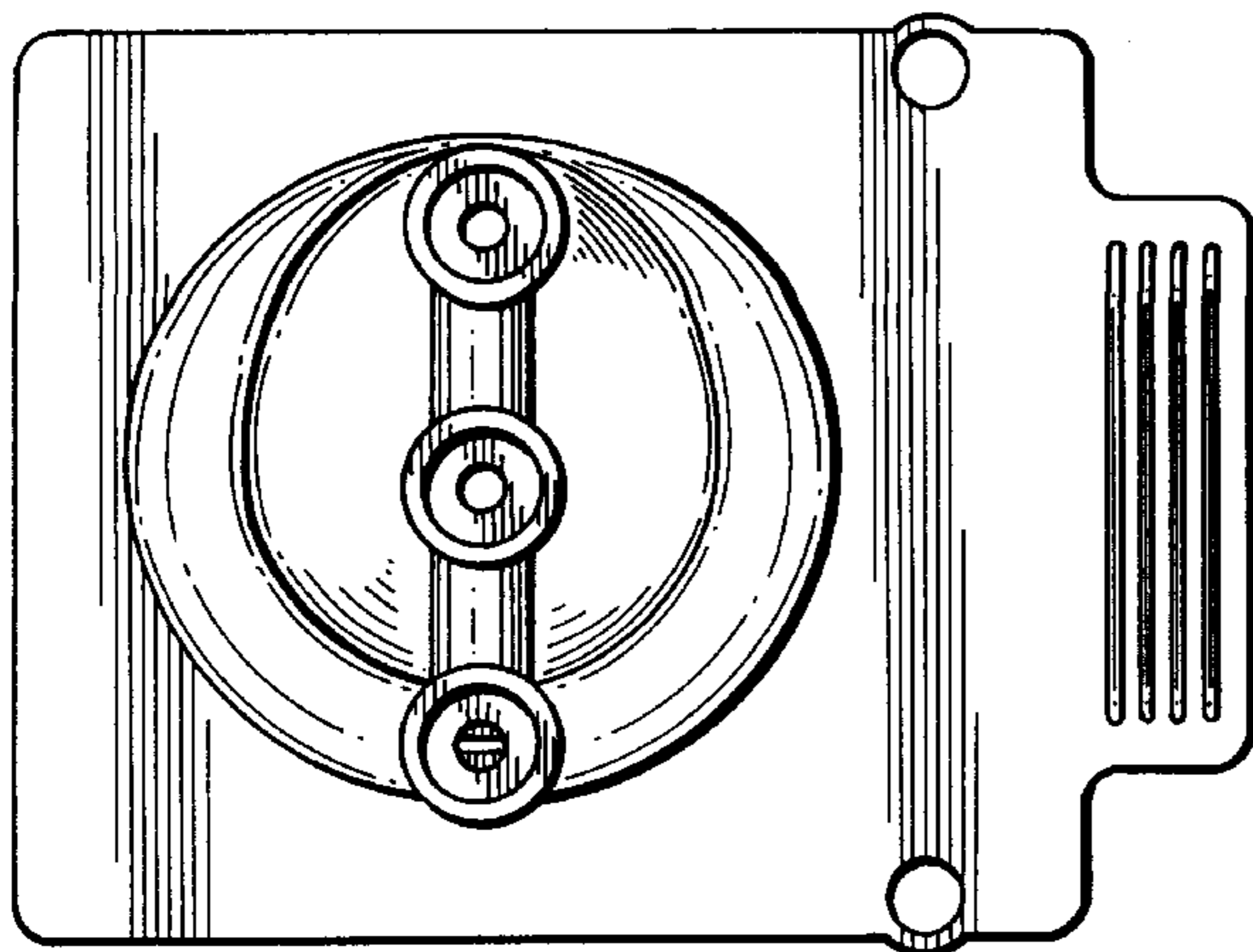
[57] **CLAIM**

The ornamental design for a connector, as shown and described.

**DESCRIPTION**

FIG. 1 is a top plan view of a connector showing my new design;  
FIG. 2 is a side elevational view thereof; and,  
FIG. 3 is a bottom plan view thereof. This design is characterized by the upper surface of the connector having an oval area and an arc-like area which merge.

**1 Claim, 1 Drawing Sheet**



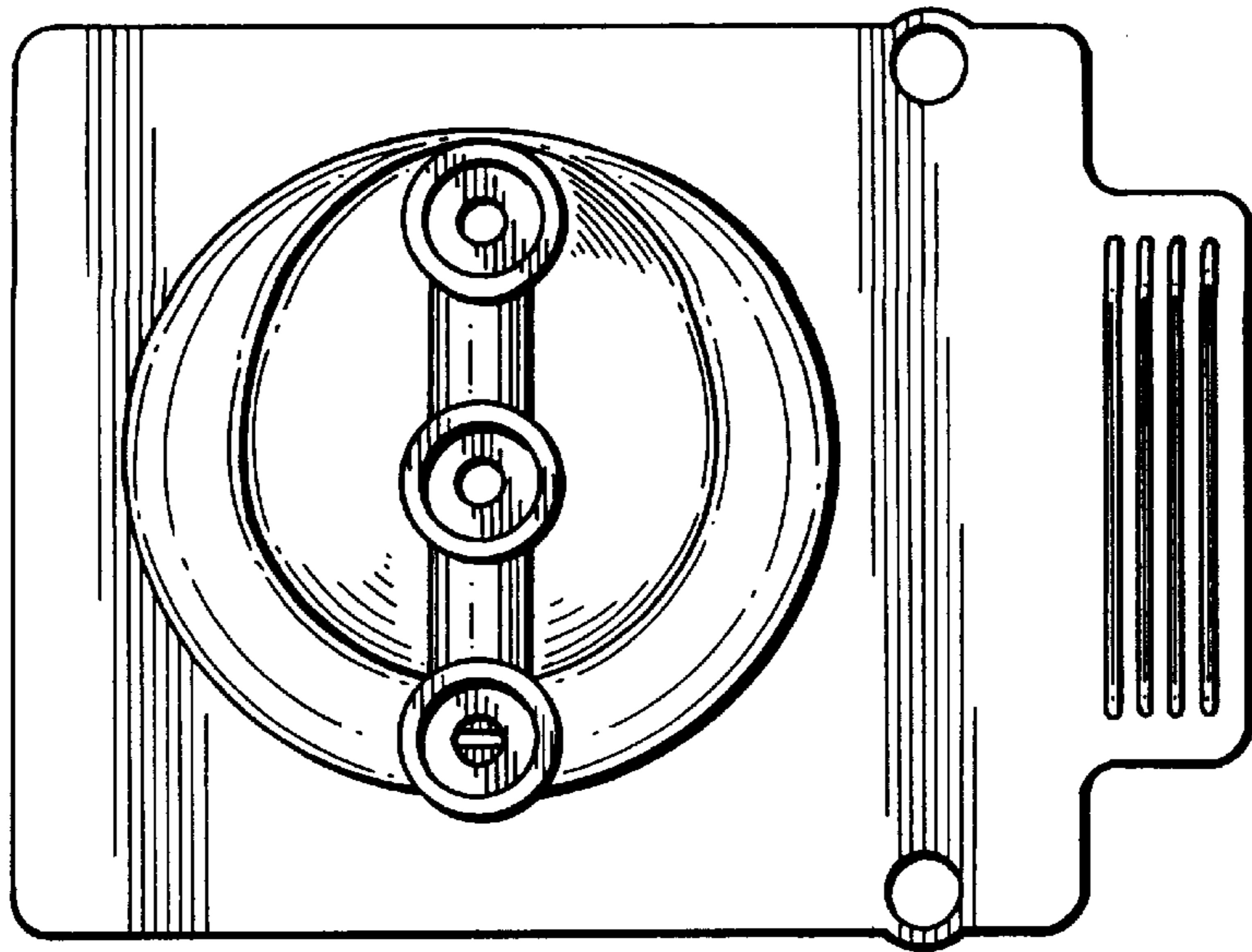


FIG. 1

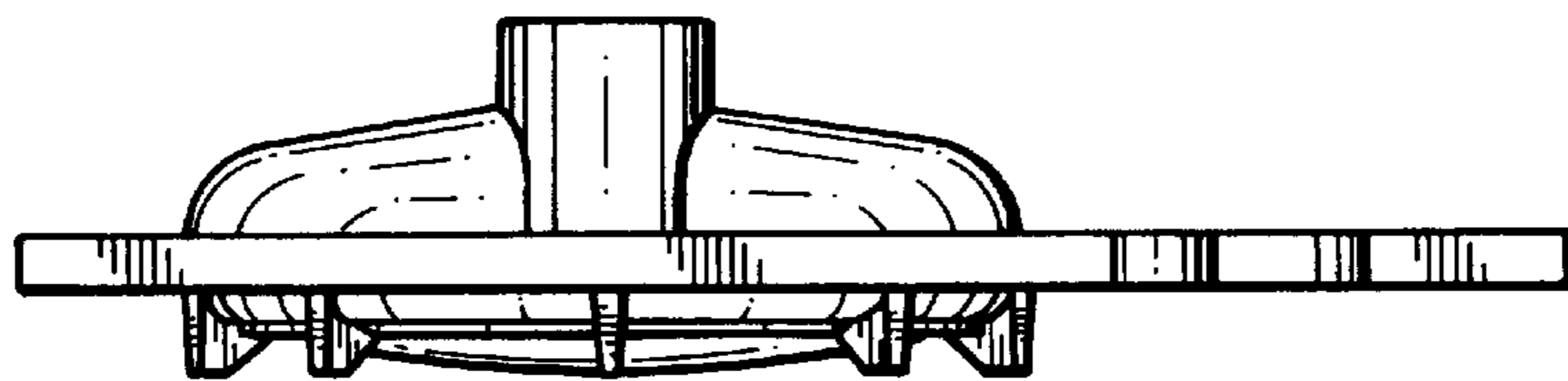


FIG. 2

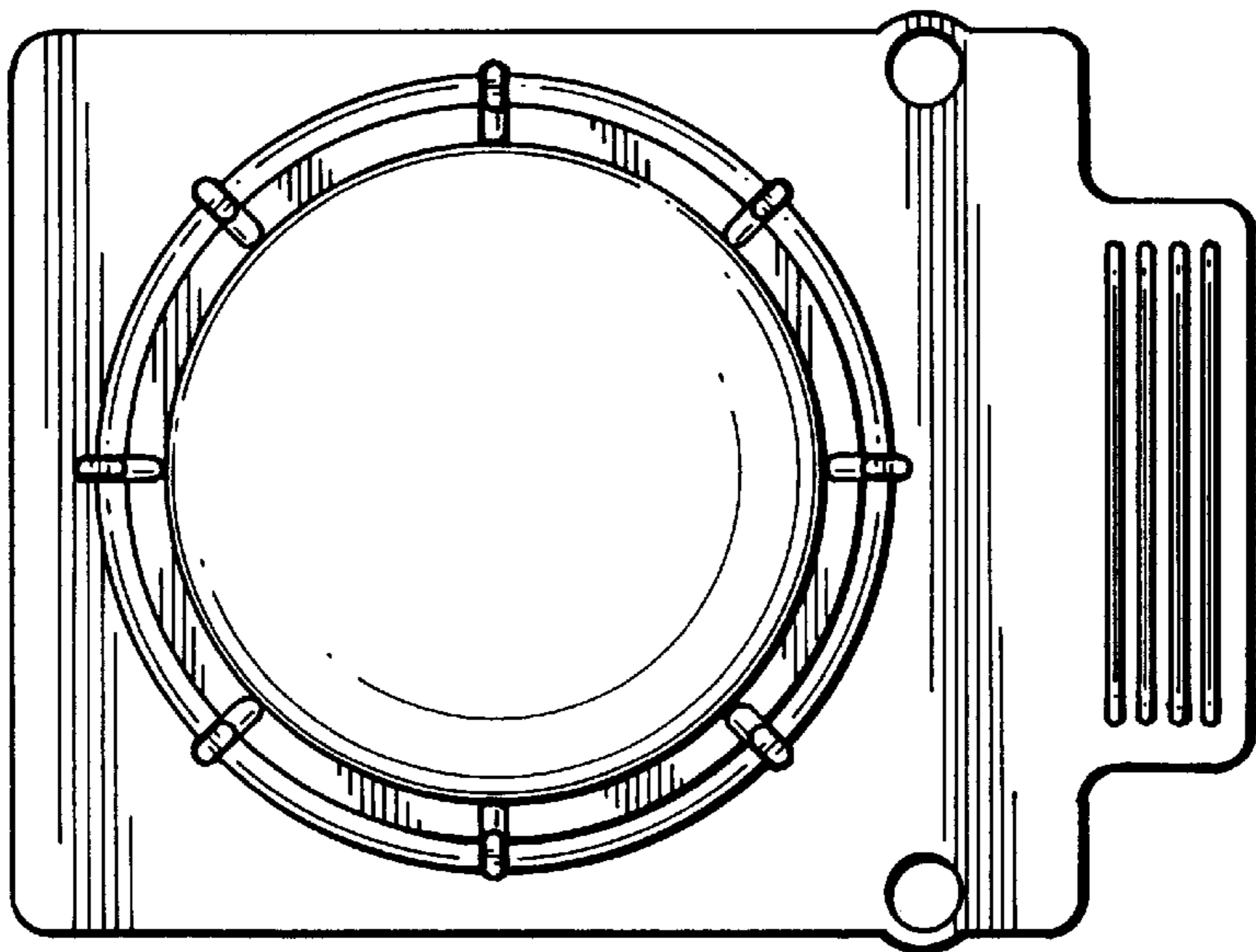


FIG. 3