



US00D423080S

United States Patent [19] Blount

[11] **Patent Number: Des. 423,080**

[45] **Date of Patent: ** Apr. 18, 2000**

[54] **WATER DISPLAY DEVICE**

[76] Inventor: **Stanley L. Blount**, 6005 Golden Saddle St., Las Vegas, Nev. 89130

[**] Term: **14 Years**

[21] Appl. No.: **29/103,437**

[22] Filed: **Apr. 13, 1999**

[51] **LOC (6) Cl. 23-01**

[52] **U.S. Cl. D23/201**

[58] **Field of Search D23/200, 201; 239/16-20; 40/406, 407, 439**

[56] **References Cited**

U.S. PATENT DOCUMENTS

D. 192,406	3/1962	Coates	D23/201
D. 394,487	5/1998	Wilson	D23/201
3,644,726	2/1972	Pfeuffer	40/406
4,265,402	5/1981	Tsai	239/20
4,693,025	9/1987	Landin .	
4,892,250	1/1990	Fuller et al.	239/18
5,106,660	4/1992	Vorel .	
5,167,993	12/1992	Aoyagi .	
5,228,225	7/1993	Lee	40/439
5,288,018	2/1994	Chikazumi	239/20
5,363,577	11/1994	Fuller et al. .	

5,636,669 6/1997 Price .
5,683,174 11/1997 Lena, Jr. .

OTHER PUBLICATIONS

Application serial No. 09/216,889, a utility application filed by the applicant on Dec. 18, 1998.

Primary Examiner—Robin V. Taylor
Attorney, Agent, or Firm—Kenneth L. Tolar

[57] **CLAIM**

The ornamental design for a water display device, as shown and described.

DESCRIPTION

FIG. 1 is a front view of the display device mounted within a wall with the wall depicted in phantom and forming no part of the claimed design; therefore, the circulation piping is behind the wall and is therefore invisible.

FIG. 2 is a perspective view of the display device.

FIG. 3 is a front, isolated view of the display device.

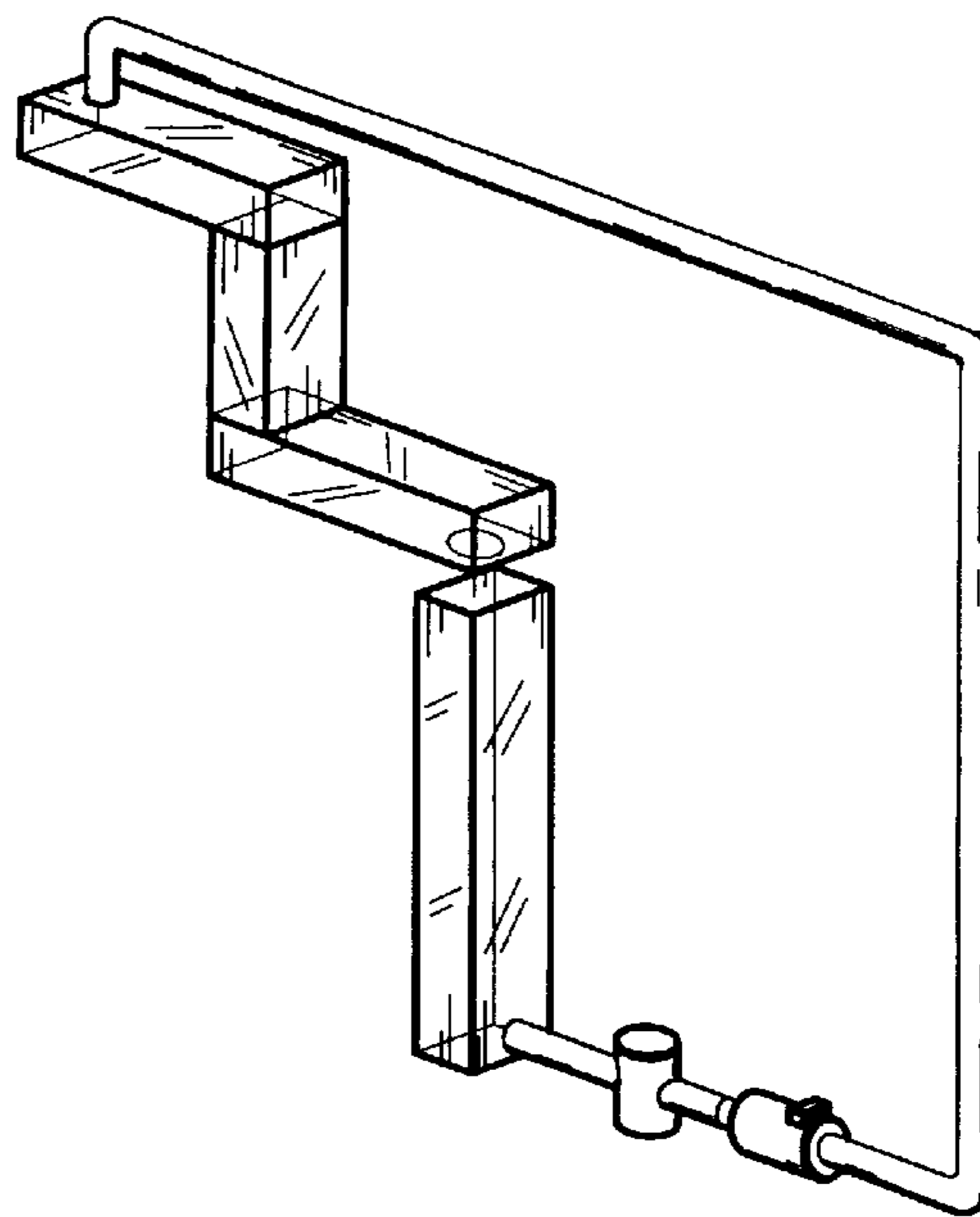
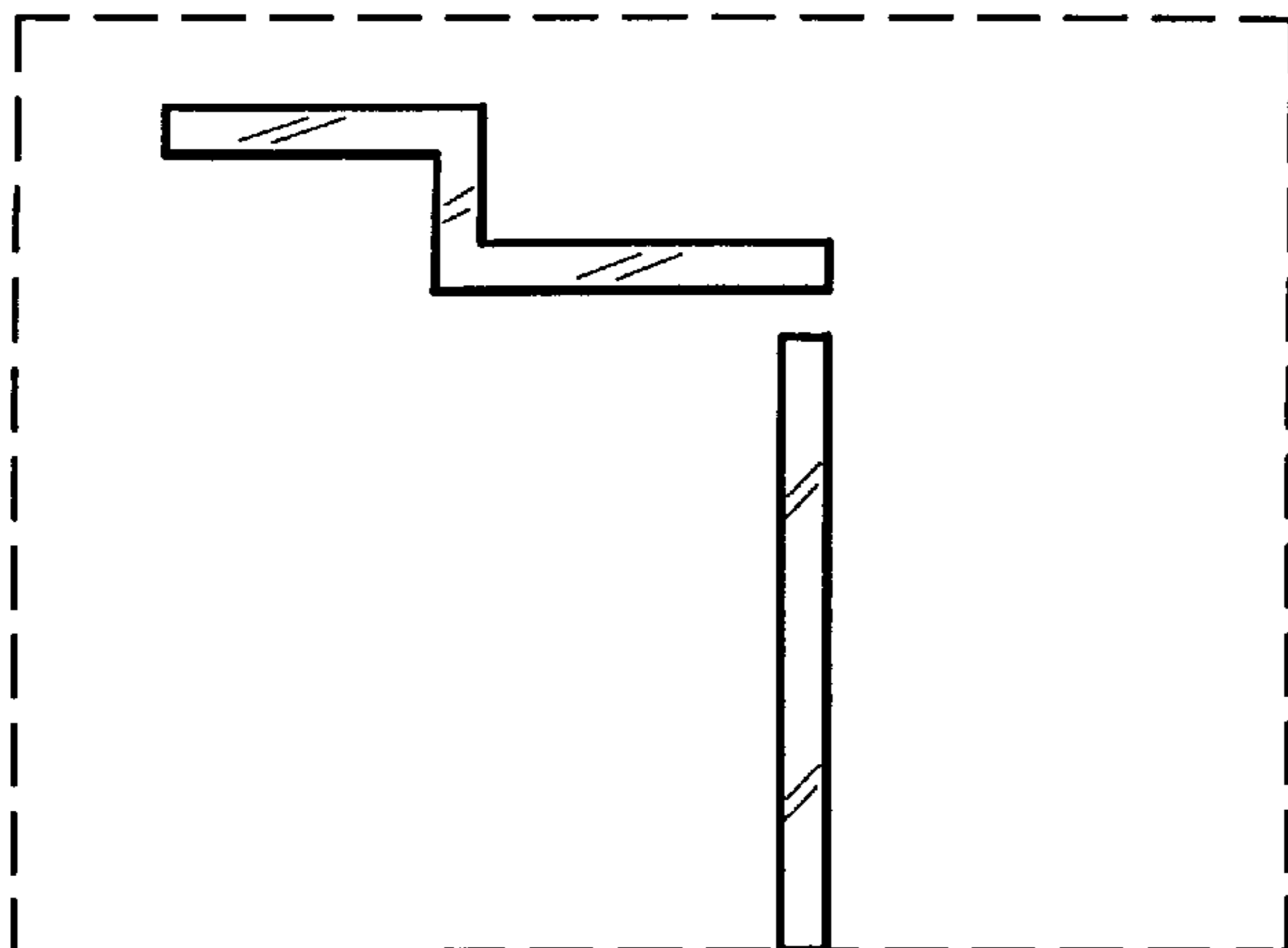
FIG. 4 is a right side view of the display device.

FIG. 5 is a left side view of the display device.

FIG. 6 is a top view of the display device; and,

FIG. 7 is a bottom view of the display device.

1 Claim, 1 Drawing Sheet



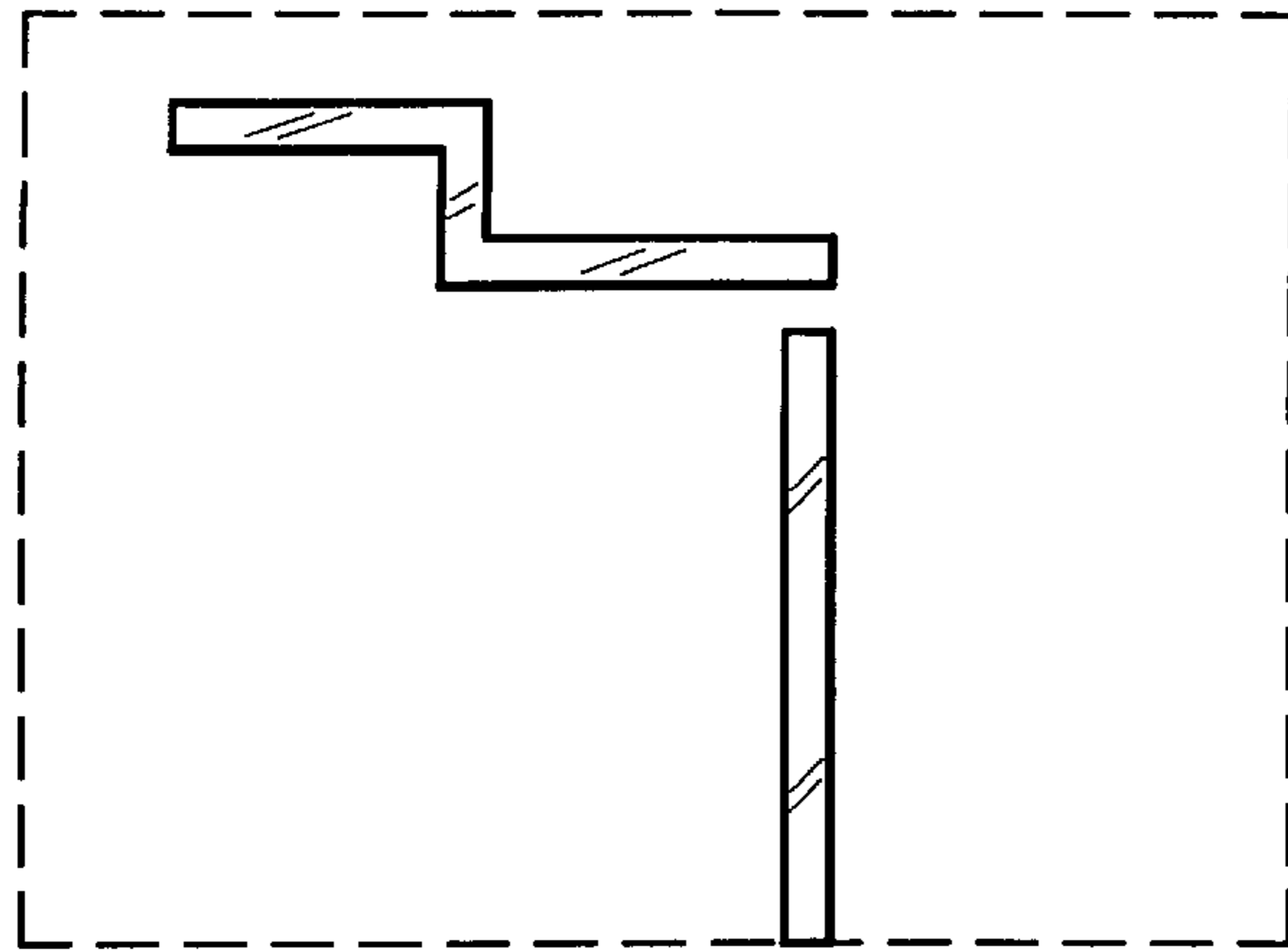


FIG. 1

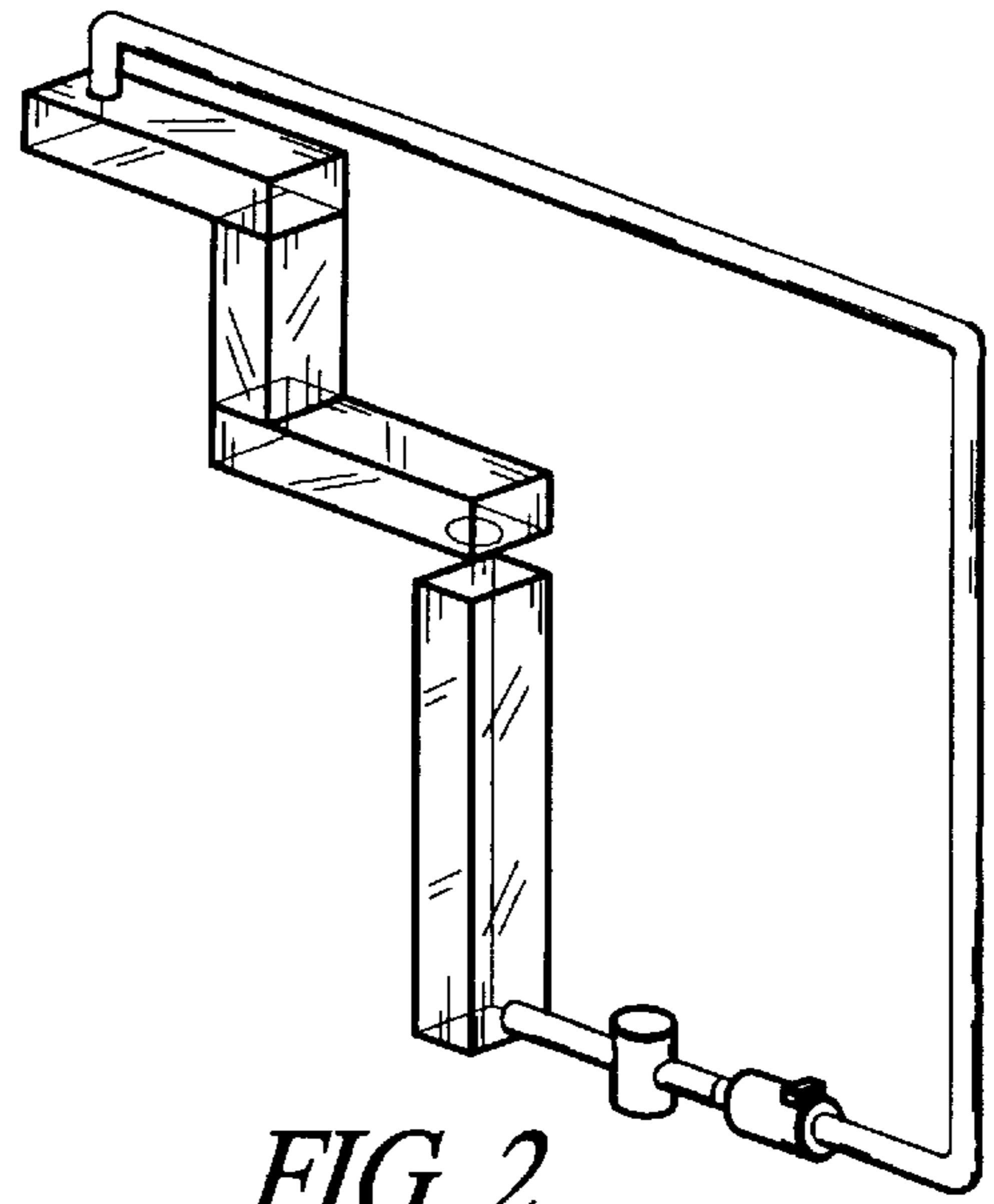


FIG. 2

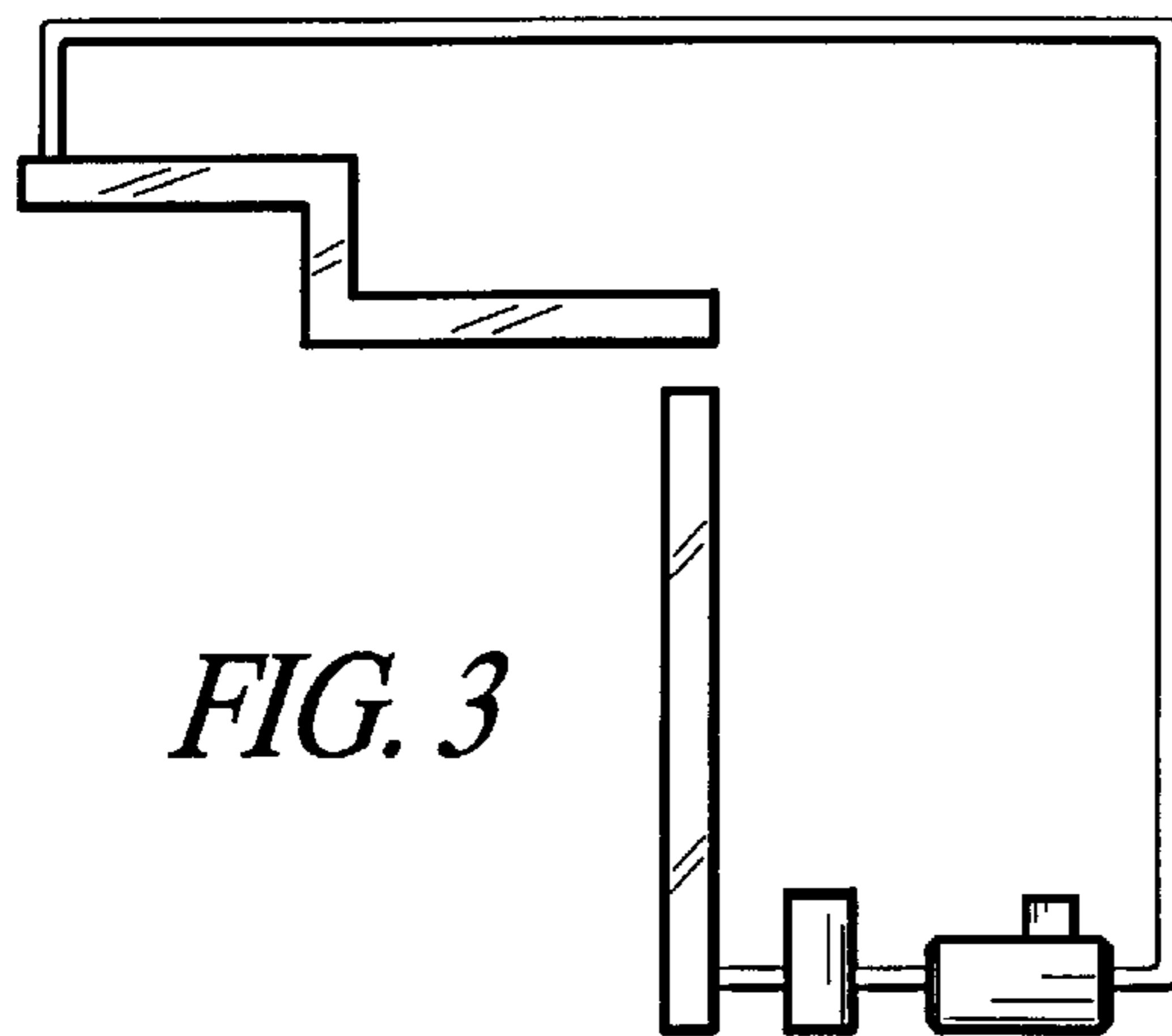


FIG. 3



FIG. 4



FIG. 5



FIG. 6

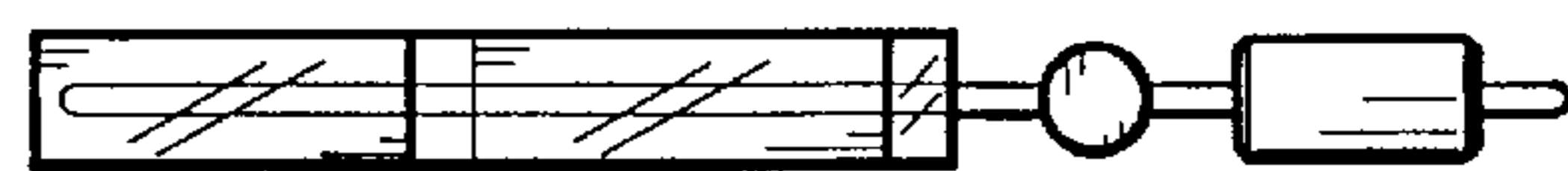


FIG. 7