



US00D423079S

United States Patent [19] Blount

[11] Patent Number: Des. 423,079

[45] Date of Patent: ** Apr. 18, 2000

[54] WATER DISPLAY SYSTEM

5,636,669 6/1997 Price .
5,683,174 11/1997 Lena, Jr. .

[76] Inventor: Stanley L. Blount, 6005 Golden Saddle St., Las Vegas, Nev. 89130

OTHER PUBLICATIONS

U.S. application No. 09/216,889, a utility application filed by the applicant on Dec. 18, 1998.

[**] Term: 14 Years

Primary Examiner—Robin V. Taylor
Attorney, Agent, or Firm—Kenneth L Tolar

[21] Appl. No.: 29/103,325

[22] Filed: Apr. 13, 1999

[57] CLAIM

[51] LOC (6) Cl. 23-01

[52] U.S. Cl. D23/201

[58] Field of Search D23/200, 201;
239/16-20; 40/406, 407, 439

The ornamental design for a water display system, as shown and described.

DESCRIPTION

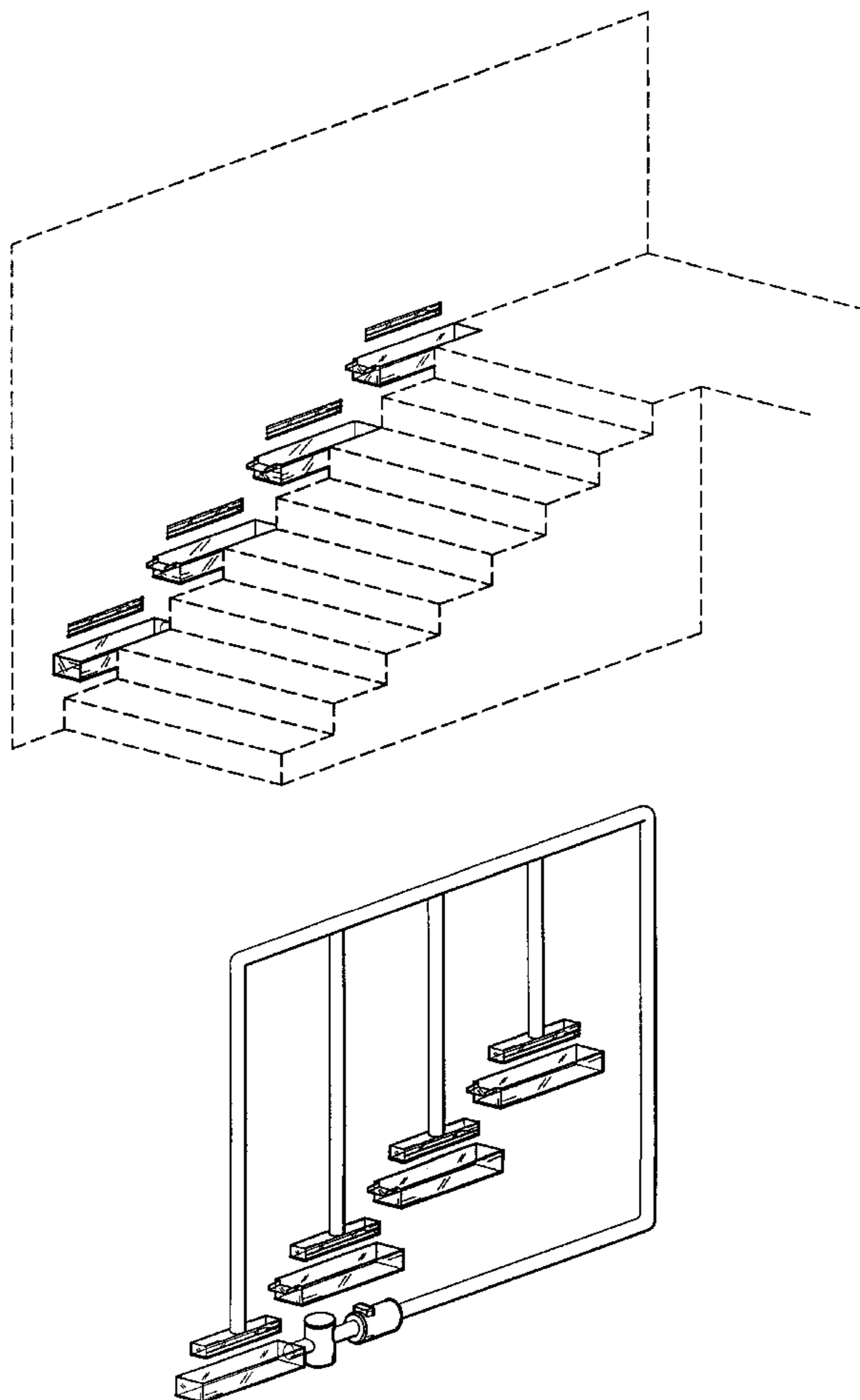
[56] References Cited

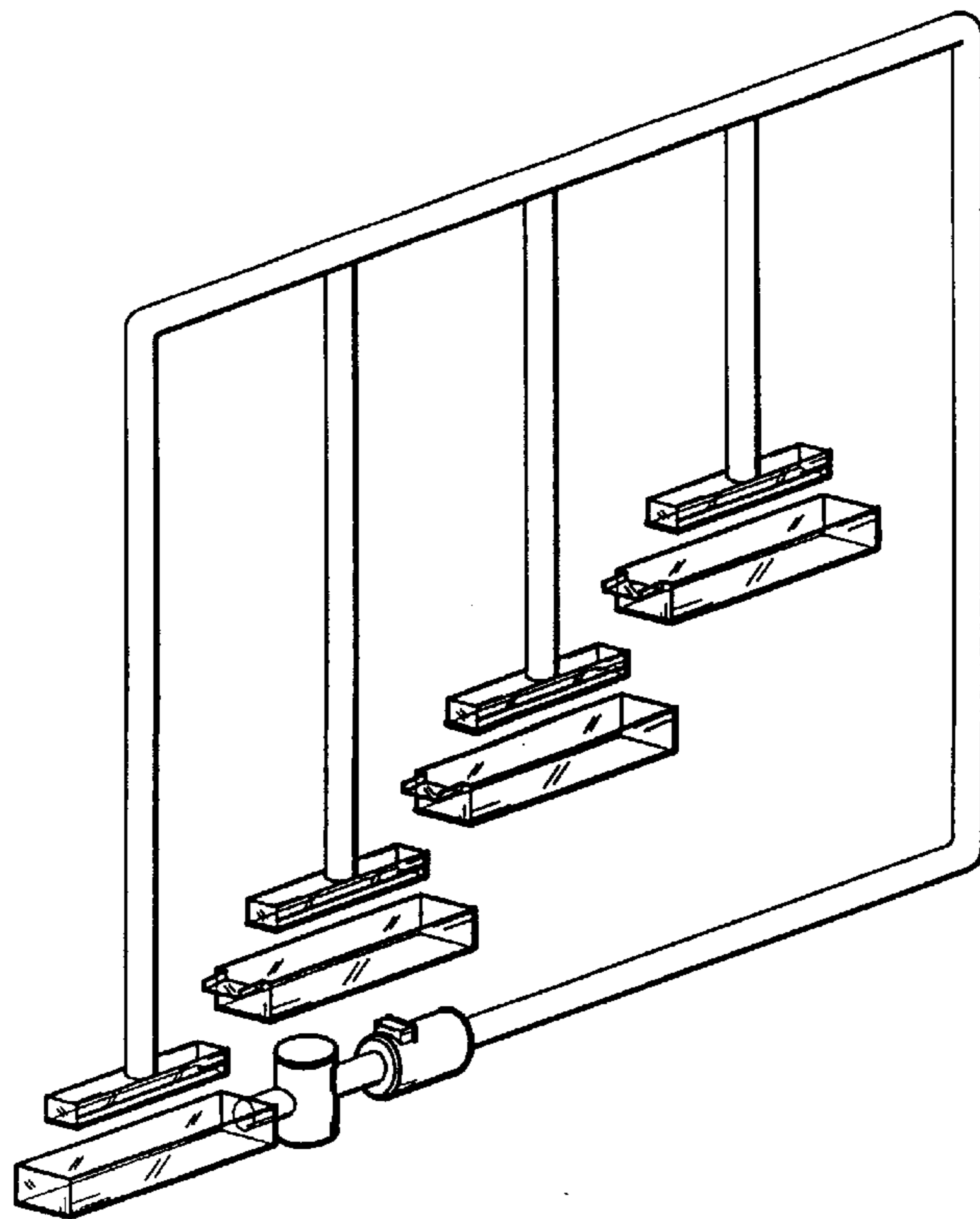
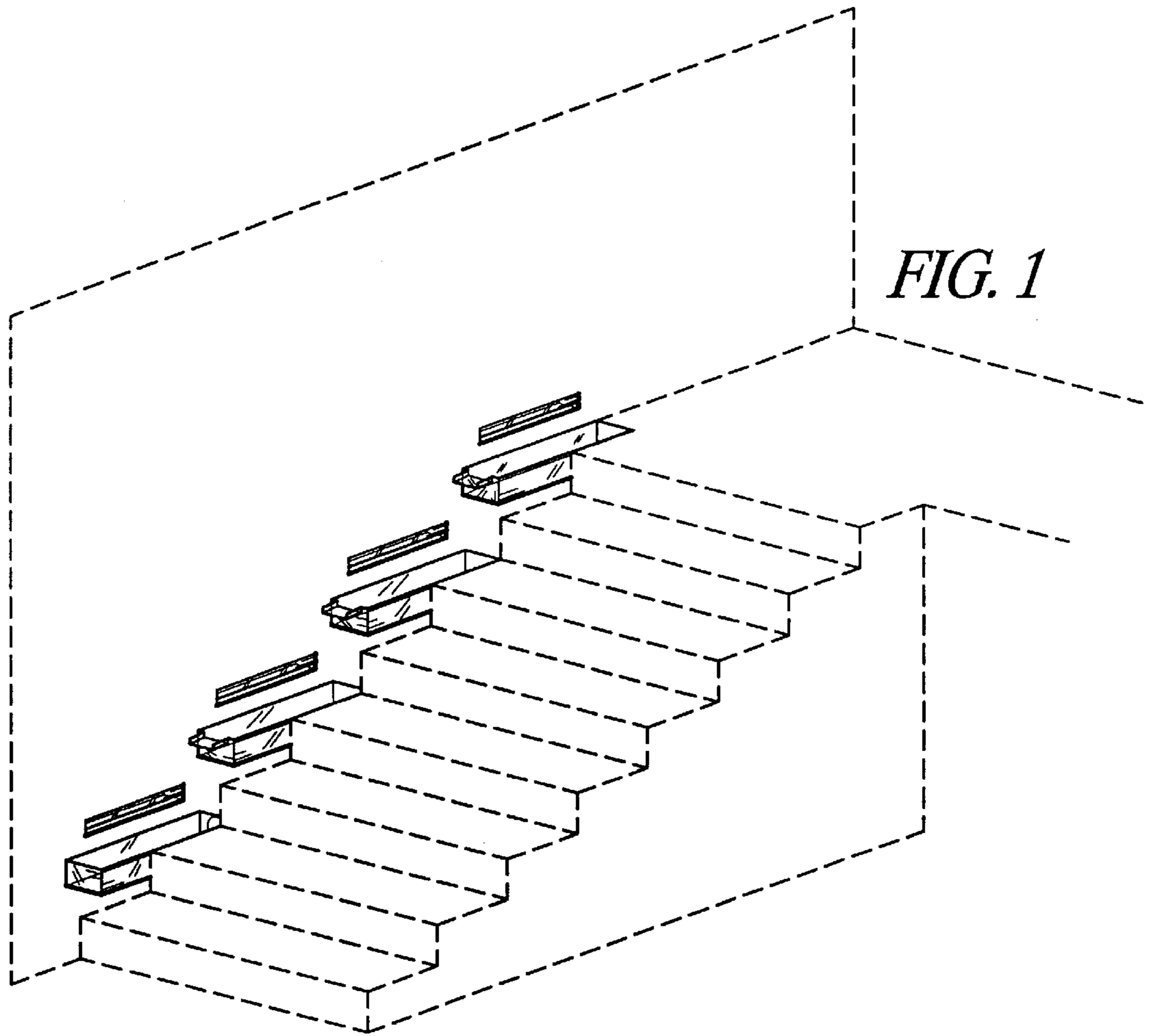
U.S. PATENT DOCUMENTS

D. 192,406	3/1962	Coates	D23/201
D. 394,487	5/1998	Wilson	D23/201
3,644,726	2/1972	Pfeuffer	40/406
4,265,402	5/1981	Tsai	239/20
4,693,025	9/1987	Landin	.	
4,892,250	1/1990	Fuller et al.	239/18
5,106,660	4/1992	Vorel	.	
5,167,993	12/1992	Aoyagi	.	
5,228,225	7/1993	Lee	40/439
5,288,018	2/1994	Chikazumi	239/20
5,363,577	11/1994	Fuller et al.	.	

FIG. 1 is a perspective view of the display system installed within a wall adjacent a staircase with the staircase and wall depicted in phantom and forming no part of the claimed design; the distribution piping is concealed behind the wall. FIG. 2 is a perspective view of the display system. FIG. 3 is a top view of the display system. FIG. 4 is a bottom view of the display system. FIG. 5 is a rear end view of the display system. FIG. 6 is a front end view of the display system. FIG. 7 is a right side view of the display system; and, FIG. 8 is a left side view of the display system.

1 Claim, 3 Drawing Sheets





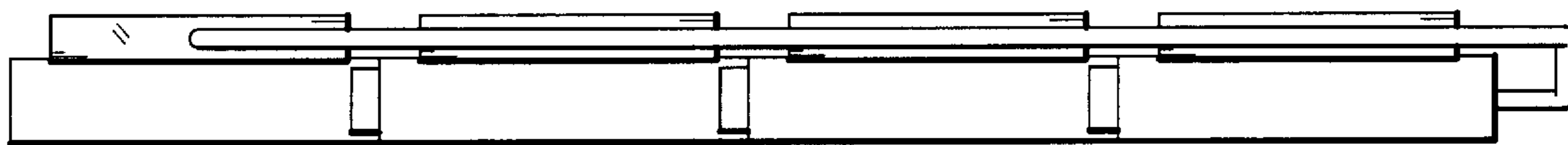


FIG. 3



FIG. 4

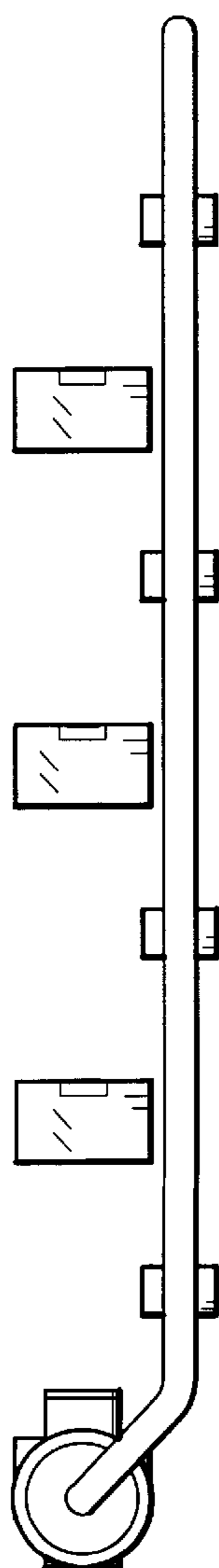


FIG. 5

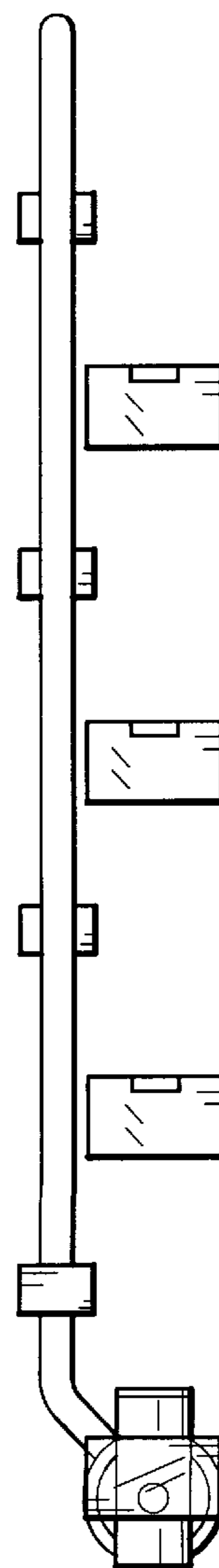


FIG. 6

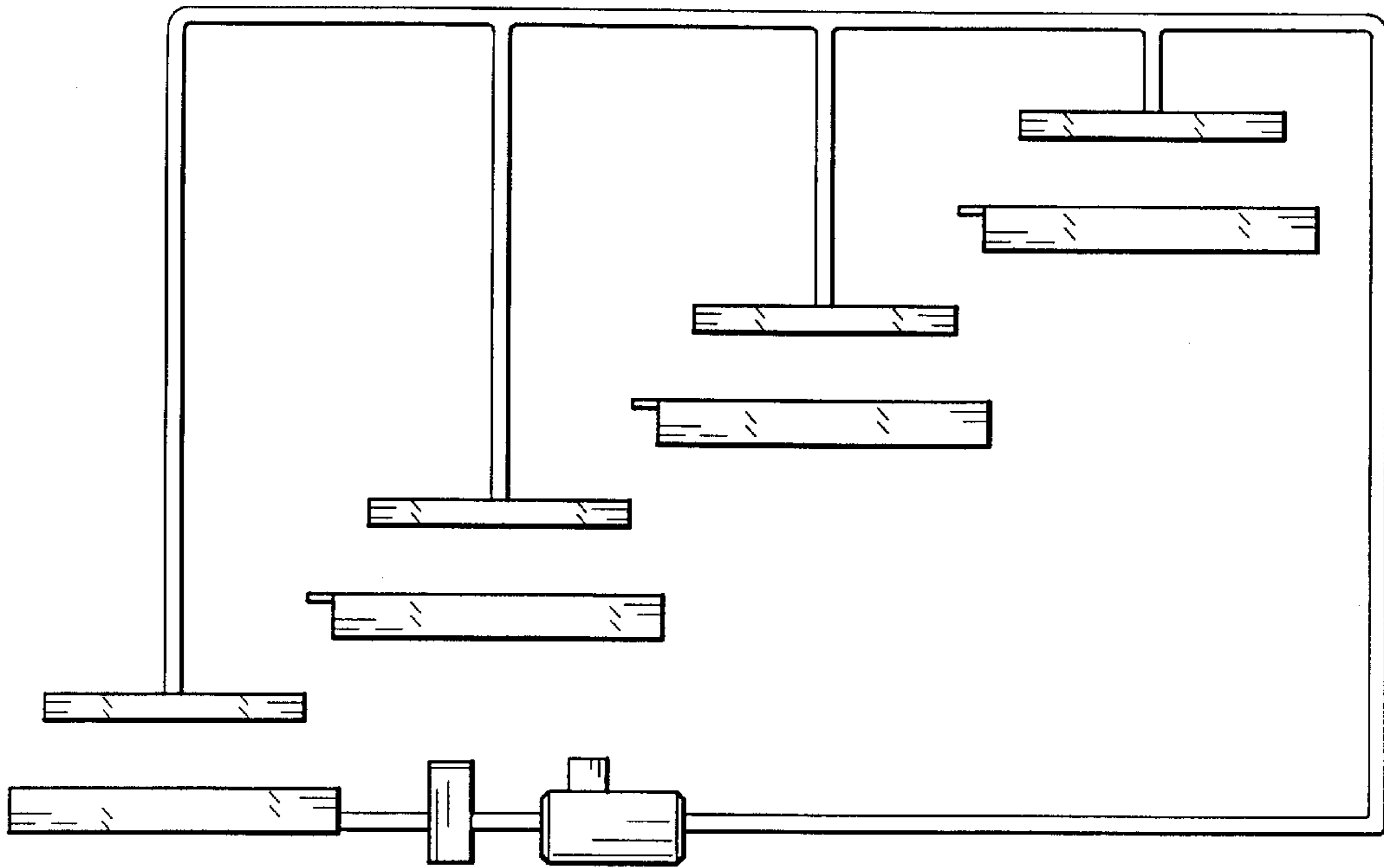


FIG. 7

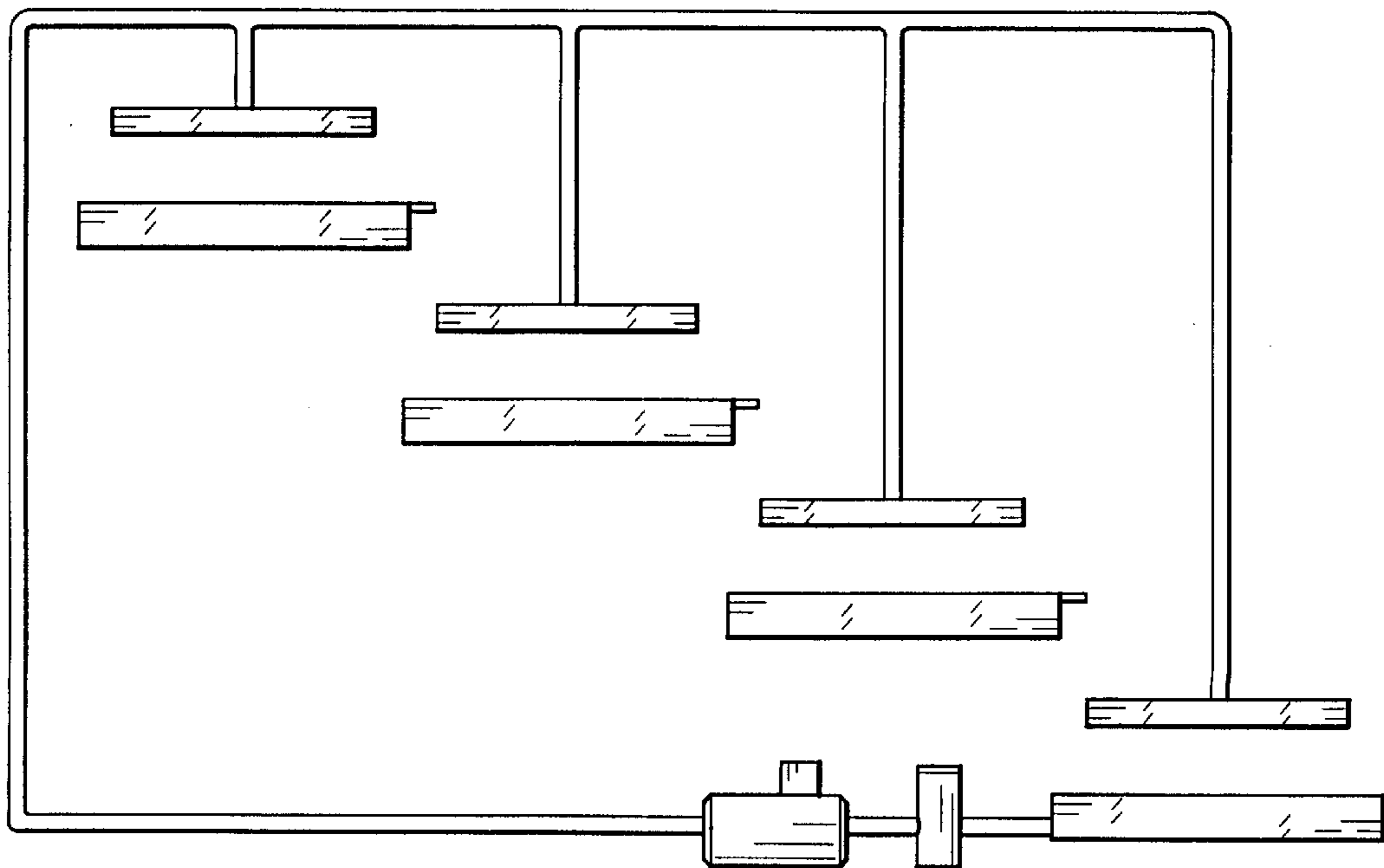


FIG. 8