



US00D423078S

United States Patent [19]
Hammond

[11] **Patent Number: Des. 423,078**

[45] **Date of Patent: ** Apr. 18, 2000**

[54] **LINE THREADER**

Attorney, Agent, or Firm—Thompson E. Fehr

[76] Inventor: **Keith D. Hammond**, 165 E. Summit Dr., Smithfield, Utah 84335

[57] **CLAIM**

[**] Term: **14 Years**

I claim the ornamental design for a line threader, as shown and described

[21] Appl. No.: **29/089,368**

DESCRIPTION

[22] Filed: **Jun. 15, 1998**

FIG. 1 is an isometric view of the line threader showing my new design;

[51] **LOC (6) Cl.** **22-05**

FIG. 2 is a front view thereof;

[52] **U.S. Cl.** **D22/150**

FIG. 3 is a rear view thereof;

[58] **Field of Search** D22/134, 143,
D22/149, 150, 199; 43/1; 29/241; 226/91,
92

FIG. 4 is a side view thereof;

FIG. 5 is an opposite side view thereof;

FIG. 6 is a top view thereof;

FIG. 7 is a bottom view thereof;

[56] **References Cited**

FIG. 8 is a front view thereof in a first alternate position shown on a reduced scale;

U.S. PATENT DOCUMENTS

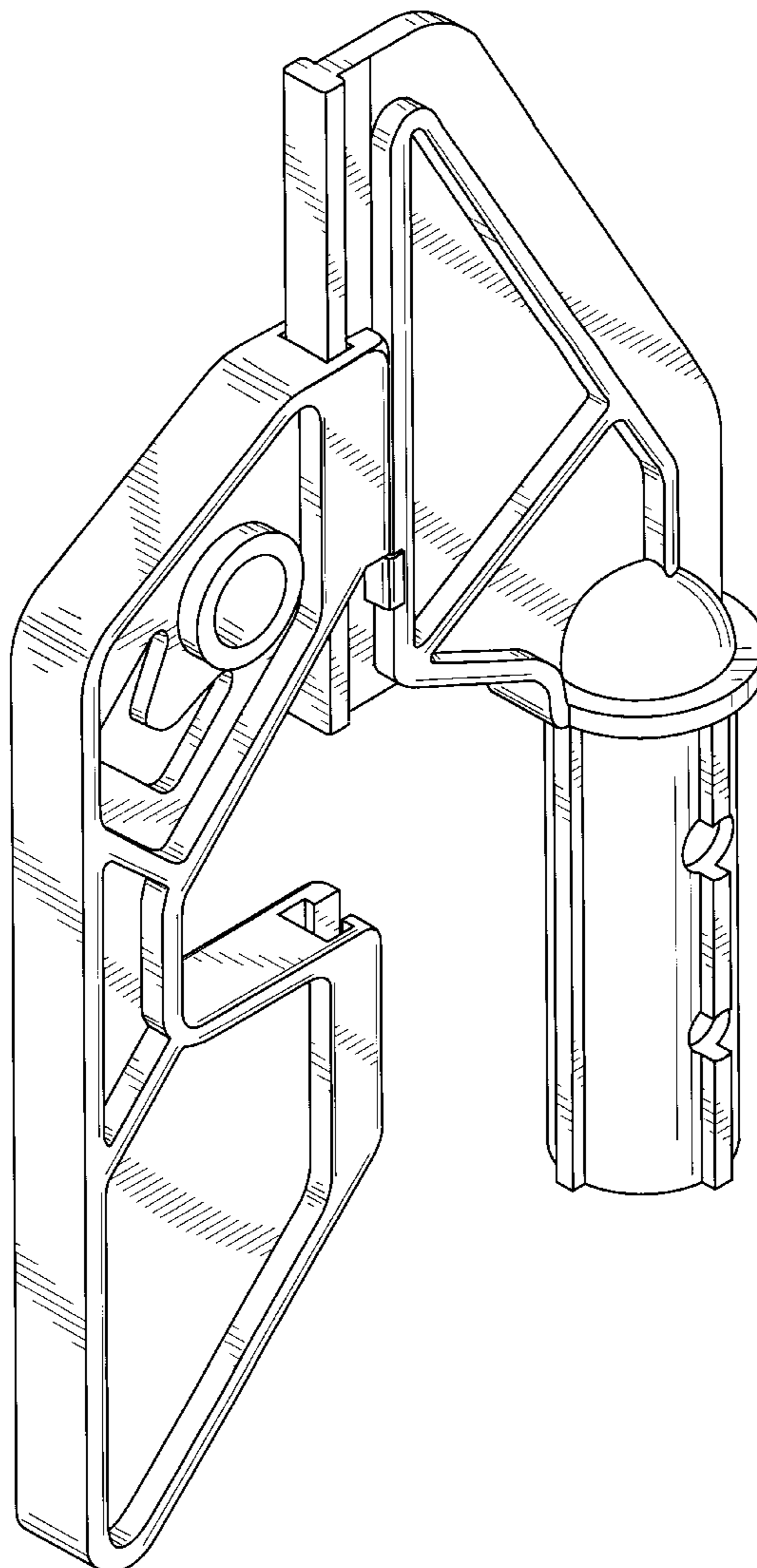
FIG. 9 is a rear view of FIG. 8;

D. 294,630 3/1988 Tupper D22/143
4,593,447 6/1986 Tupper 43/1

FIG. 10 is a front view thereof shown in a second alternate position.

Primary Examiner—Louis S. Zarfes
Assistant Examiner—Inga-Maria Hyttinen

1 Claim, 8 Drawing Sheets



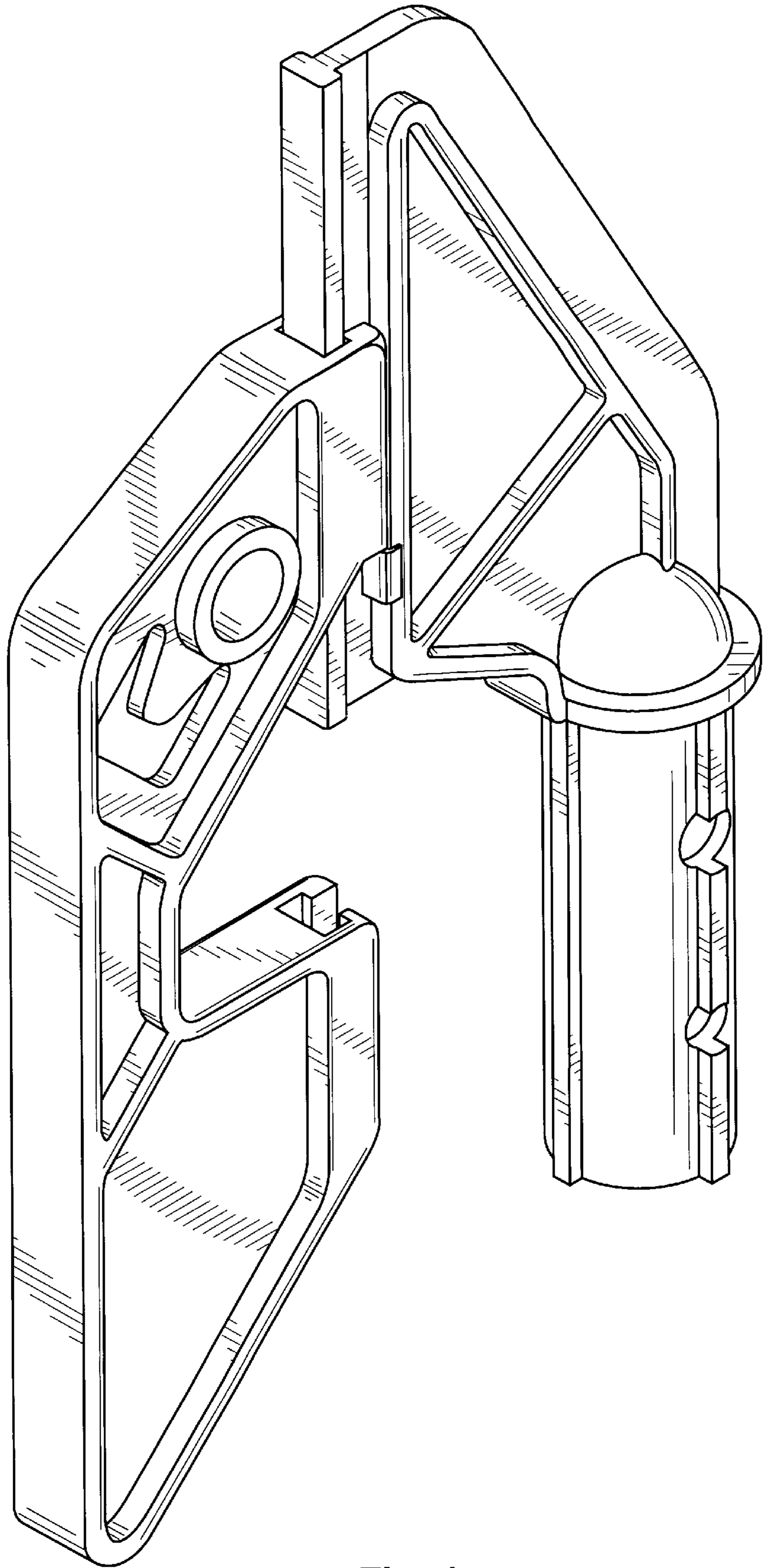


Fig. 1

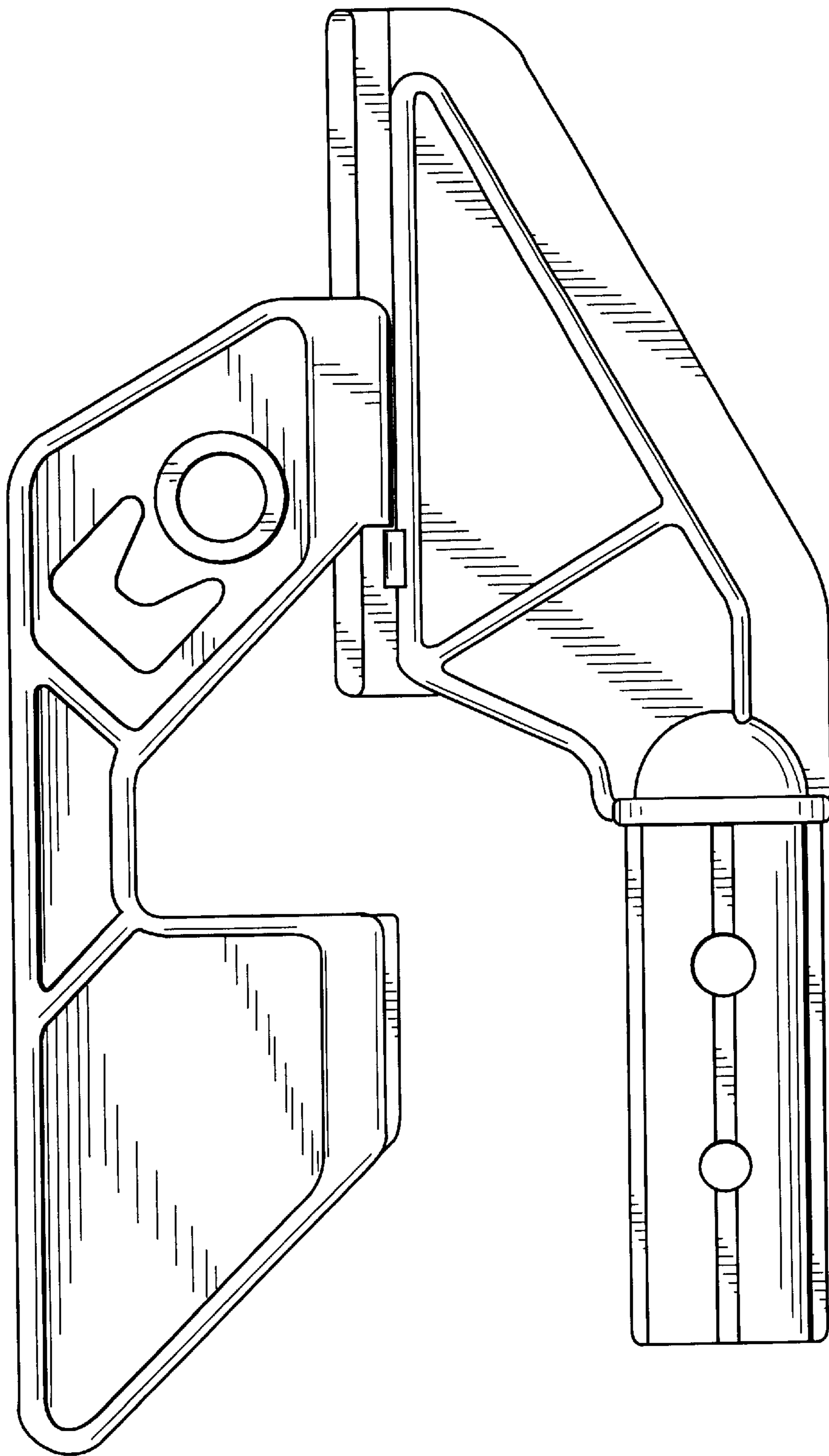


Fig. 2

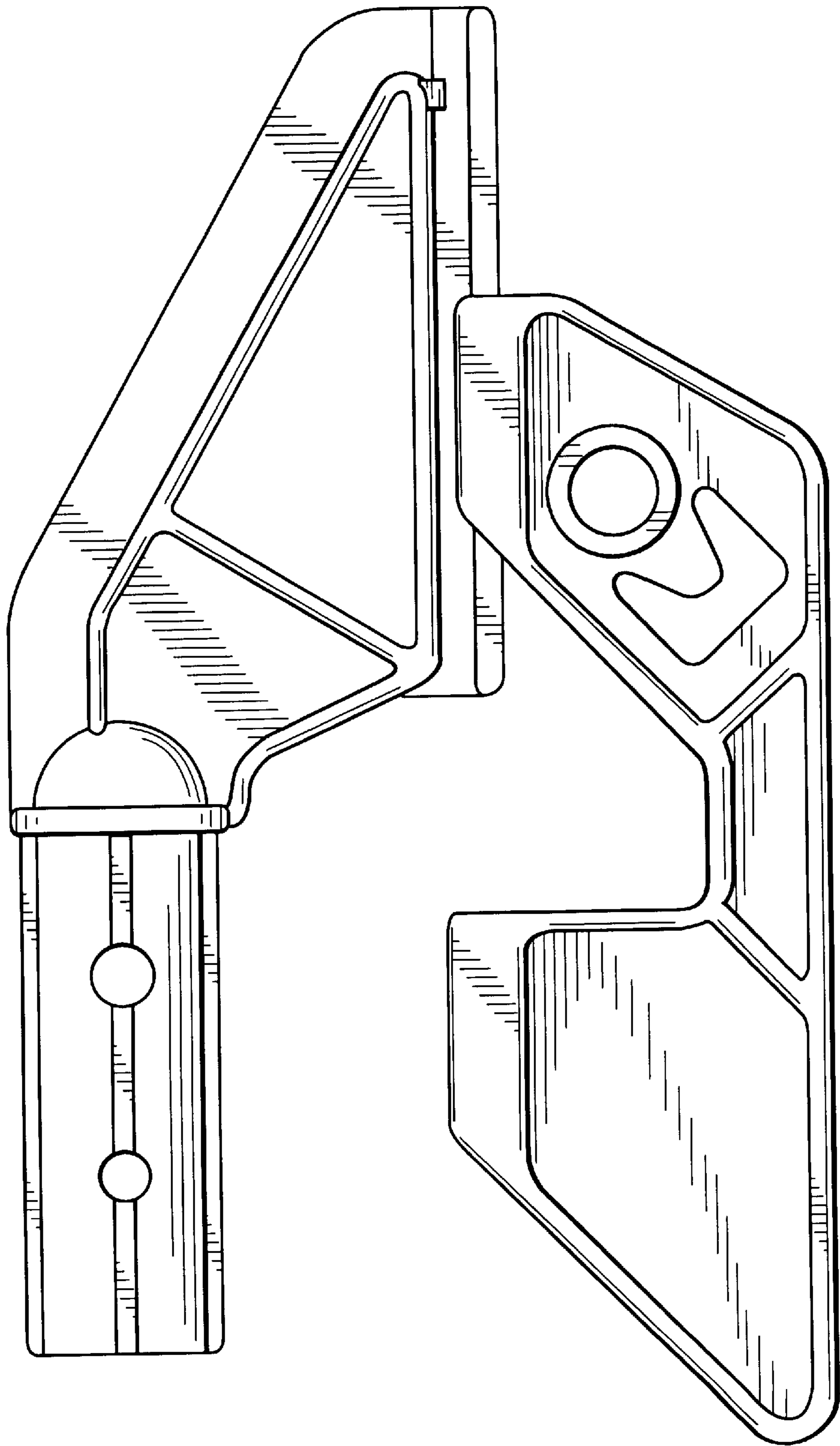


Fig. 3

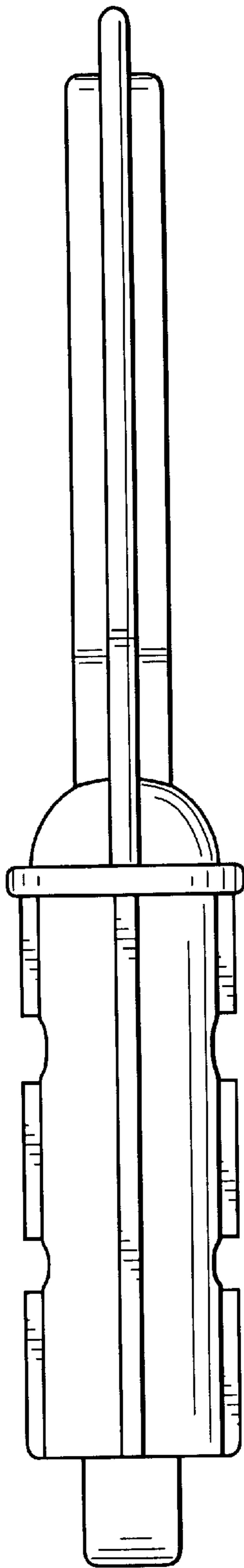


Fig. 4

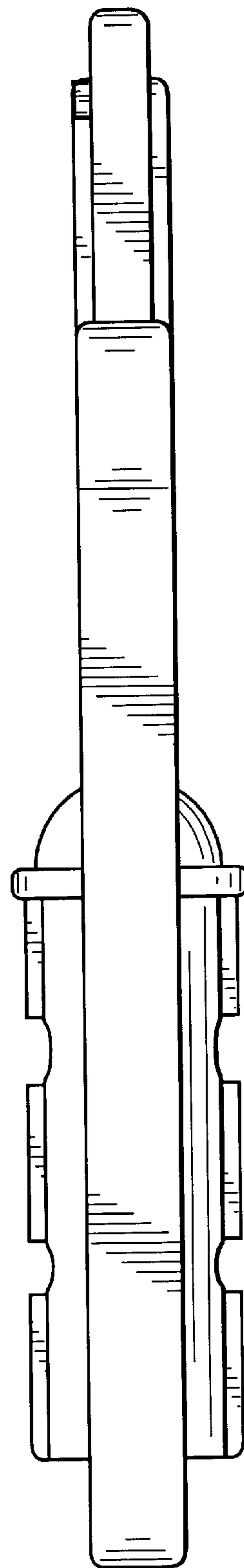


Fig. 5

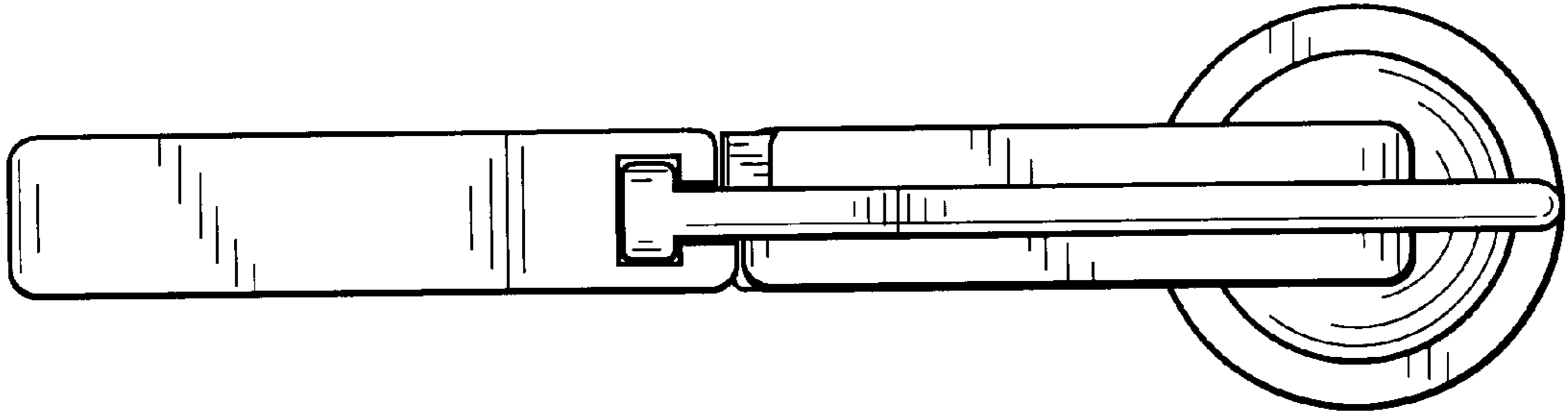


Fig. 6

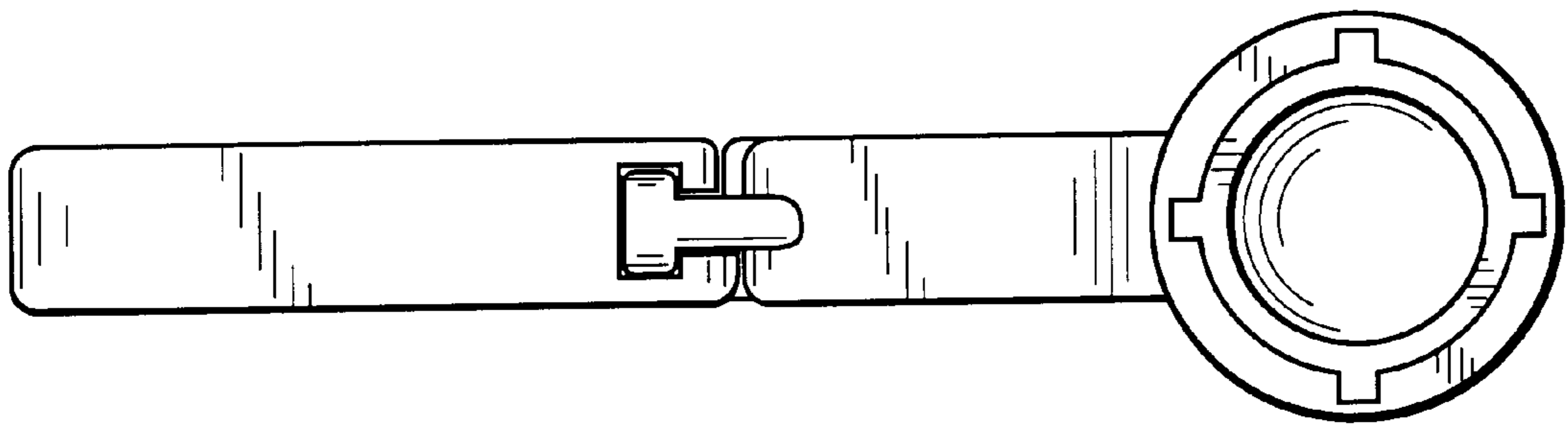


Fig. 7

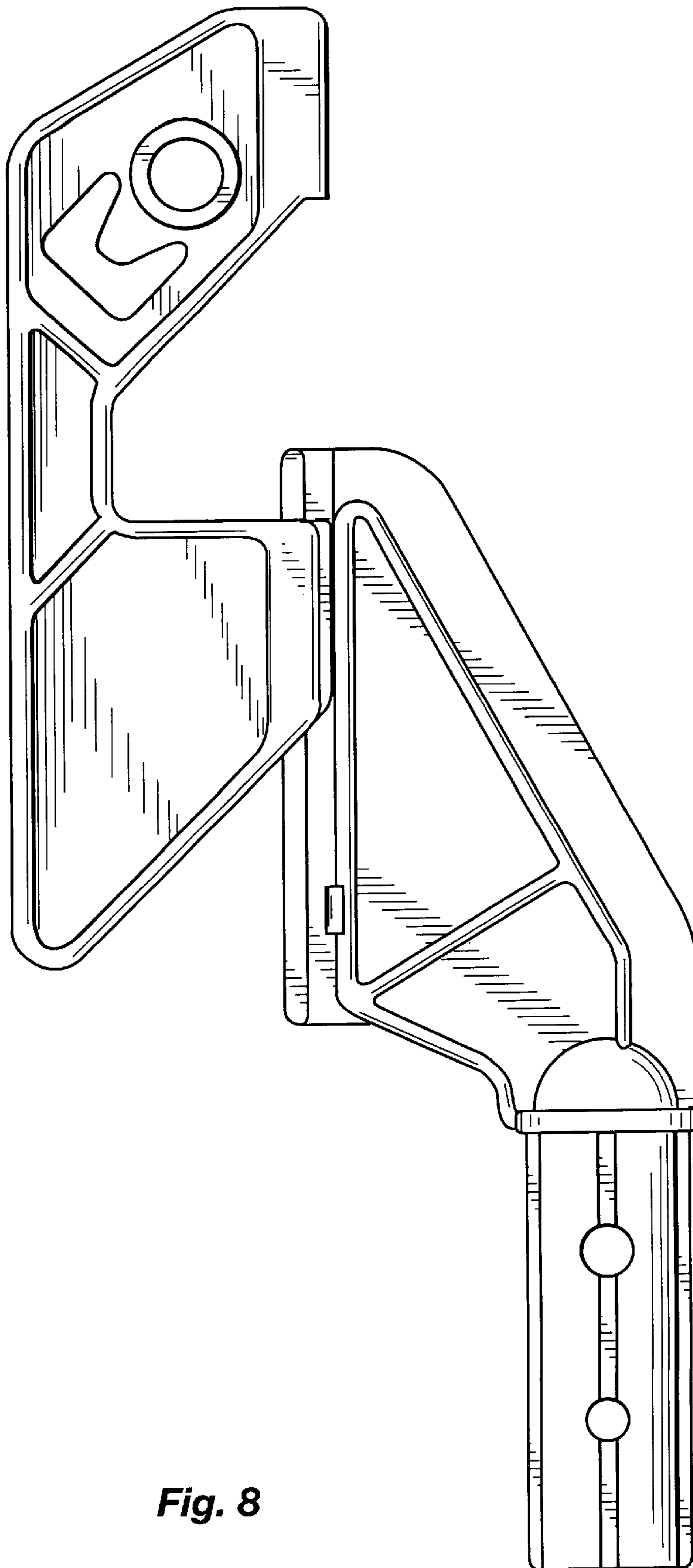


Fig. 8

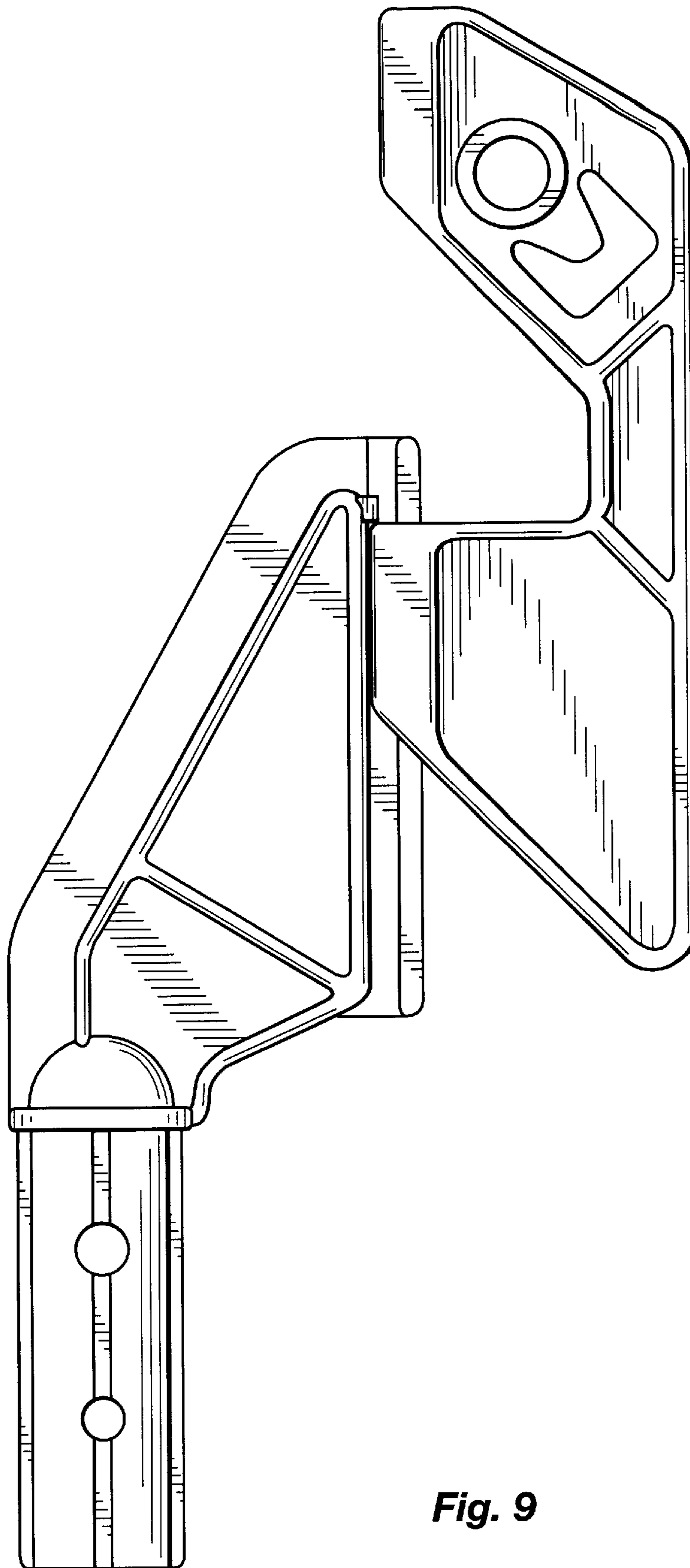


Fig. 9

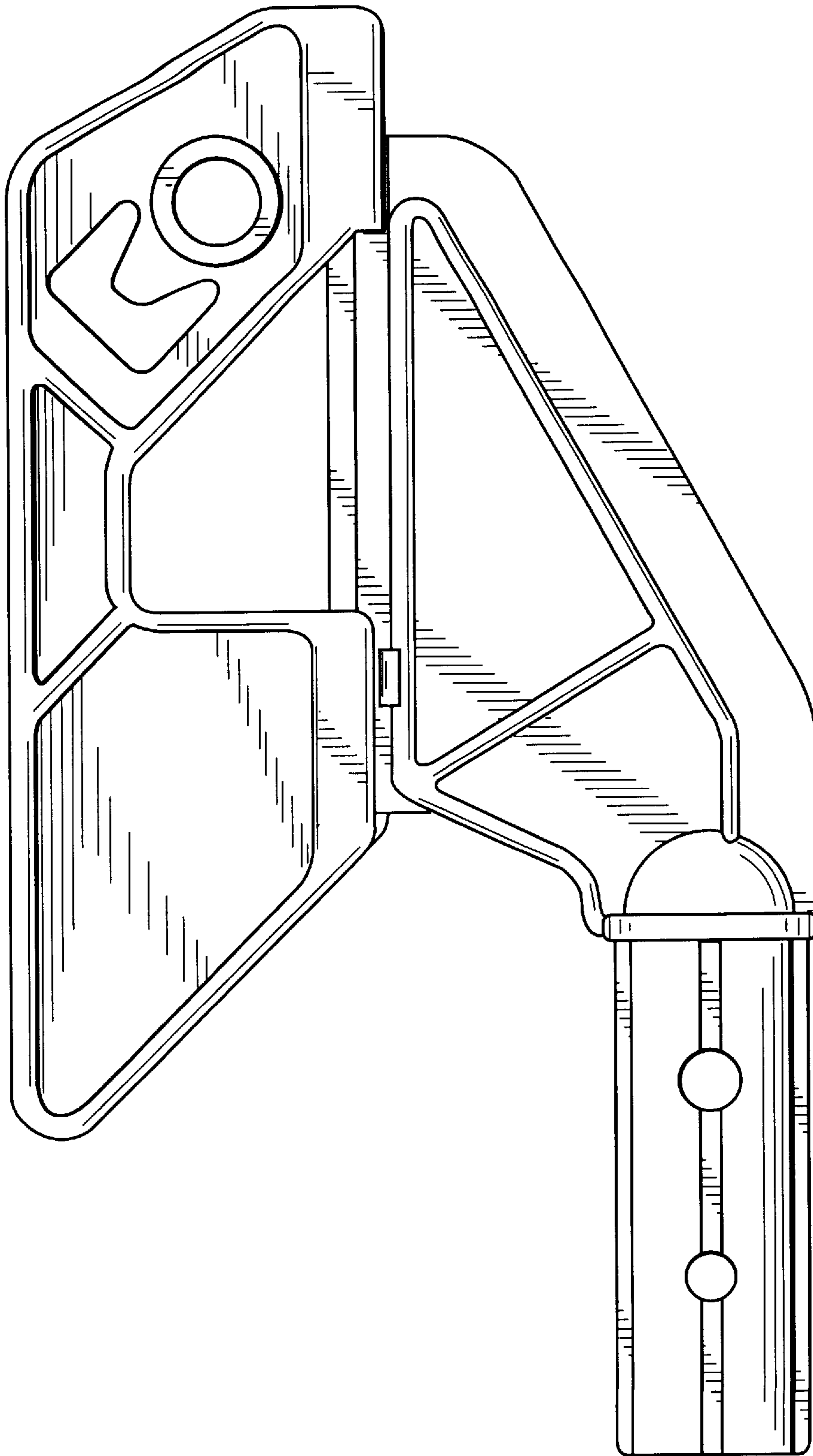


Fig. 10