



US00D423077S

United States Patent [19]
Kobayashi

[11] **Patent Number: Des. 423,077**

[45] **Date of Patent: ** Apr. 18, 2000**

DESCRIPTION

[54] **LINE GUIDE FOR A FISHING REEL**

[75] Inventor: **Mikiharu Kobayashi**, Higashikurume,
Japan

[73] Assignee: **Daiwa Seiko, Inc.**, Tokyo, Japan

[**] Term: **14 Years**

[21] Appl. No.: **29/106,787**

[22] Filed: **Jun. 23, 1999**

[30] **Foreign Application Priority Data**

Dec. 24, 1998 [JP] Japan 10-37540

[51] **LOC (6) Cl.** **22-05**

[52] **U.S. Cl.** **D22/143**

[58] **Field of Search** D22/143, 139,
D22/138, 137; 43/24, 25

[56] **References Cited**

U.S. PATENT DOCUMENTS

D. 393,044 3/1998 Ohmura D22/143
D. 407,460 3/1999 Ohmura D22/143
D. 409,713 5/1999 Ohmura D22/143

Primary Examiner—Louis S. Zarfes
Assistant Examiner—Inga-Maria Hyttinen
Attorney, Agent, or Firm—Sughrue, Mion, Zinn, Macpeak
& Seas, PLLC

[57] **CLAIM**

The ornamental design for a line guide for a fishing reel, as shown and described.

FIG. 1 is a perspective view of the front and right side of a line guide for a fishing reel showing my new design according to a first embodiment;
FIG. 2 is a top plan thereof;
FIG. 3 is a bottom plan view thereof;
FIG. 4 is a front elevational view thereof;
FIG. 5 is a right side elevational view thereof;
FIG. 6 is a rear elevational view thereof;
FIG. 7 is a left side elevational view thereof;
FIG. 8 is a perspective view of the front and right side of a line guide for a fishing reel according to a second embodiment;
FIG. 9 is a top plan view thereof;
FIG. 10 is a bottom plan view thereof;
FIG. 11 is a front elevational view thereof;
FIG. 12 is a right side elevational view thereof;
FIG. 13 is a rear elevational view thereof;
FIG. 14 is a left side elevational view thereof;
FIG. 15 is a perspective view of the front and right side of a line guide for a fishing reel according to a third embodiment;
FIG. 16 is a top plan view thereof;
FIG. 17 is a bottom plan view thereof;
FIG. 18 is a front elevational view thereof;
FIG. 19 is a right side elevational view thereof;
FIG. 20 is a rear elevational view thereof;
FIG. 21 is a left side elevational view thereof;
FIG. 22 is a perspective view of the front and right side of a line guide for a fishing reel according to a fourth embodiment;
FIG. 23 is a top plan view thereof;
FIG. 24 is bottom plan view thereof;
FIG. 25 is a front elevational view thereof;
FIG. 26 is a right side elevational view thereof;
FIG. 27 is a rear elevational view thereof; and,
FIG. 28 is a left side elevational view thereof.
The elements shown in phantom lines in the drawings do not form any part of the claimed design.

1 Claim, 4 Drawing Sheets

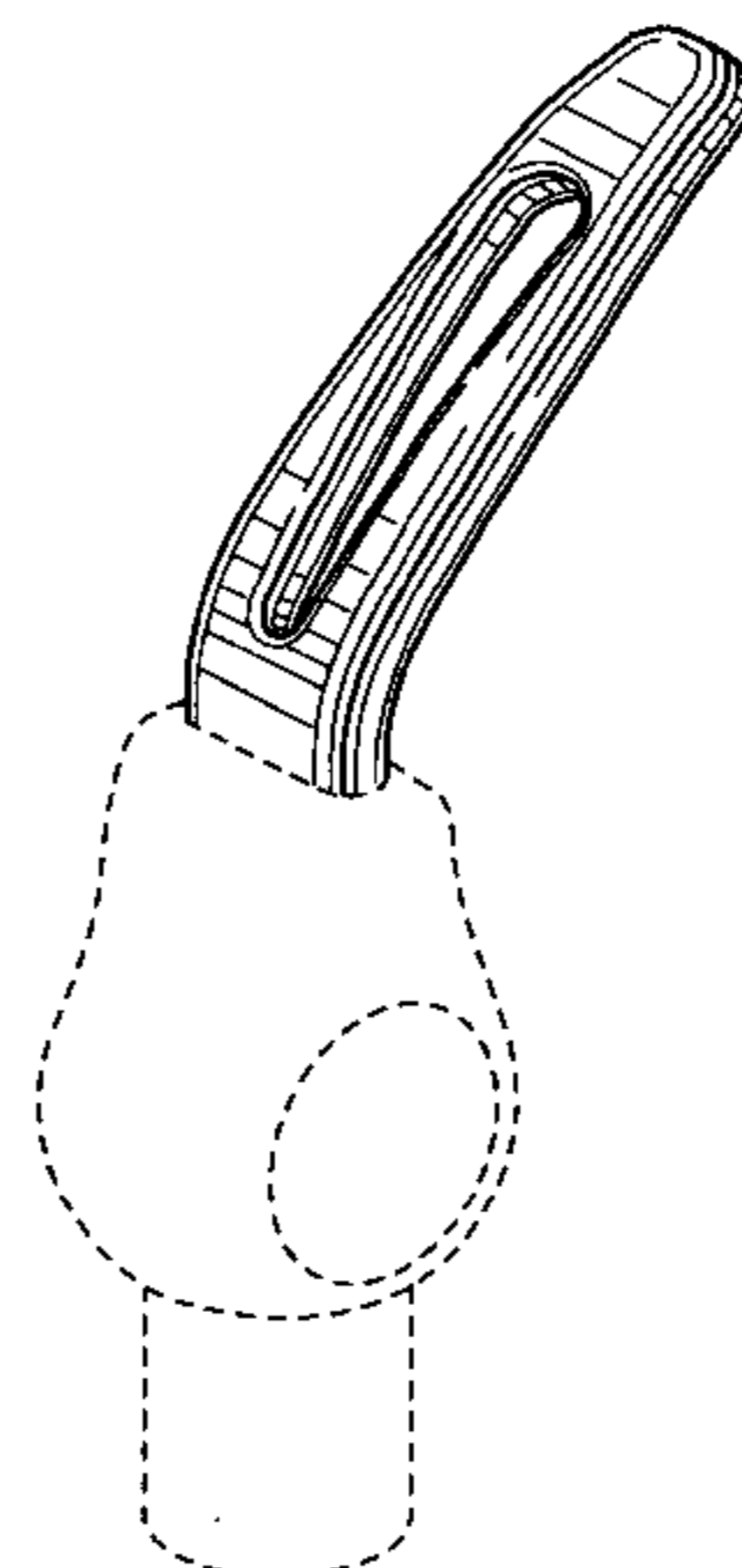


FIG. 1

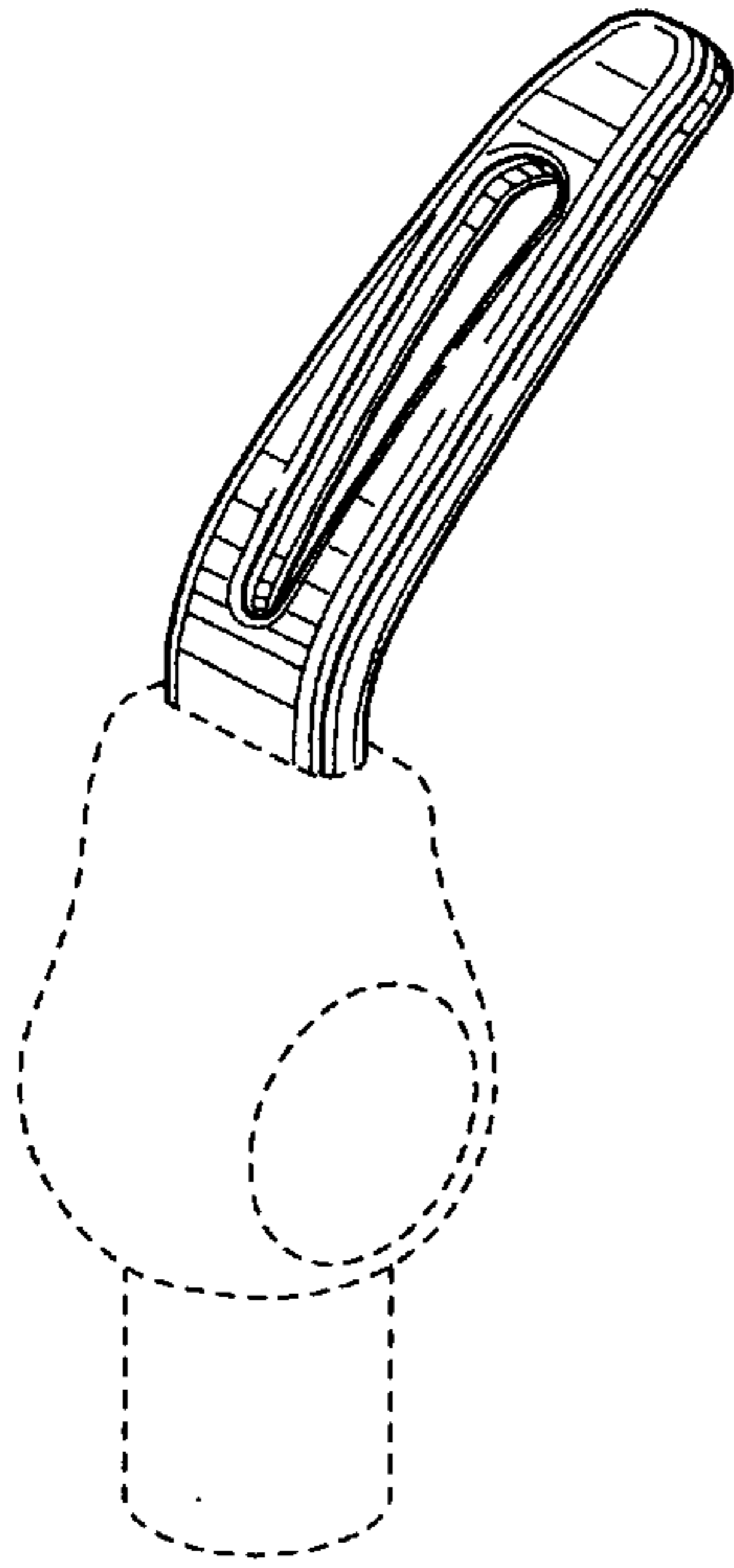


FIG. 2

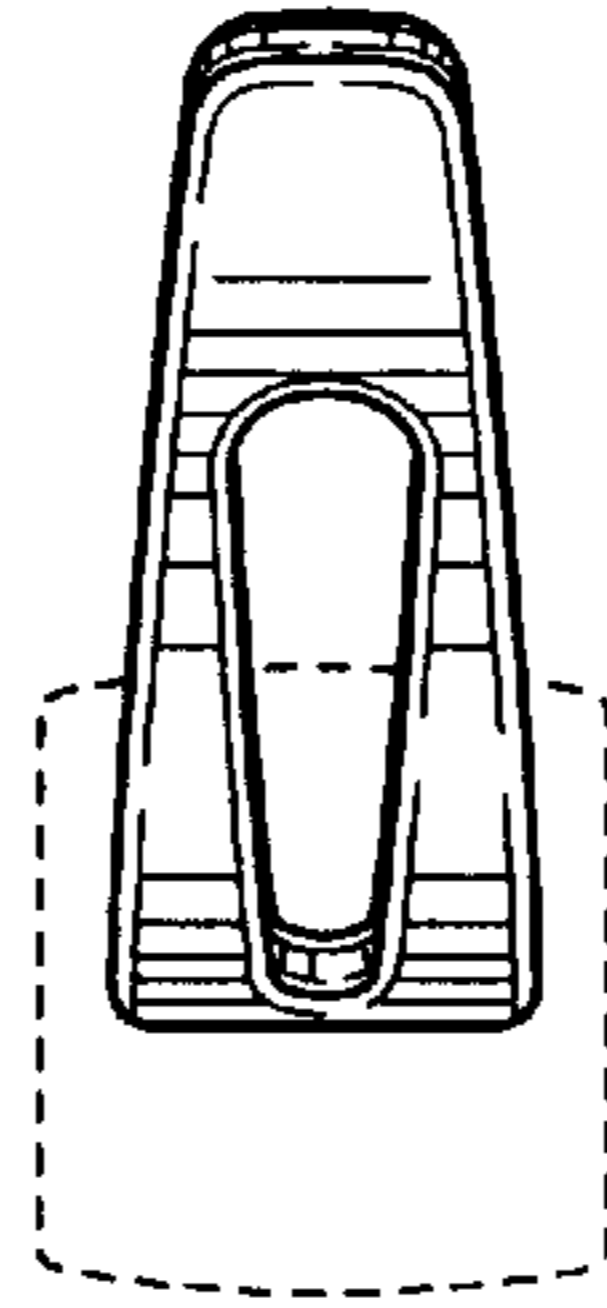


FIG. 3

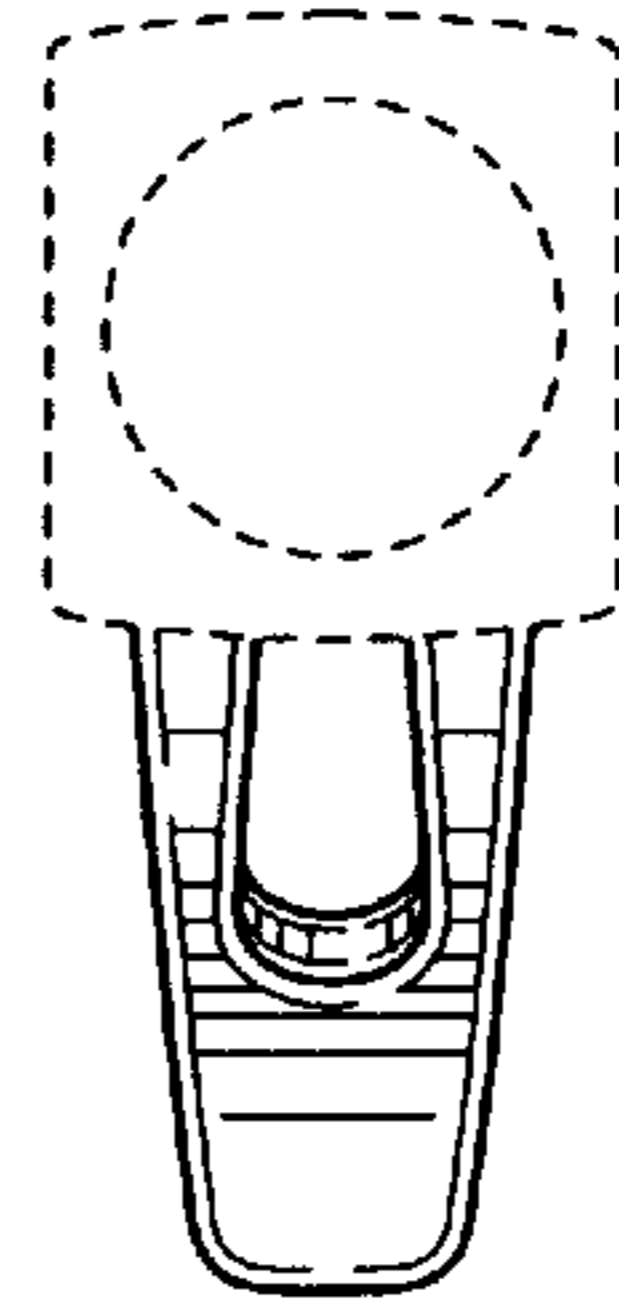


FIG. 4

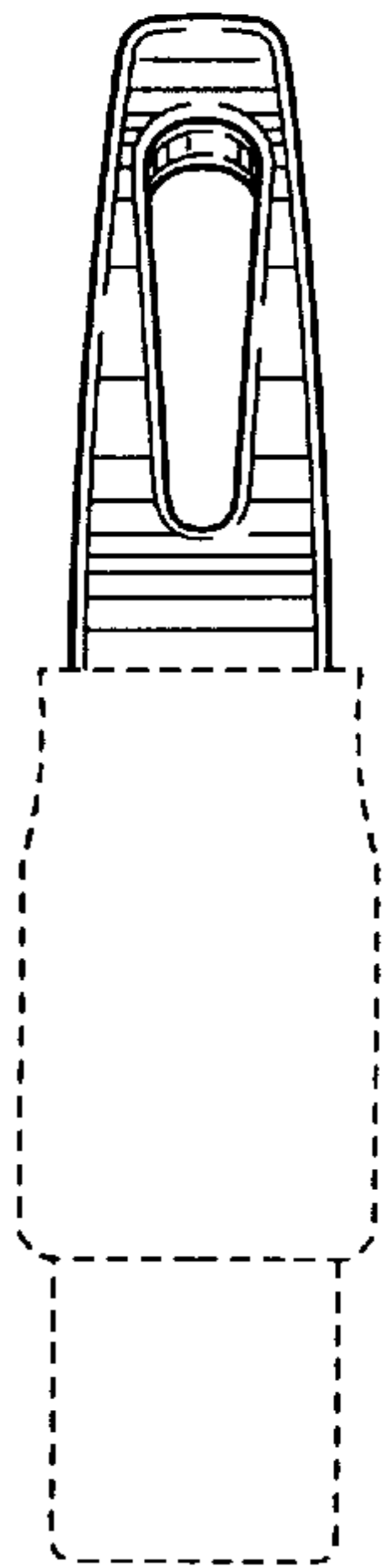


FIG. 5

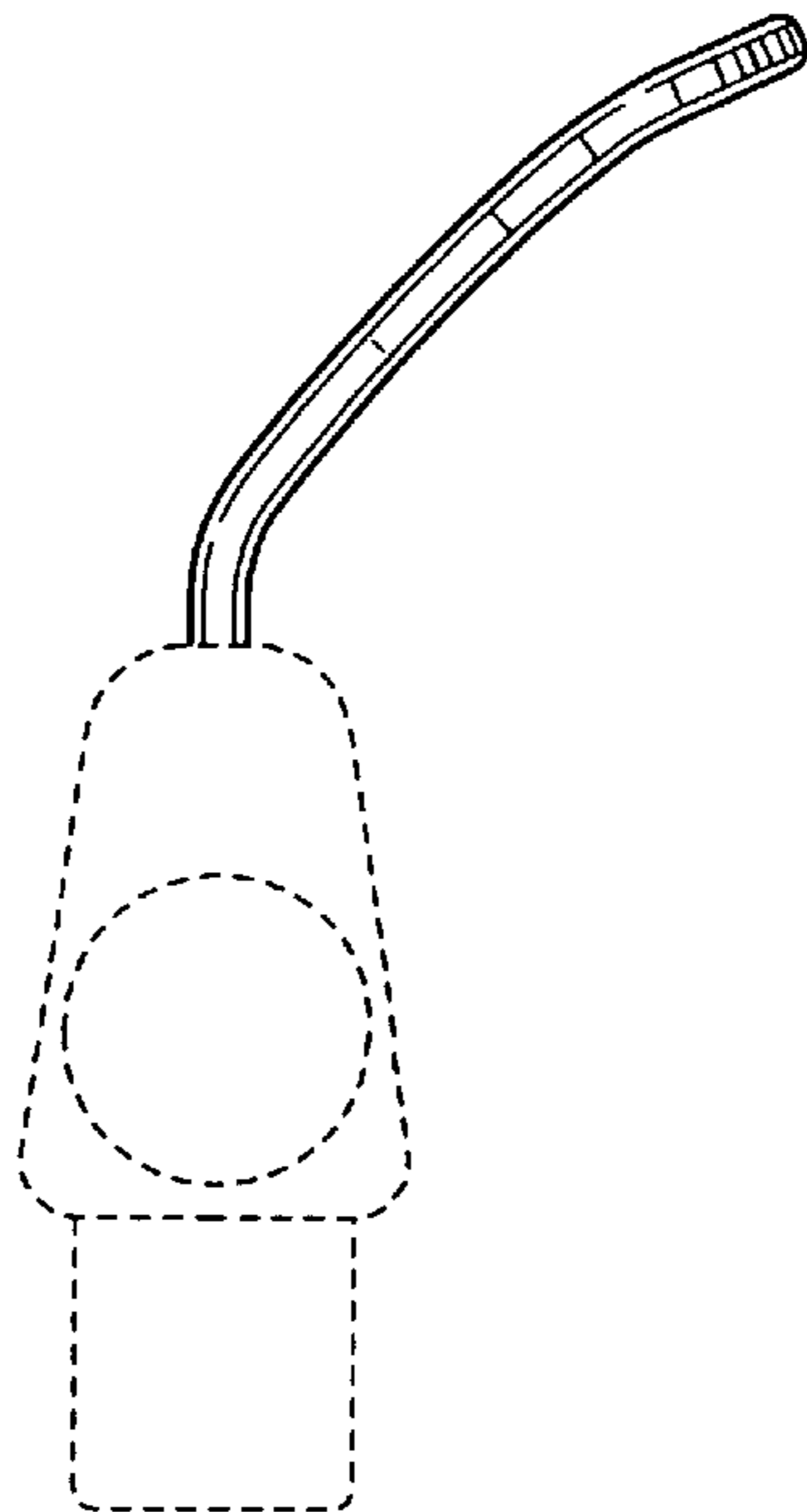


FIG. 6

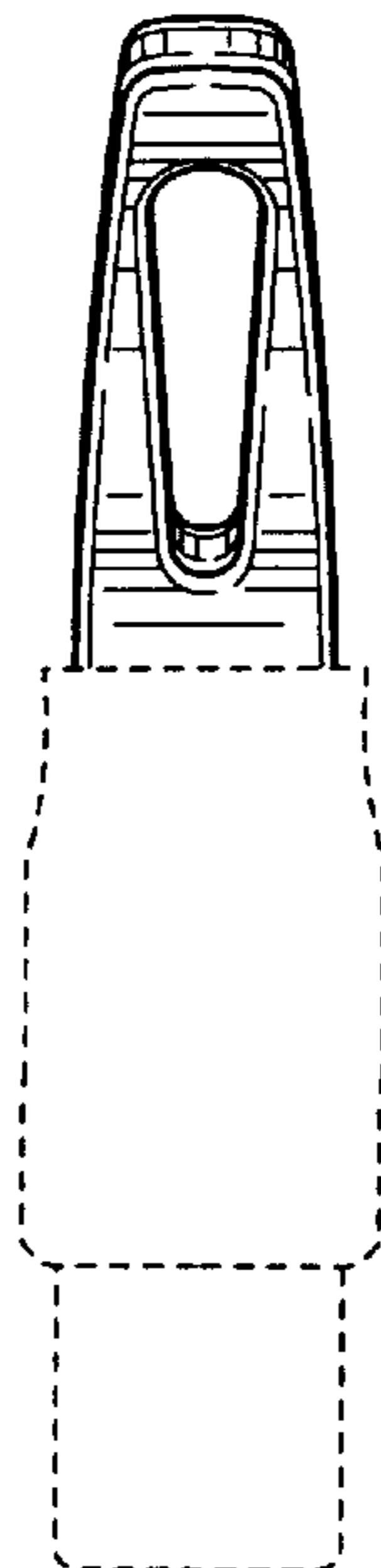


FIG. 7

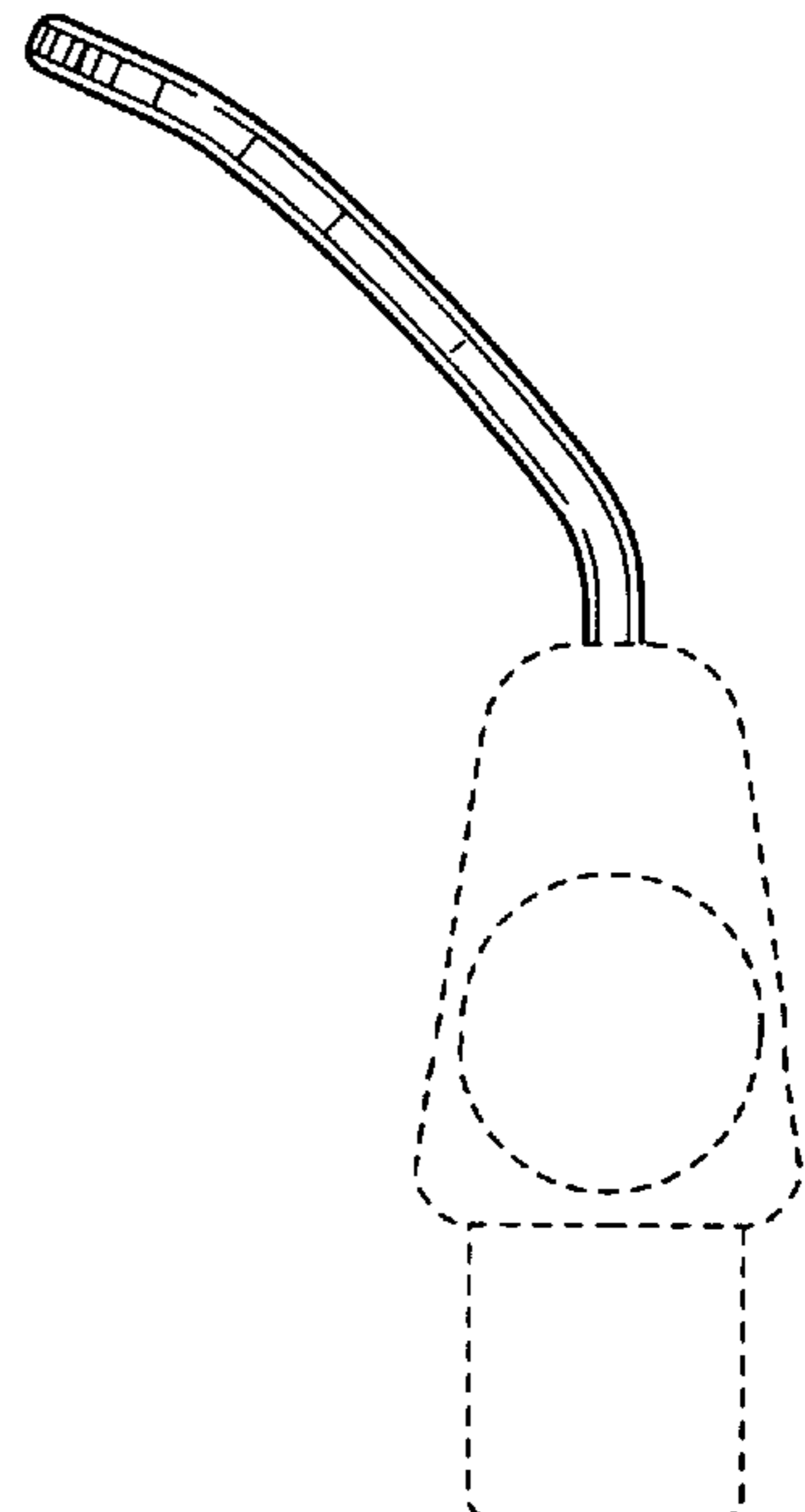


FIG. 8

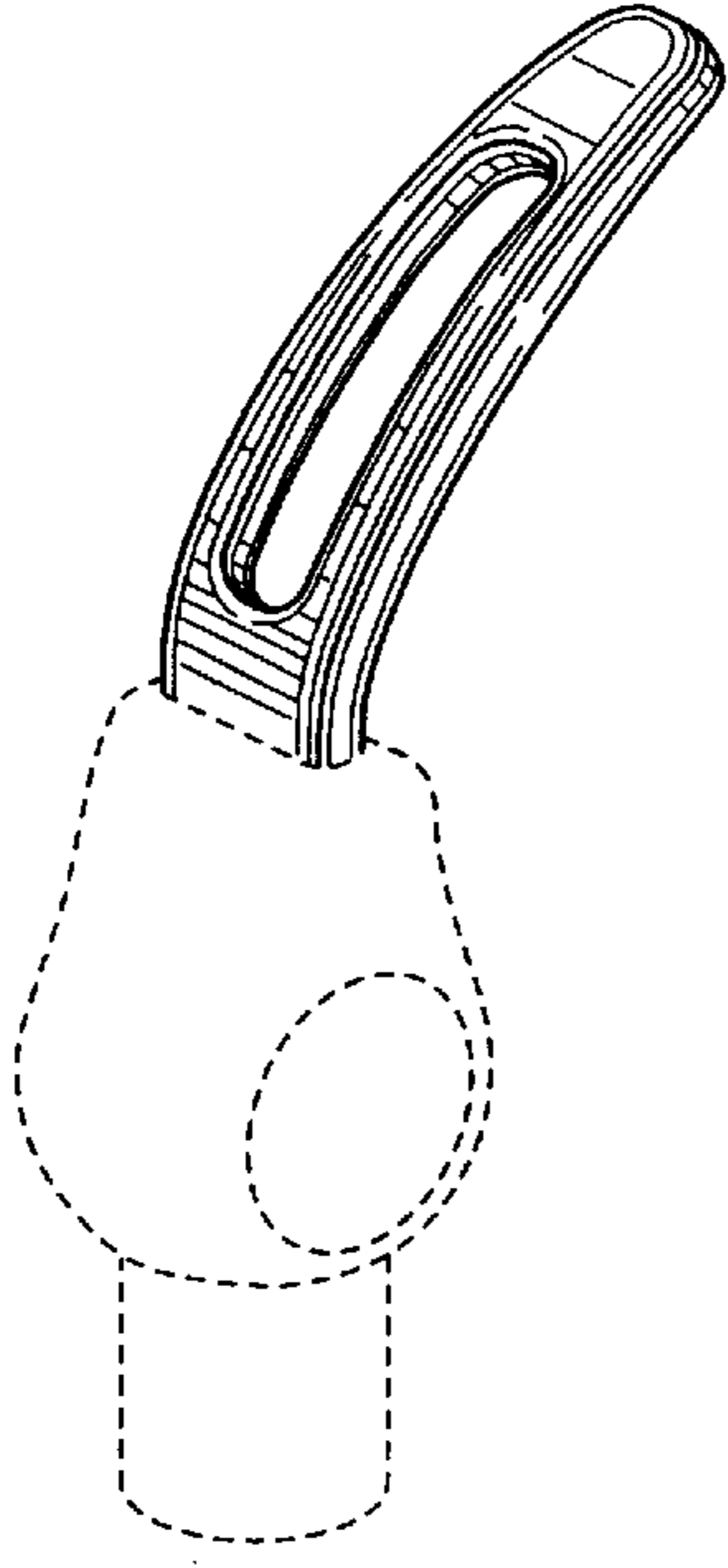


FIG. 9

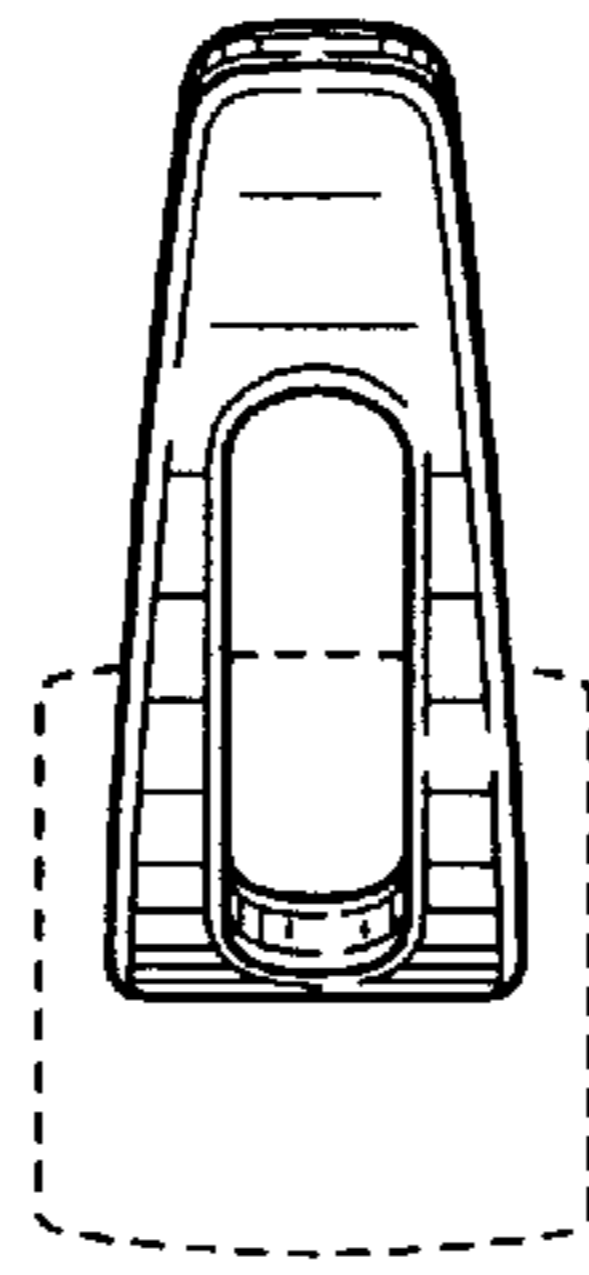


FIG. 10

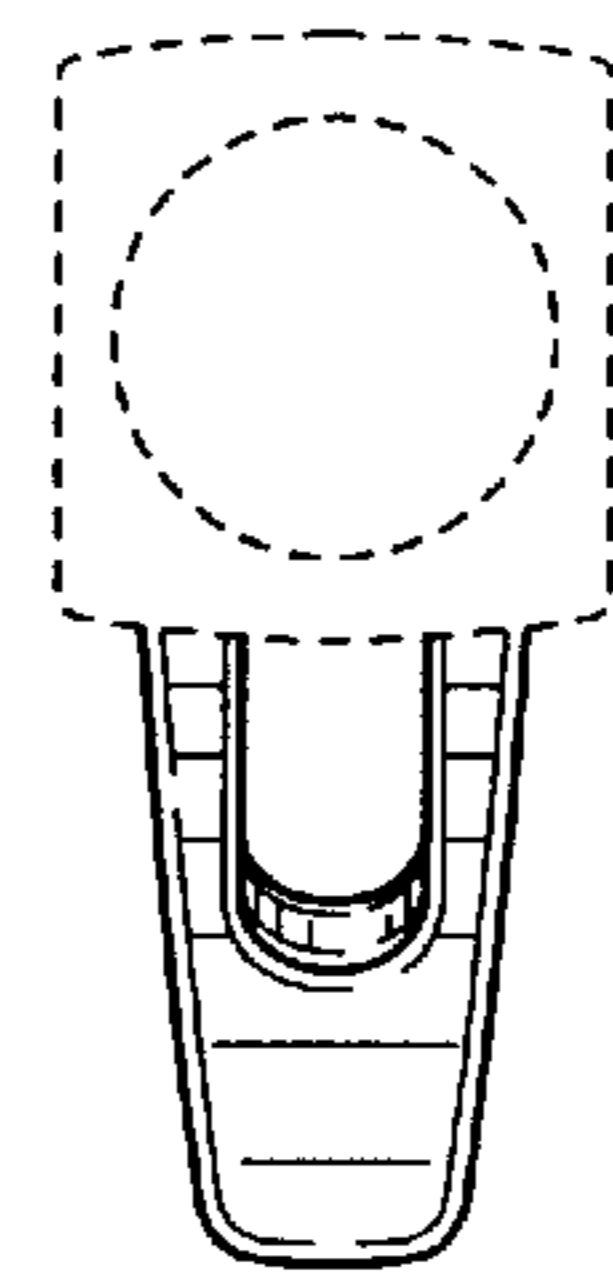


FIG. 11

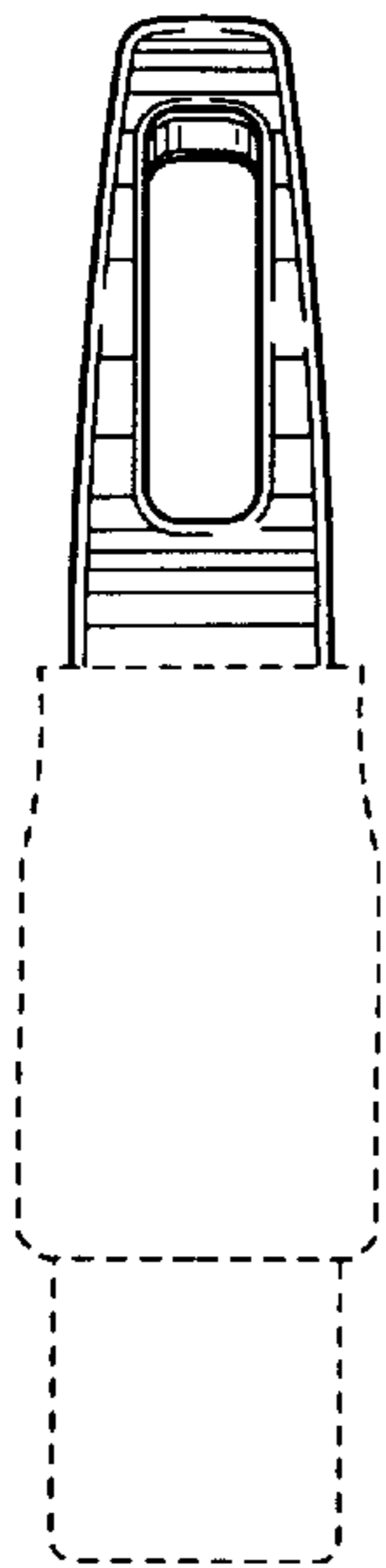


FIG. 12

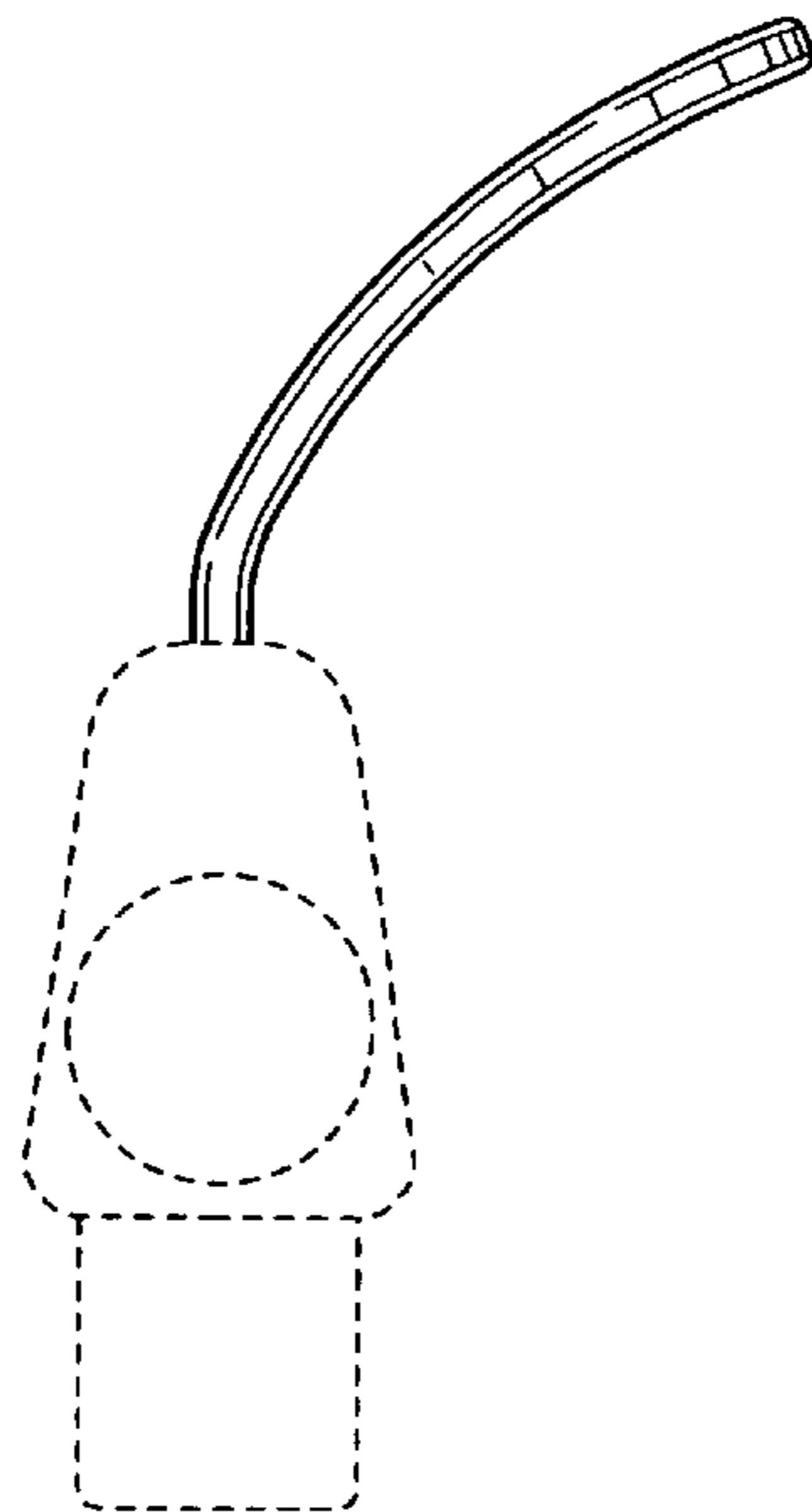


FIG. 13

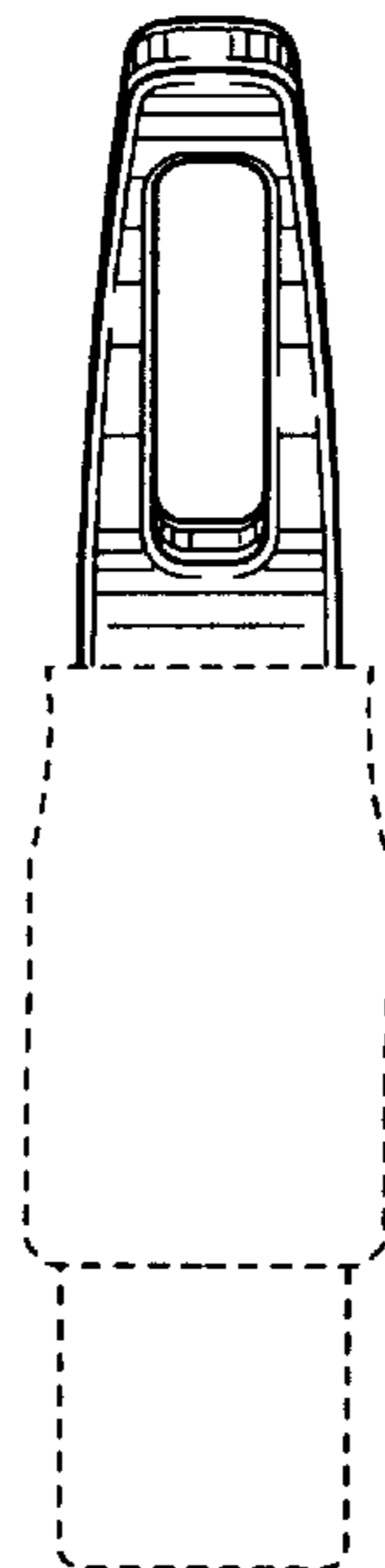


FIG. 14

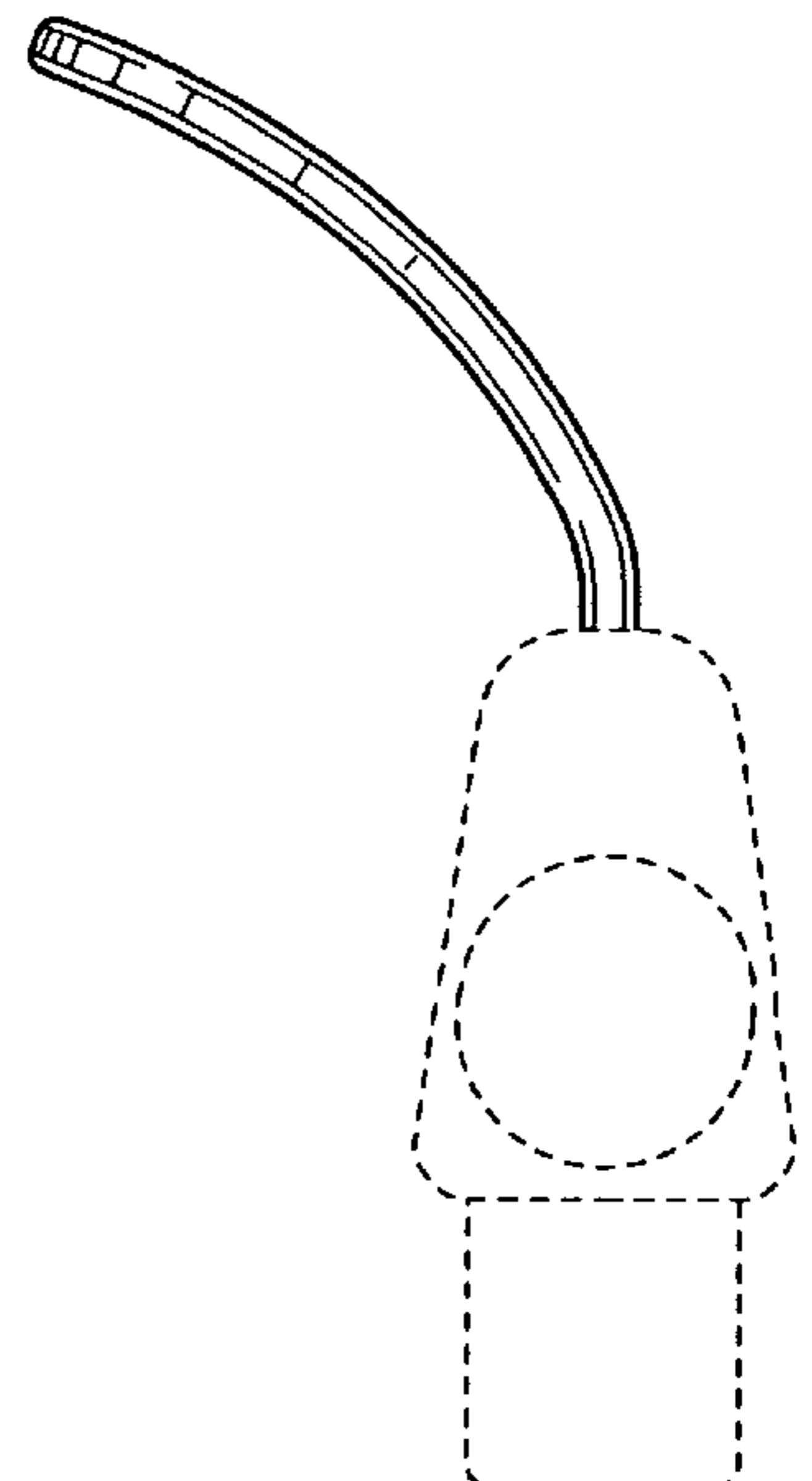


FIG. 15

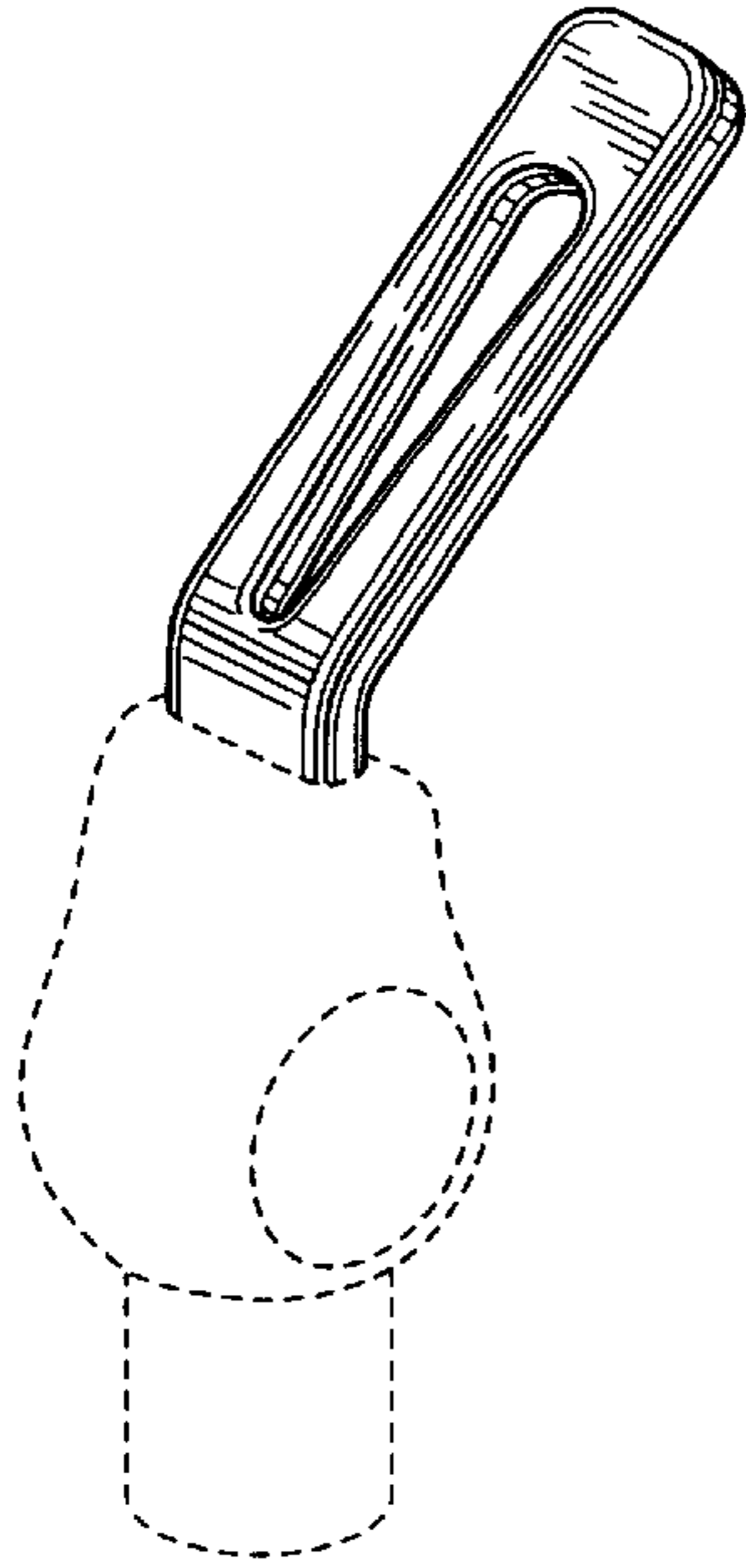


FIG. 16

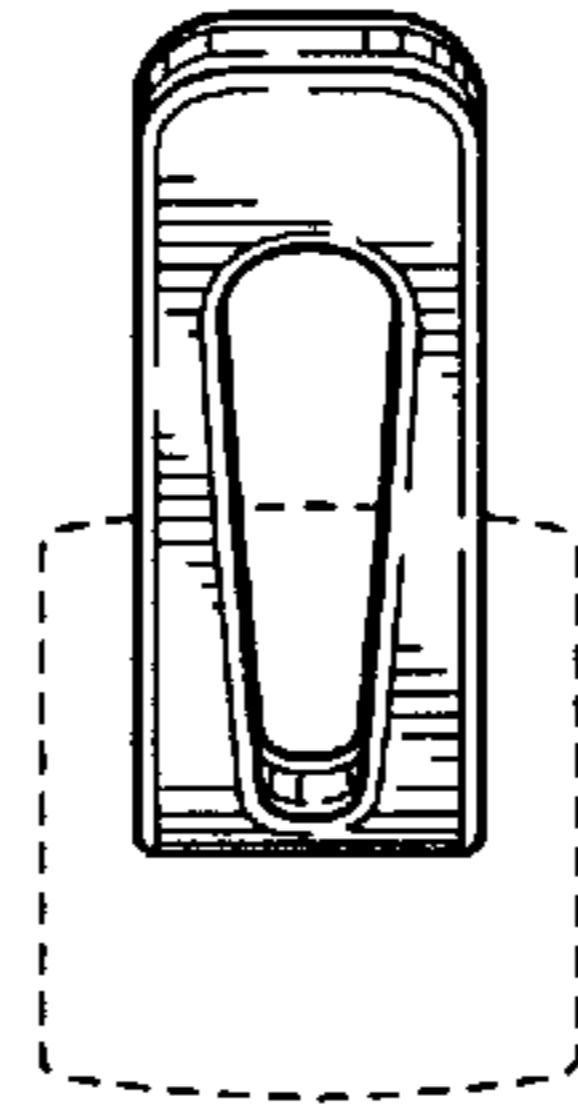


FIG. 17

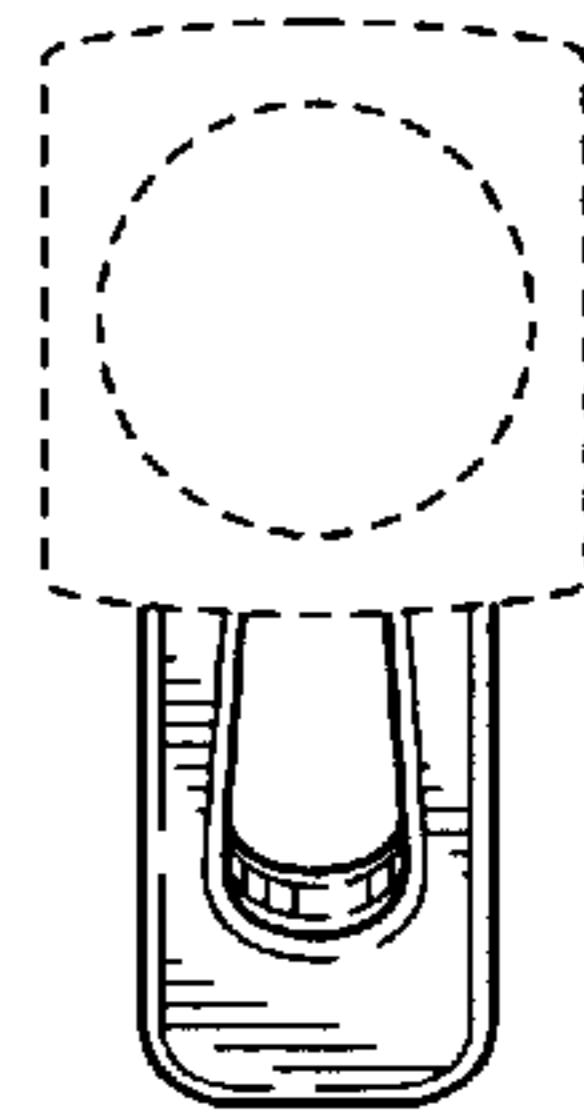


FIG. 18

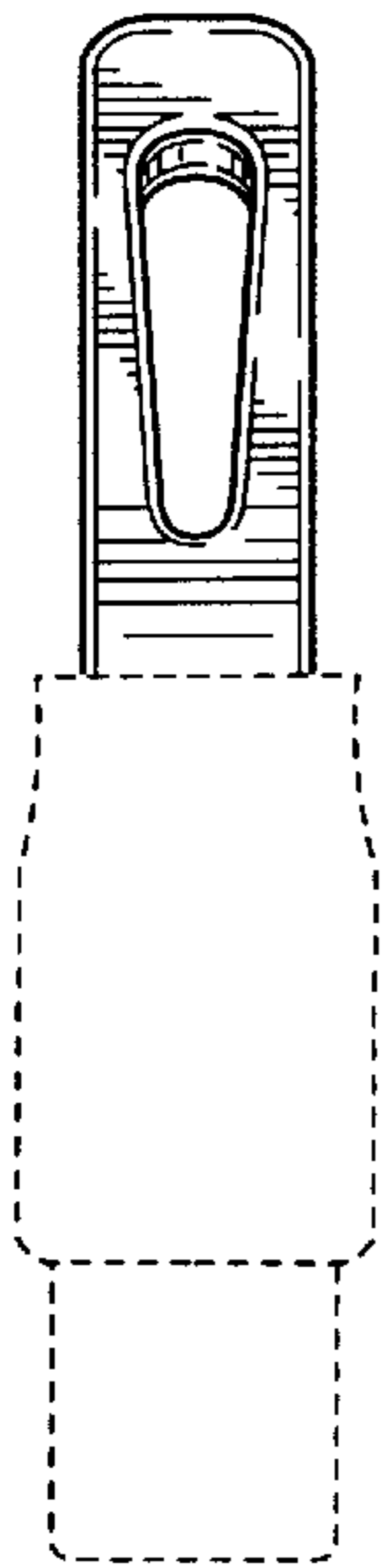


FIG. 19

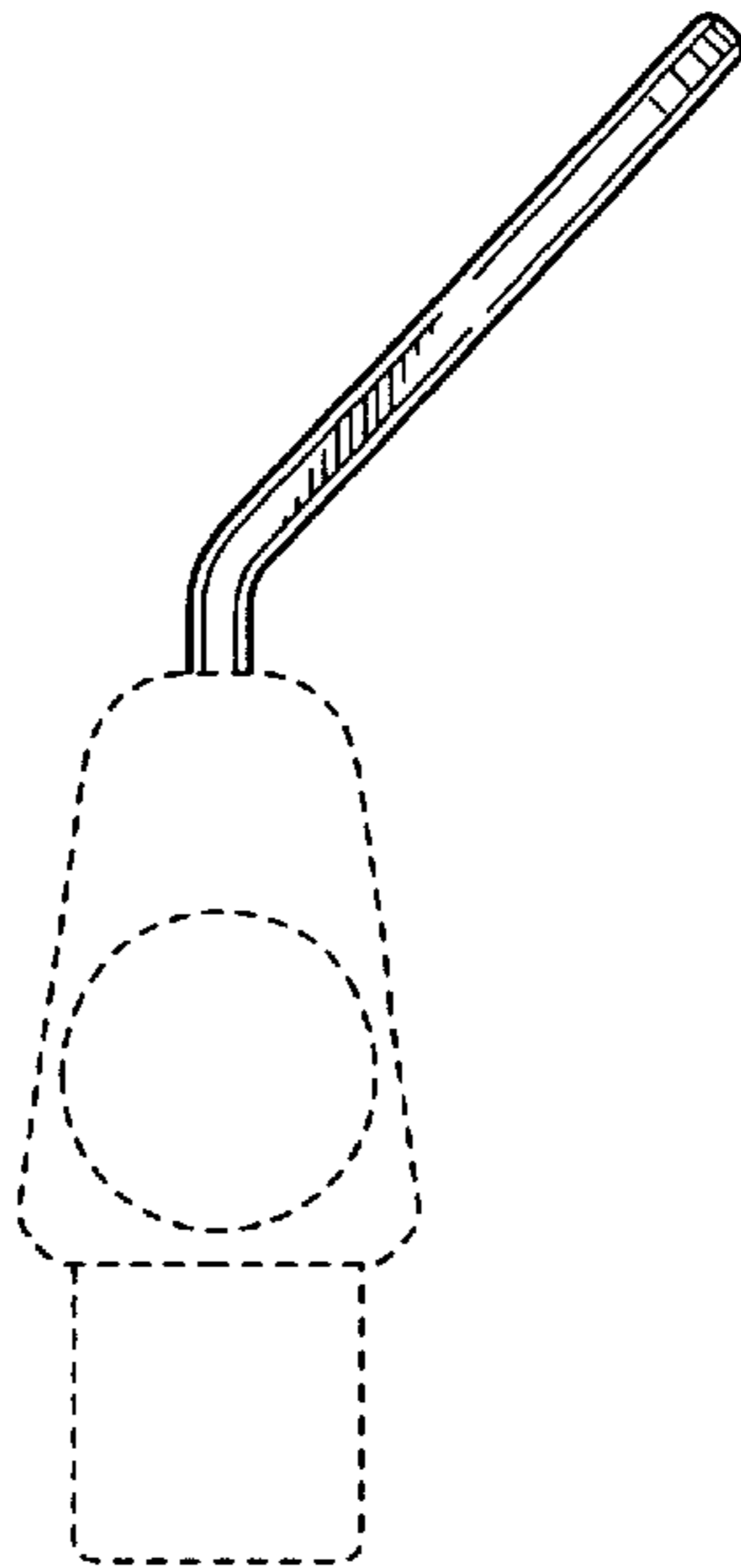


FIG. 20

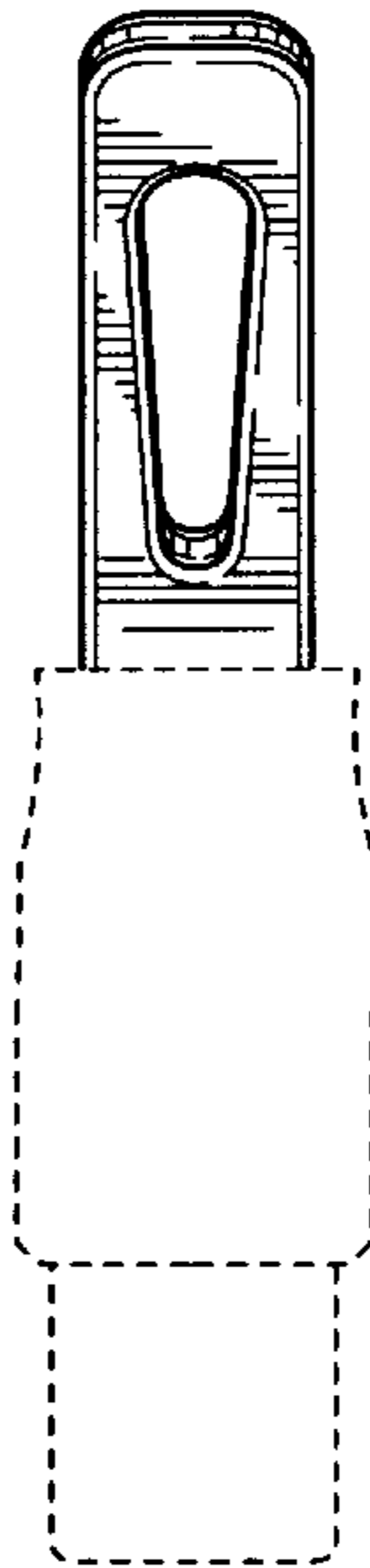


FIG. 21

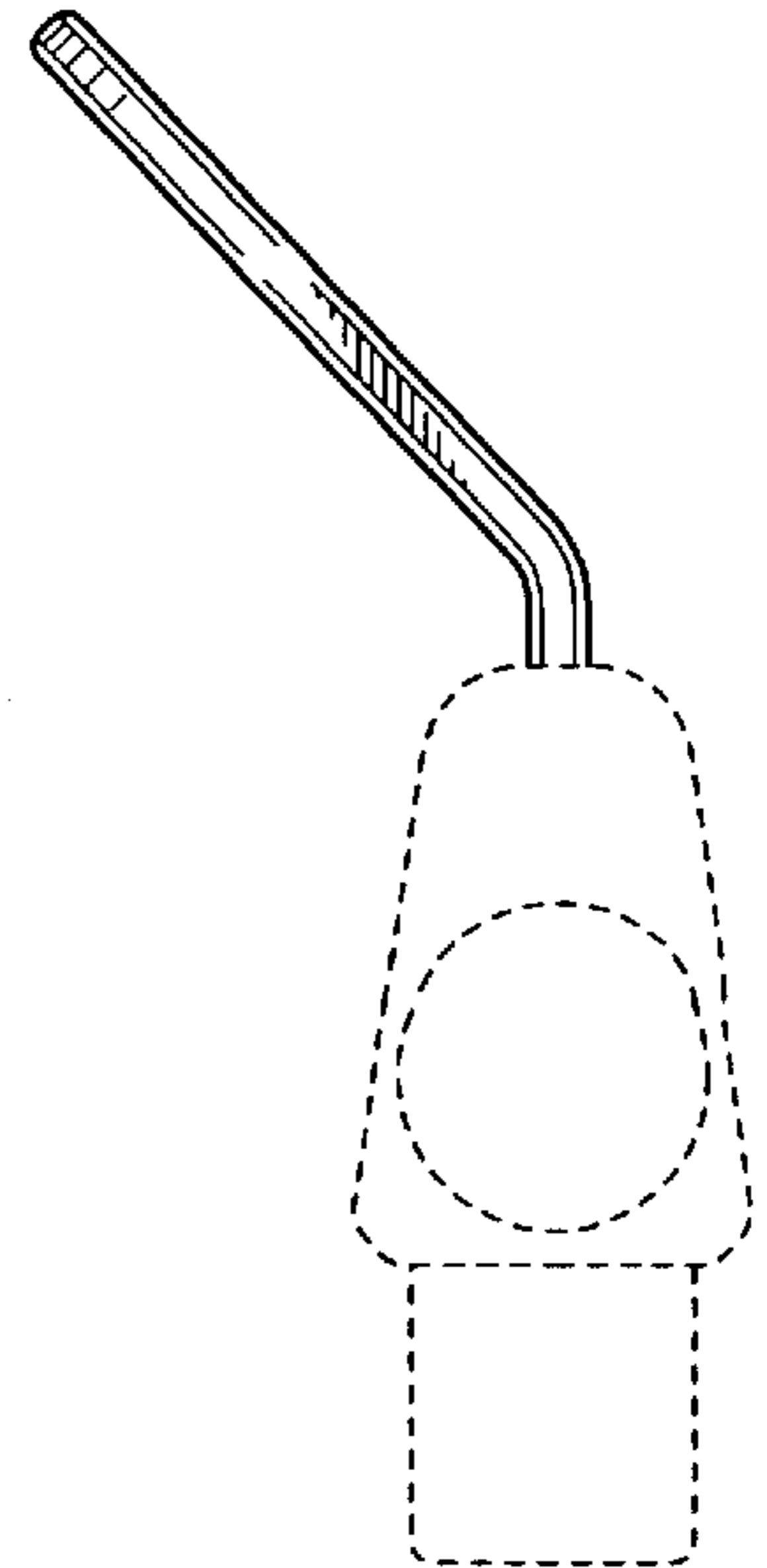


FIG. 22

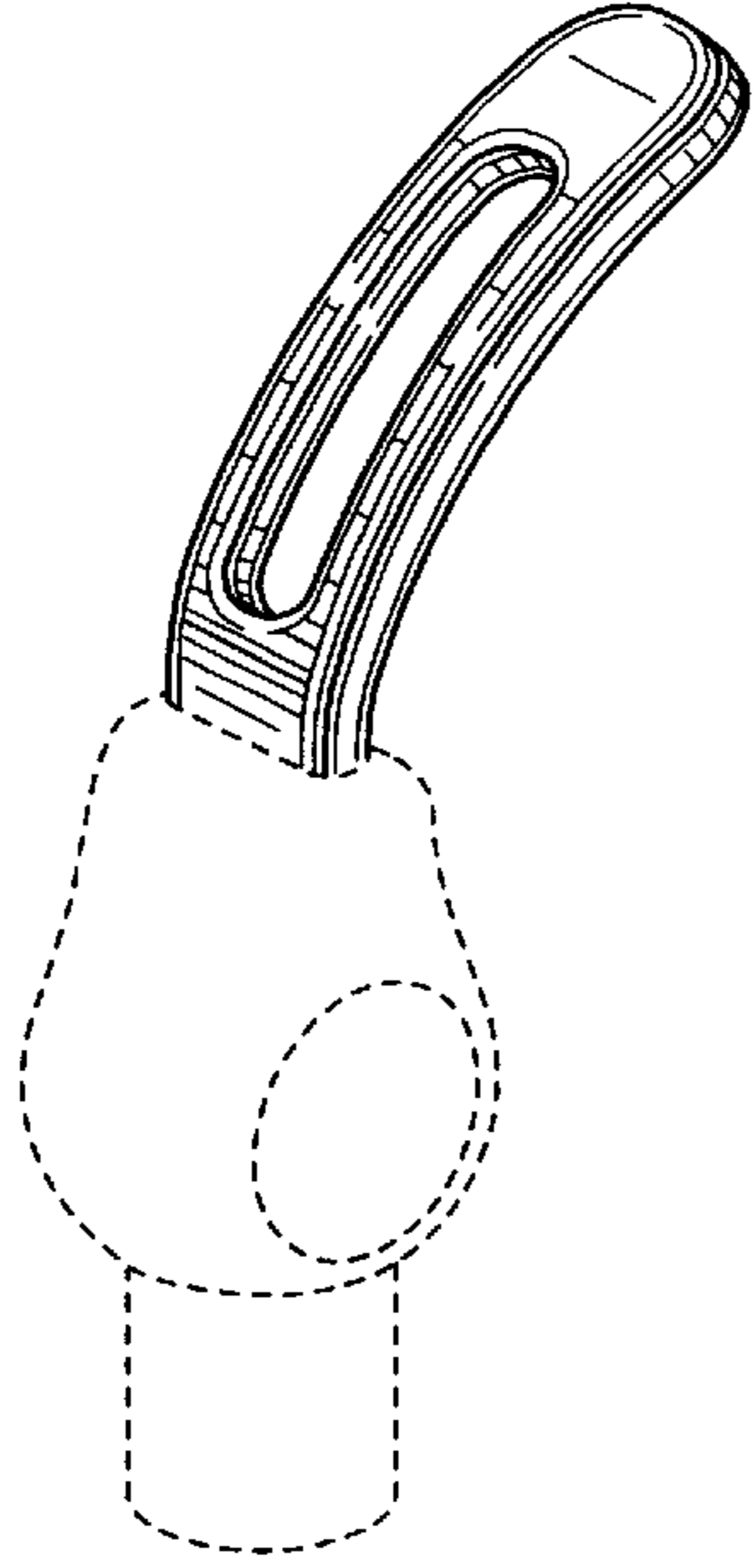


FIG. 23

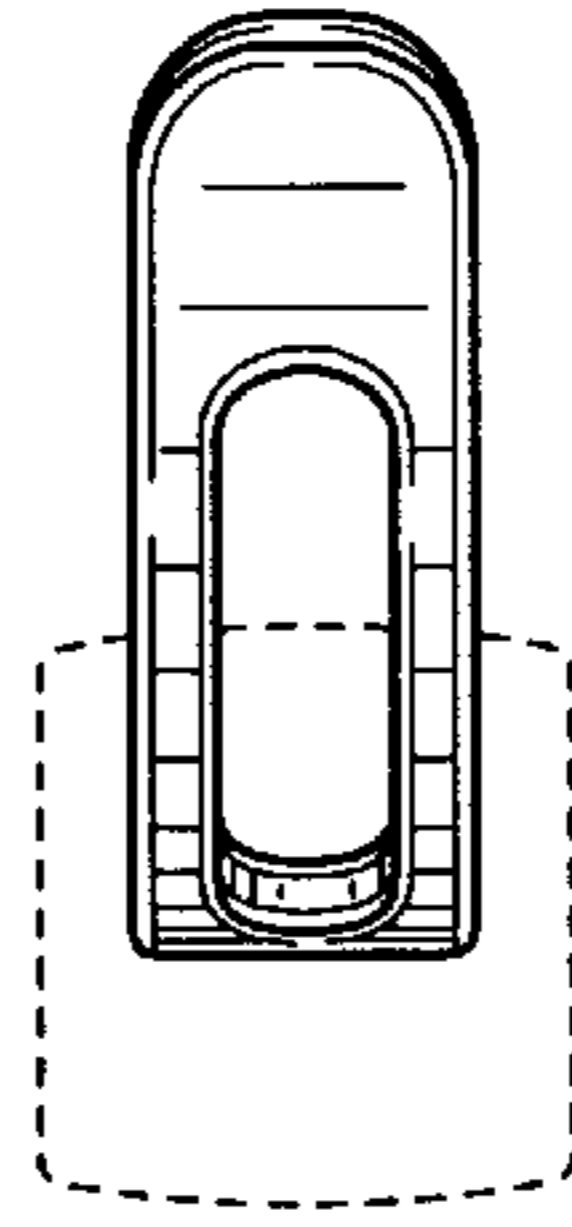


FIG. 24

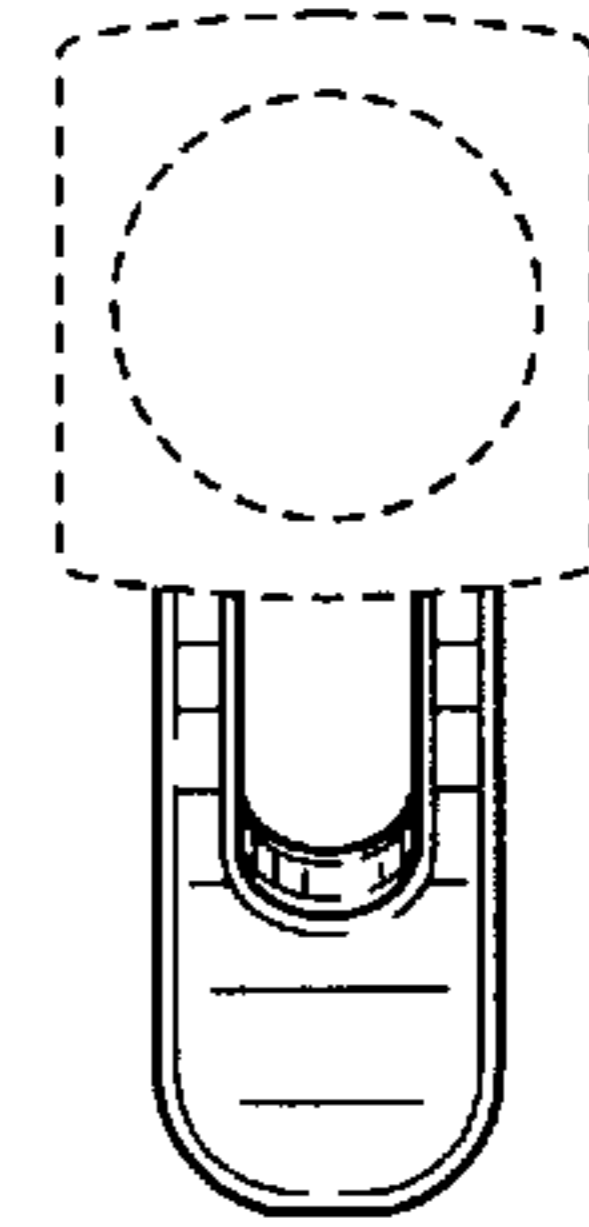


FIG. 25

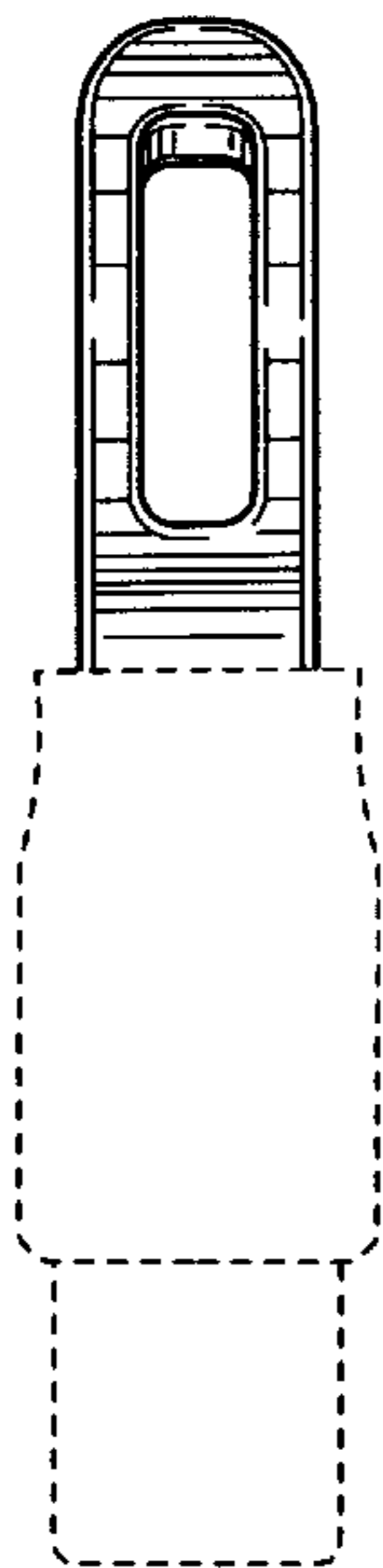


FIG. 26

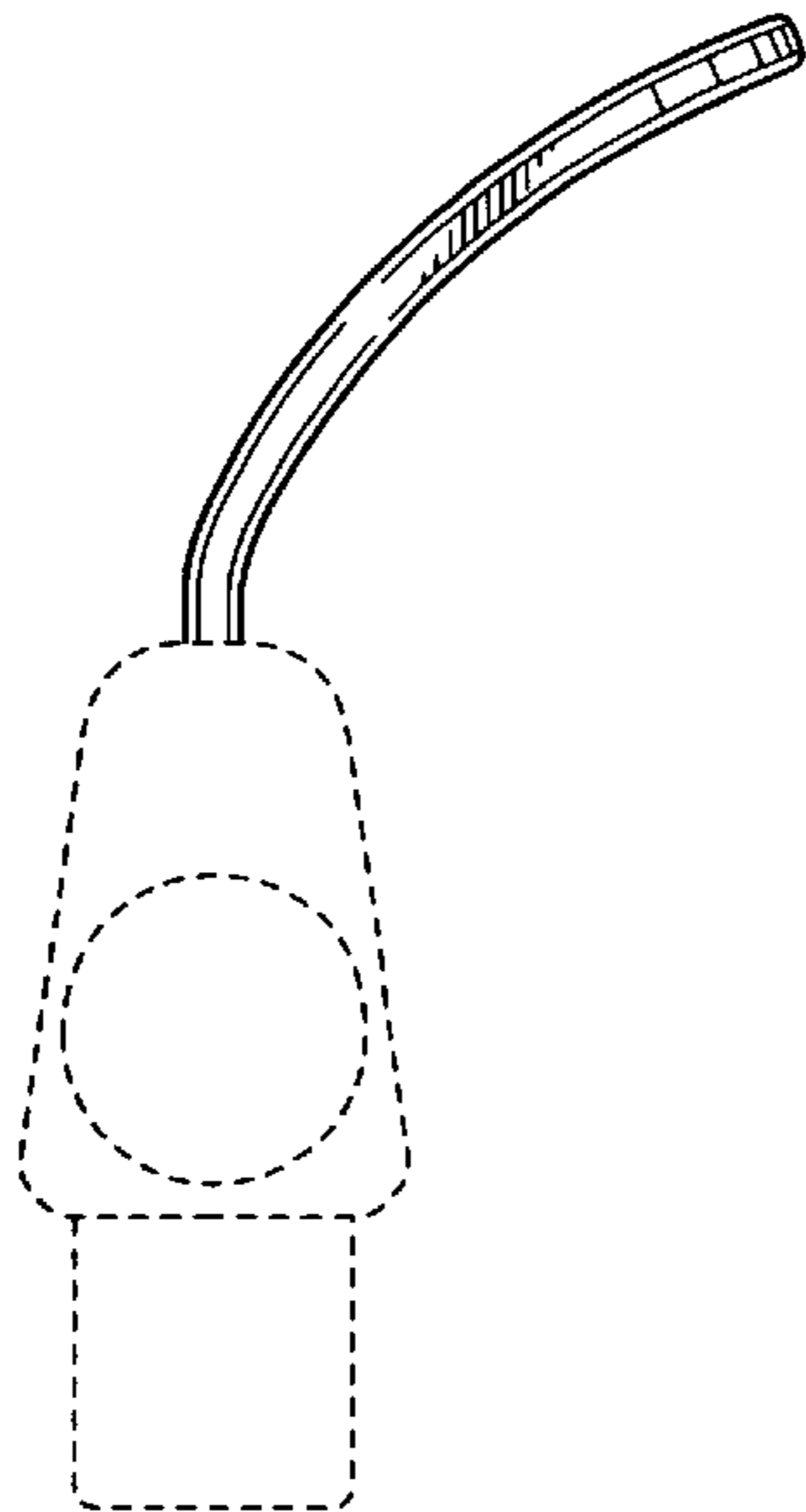


FIG. 27

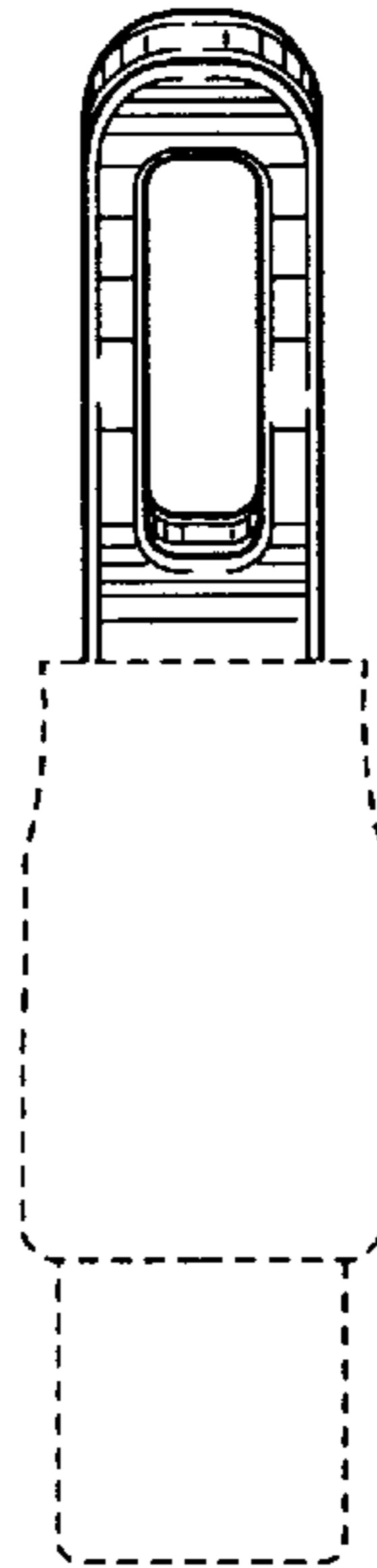


FIG. 28

