



US00D423075S

United States Patent [19] Kondo

[11] **Patent Number: Des. 423,075**

[45] **Date of Patent: ** Apr. 18, 2000**

[54] **FISHING REEL BODY**

[75] Inventor: **Takashi Kondo**, Musashino, Japan

[73] Assignee: **Daiwa Seiko, Inc.**, Tokyo, Japan

[**] Term: **14 Years**

[21] Appl. No.: **29/106,611**

[22] Filed: **Jun. 21, 1999**

[30] **Foreign Application Priority Data**

Dec. 25, 1998 [JP] Japan 10-38289

[51] **LOC (6) Cl. 22-05**

[52] **U.S. Cl. D22/141**

[58] **Field of Search D22/137, 141;
242/224; 43/19, 20, 21, 22**

[56] **References Cited**

U.S. PATENT DOCUMENTS

D. 290,989	7/1987	Ten Eyck et al.	D22/141
D. 300,054	2/1989	Hiraishi et al.	D22/141
D. 300,765	4/1989	Inuma et al.	D22/141
D. 307,785	5/1990	Yoshikawa	D22/141
D. 324,719	3/1992	Shiozaki et al.	D22/141
D. 327,112	6/1992	Myojo	D22/141

D. 327,312	6/1992	Myojo	D22/141
D. 330,245	10/1992	Shiozaki	D22/141
D. 362,487	9/1995	Asano et al.	D22/141
D. 401,665	11/1998	Kondoh et al.	D22/141

Primary Examiner—Louis S. Zarfaz
Assistant Examiner—Inga-Maria Hyttinen
Attorney, Agent, or Firm—Sughrue, Mion, Zinn, Macpeak & Seas, PLLC

[57] **CLAIM**

The ornamental design for a fishing reel body, as shown and described.

DESCRIPTION

FIG. 1 is a perspective view of the top, rear and right side of a fishing reel body showing my new design; FIG. 2 is a right side elevational view thereof; FIG. 3 is a left side elevational view thereof; FIG. 4 is a top plan view thereof; FIG. 5 is a bottom plan view thereof; FIG. 6 is a front elevational view thereof; and, FIG. 7 is a rear elevational view thereof. The elements shown in phantom lines in FIGS. 1–7 inclusive are not considered to be part of the claimed design.

1 Claim, 5 Drawing Sheets

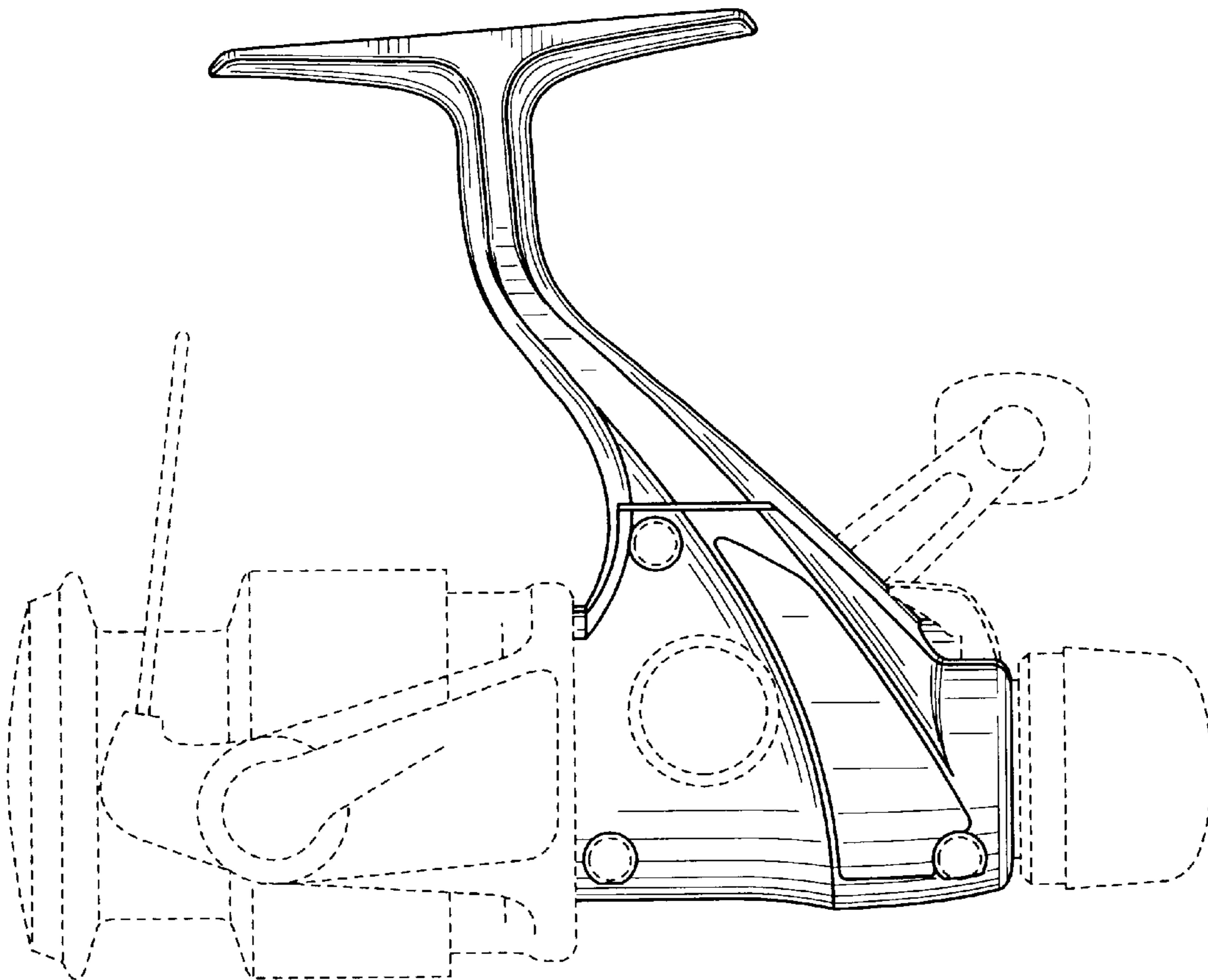


FIG. 1

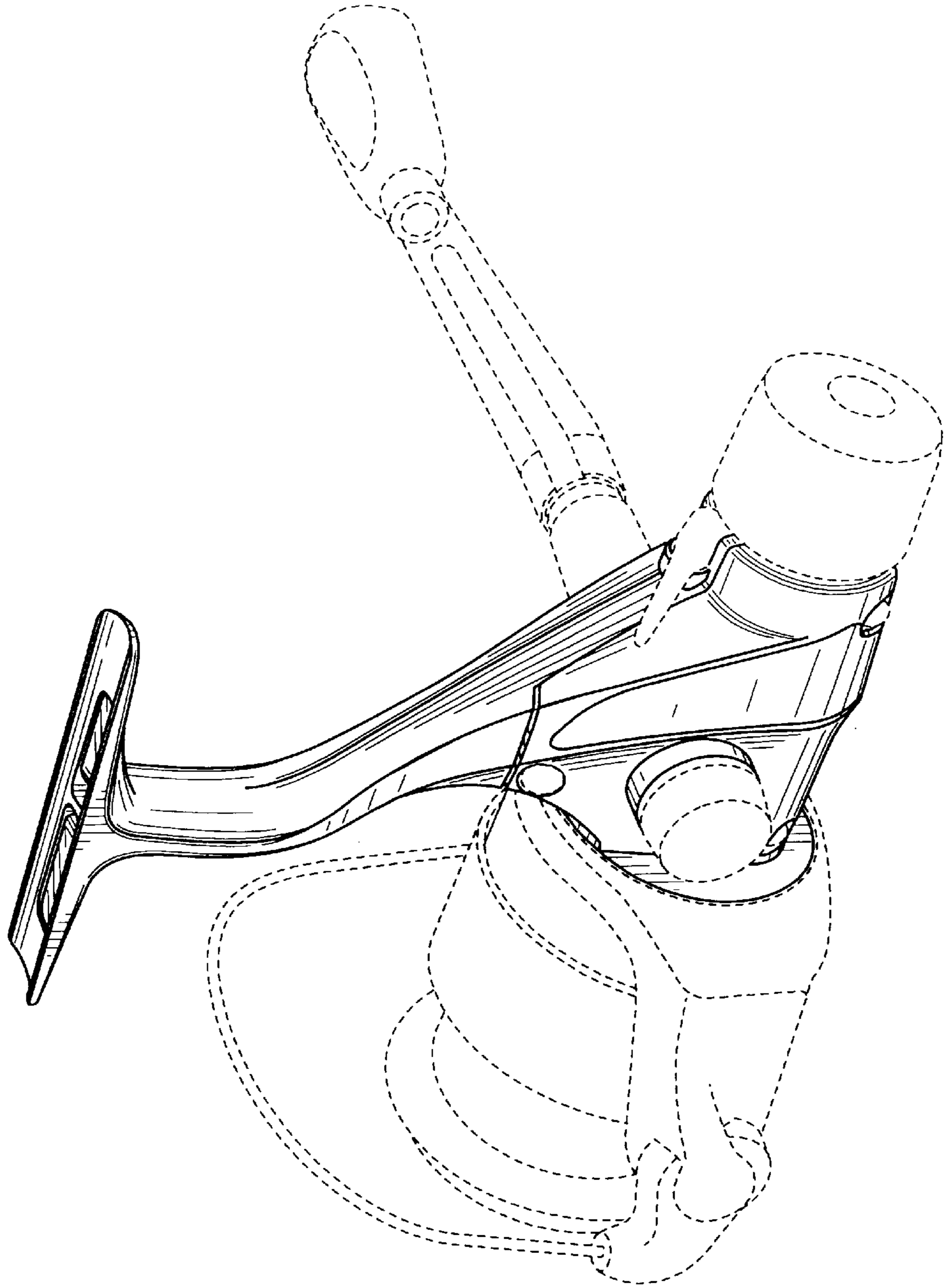


FIG. 2

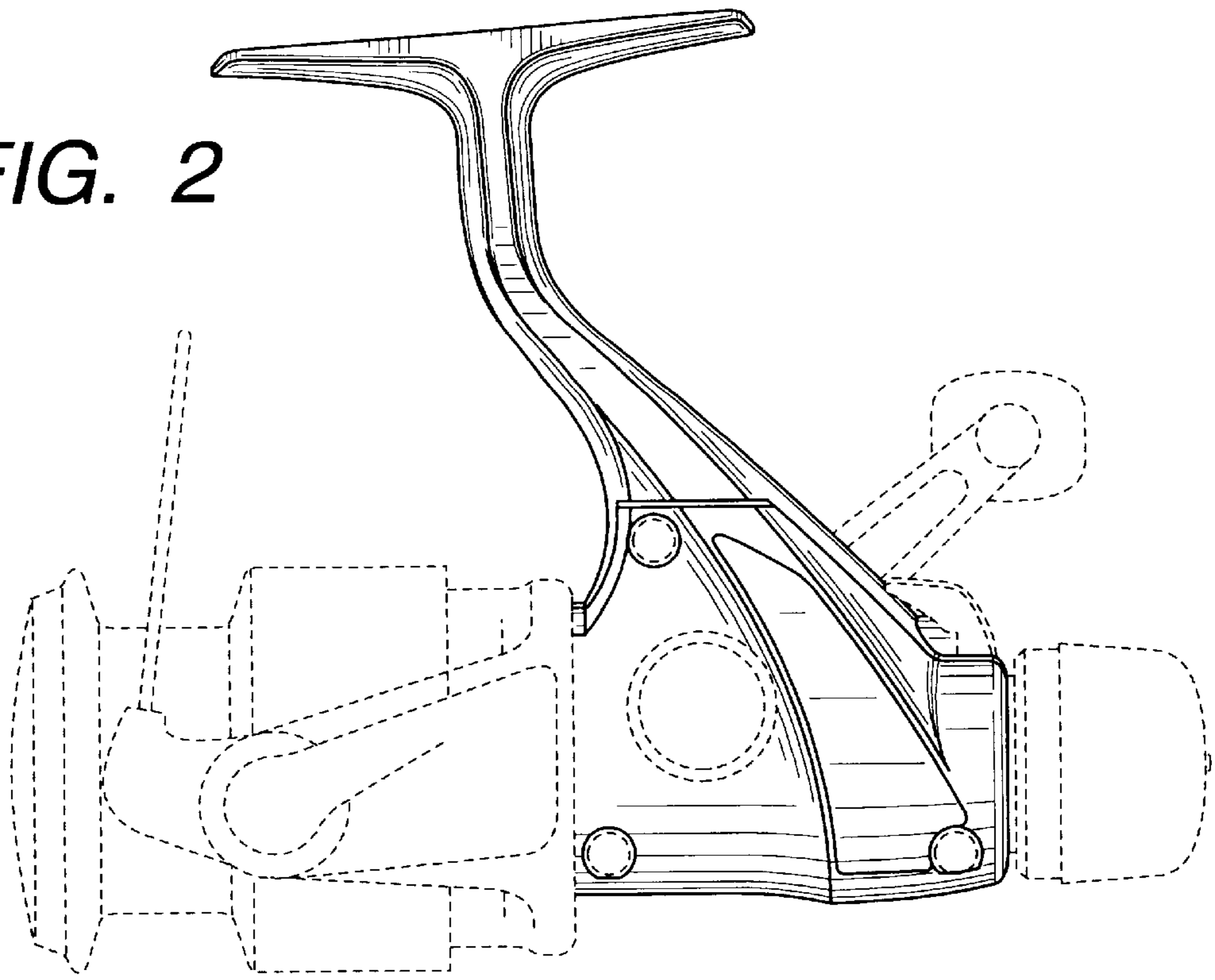


FIG. 3

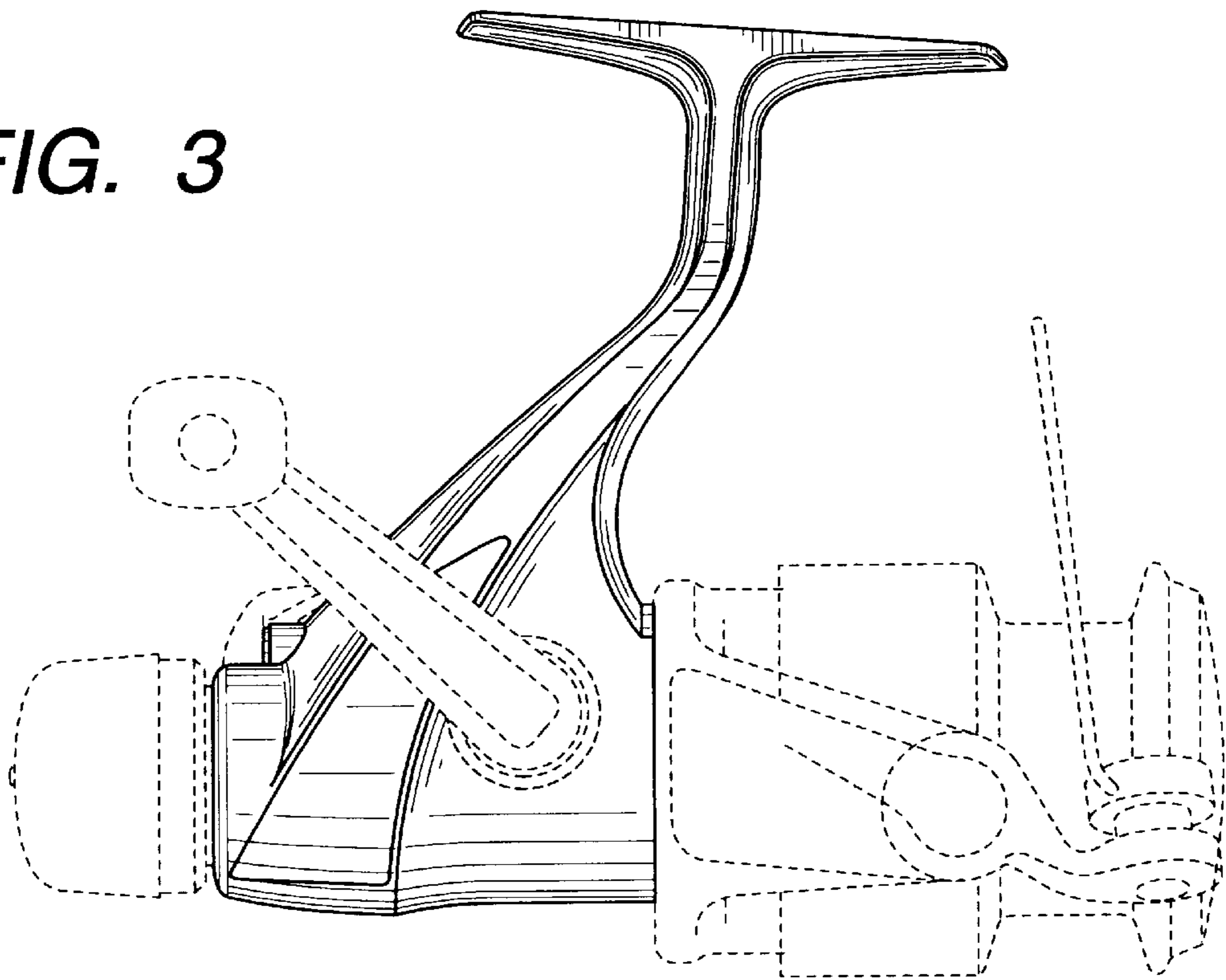


FIG. 4

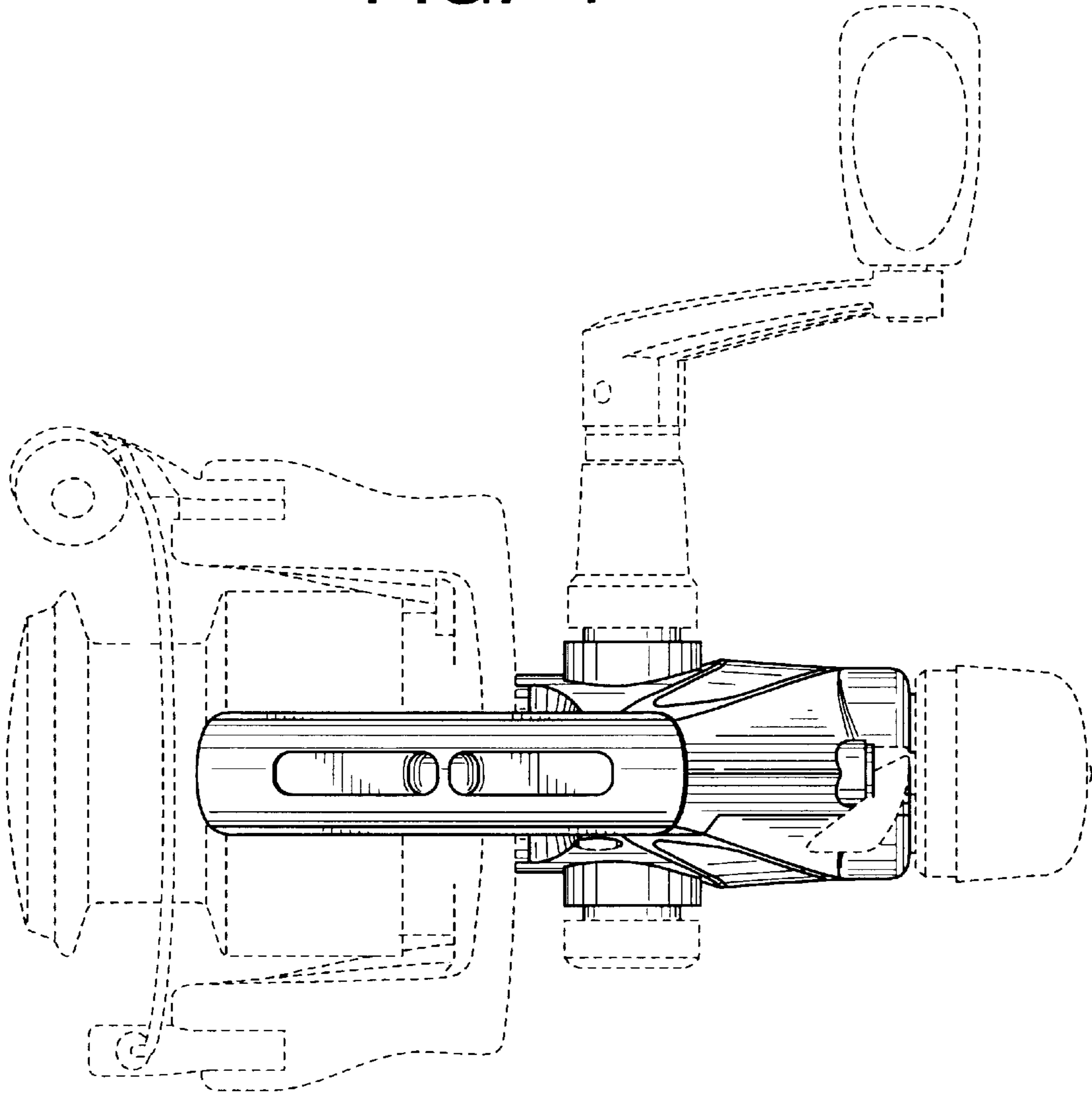


FIG. 5

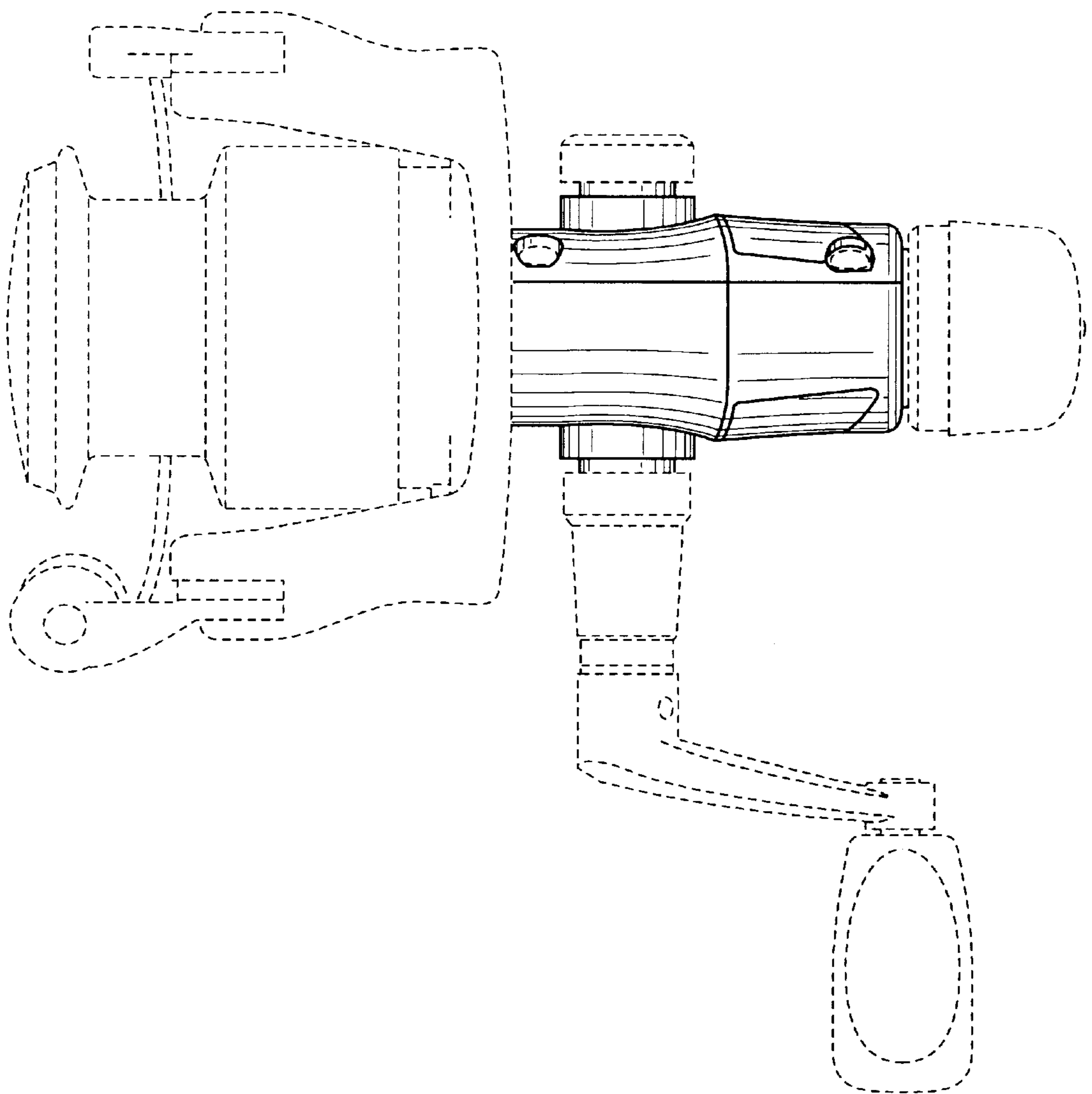


FIG. 6

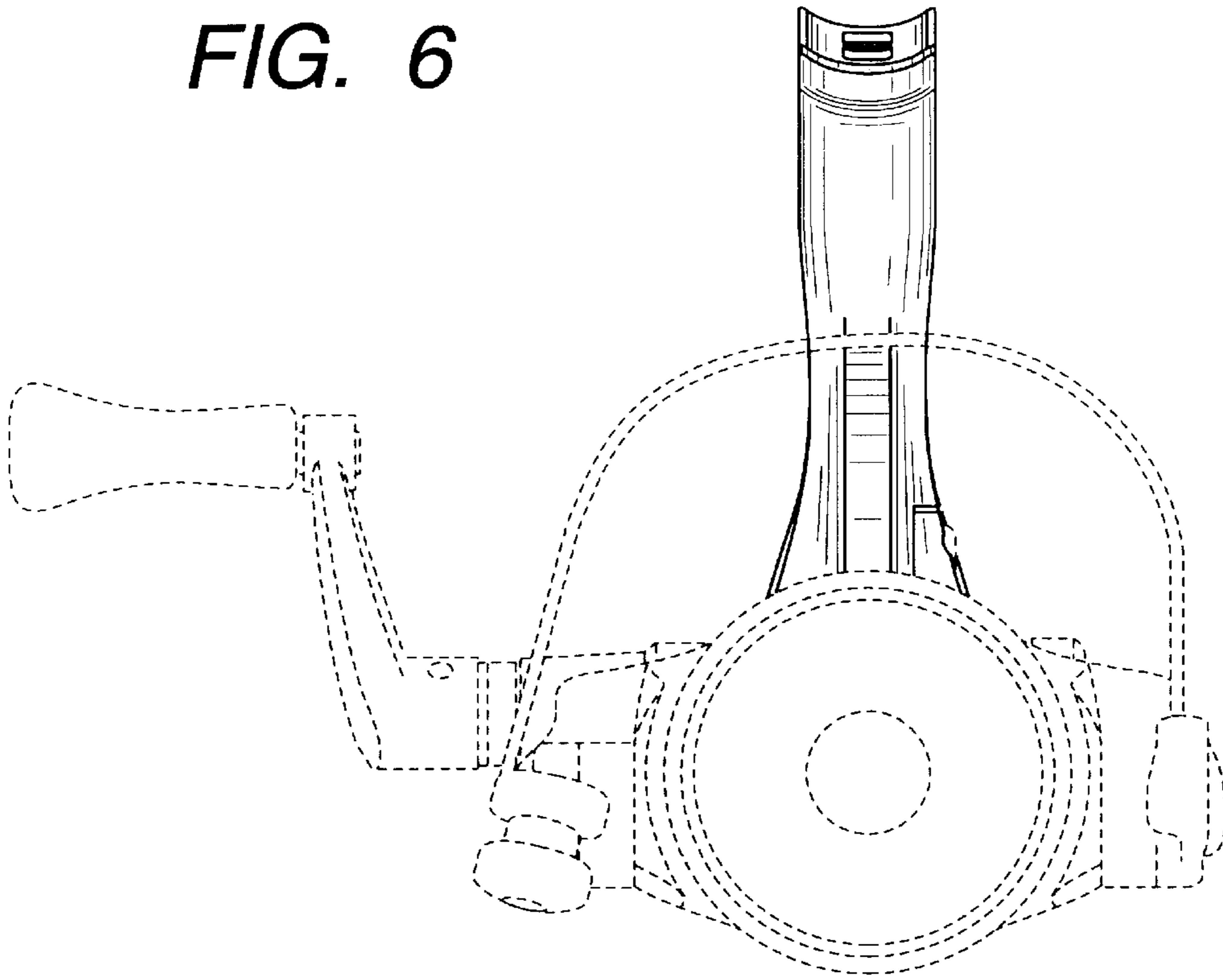


FIG. 7

