



US00D423071S

United States Patent [19] Bonnema

[11] **Patent Number: Des. 423,071**
[45] **Date of Patent: ** Apr. 18, 2000**

[54] **DEVICE FOR DISPENSING A VOLATILE SUBSTANCE**

[75] Inventor: **James Bonnema**, Middleton, Mass.

[73] Assignee: **The Schawbel Corporation**, Boston, Mass.

[**] Term: **14 Years**

[21] Appl. No.: **29/098,836**

[22] Filed: **Jan. 7, 1999**

[51] **LOC (6) Cl.** **22-06**

[52] **U.S. Cl.** **D22/120**

[58] **Field of Search** D22/117, 120,
D22/122, 119; 43/141, 59, 132.1, 125

[56] **References Cited**

U.S. PATENT DOCUMENTS

D. 228,652	10/1973	De Los Byerley	D22/120
D. 241,638	9/1976	Holt	D22/120
D. 355,696	2/1995	Yuen	D22/123
D. 381,073	7/1997	Demarest et al.	.	
D. 410,990	6/1999	Hesser	D22/120
3,807,082	4/1974	Hautmann et al.	239/55
5,429,301	7/1995	Franks	D22/117

Primary Examiner—Louis S. Zarfes
Assistant Examiner—Inga-Maria Hyttinen
Attorney, Agent, or Firm—Levisohn, Lerner, Berger and Langsam

[57] **CLAIM**

The ornamental design for device for dispensing a volatile substance, as shown and described.

DESCRIPTION

FIG. 1 is a perspective view of the device for dispensing a volatile substance of this invention.

FIG. 2 is a top view of the device for dispensing a volatile substance of this invention.

FIG. 3 is a left side view of the device for dispensing a volatile substance of this invention.

FIG. 4 is a front view of the device for dispensing a volatile substance of this invention.

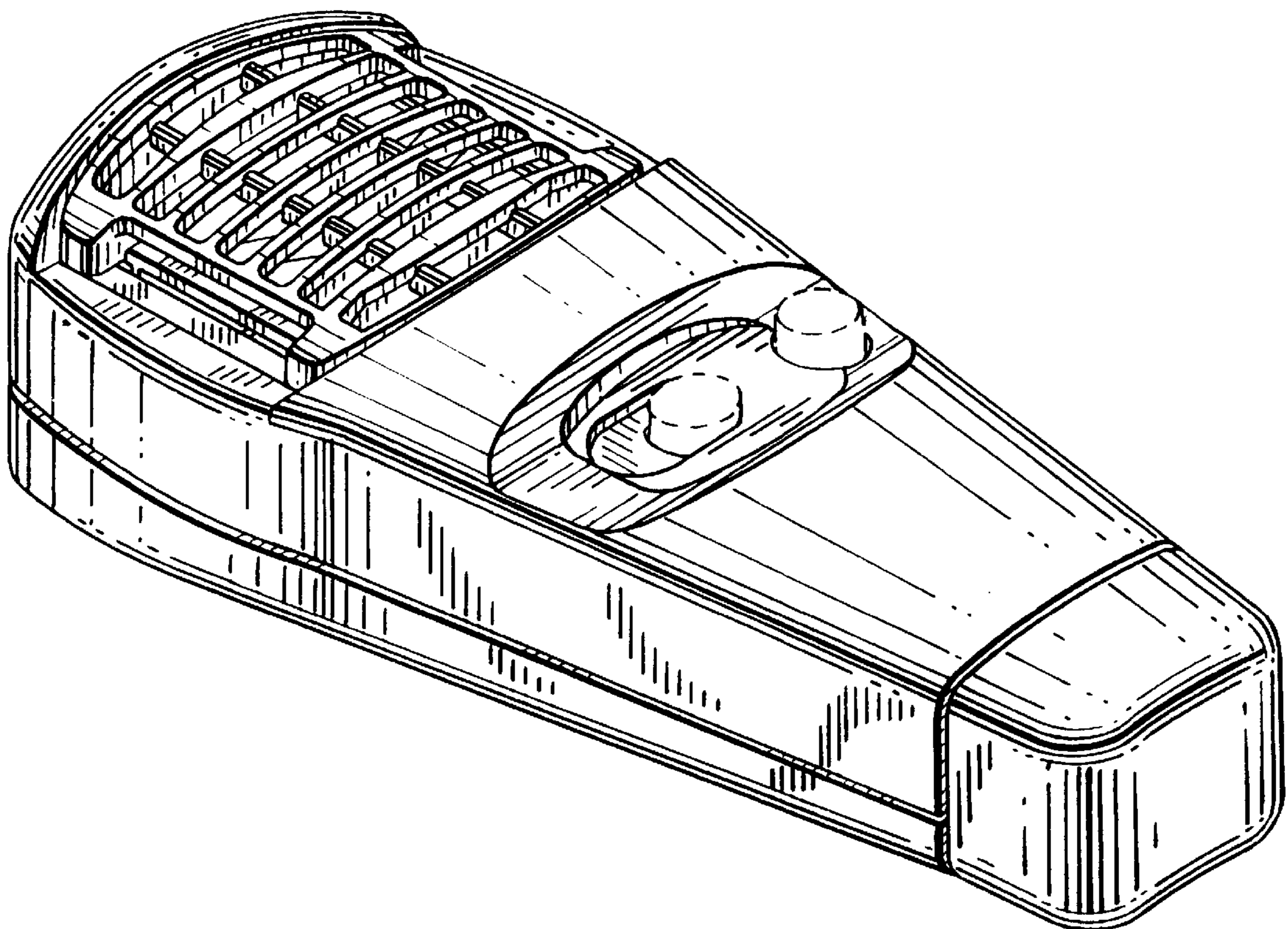
FIG. 5 is a right side view of the device for dispensing a volatile substance of this invention.

FIG. 6 is a rear view of the device for dispensing a volatile substance of this invention; and,

FIG. 7 is a bottom view of the device for dispensing a volatile substance of this invention.

The broken lines are for illustrative purposes only and form no part of the claimed design.

1 Claim, 4 Drawing Sheets



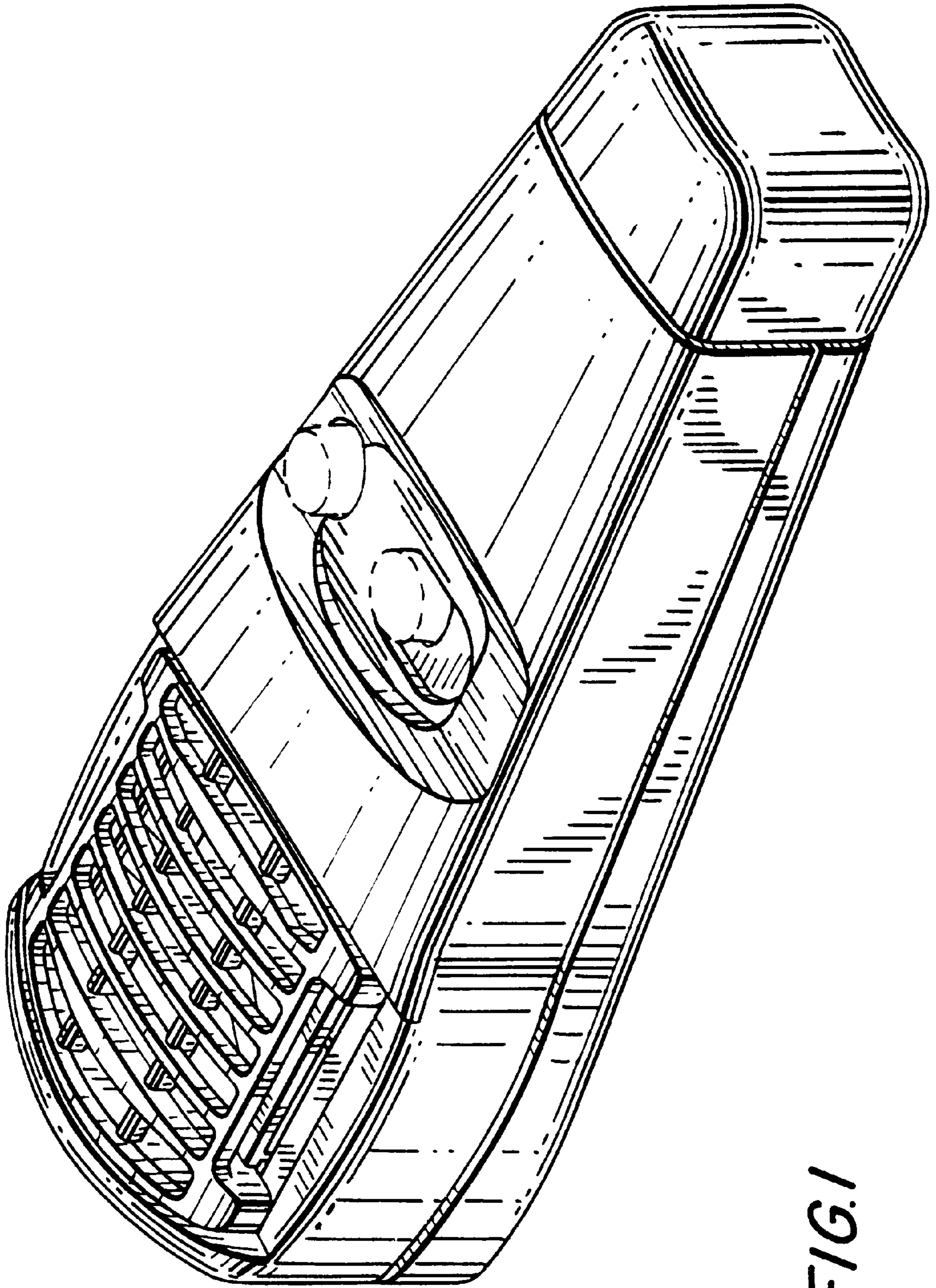


FIG. 1

FIG. 2

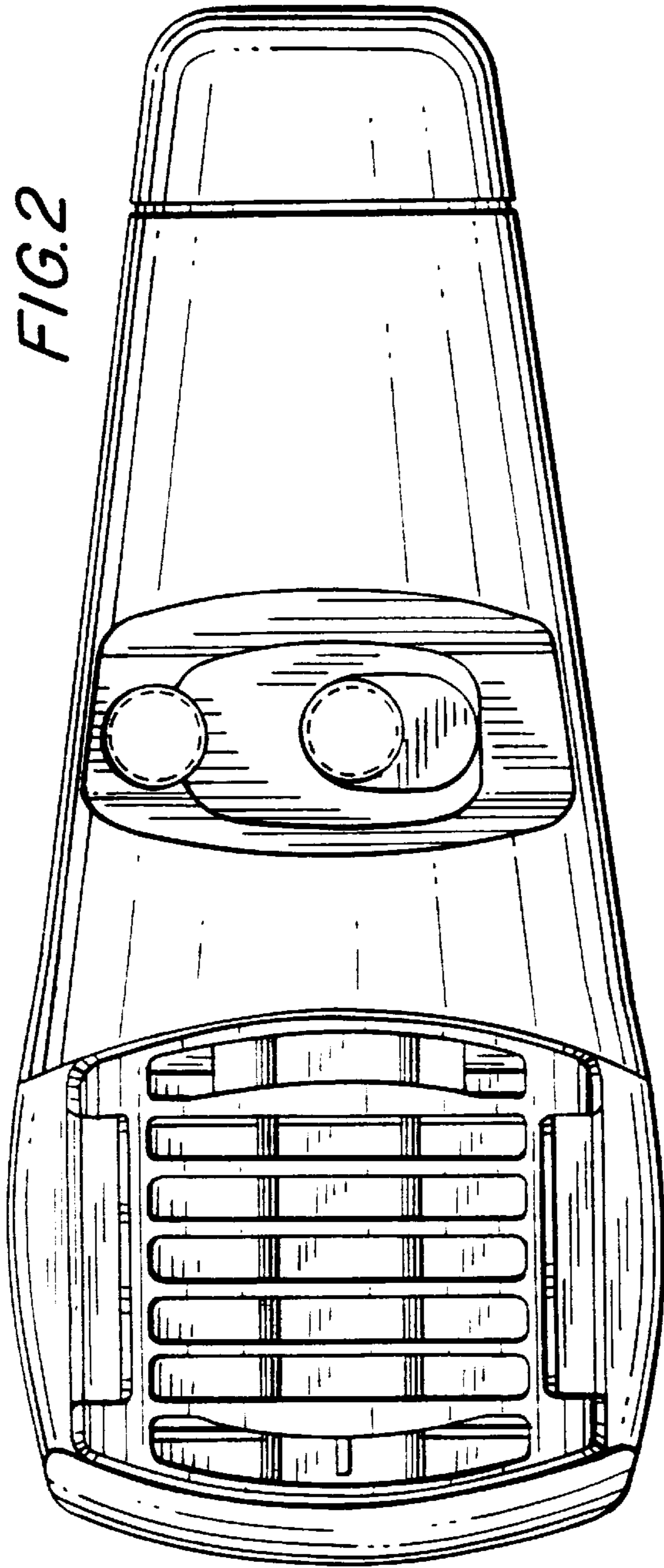


FIG. 3

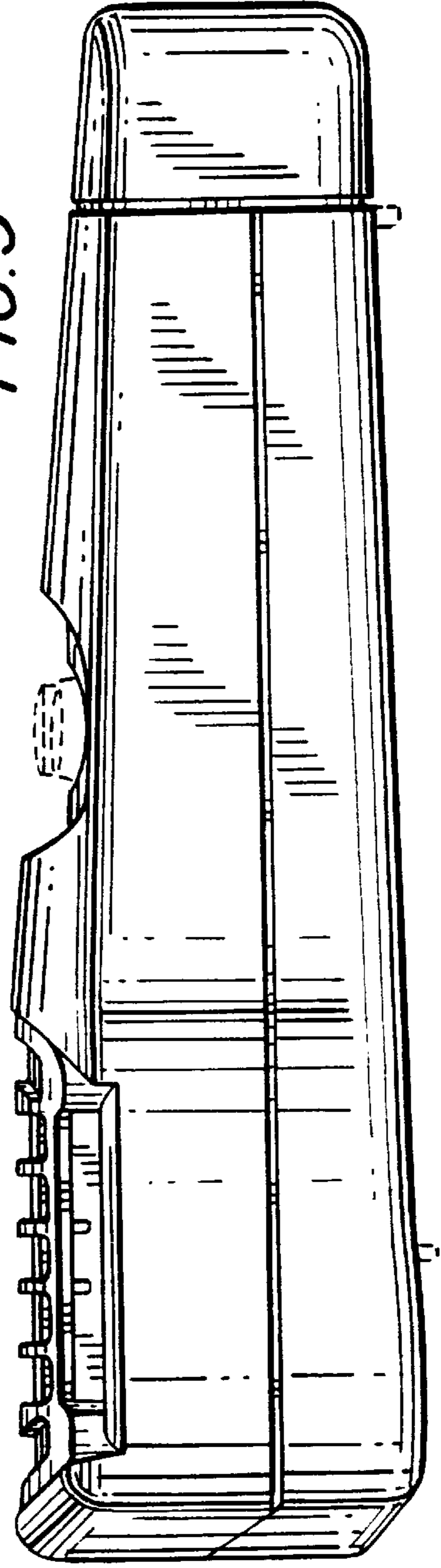


FIG. 4

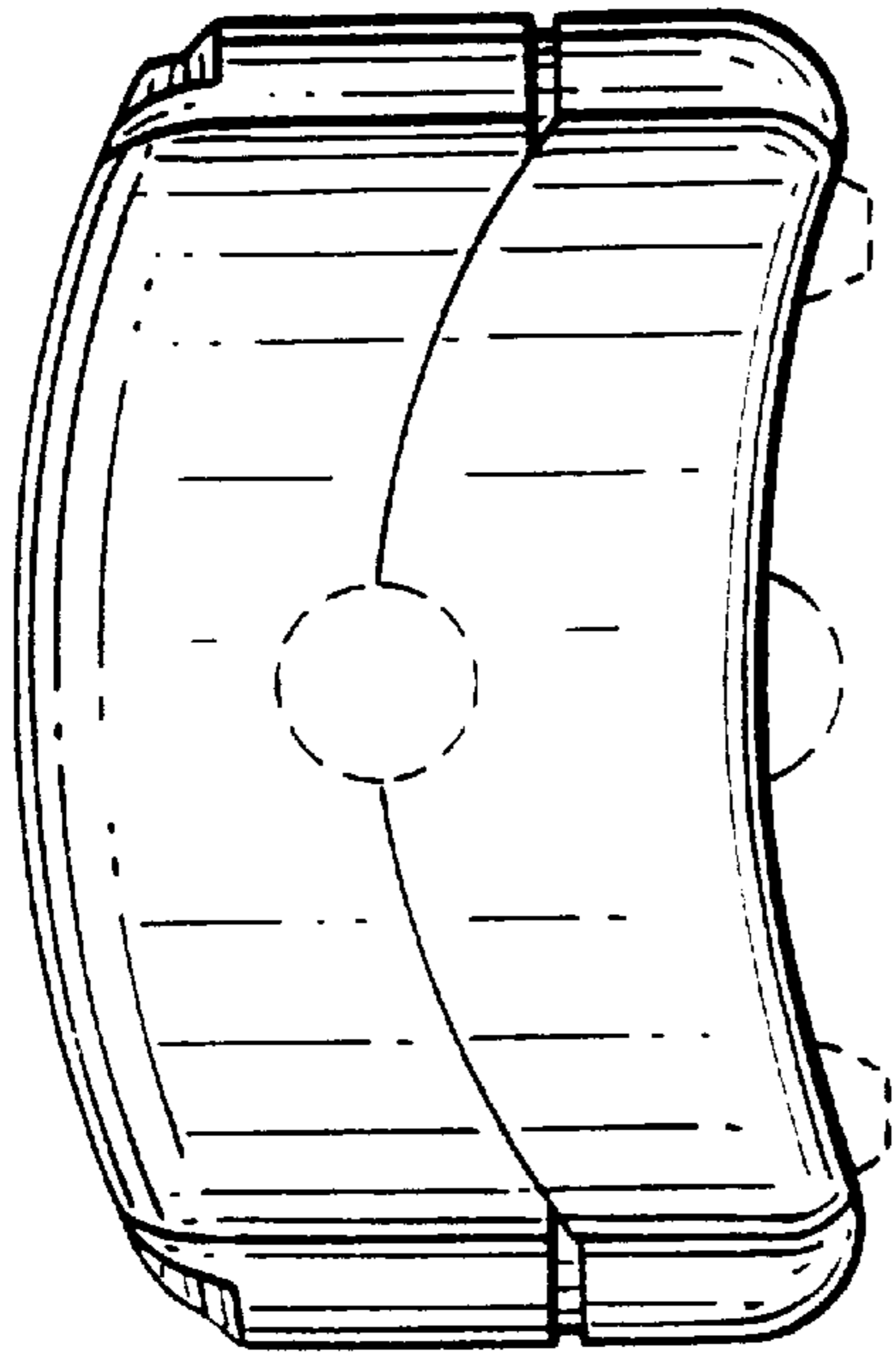
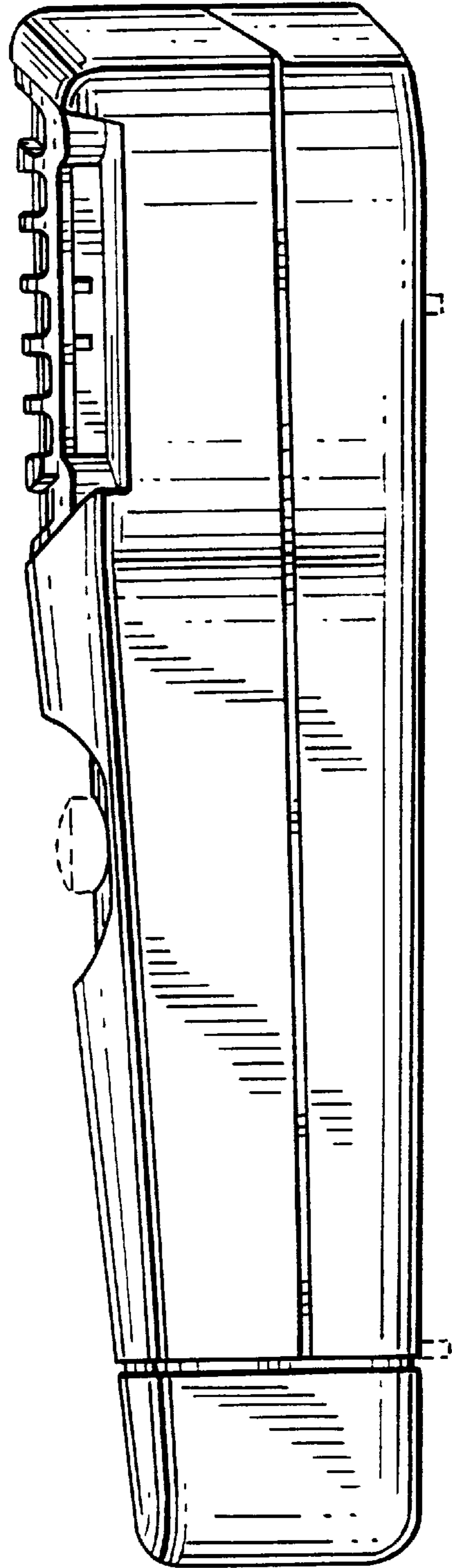


FIG. 5



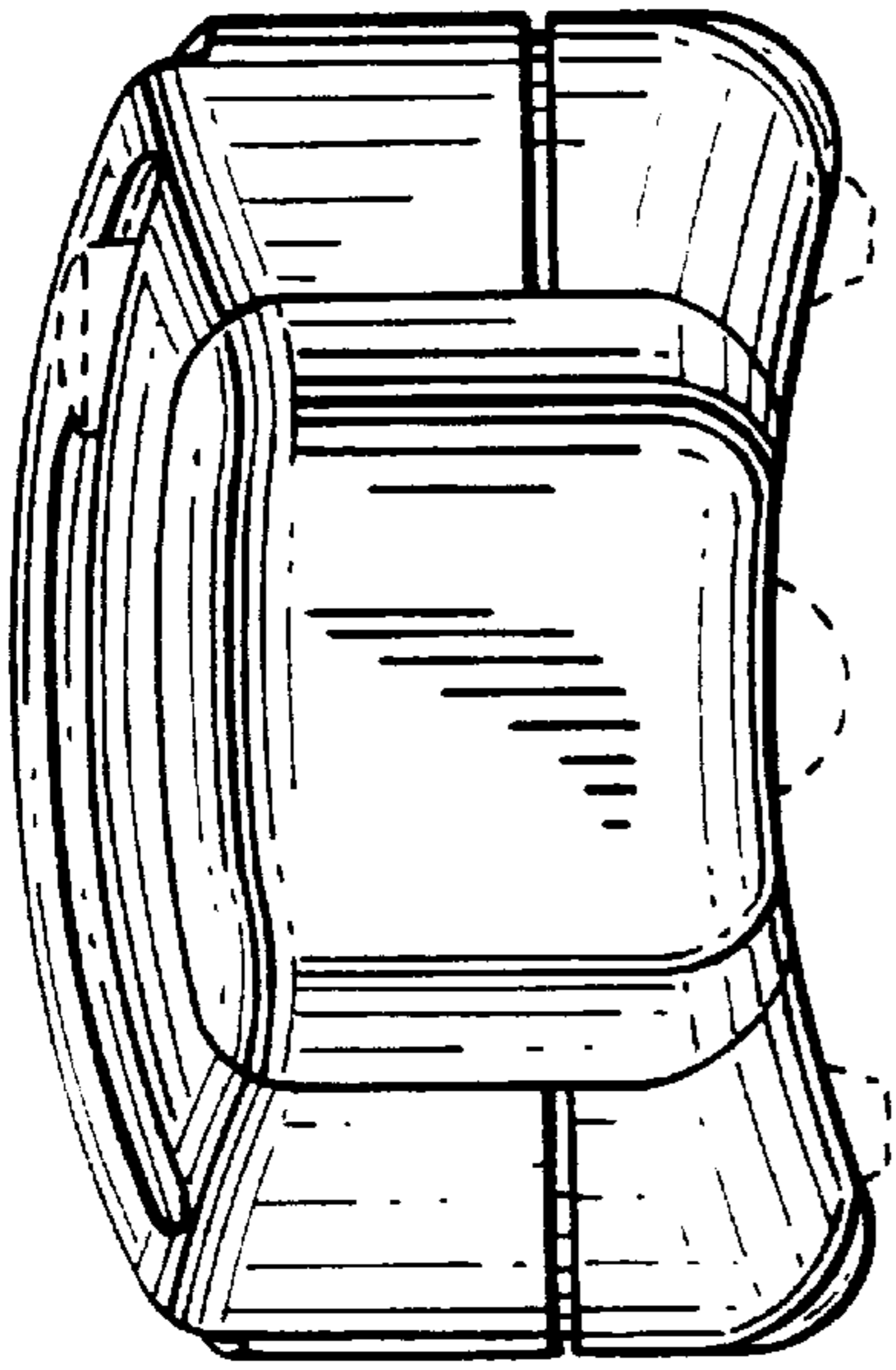


FIG. 6

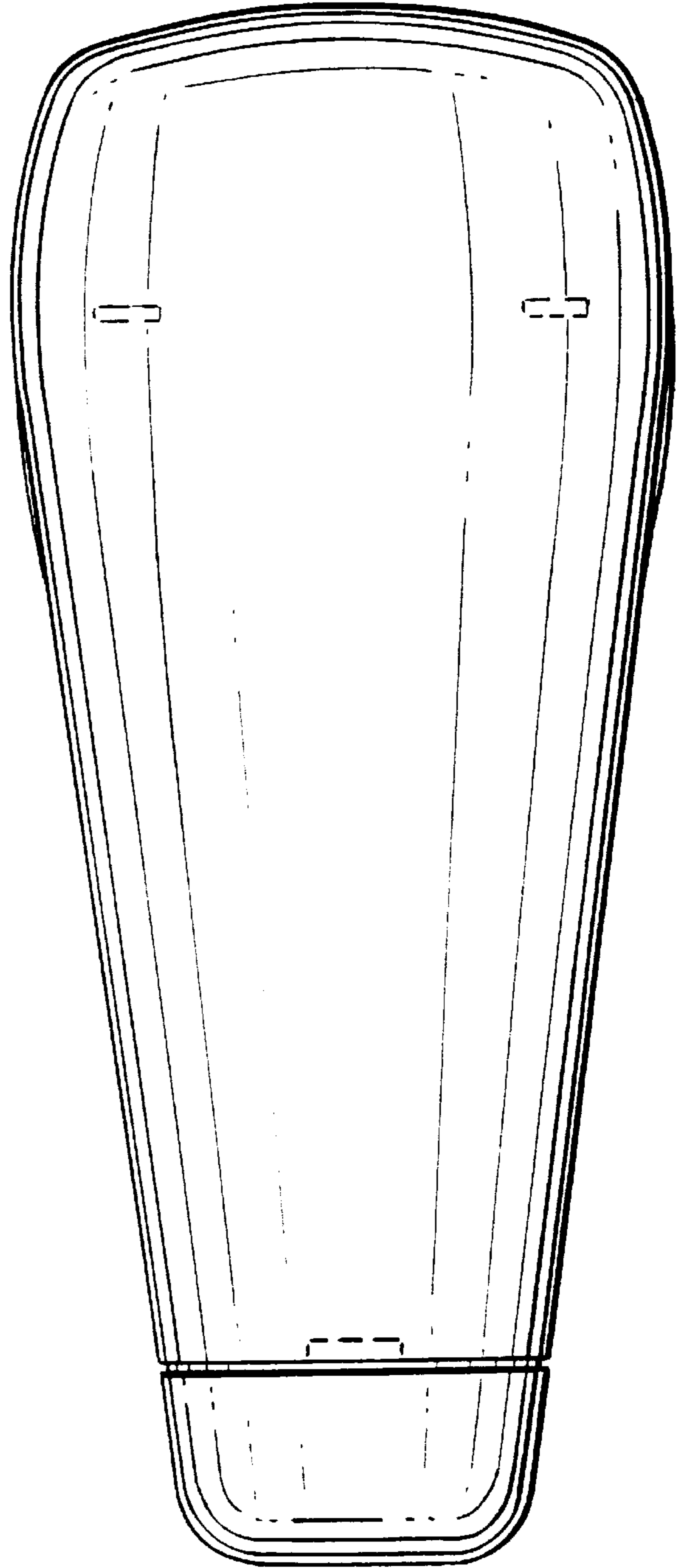


FIG. 7