



US00D423063S

United States Patent [19]
D'Andrade et al.

[11] **Patent Number: Des. 423,063**
[45] **Date of Patent: ** Apr. 18, 2000**

[54] **WATER GUN**

[75] Inventors: **Bruce M. D'Andrade, deceased, late of Whitehouse Station, N.J., by Mary Ann D'Andrade, executrix; Jose Longoria, Miami, Fla.**

[73] Assignee: **Larami Limited, Mt. Laurel, N.J.**

[**] Term: **14 Years**

[21] Appl. No.: **29/106,286**

[22] Filed: **Jun. 11, 1999**

Related U.S. Application Data

[63] Continuation-in-part of application No. 29/089,299, Jun. 12, 1998, abandoned.

[51] **LOC (6) Cl. 21-01**

[52] **U.S. Cl. D21/572**

[58] **Field of Search D21/567-575; D23/225-226; D22/103; D14/117.8; 446/267, 473, 475; 222/78-79; 239/211, 237, 329, 373; 124/6, 16, 73-76**

[56] **References Cited**

U.S. PATENT DOCUMENTS

- D. 336,938 6/1993 D'Andrade .
- D. 340,957 11/1993 D'Andrade .

- D. 350,573 9/1994 Caminos et al. .
- D. 367,685 3/1996 Luk D21/572
- D. 390,892 2/1998 D'Andrade .
- D. 413,364 8/1999 D'Andrade D21/572
- 5,292,032 3/1994 Johnson et al. 446/473
- 5,343,850 9/1994 Steer 124/64
- 5,799,827 9/1998 D'Andrade 222/79
- 5,875,927 3/1999 D'Andrade 222/79

OTHER PUBLICATIONS

Larami Limited 1996 Products Catalog, pp. 24 and 36.

Primary Examiner—Raphael Barkai
Attorney, Agent, or Firm—Akin, Gump, Strauss, Hauer & Feld, L.L.P.

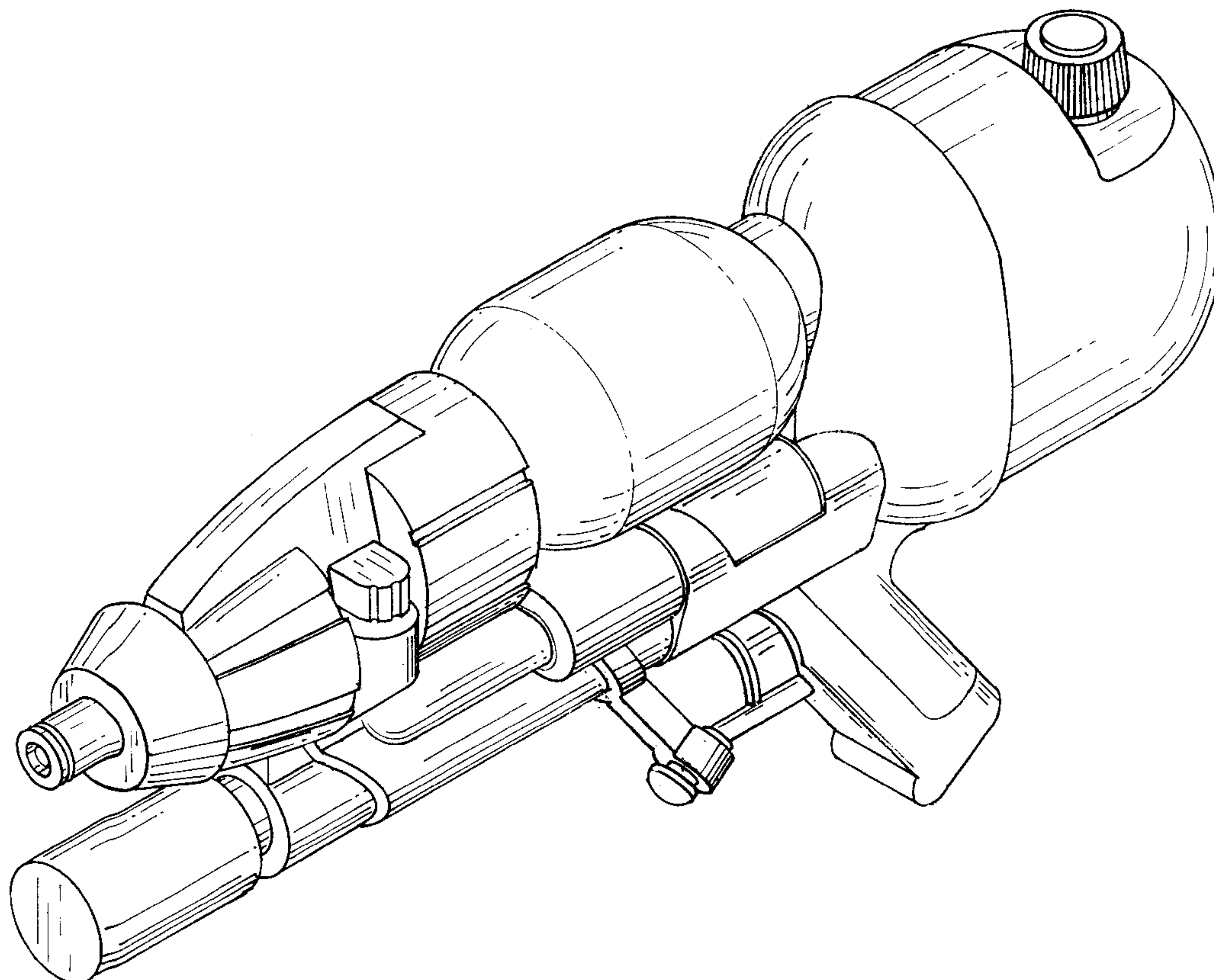
[57] **CLAIM**

The ornamental design for a water gun, as shown and described.

DESCRIPTION

FIG. 1 is a perspective view of a water gun in accordance with our new design;
FIG. 2 is a top plan view thereof;
FIG. 3 is a right side elevational view thereof;
FIG. 4 is a front elevational view thereof;
FIG. 5 is a rear elevational view thereof;
FIG. 6 is a bottom plan view thereof; and,
FIG. 7 is a left side elevational view thereof.

1 Claim, 4 Drawing Sheets



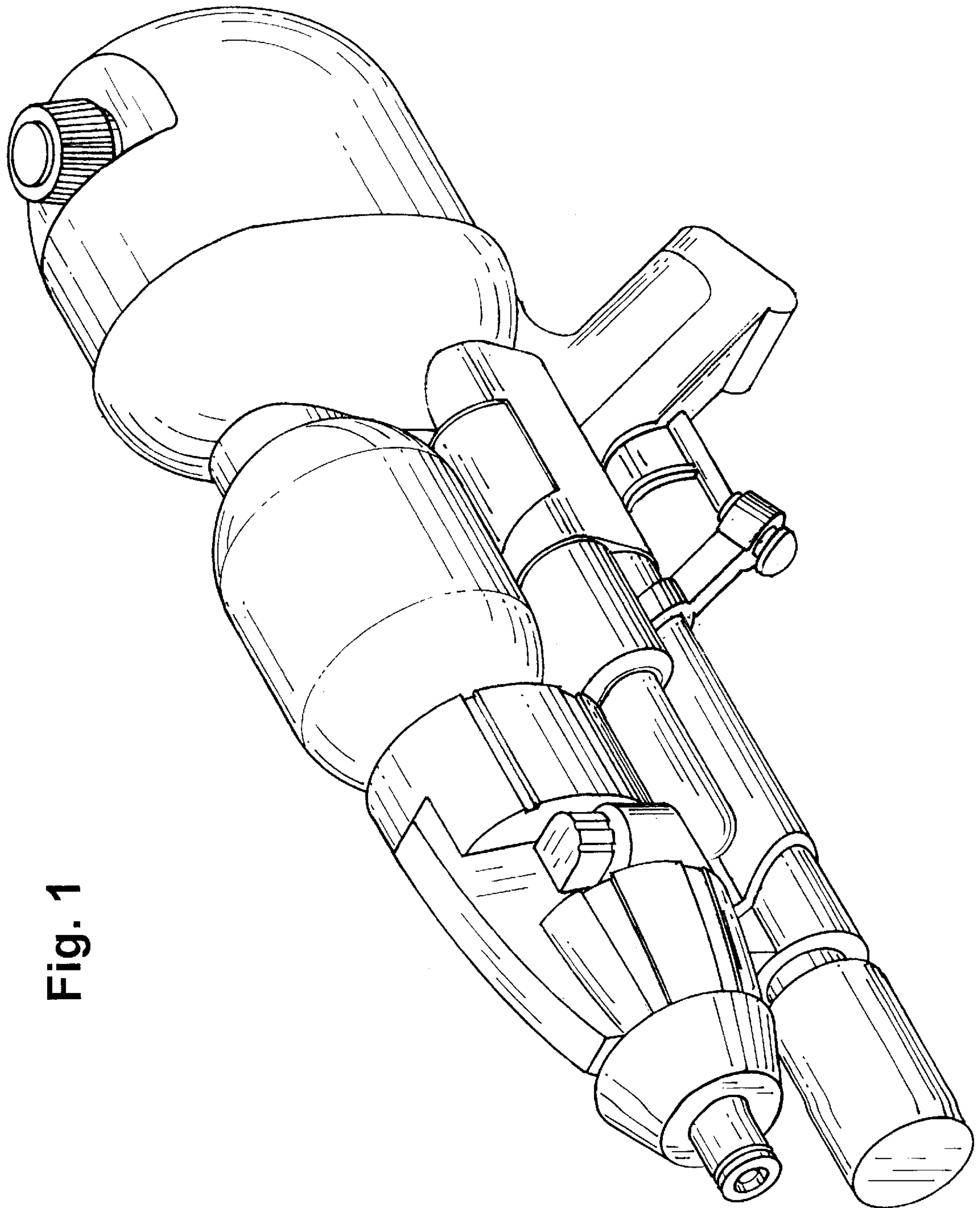


Fig. 1

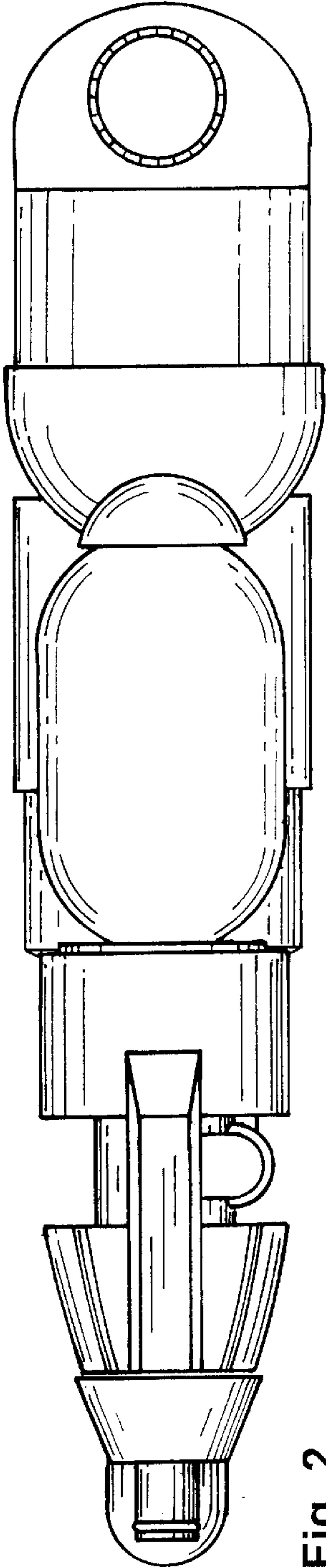


Fig. 2

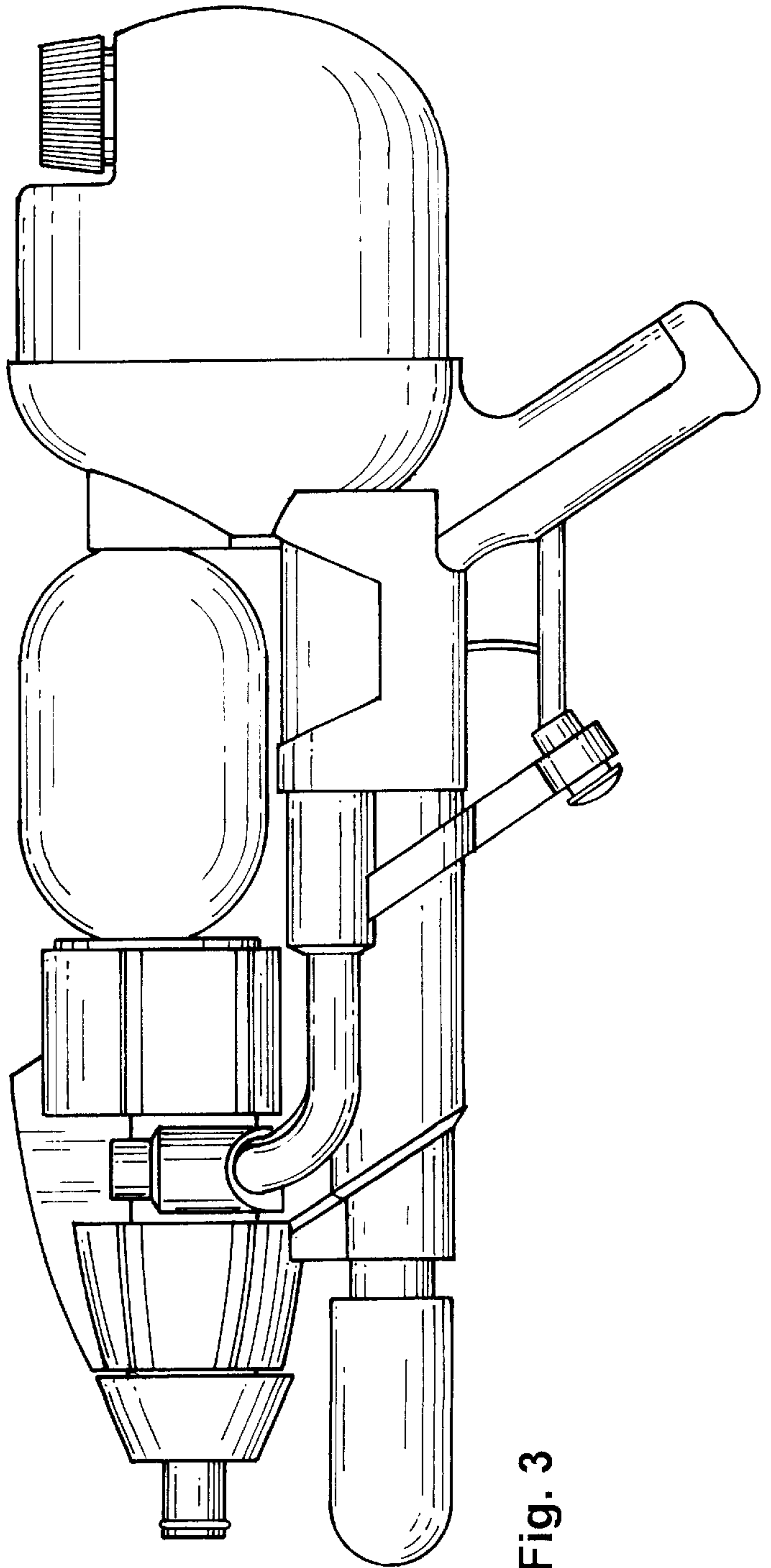


Fig. 3

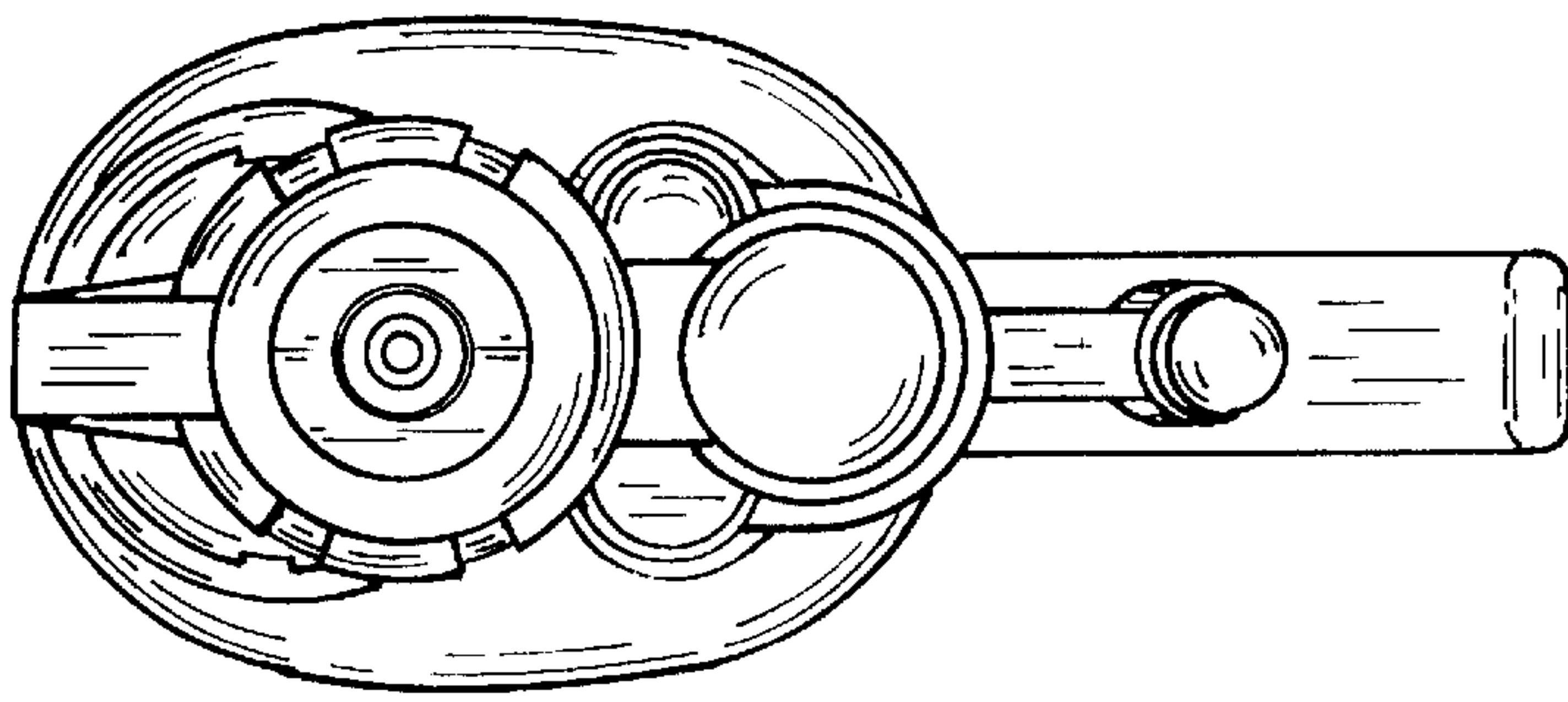


Fig. 4

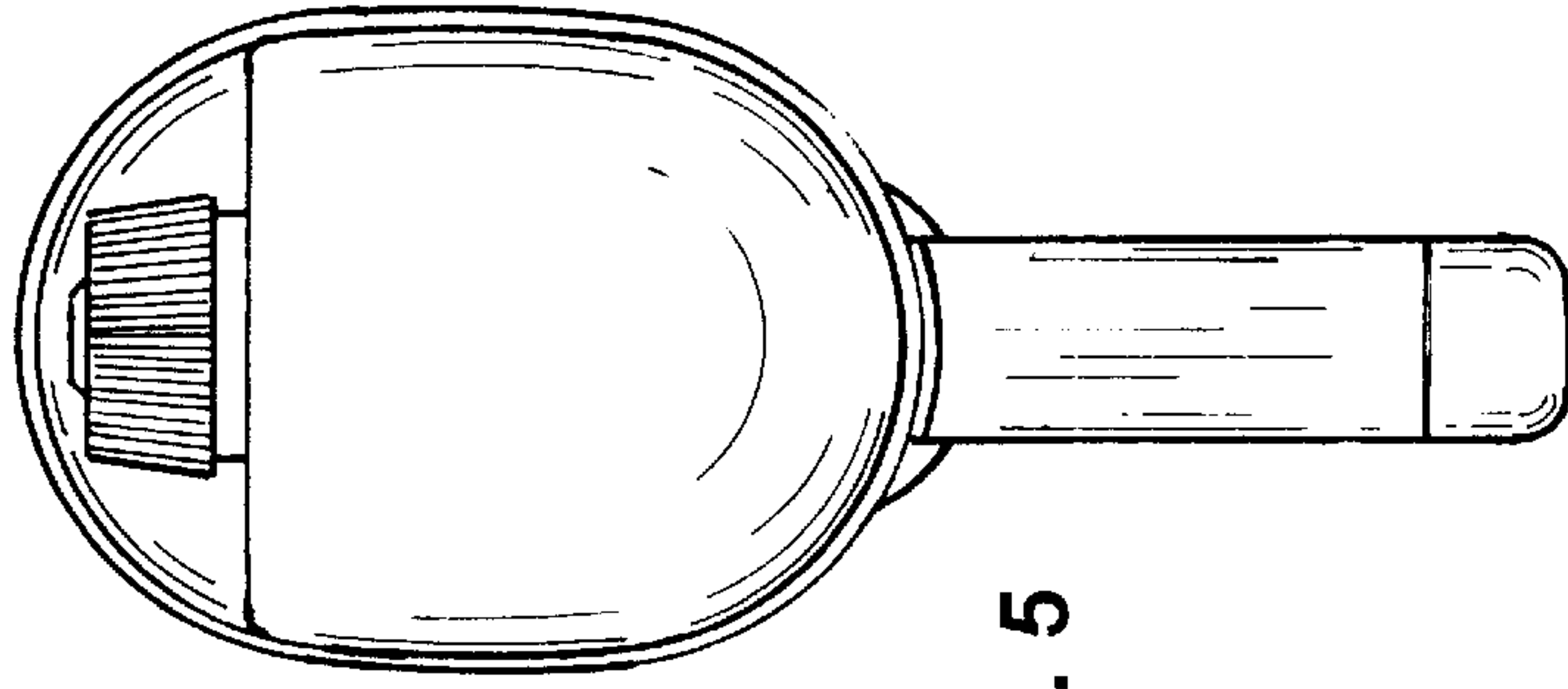


Fig. 5

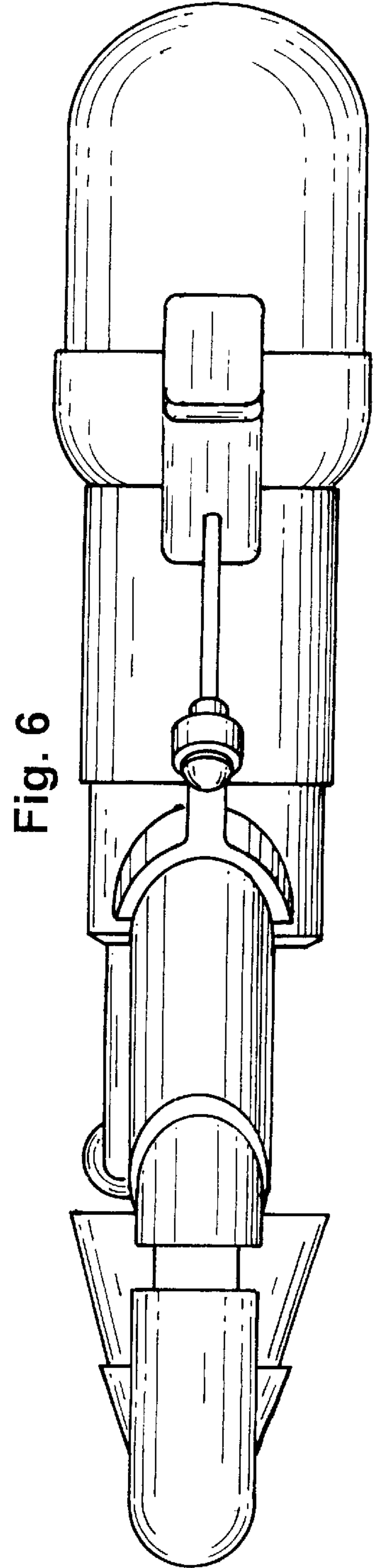


Fig. 6

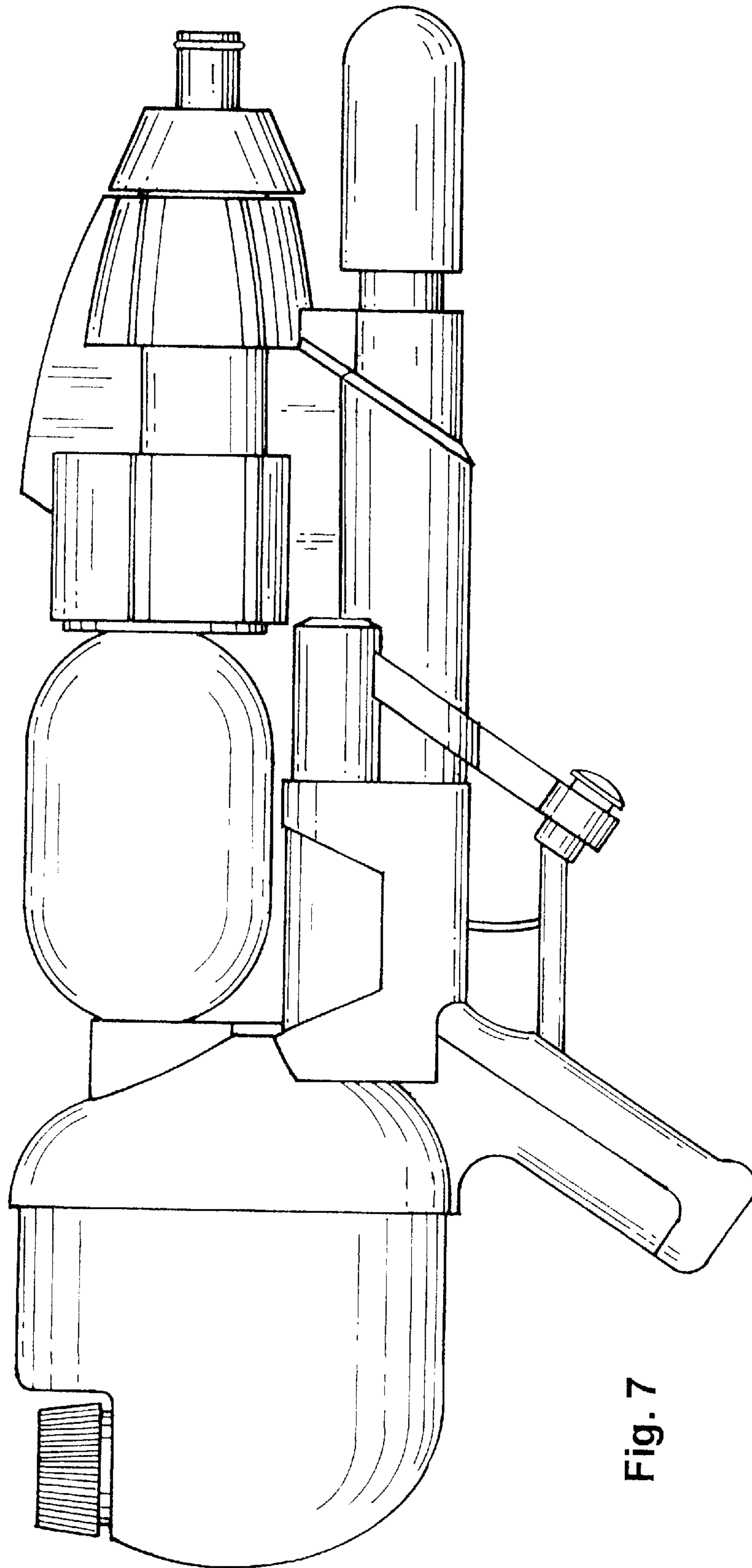


Fig. 7