



US00D423061S

# United States Patent [19] Raundahl

[11] Patent Number: **Des. 423,061**

[45] Date of Patent: **\*\* Apr. 18, 2000**

[54] **TOY BUILDING ELEMENT**

OTHER PUBLICATIONS

[75] Inventor: **Christoffer Raundahl**, Kolding, Denmark

Lego Catalog, P 25 # 5131, Jan. 1997.

[73] Assignee: **INTERLEGO AG**, Baar, Switzerland

*Primary Examiner*—Raphael Barkai  
*Attorney, Agent, or Firm*—Pitney, Hardin, Kipp and Szuch LLP

[\*\*] Term: **14 Years**

[57] **CLAIM**

[21] Appl. No.: **29/095,006**

The ornamental design for a toy building element, as shown and described.

[22] Filed: **Oct. 14, 1998**

**DESCRIPTION**

[51] **LOC (6) Cl.** ..... **21-01**

[52] **U.S. Cl.** ..... **D21/486**

[58] **Field of Search** ..... D21/484-505,  
D21/561; 446/85, 88, 93-96, 102-104,  
107, 119-125, 126, 128

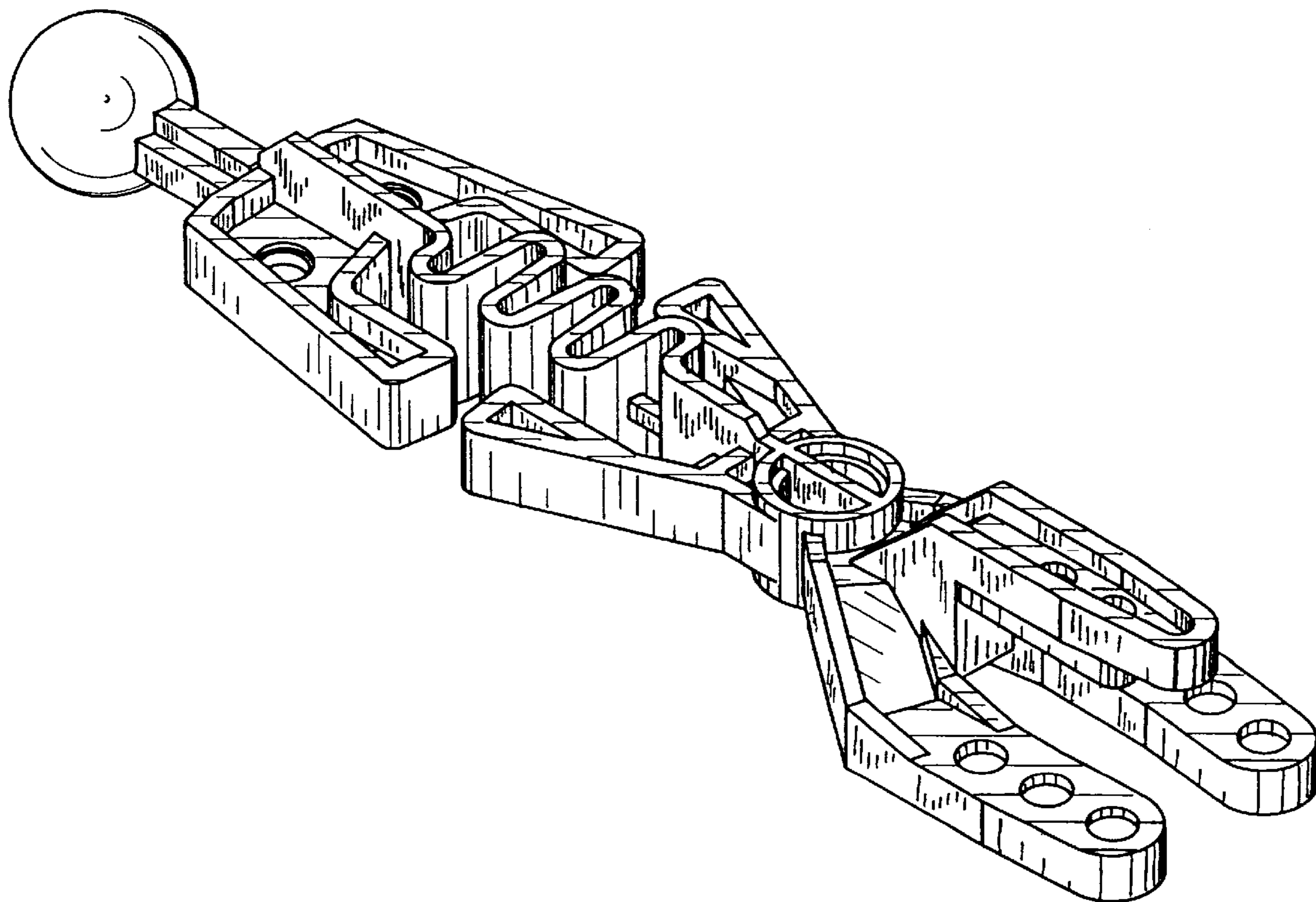
FIG. 1 is a top perspective view of the toy building element, FIG. 2 is a top plan view thereof, FIG. 3 is a front elevational view thereof, FIG. 4 is a bottom plan view thereof, FIG. 5 is a right side elevational view thereof, FIG. 6 is a left side elevational view thereof, FIG. 7 is rear elevational view thereof; and, FIG. 8 is a bottom perspective view thereof.

[56] **References Cited**

**U.S. PATENT DOCUMENTS**

D. 352,746	11/1994	Hatting	.....	D21/502
3,747,261	7/1973	Salem	.....	446/104
5,769,681	6/1998	Greenwood, Sr. et al.	.....	446/120

**1 Claim, 3 Drawing Sheets**



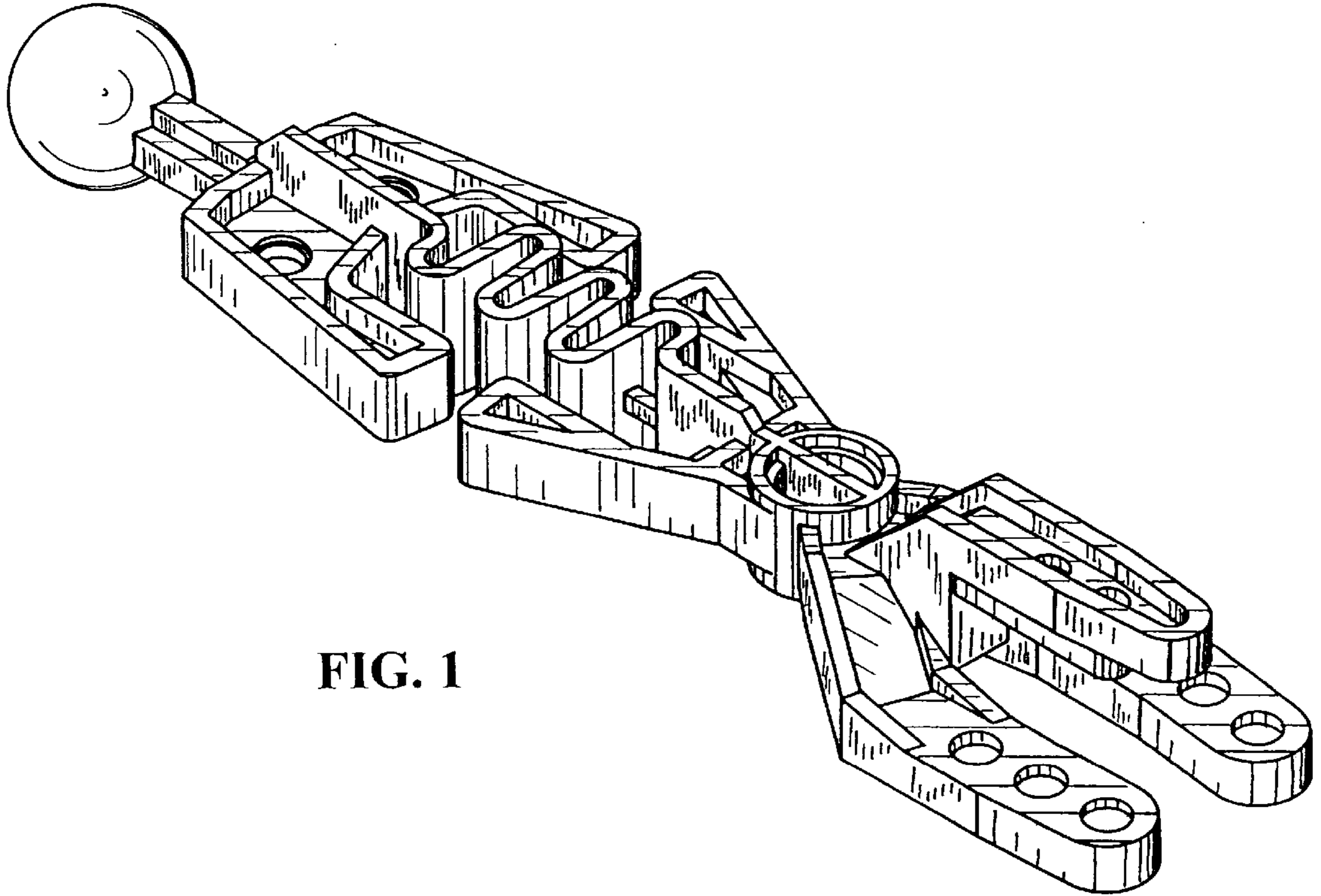


FIG. 1

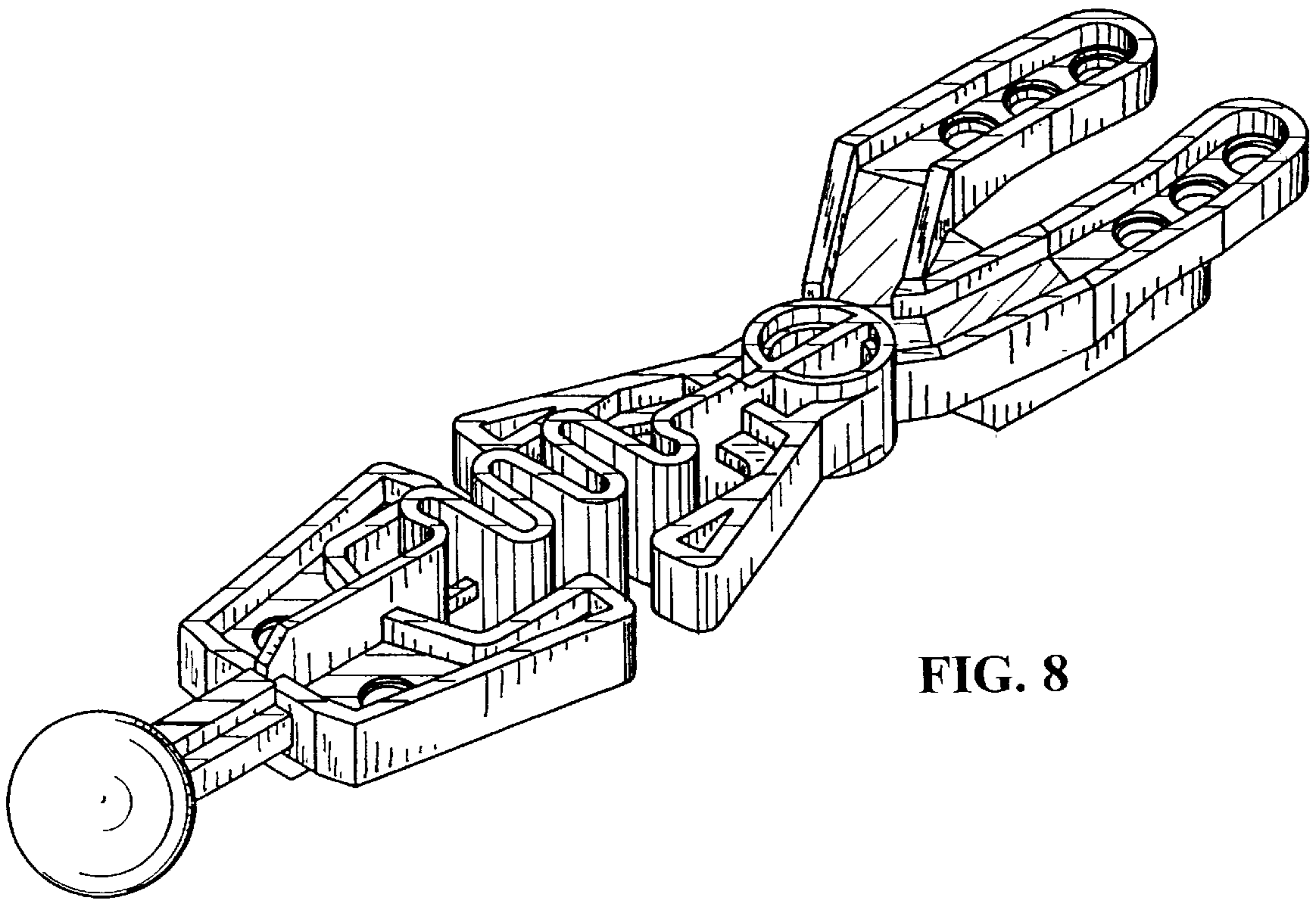


FIG. 8

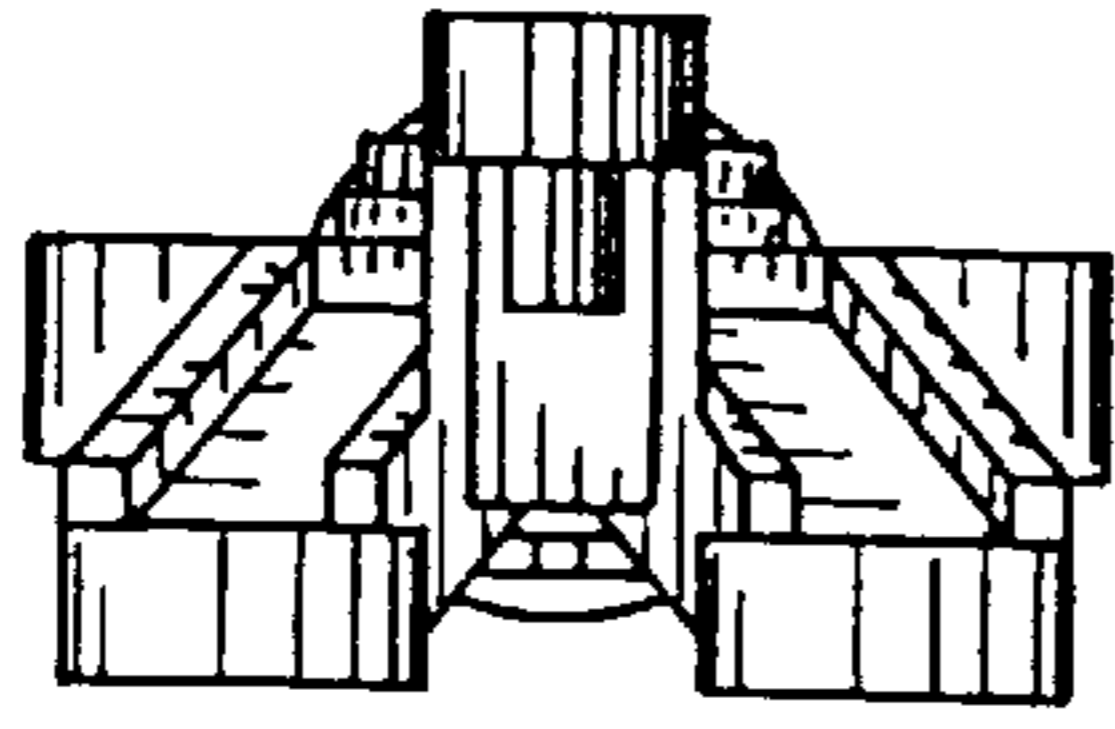


FIG. 7

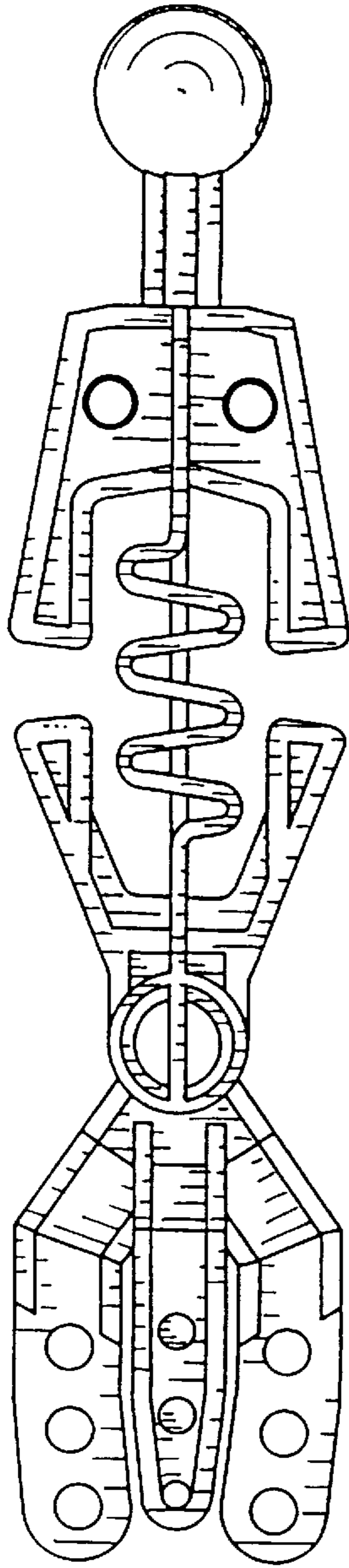


FIG. 2

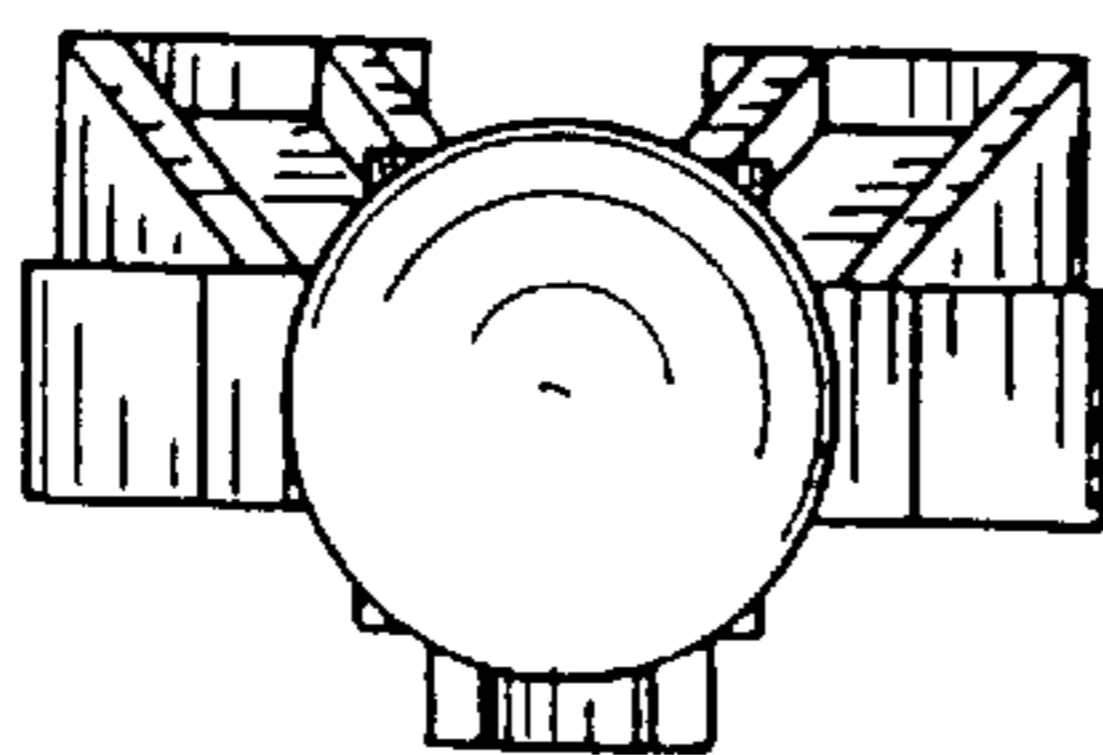


FIG. 3

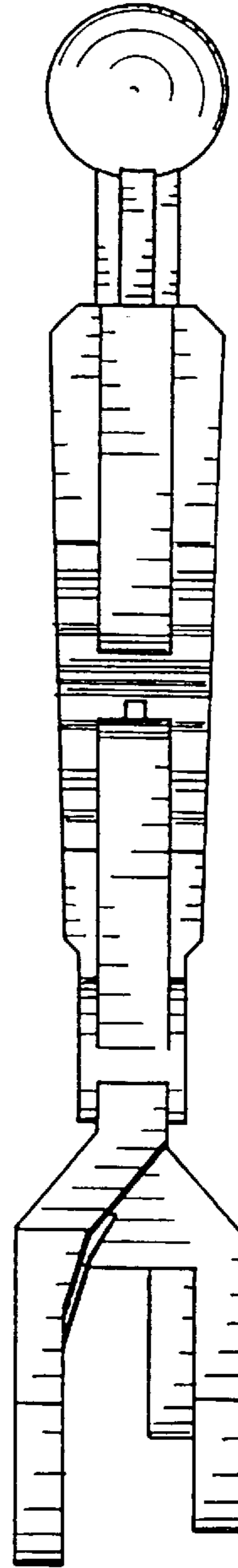


FIG. 5

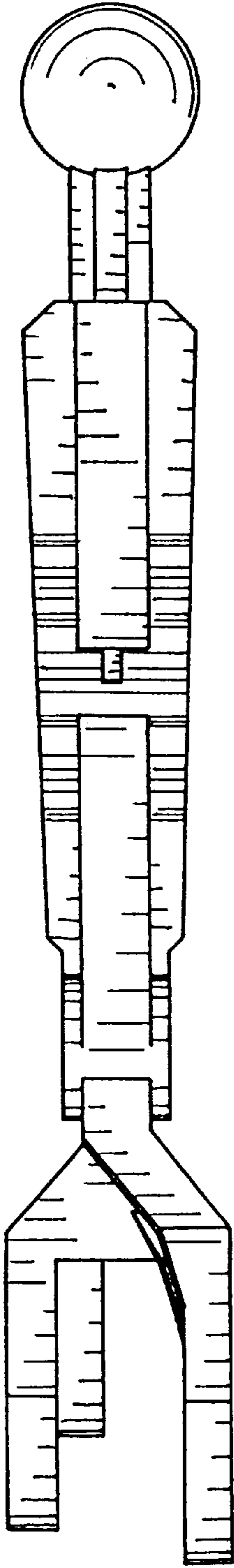


FIG. 6

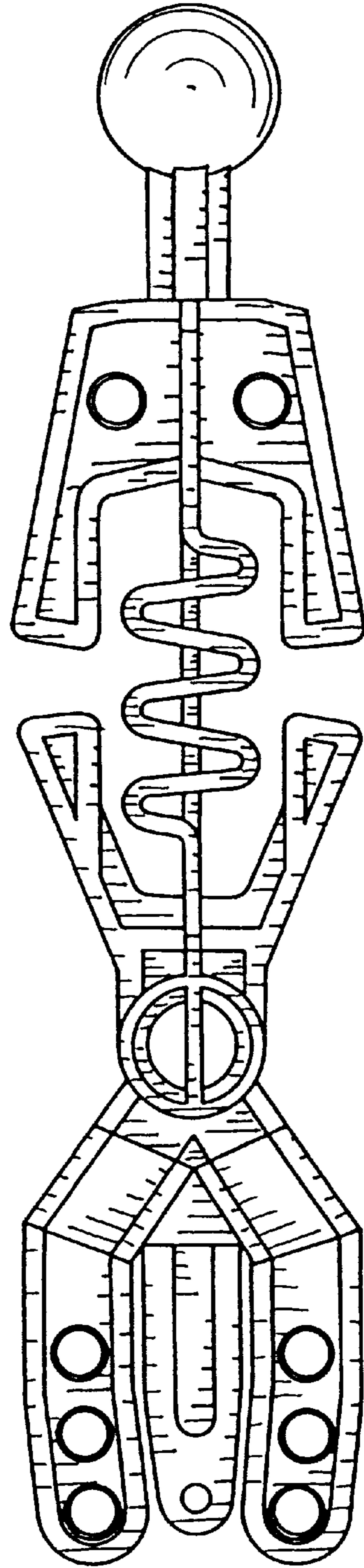


FIG. 4