



US00D423060S

United States Patent [19]

Clark et al.

[11] Patent Number: **Des. 423,060**

[45] Date of Patent: **** Apr. 18, 2000**

[54] **TOY BASEBALL PITCHING MACHINE**
[75] Inventors: **Bradley M. Clark**, Florence, Ky.;
Gregory J. Doherty, Cincinnati, Ohio

[73] Assignee: **Hasbro, Inc.**, Pawtucket, R.I.

[**] Term: **14 Years**

[21] Appl. No.: **29/098,922**

[22] Filed: **Jan. 8, 1999**

[51] **LOC (6) Cl.** **21-01**

[52] **U.S. Cl.** **D21/483; D21/720**

[58] **Field of Search** D21/483, 720,
D21/722; 124/1, 6, 7, 36, 51.1, 56, 20.1,
78; 473/427

[56] **References Cited**

U.S. PATENT DOCUMENTS

D. 278,841	5/1985	Giovagnoli	D21/720
D. 335,514	5/1993	Ramirez	D21/720
1,211,738	1/1917	Marty	124/6

4,552,120	11/1985	Nall et al.	124/1
4,705,014	11/1987	Kahelin	124/1
5,050,574	9/1991	Ramirez	124/3
5,590,876	1/1997	Sejnowski	473/417
5,611,321	3/1997	Hoeting et al.	124/6
5,771,621	6/1998	Rogers	124/56

Primary Examiner—Raphael Barkai
Attorney, Agent, or Firm—Hasbro, Inc.

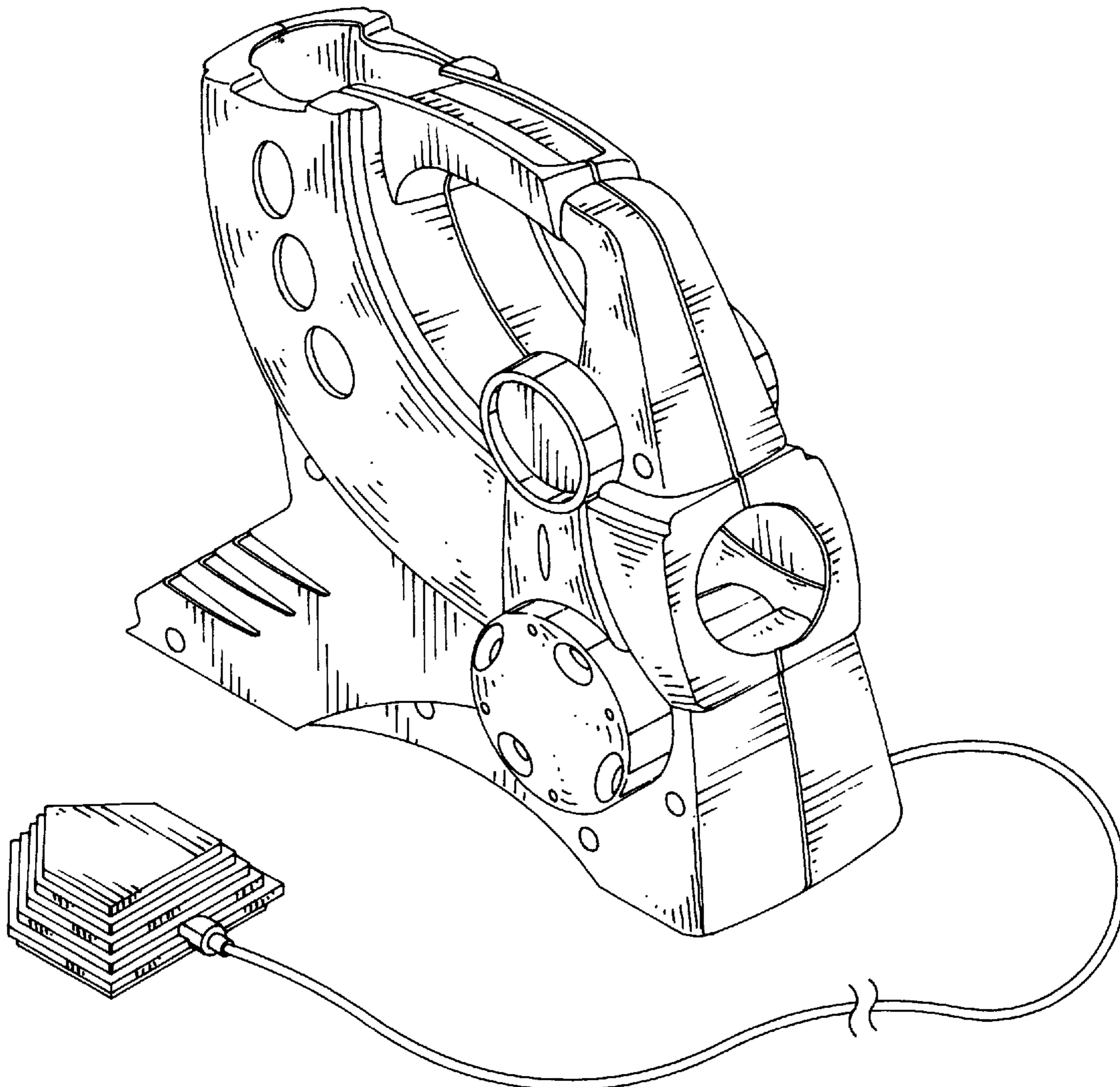
[57] **CLAIM**

The ornamental design for a toy baseball pitching machine, as shown.

DESCRIPTION

FIG. 1 is a front perspective view of the toy baseball pitching machine of the subject invention;
FIG. 2 is a left side elevational view thereof;
FIG. 3 is a right side elevational view thereof;
FIG. 4 is a front elevational view thereof;
FIG. 5 is a rear elevational view thereof;
FIG. 6 is a top plan view thereof; and,
FIG. 7 is a bottom plan view thereof.

1 Claim, 4 Drawing Sheets



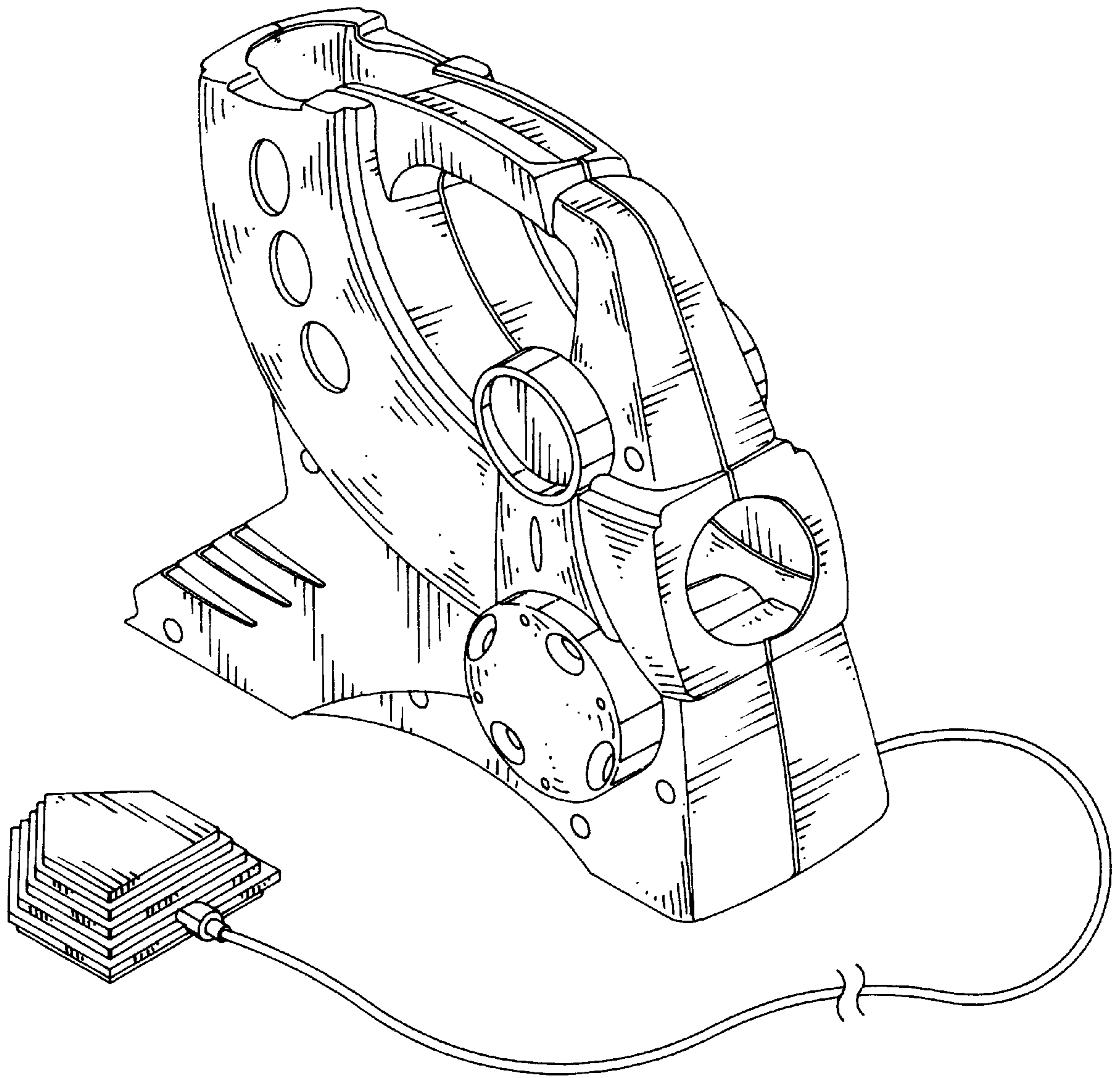


FIG. 1

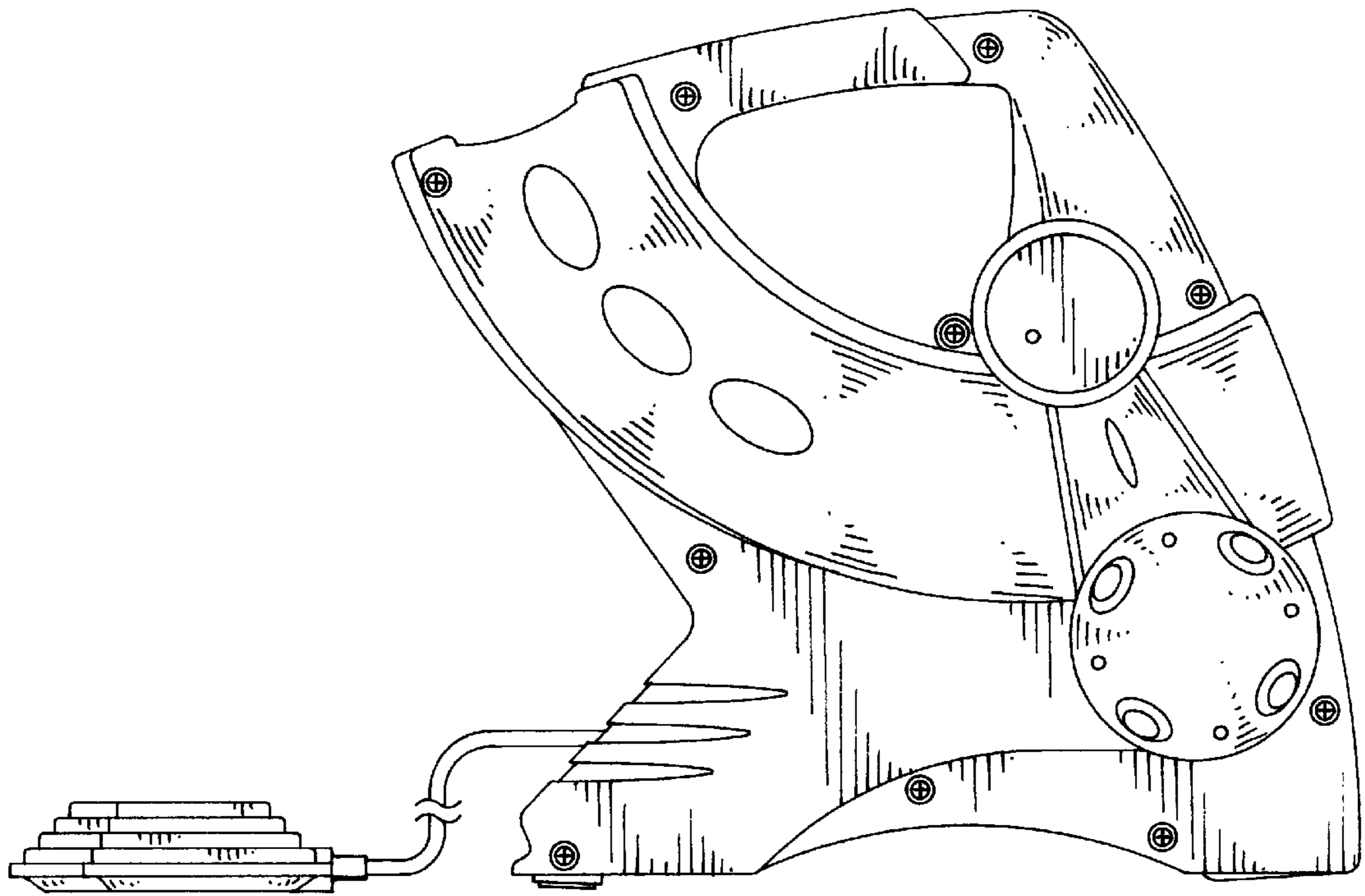


FIG. 2

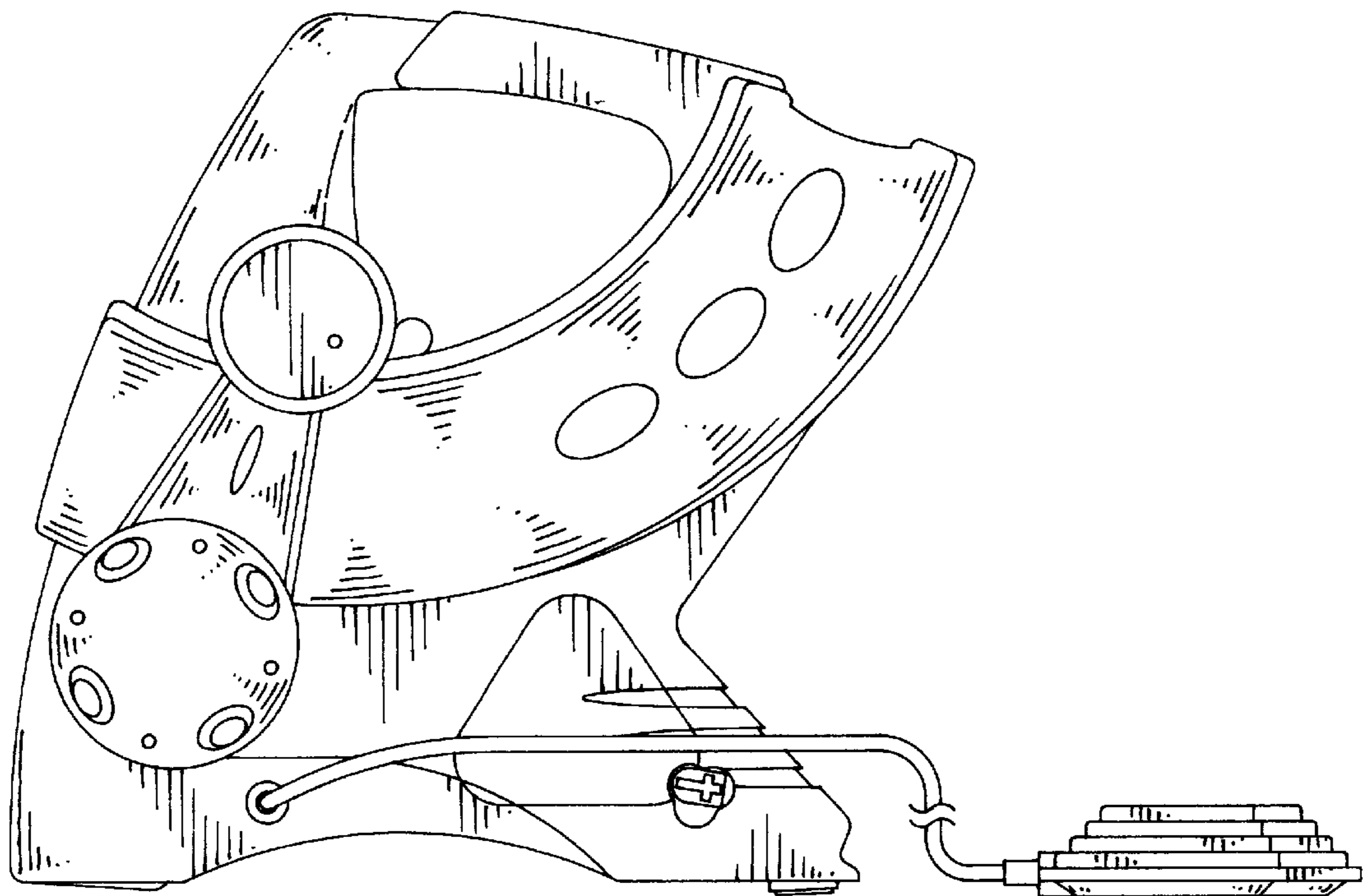


FIG. 3

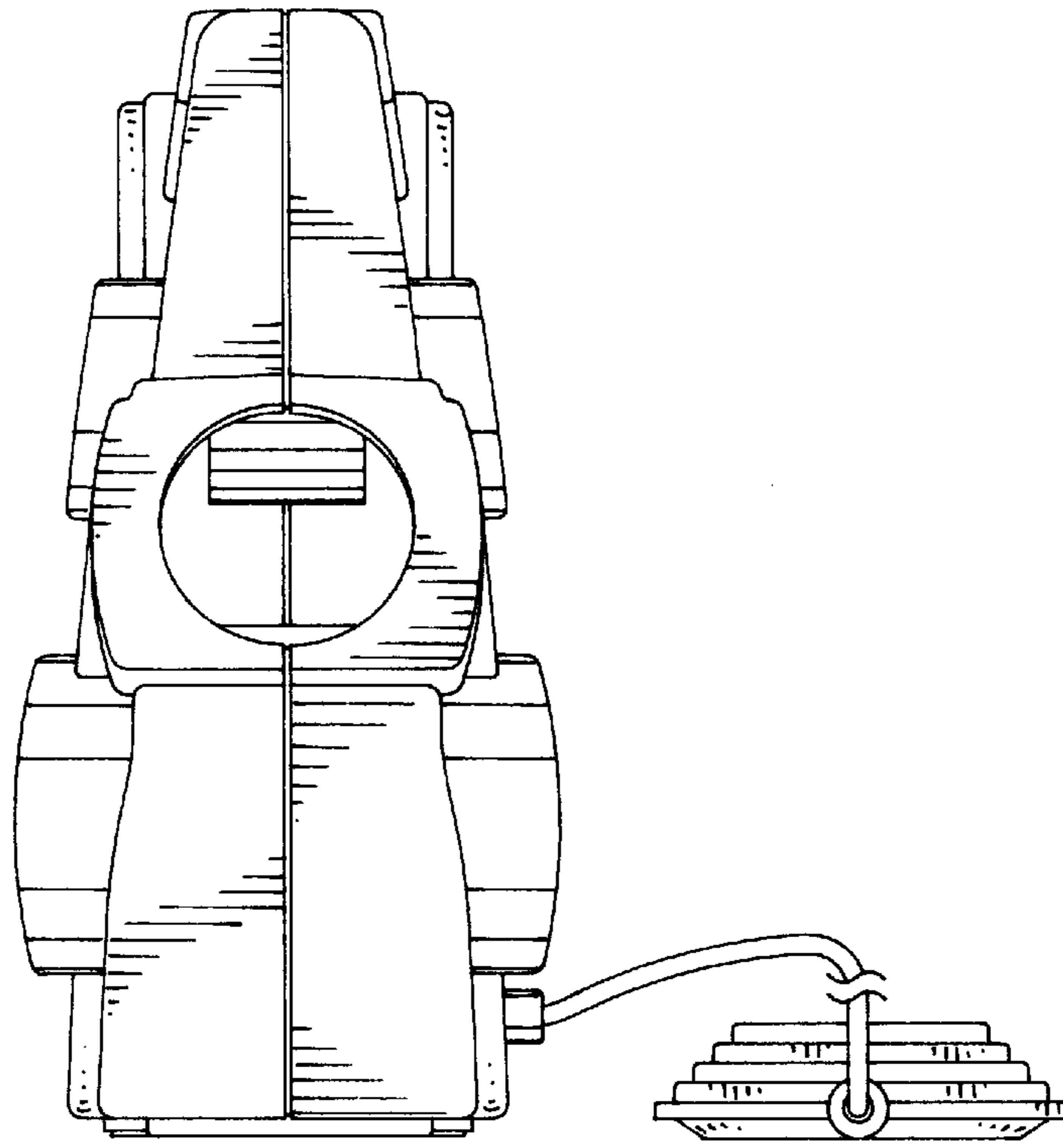


FIG. 4

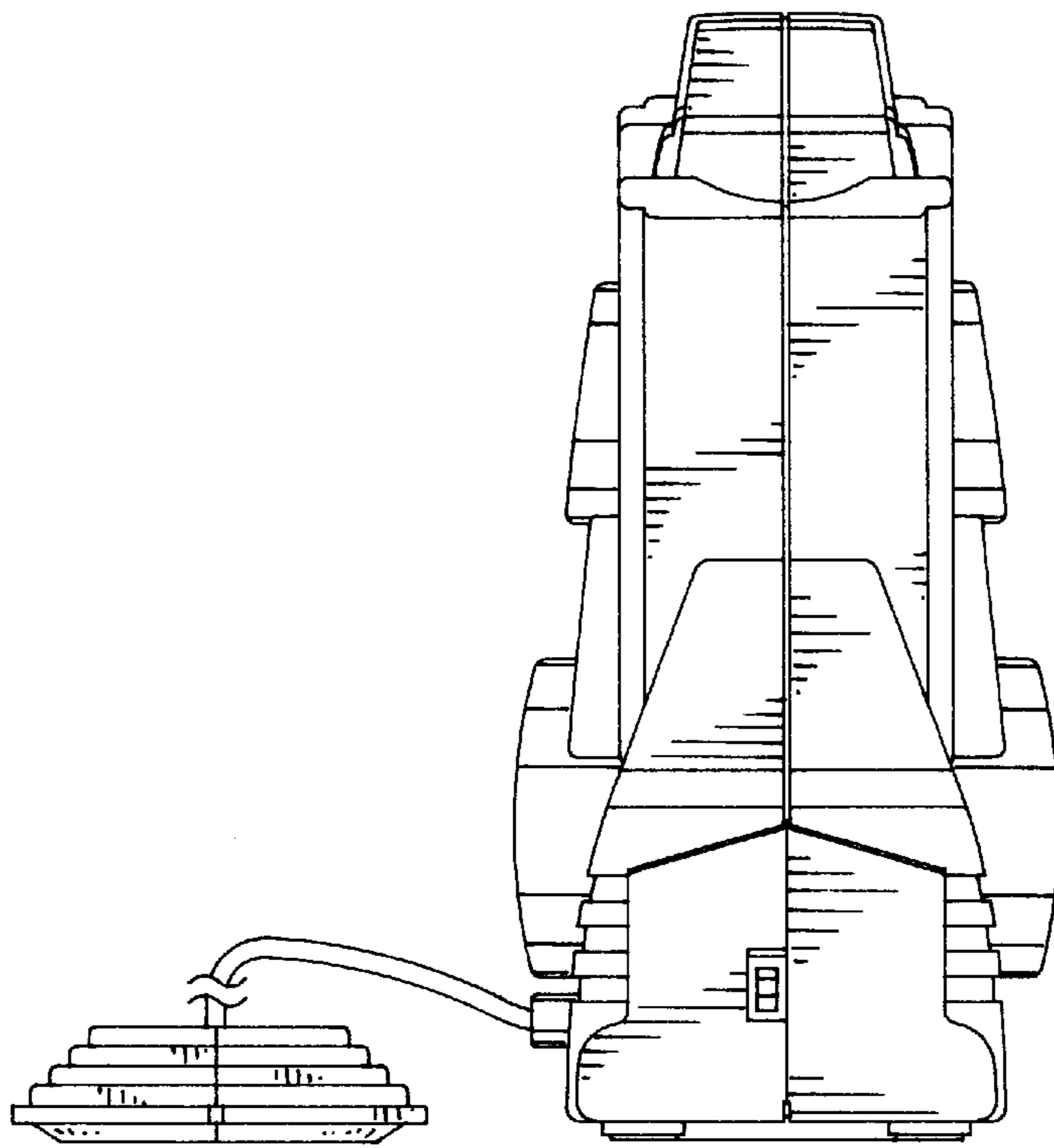


FIG. 5

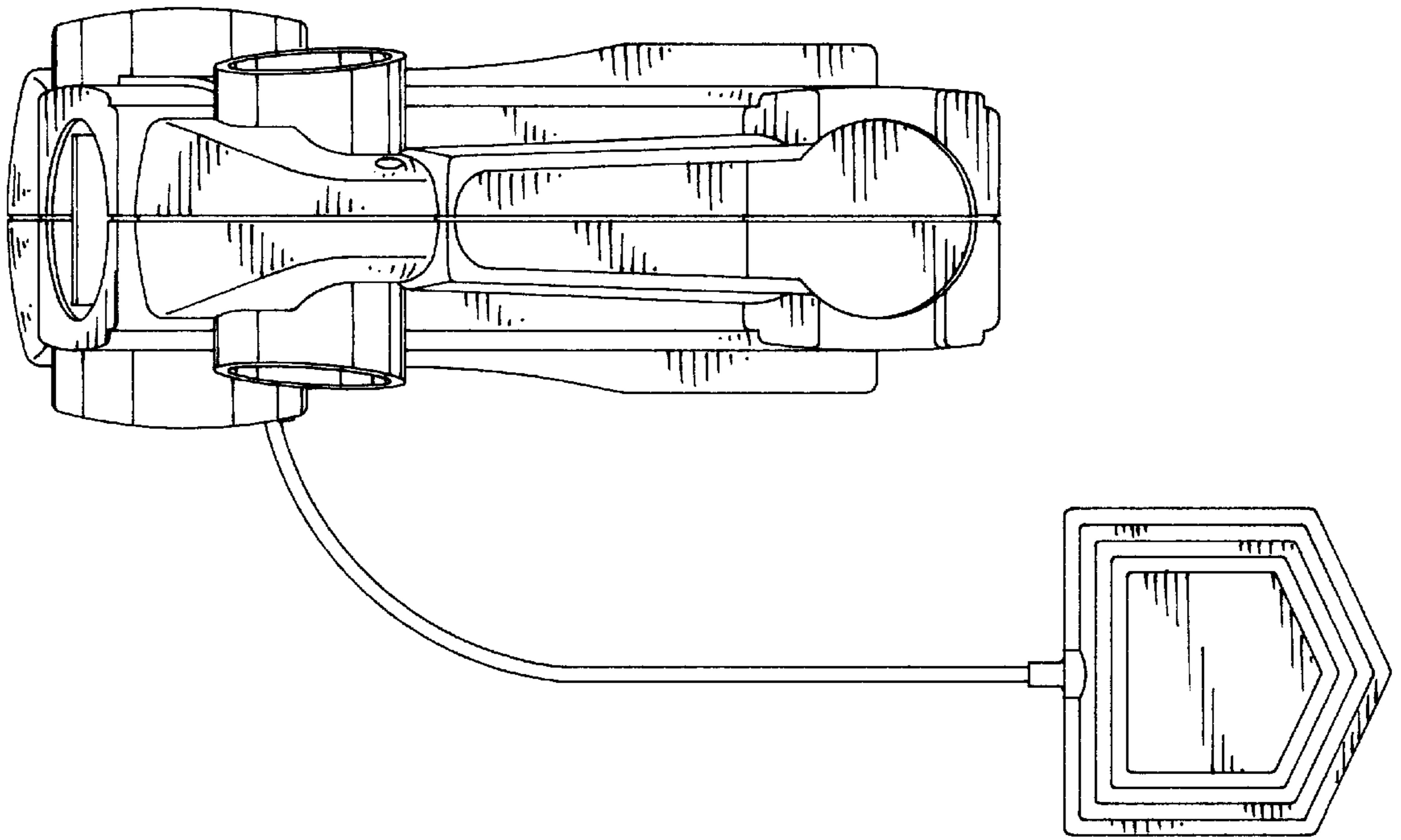


FIG. 6

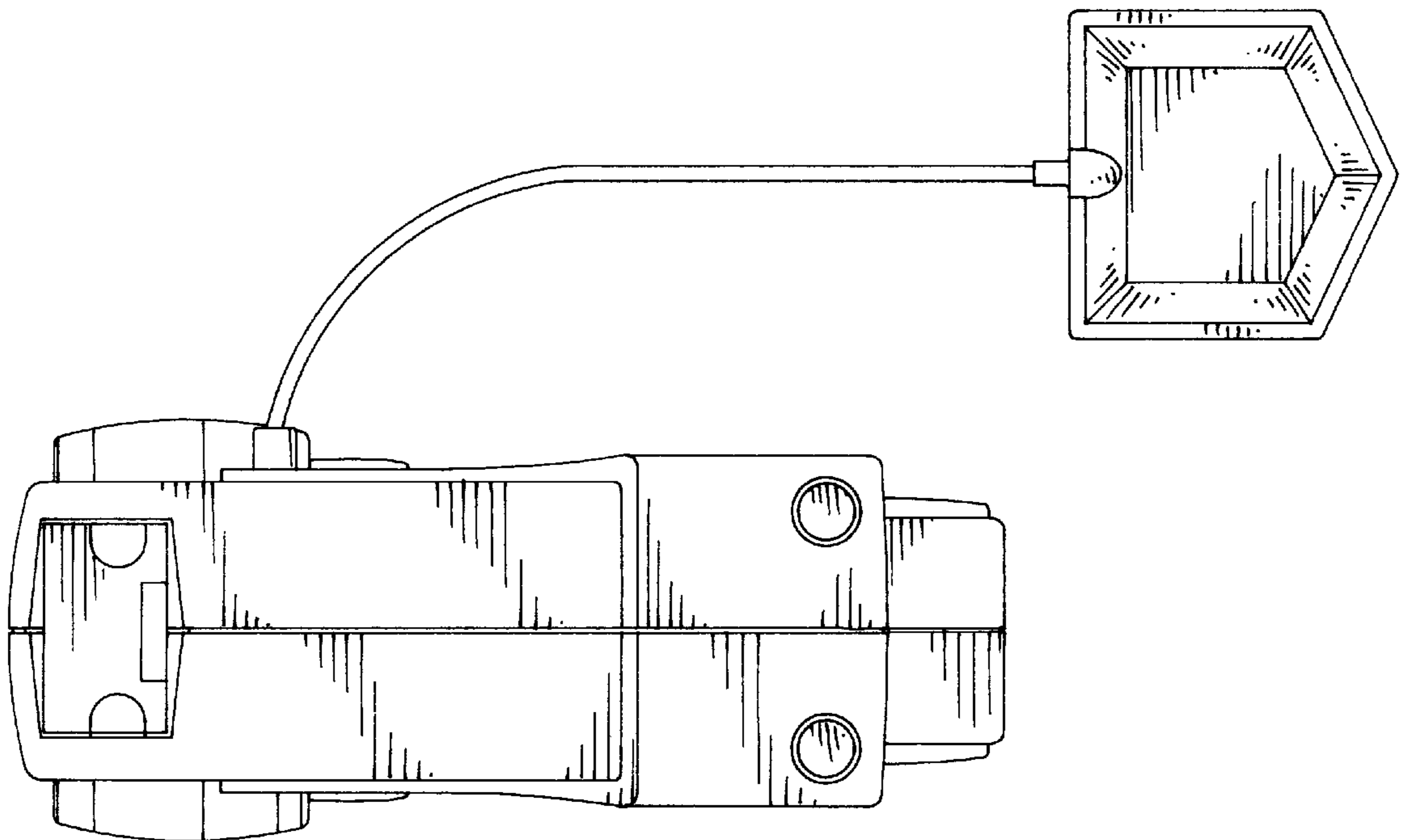


FIG. 7