



US00D423059S

United States Patent [19] Chuan

[11] **Patent Number: Des. 423,059**

[45] **Date of Patent: ** Apr. 18, 2000**

[54] **CHILDREN'S RIDE-ON VEHICLE**

D. 344,298 2/1994 Gault D21/424
5,489,232 2/1996 Chang 446/440

[75] Inventor: **Chang Ling Chuan**, Tai Pao, Taiwan

OTHER PUBLICATIONS

[73] Assignee: **Link Treasure Limited**, Tortola, Virgin Islands (Br.)

Hong Kong Toys, p. 293, Feb. 1997.

Tomy Toy Catalog, p. 33, 1987.

[**] Term: **14 Years**

Primary Examiner—Raphael Barkai

Attorney, Agent, or Firm—W. Wayne Liauh

[21] Appl. No.: **29/102,656**

[57] CLAIM

[22] Filed: **Mar. 29, 1999**

The ornamental design for children's ride-on vehicle, as shown and described.

[51] **LOC (6) Cl.** **21-01**

DESCRIPTION

[52] **U.S. Cl.** **D21/432**

[58] **Field of Search** D21/419-435,
D21/533, 538, 549-551; D12/87-88, 107,
110, 112; 446/440, 454, 456, 465, 470;
280/87.01, 87.021, 282; 180/233, 311, 315,
225, 229

FIG. 1 is a perspective view of children's ride-on vehicle, showing my new design with the cover on;

FIG. 2 is right side elevational view;

FIG. 3 is a top view;

FIG. 4 is a front elevational view;

FIG. 5 is a bottom view;

FIG. 6 is a left side elevational view; and,

FIG. 7 is a back view.

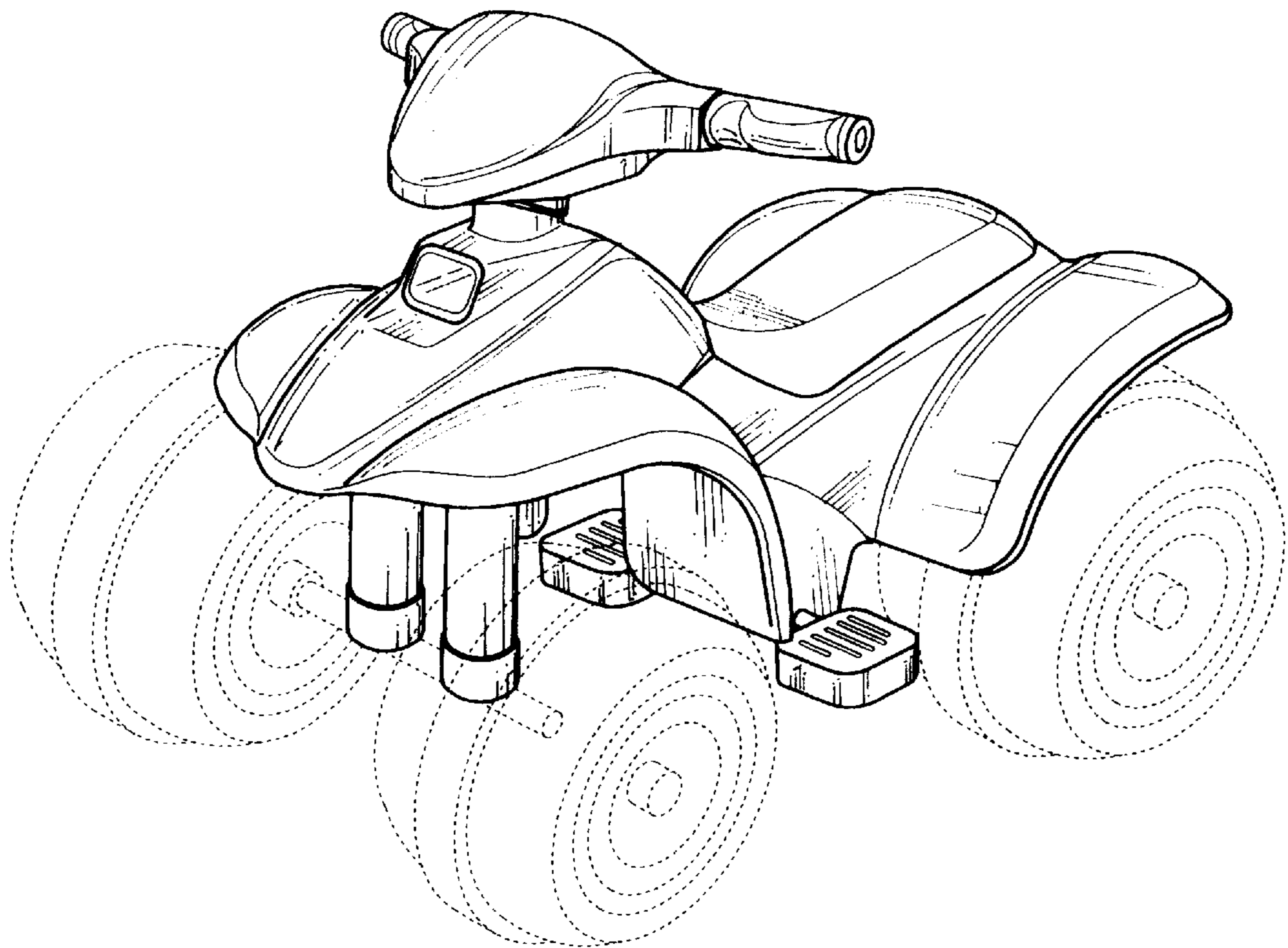
The broken lines shown in FIGS. 1-7 are for illustrative purposes only and form no part of the claimed design.

[56] References Cited

U.S. PATENT DOCUMENTS

D. 295,153 4/1988 Ryuzonji et al. D12/107
D. 298,745 11/1988 Takagaki D12/107
D. 327,512 6/1992 Harrod D21/432
D. 337,973 8/1993 Mariol D12/112

1 Claim, 7 Drawing Sheets



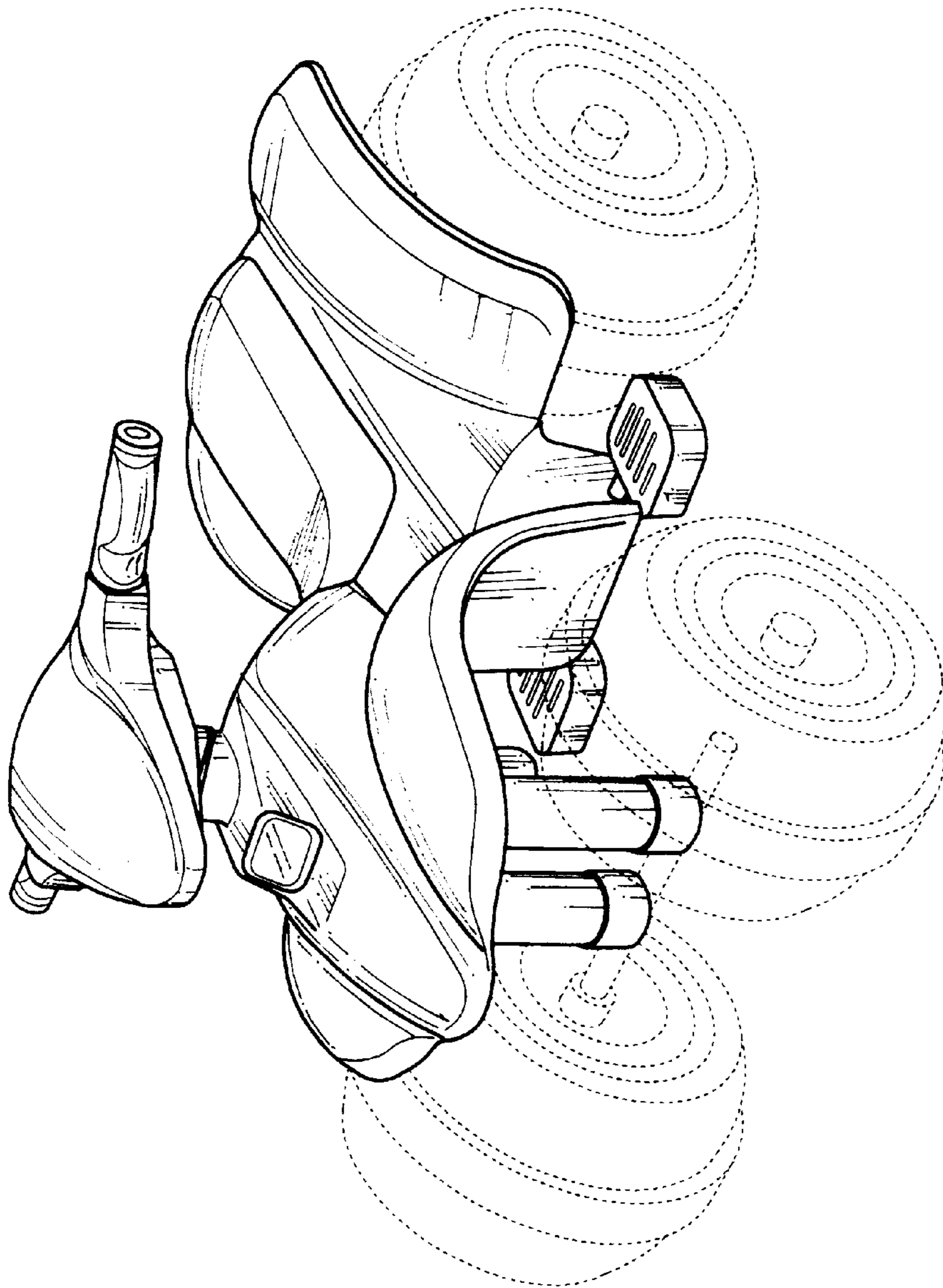


FIG. 1

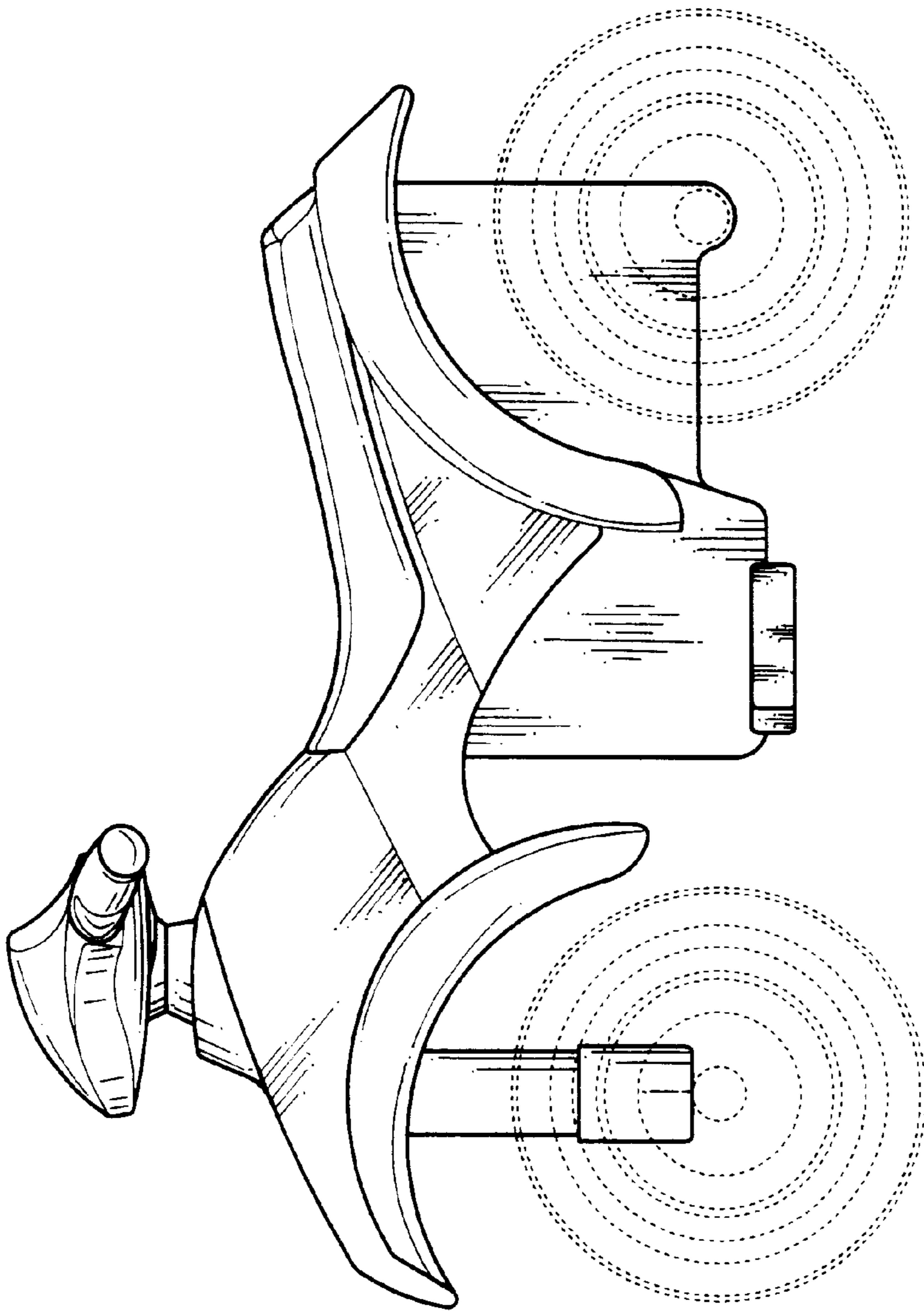


FIG. 2

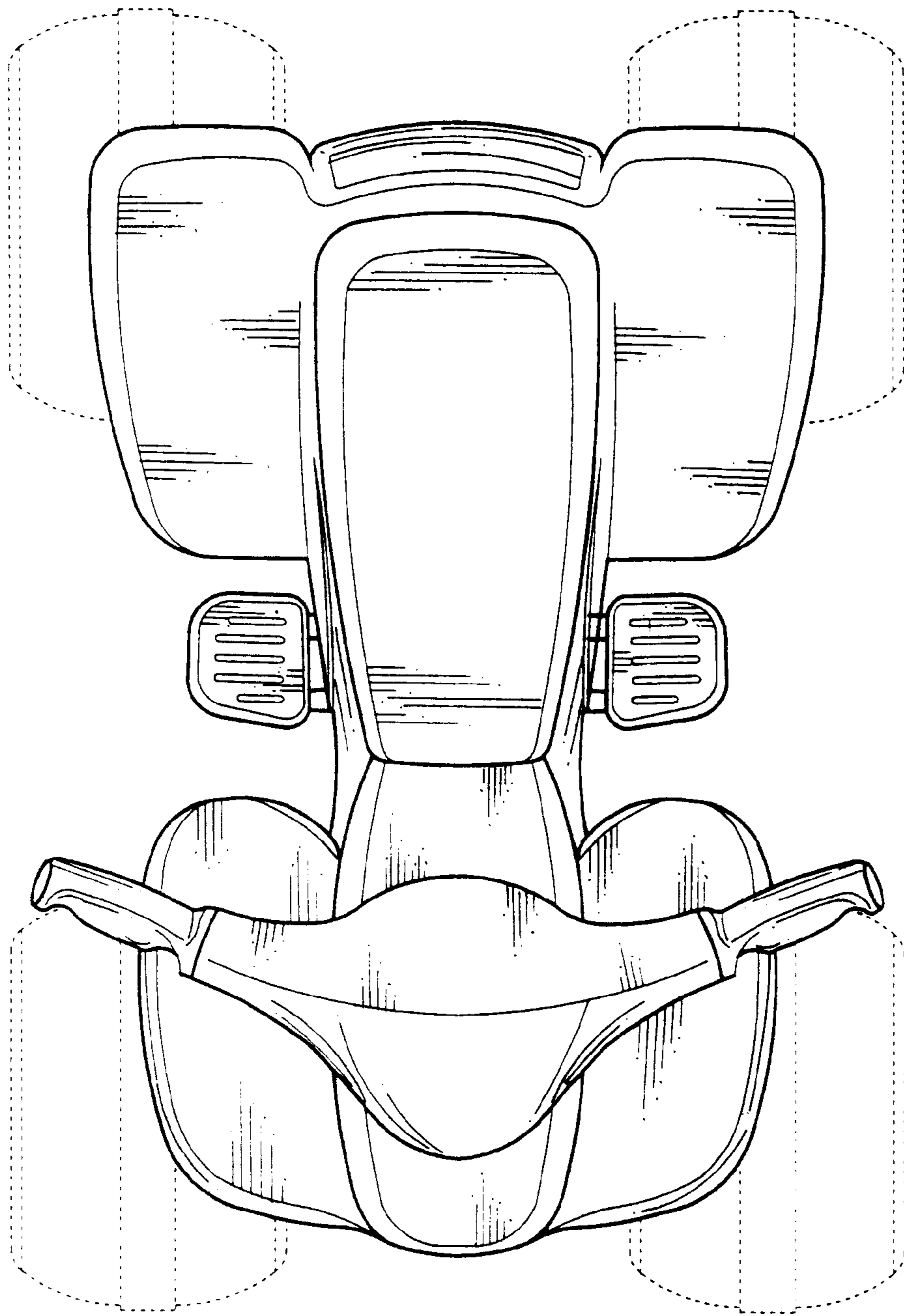


FIG. 3

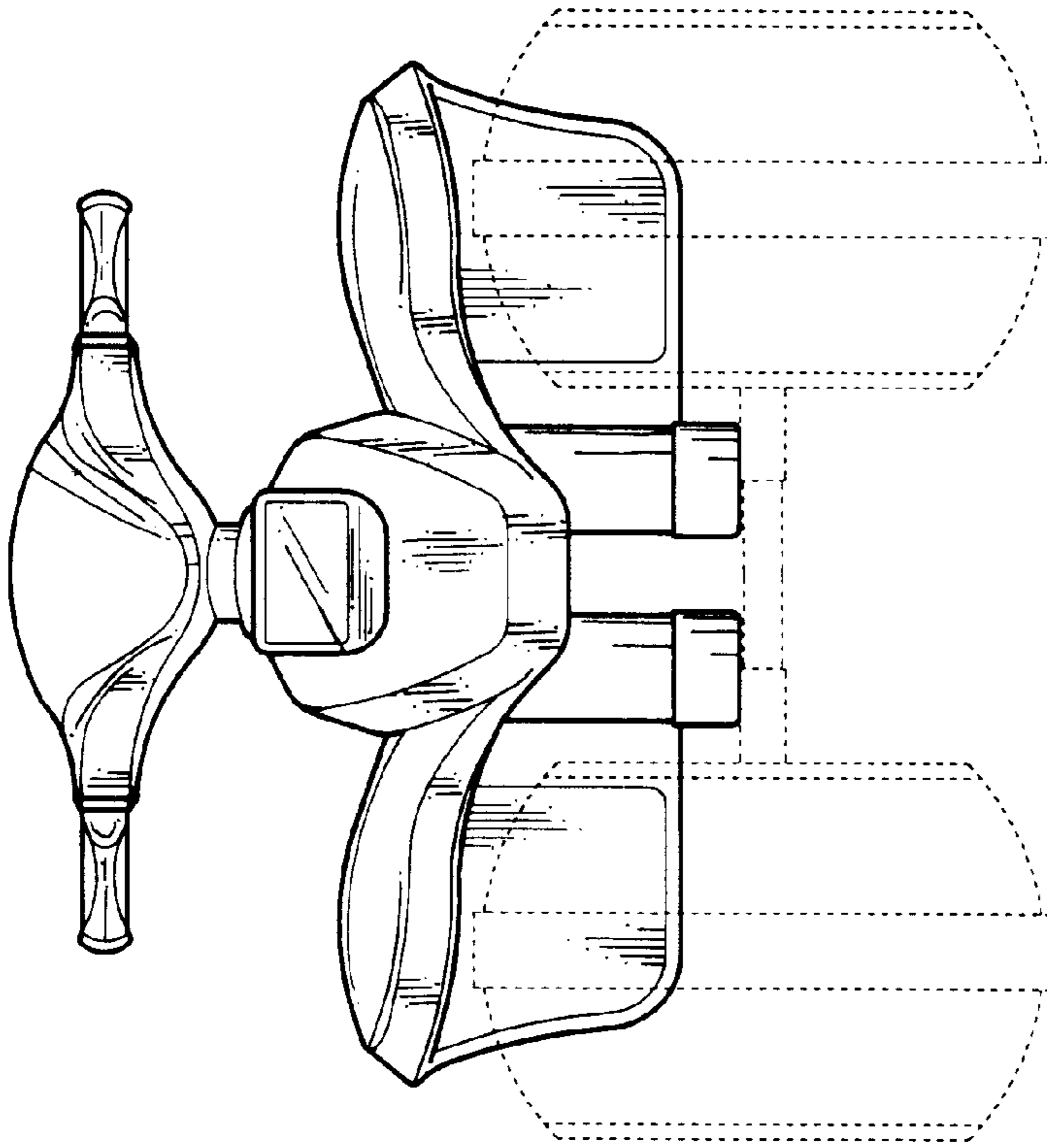


FIG. 4

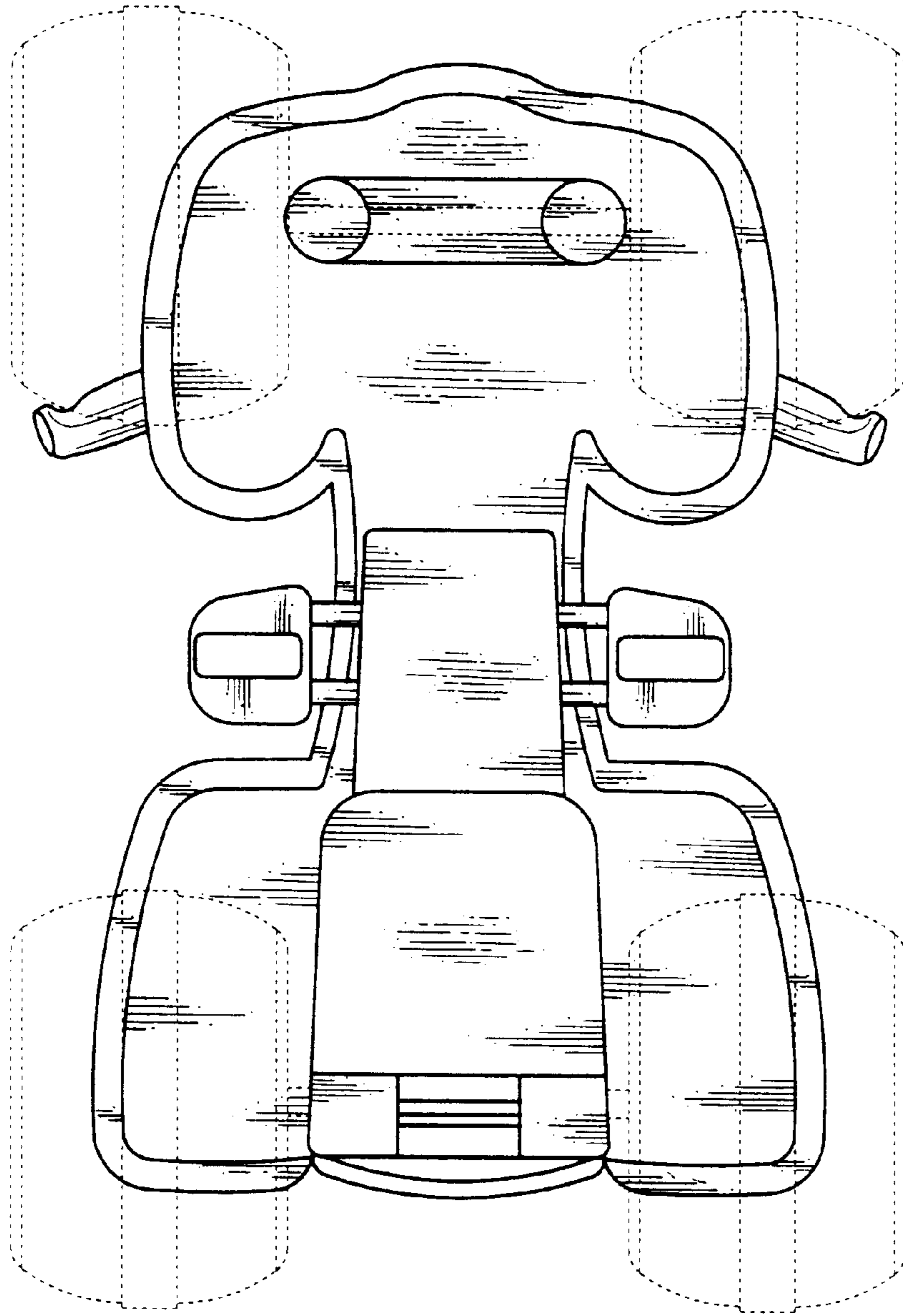


FIG. 5

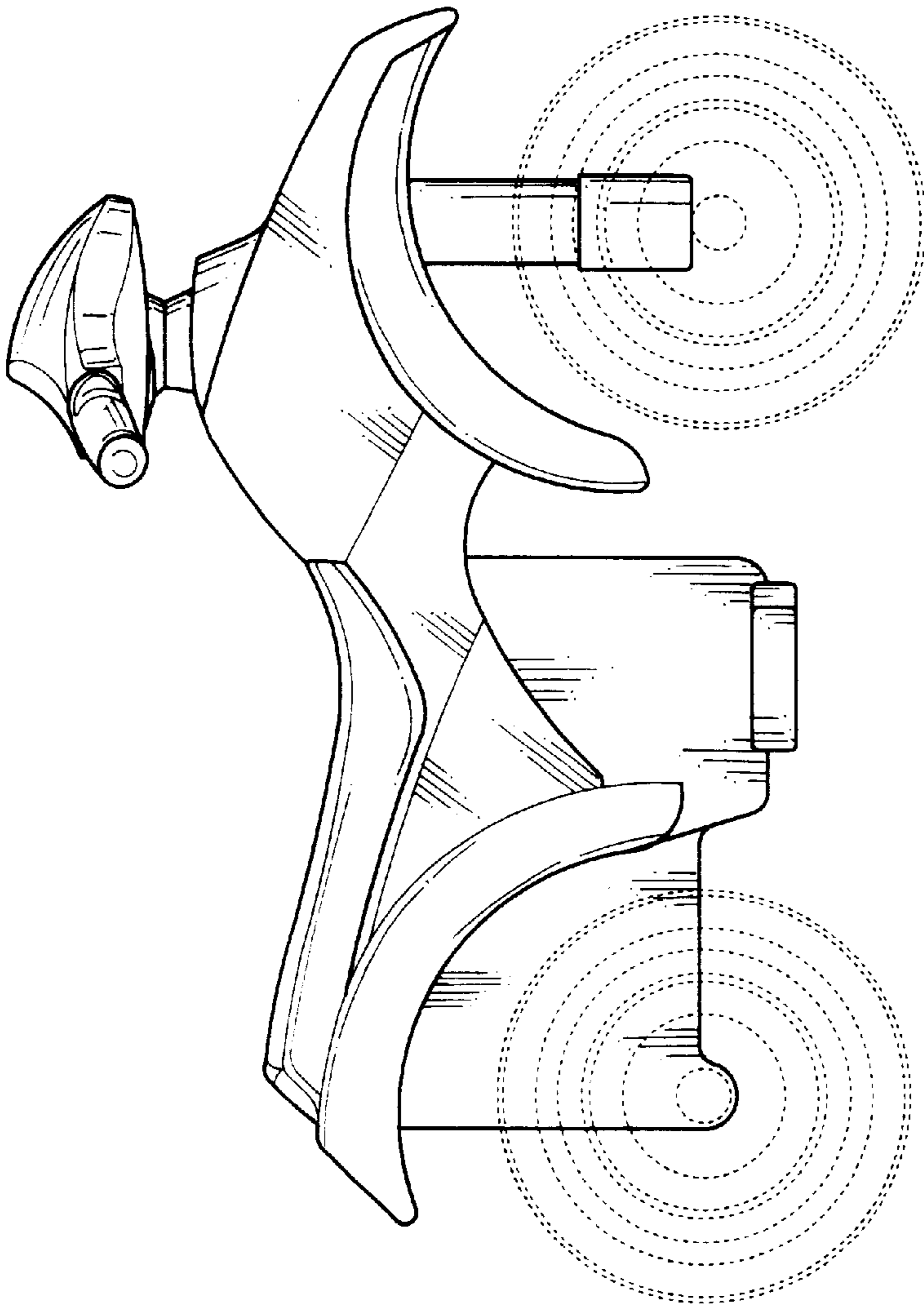


FIG. 6

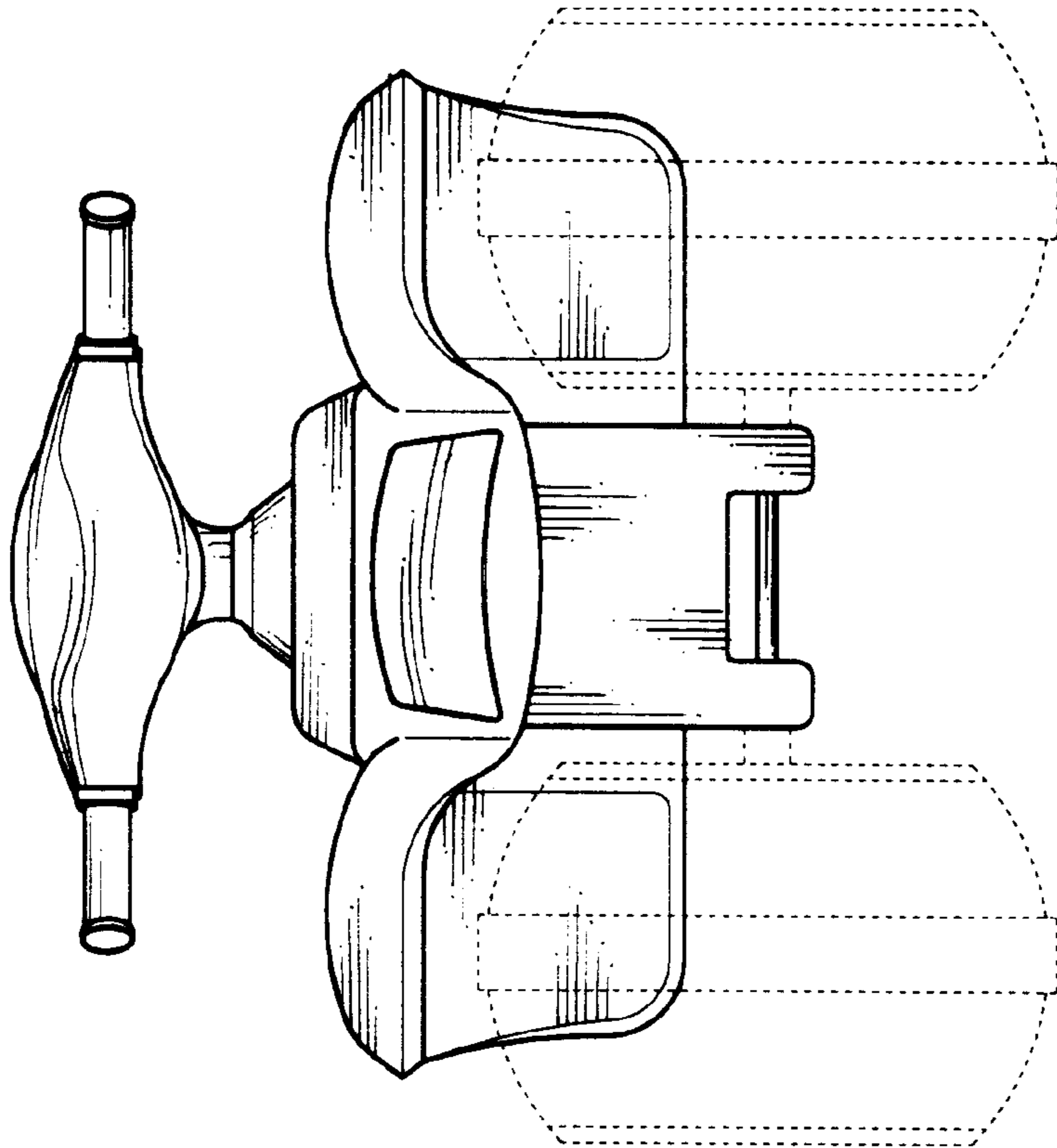


FIG. 7