



US00D423055S

United States Patent [19]

Demsien et al.

[11] Patent Number: **Des. 423,055**

[45] Date of Patent: **** Apr. 18, 2000**

[54] **PENCIL POCKET**

[75] Inventors: **Steven H. Demsien**, Oregon; **Kim Sloey**, Madison, both of Wis.

[73] Assignee: **Berol Corporation**, Madison, Wis.

[**] Term: **14 Years**

[21] Appl. No.: **29/096,006**

[22] Filed: **Nov. 3, 1998**

[51] **LOC (6) Cl.** **19-06**

[52] **U.S. Cl.** **D19/81; D19/85; D3/206**

[58] **Field of Search** D19/35, 36, 65, D19/75, 78, 81-85, 99, 100; 206/214, 476, 224, 371; D3/206; D18/18; 211/69.1-69.9; 434/415; 281/30, 31

[56] **References Cited**

U.S. PATENT DOCUMENTS

D. 127,501	5/1941	Kendrick	D18/18
D. 190,458	5/1961	Fleming	D3/206
D. 363,509	10/1995	Parekh et al.	D19/75
1,176,786	3/1916	Stranders	206/476
1,244,877	10/1917	Magami	434/415

2,637,299	5/1953	Salkey	206/214
4,562,923	1/1986	Katada et al.	206/214 X
5,036,973	8/1991	Aida	206/214
5,163,549	11/1992	Hayduchok	206/224 X

Primary Examiner—Martie K. Holtje
Attorney, Agent, or Firm—Foley & Lardner

[57] **CLAIM**

We claim the ornamental design for the pencil pocket, as shown and described.

DESCRIPTION

FIG. 1 is a perspective view of a pencil pocket showing our new design;
FIG. 2 is a top plan view;
FIG. 3 is a bottom plan view;
FIG. 4 is a front elevational view;
FIG. 5 is a rear elevational view;
FIG. 6 is a left side elevational view; and,
FIG. 7 is a right side elevational view thereof.

The structure depicted by means of broken lines has been shown for illustrative purposes only and forms no part of the claimed design.

1 Claim, 2 Drawing Sheets

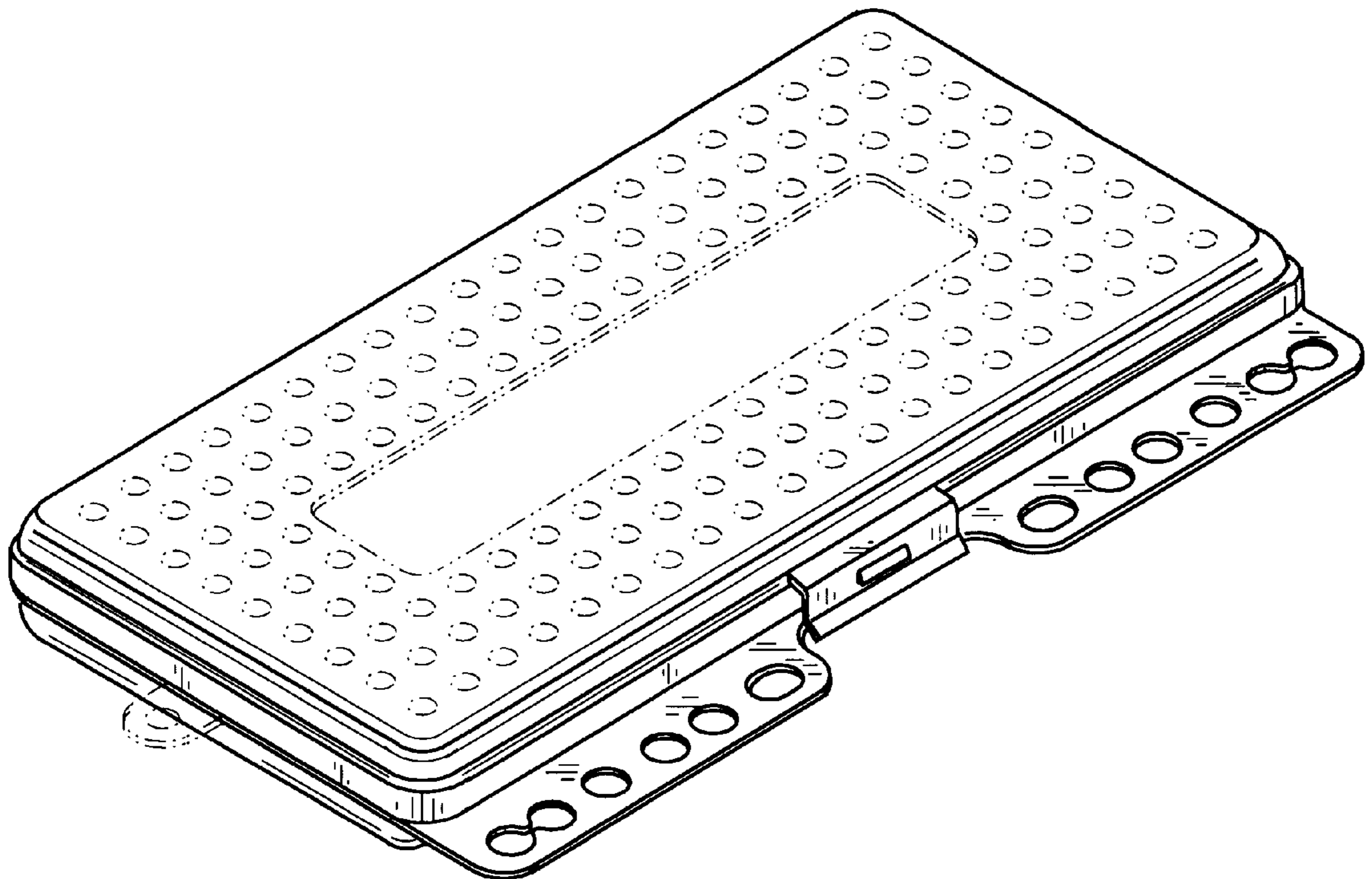


FIG. 1

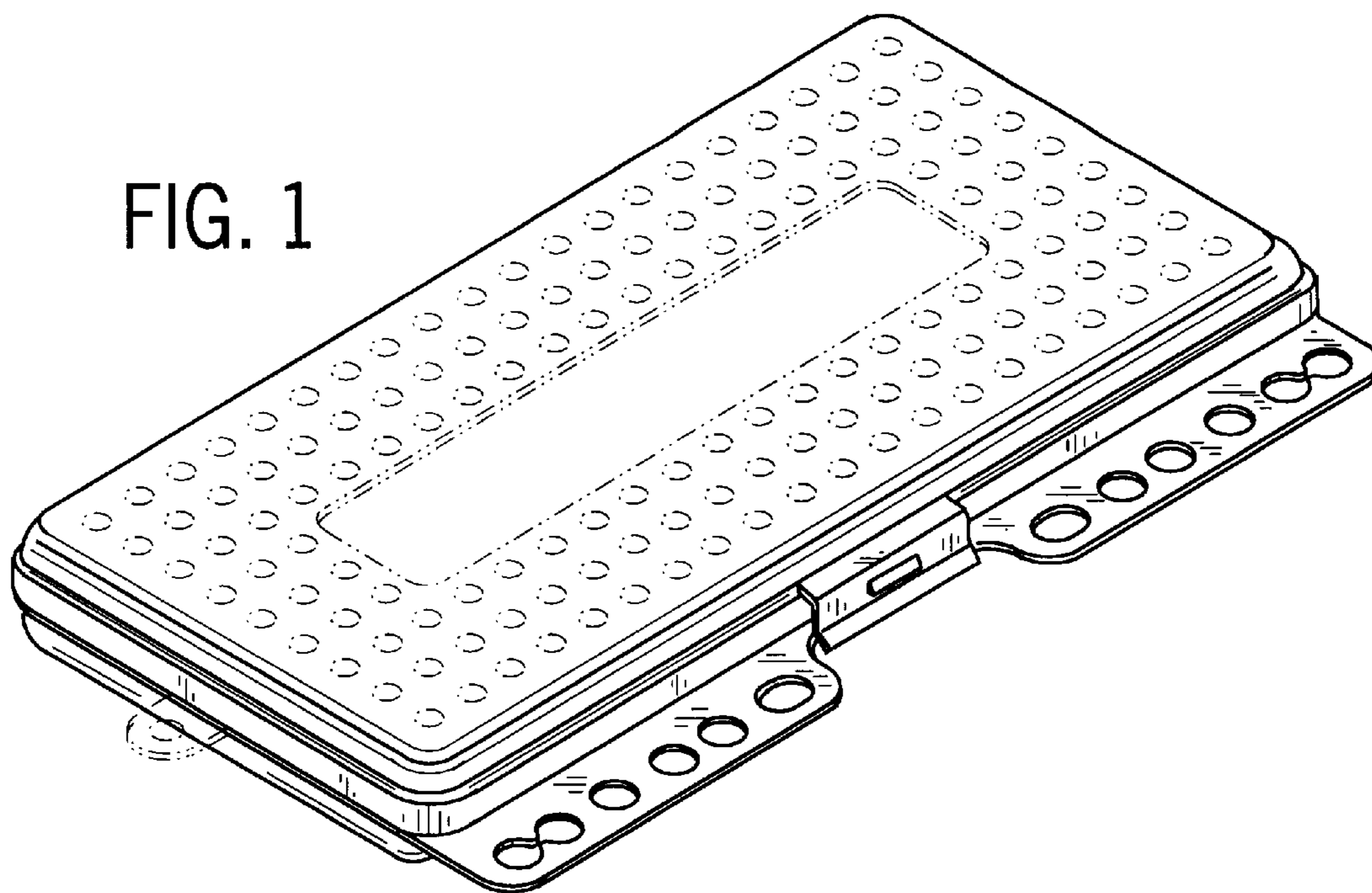


FIG. 2

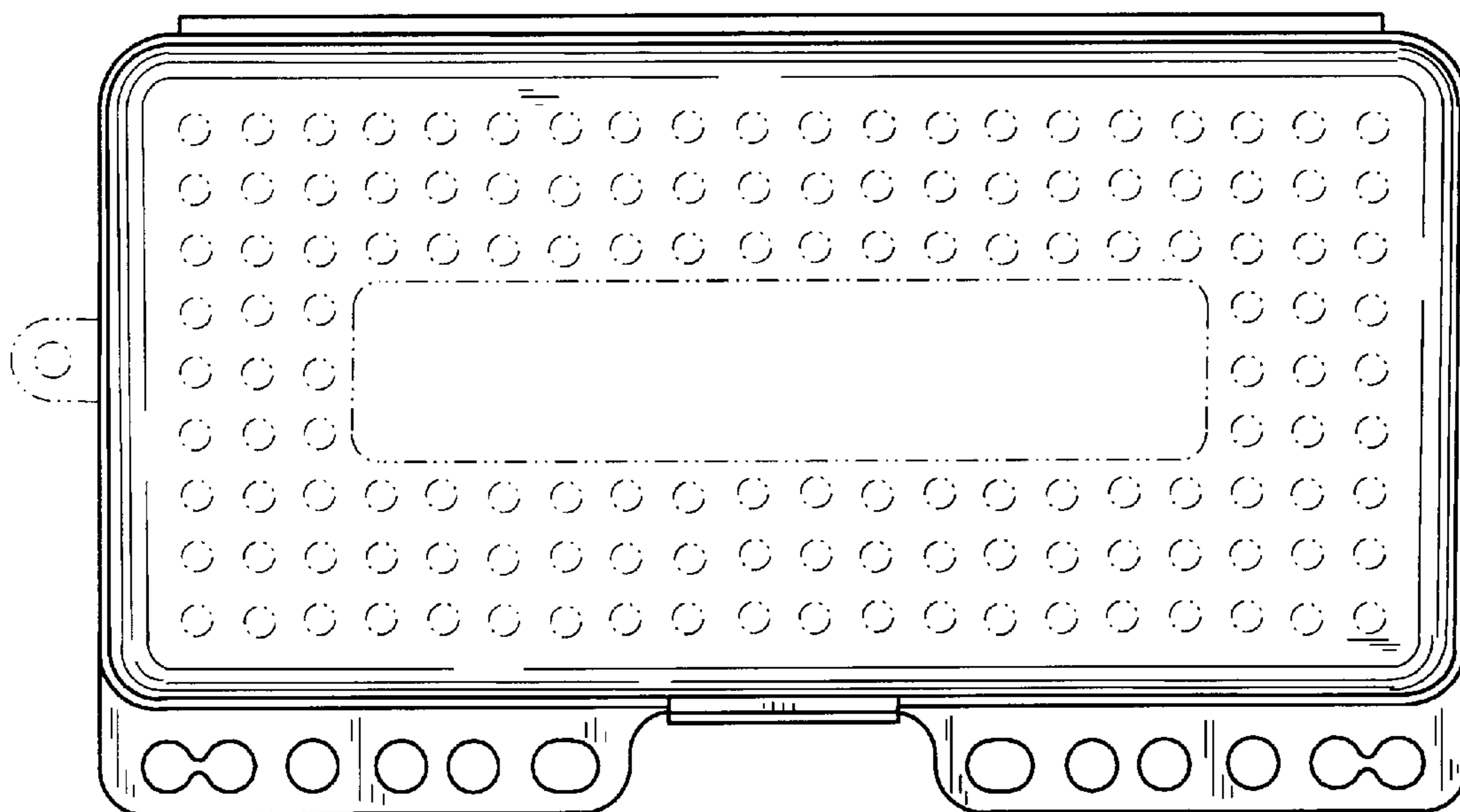


FIG. 3

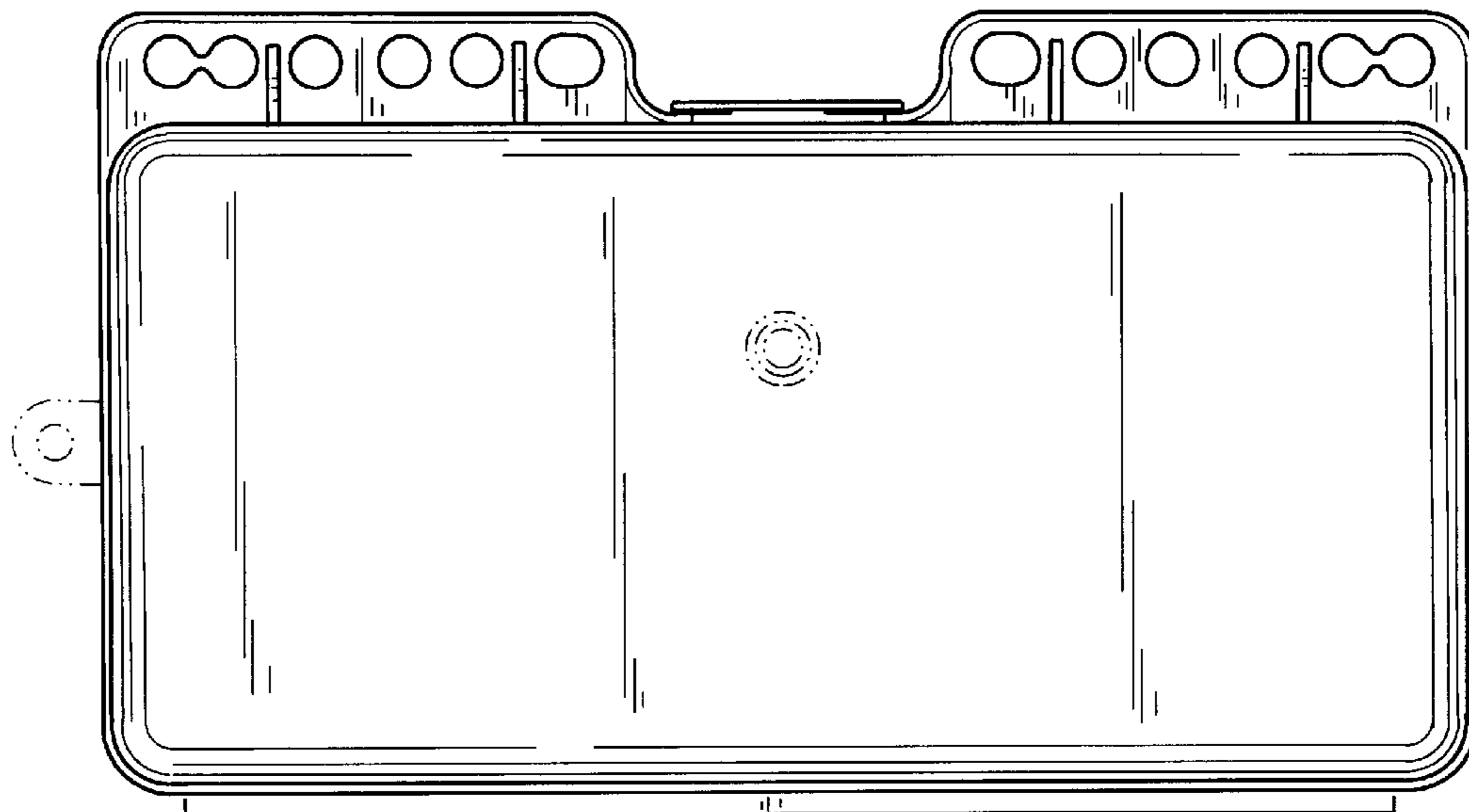


FIG. 4

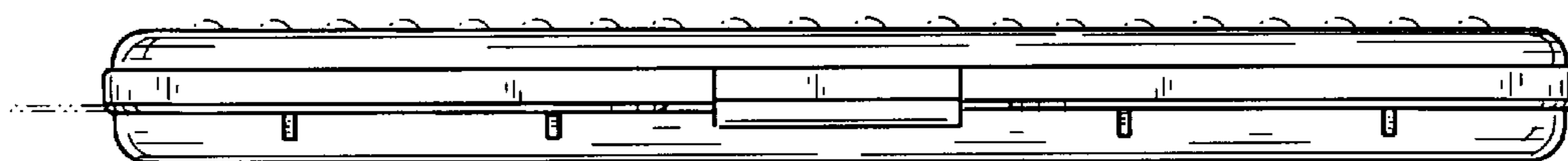


FIG. 5

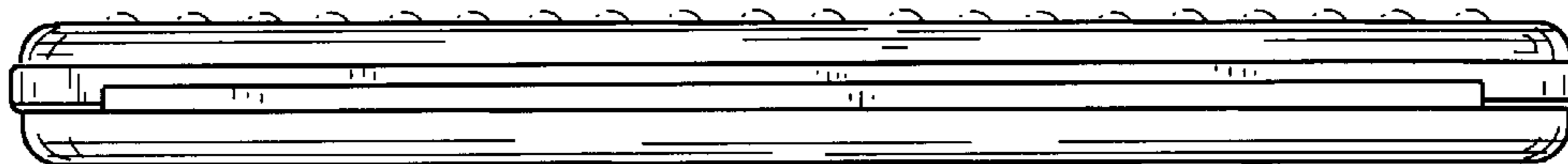


FIG. 6

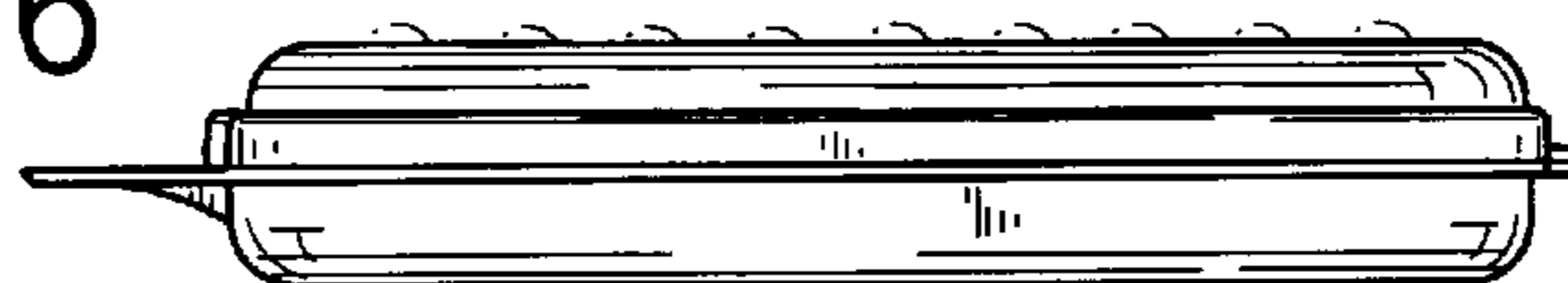


FIG. 7

