



US00D423049S

# United States Patent [19] Kohlhase

[11] **Patent Number: Des. 423,049**

[45] **Date of Patent: \*\* Apr. 18, 2000**

[54] **WRITING IMPLEMENT**

[75] Inventor: **Jens Kohlhase**, Braunschweig, Germany

[73] Assignee: **Volkswagen AG**, Wolfsburg, Germany

[\*\*] Term: **14 Years**

[21] Appl. No.: **29/097,589**

[22] Filed: **Dec. 10, 1998**

[51] **LOC (6) Cl.** ..... **19-06**

[52] **U.S. Cl.** ..... **D19/47; D19/43; D19/51**

[58] **Field of Search** ..... D19/35, 36, 41-51, D19/53-58, 81-85; 401/6, 7, 88, 99, 100, 209, 292

[56] **References Cited**

**U.S. PATENT DOCUMENTS**

- D. 267,655 1/1983 Vozona ..... D19/51
- D. 350,771 9/1994 Kettmeir ..... D19/43 X

- D. 359,758 6/1995 Inami ..... D19/55
- D. 388,825 1/1998 Kouda ..... D19/49
- 3,671,132 6/1972 Wittnebert ..... 401/292

*Primary Examiner*—Martie K. Holtje  
*Attorney, Agent, or Firm*—Cohen, Pontani, Lieberman & Pavane

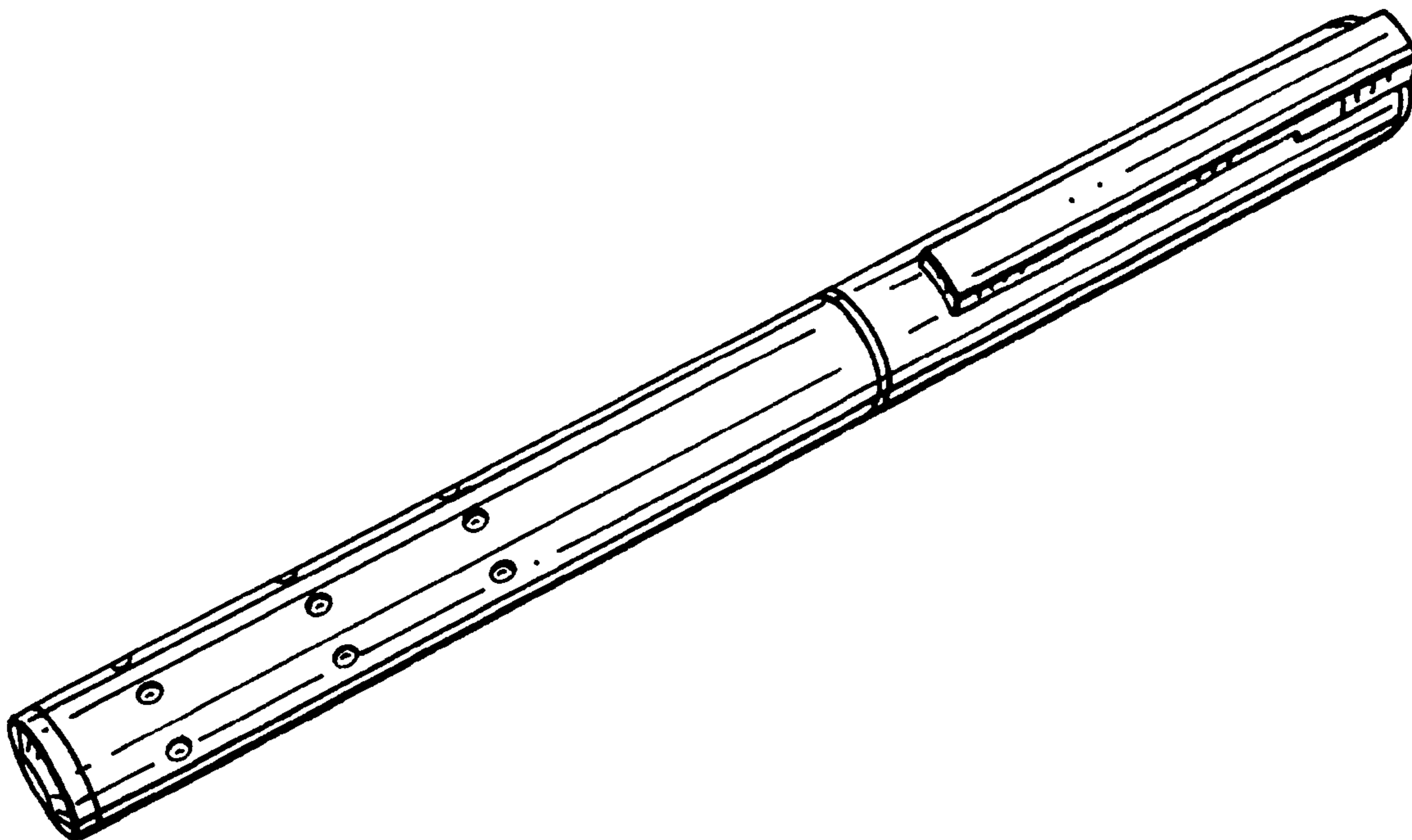
[57] **CLAIM**

The ornamental design for a writing implement, as shown.

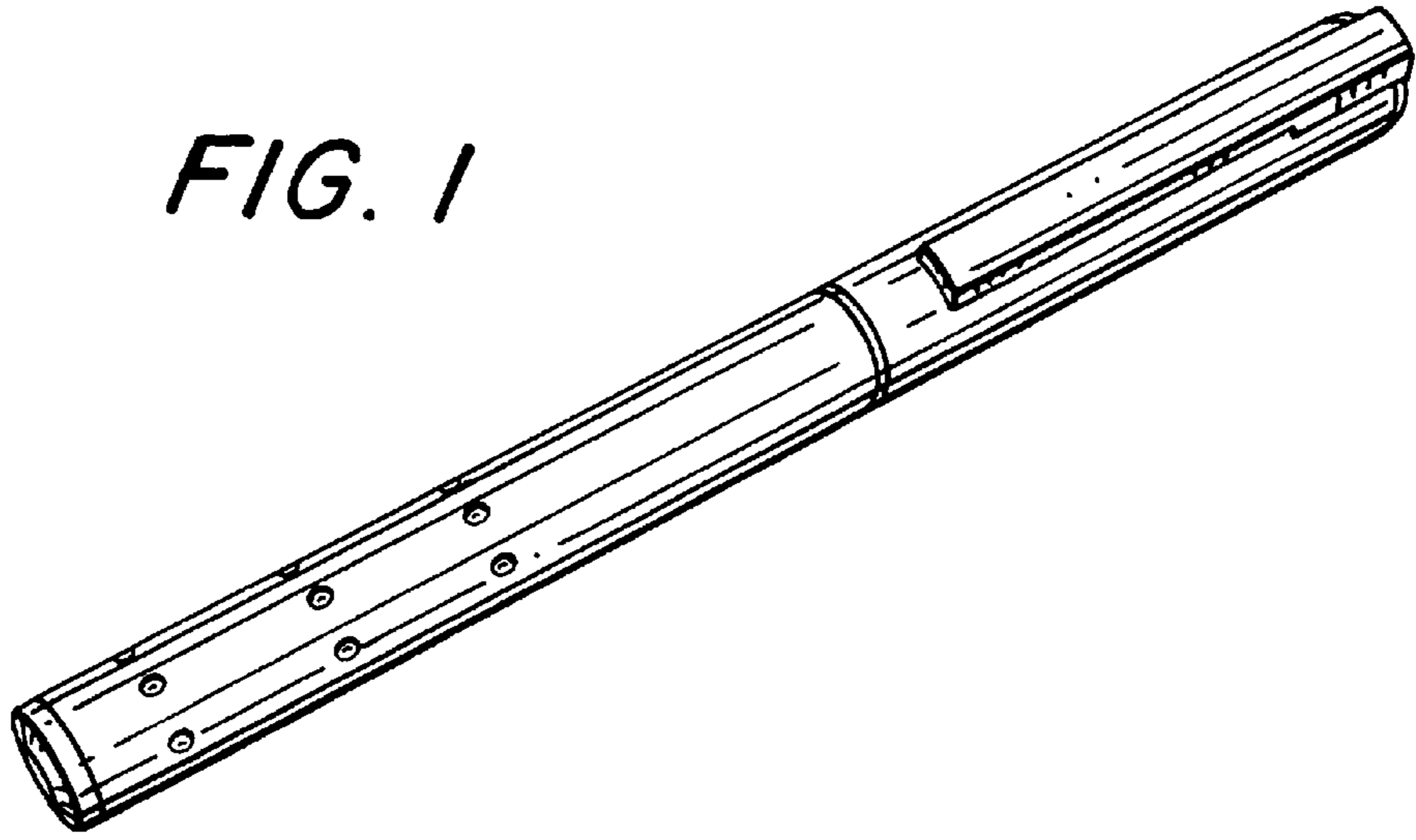
**DESCRIPTION**

FIG. 1 is a front perspective view of the writing implement of the present invention;  
FIG. 2 is a front elevational view thereof;  
FIG. 3 is a rear view thereof;  
FIG. 4 is a right side view thereof;  
FIG. 5 is a left side view thereof; and  
FIG. 6 is a bottom view thereof; and,  
FIG. 7 is a top view thereof.

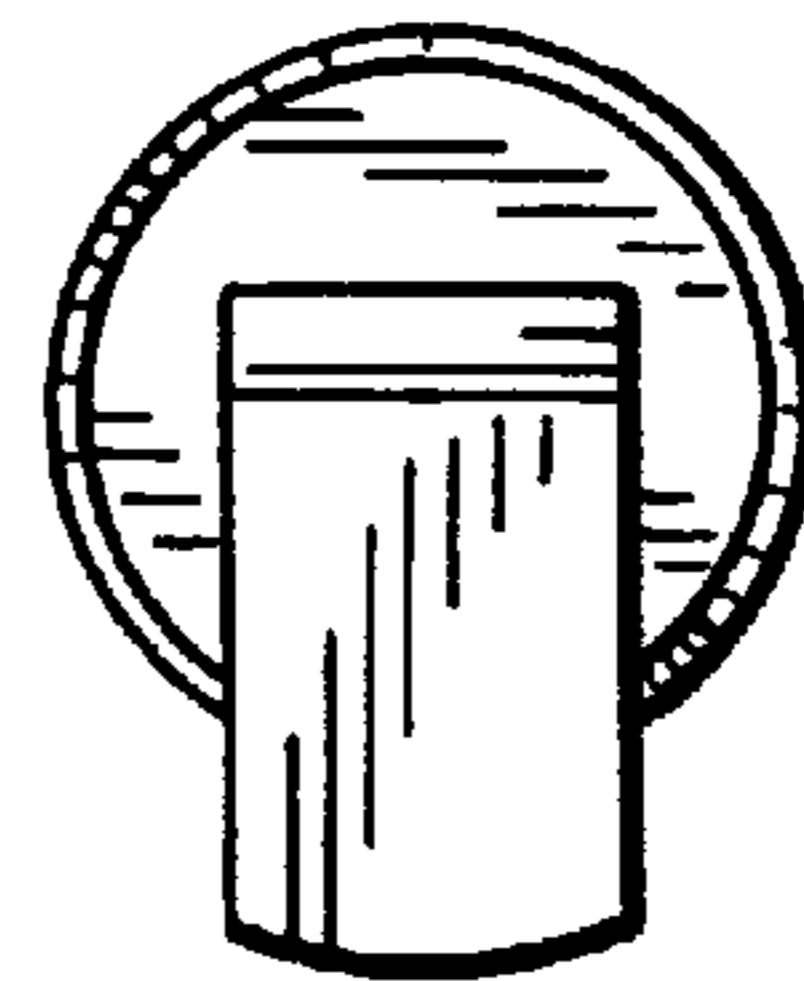
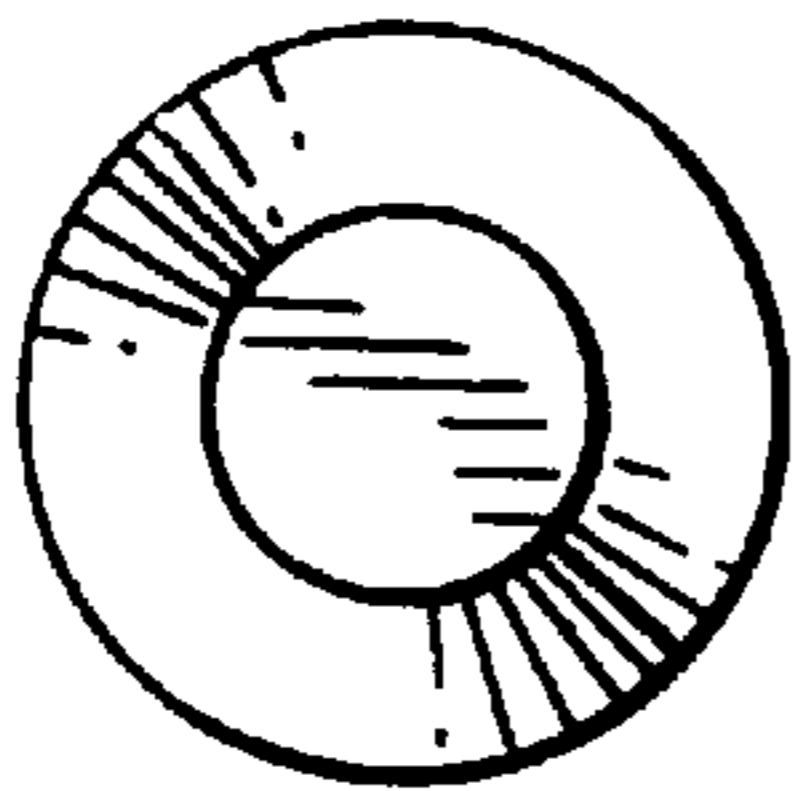
**1 Claim, 2 Drawing Sheets**



*FIG. 1*



*FIG. 6*



*FIG. 7*

FIG. 5

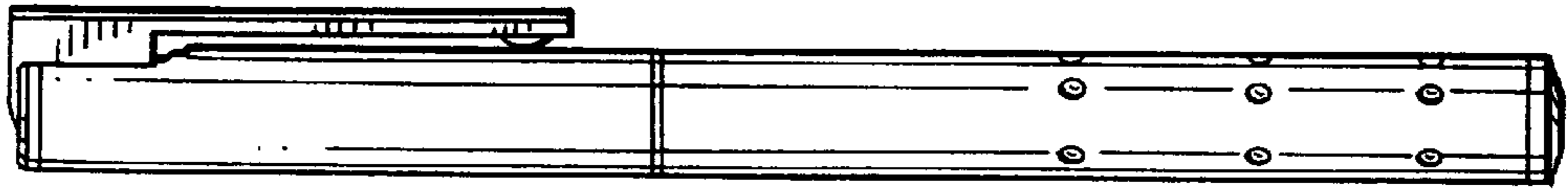


FIG. 4

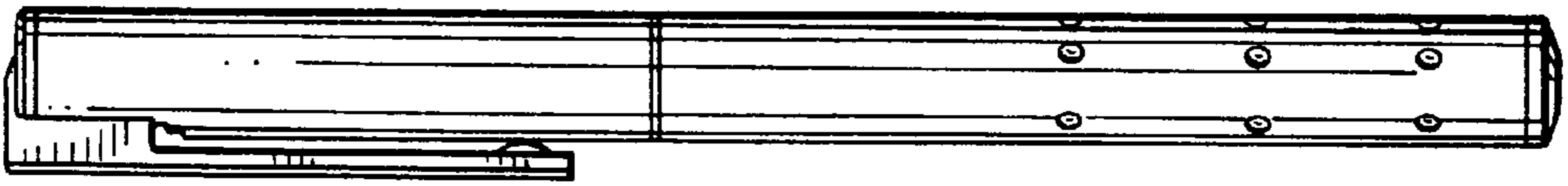


FIG. 3

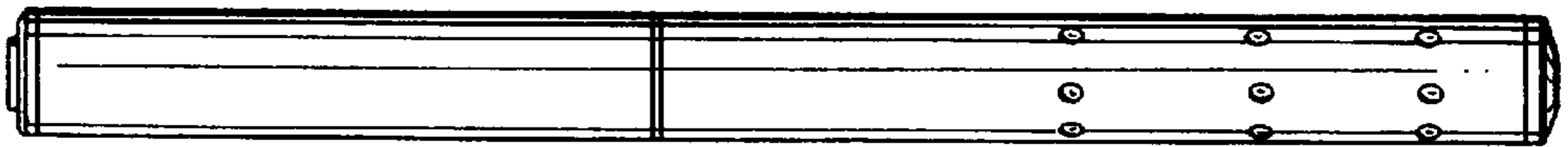


FIG. 2

