



US00D423046S

United States Patent [19]

[11] Patent Number: Des. 423,046

Jordin et al.

[45] Date of Patent: ** Apr. 18, 2000

[54] ATTACHMENT APPARATUS FOR SECURING AN ELECTRONIC DEVICE TO A LOOSE-LEAF SUPPORT ASSEMBLY

5,209,592	5/1993	Bedol .	
5,232,301	8/1993	Bianco .	
5,295,758	3/1994	Bianco	402/79
5,597,256	1/1997	Burton et al. .	
5,695,294	12/1997	Bedol et al.	402/79
5,876,144	3/1999	Bedol et al.	402/4

[75] Inventors: **Cherell Jordin**, Draper; **Gary B. Hogge**, Kaysville; **Jeffrey O. Brown**, North Logan, all of Utah

Primary Examiner—Martie K. Holtje
Attorney, Agent, or Firm—Trask, Britt & Rossa

[73] Assignee: **Franklin Covey Co.**, Salt Lake City, Utah

[57] CLAIM

[**] Term: **14 Years**

The ornamental design for an attachment apparatus for securing an electronic device to a loose-leaf support assembly, as shown and described.

[21] Appl. No.: **29/104,547**

DESCRIPTION

[22] Filed: **May 7, 1999**

[51] LOC (6) Cl. **19-04**

FIG. 1 is a front perspective view of an attachment apparatus for securing an electronic device to a loose-leaf support assembly showing our new design, the electronic device depicted by means of broken lines being shown for illustrative purposes only and forming no part of the claimed design;

[52] U.S. Cl. **D19/32; D18/12; D19/65**

[58] Field of Search D19/26, 27, 32, D19/33, 65, 72; 281/22, 15.1, 31, 27.1, 27.2, 27.3, 29, 45, 51; 402/4, 79, 80 R, 73, 502, 503; D18/2, 7, 12

FIG. 2 is a second perspective view;

FIG. 3 is a rear elevational view;

FIG. 4 is a front elevational view;

FIG. 5 is a left side elevational view;

FIG. 6 is a right side elevational view;

FIG. 7 is a bottom plan view; and,

FIG. 8 is a top plan view thereof.

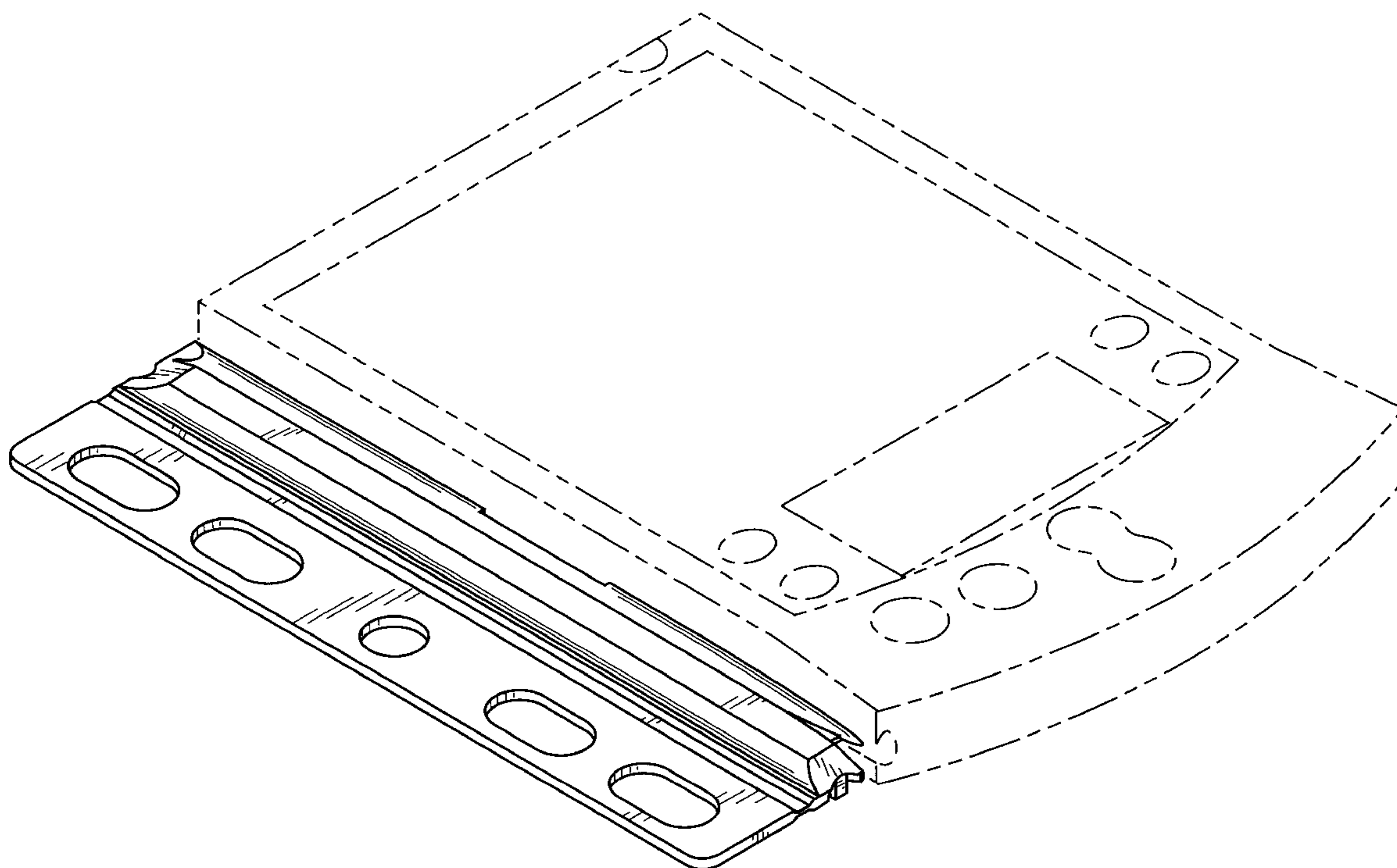
The phantom line showing a portion of an electronic device in FIG. 1 is for illustrative purposes only and forms no part of the claimed design.

[56] References Cited

U.S. PATENT DOCUMENTS

D. 269,187	5/1983	Petersen	D19/32
D. 343,187	1/1994	Webb et al. .	
D. 345,757	4/1994	Webb et al. .	
D. 350,971	9/1994	Lassberg	D18/2
D. 396,245	7/1998	Ng	D19/72
D. 403,016	12/1998	Bedol et al.	D19/32
D. 411,231	6/1999	Bigelow	D19/32
4,832,191	5/1989	Gerver et al. .	
4,918,632	4/1990	York .	

1 Claim, 3 Drawing Sheets



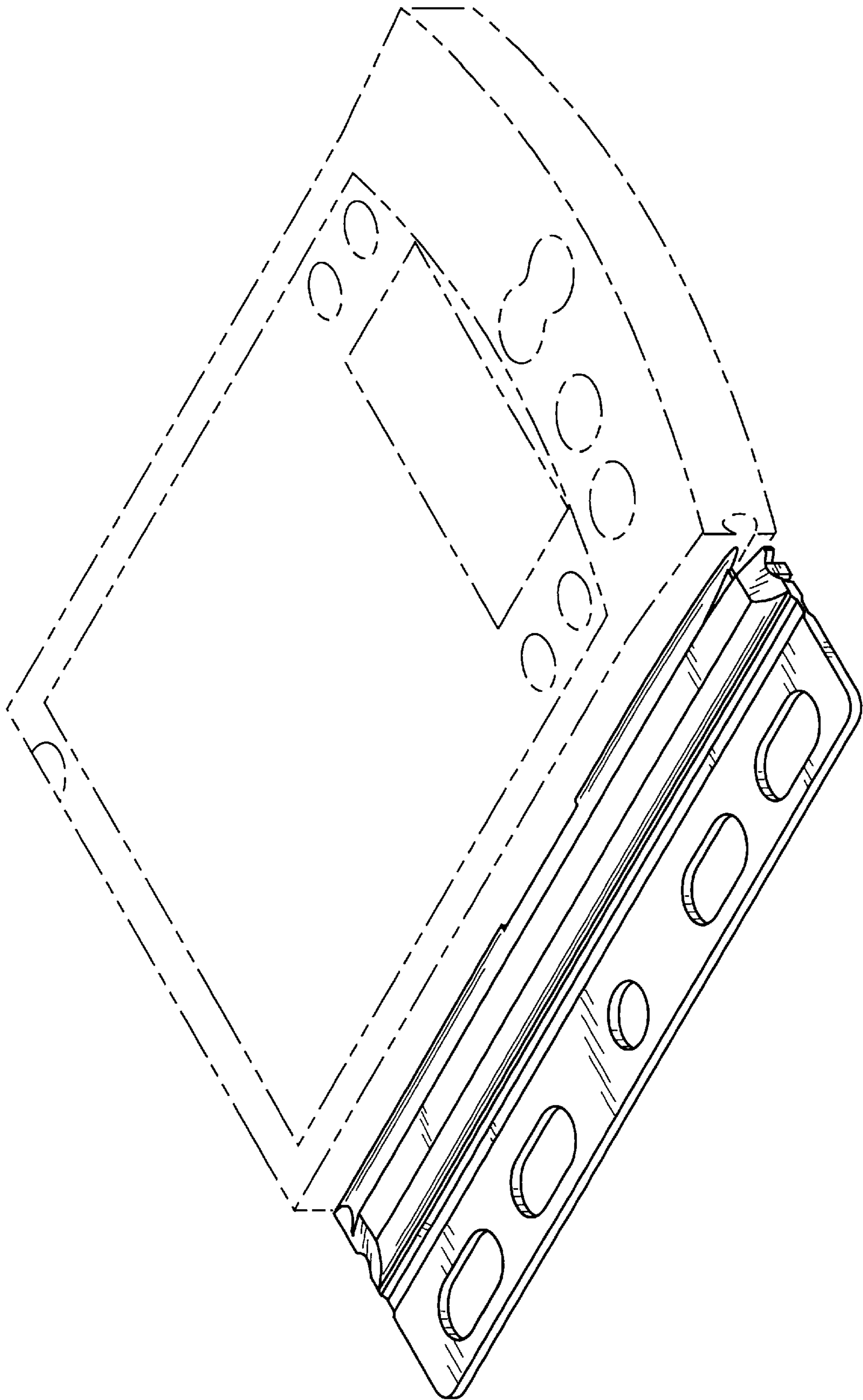


Fig. 1

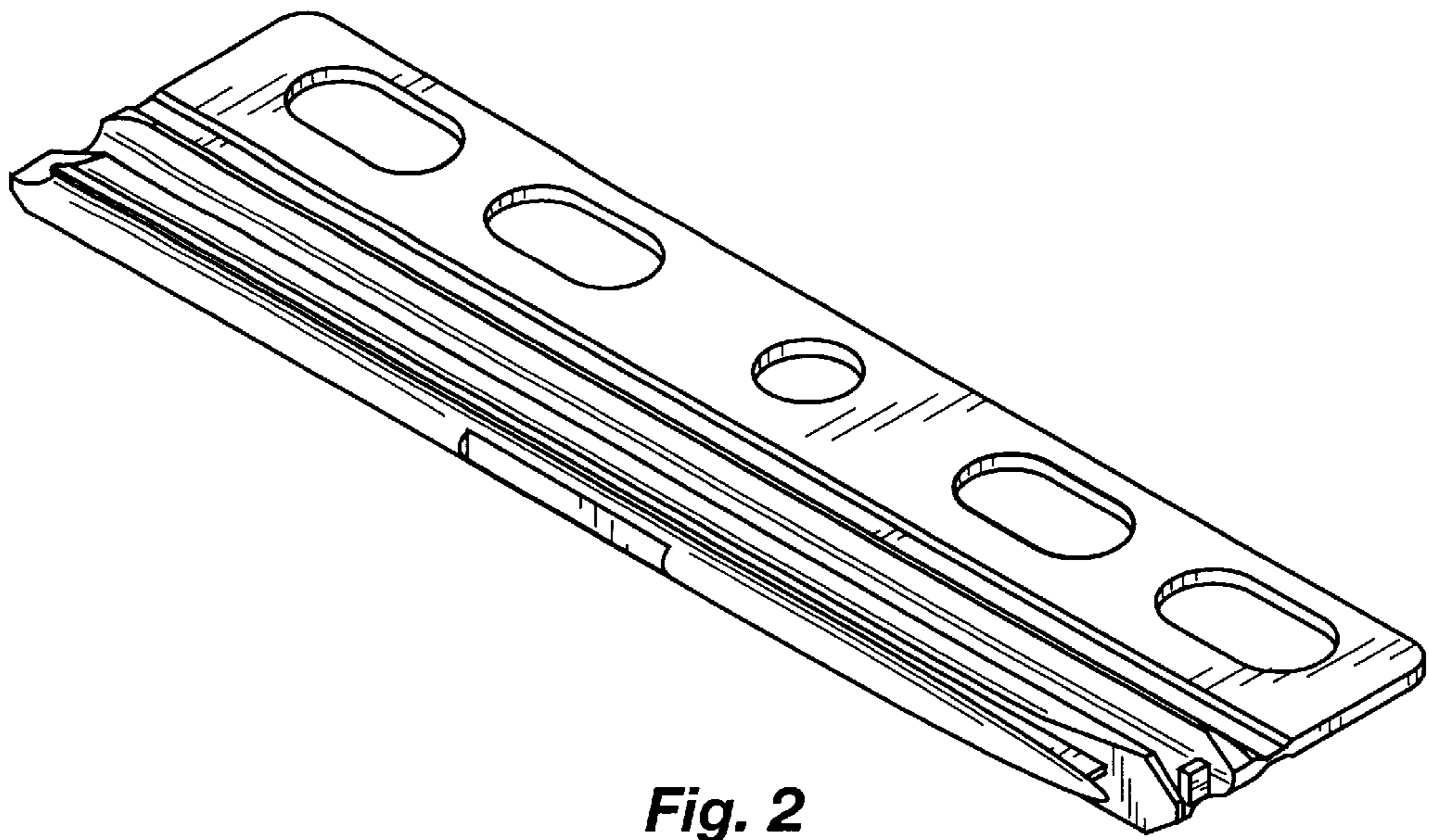


Fig. 2

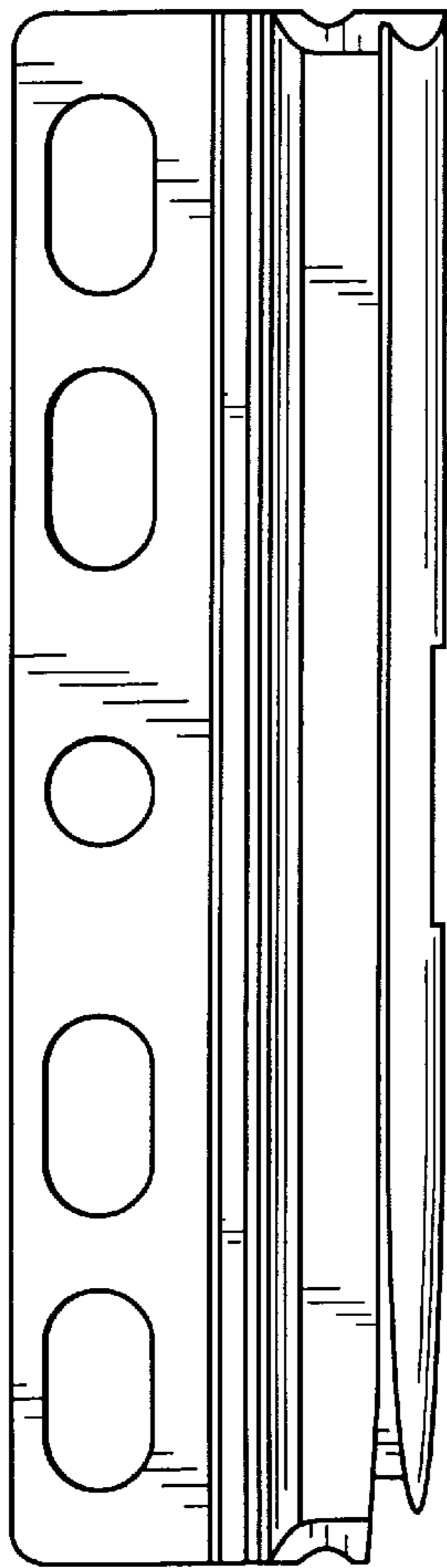


Fig. 3

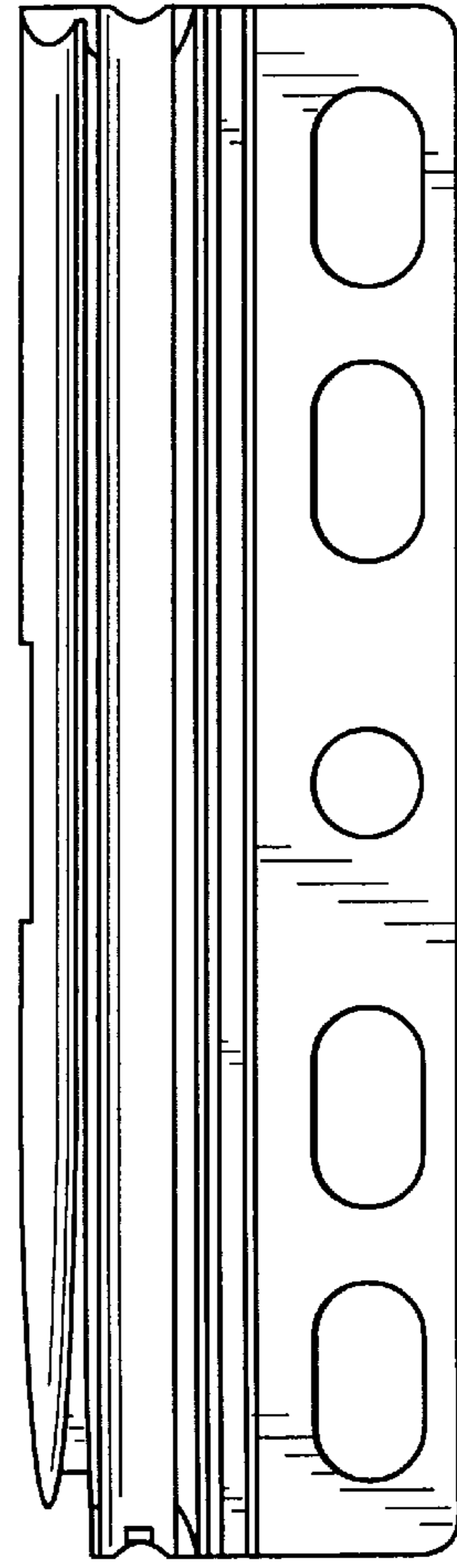


Fig. 4

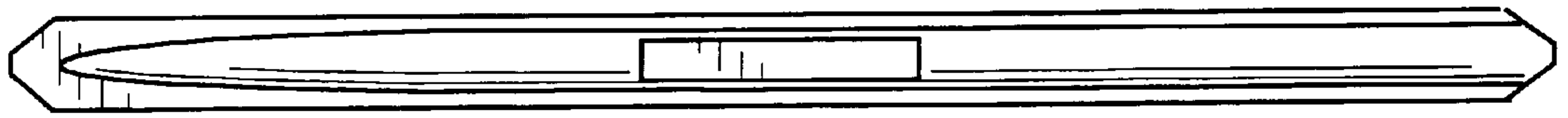


Fig. 5

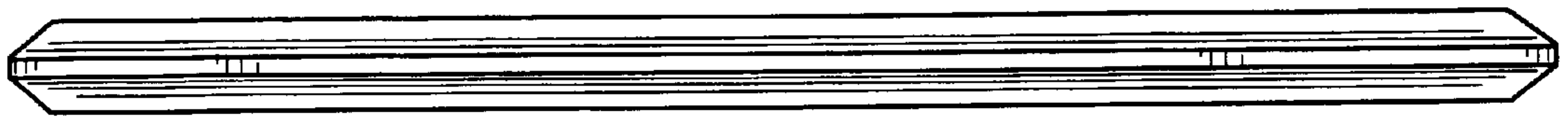


Fig. 6



Fig. 7



Fig. 8

UNITED STATES PATENT AND TRADEMARK OFFICE
CERTIFICATE OF CORRECTION

PATENT NO. : Des. 423,046
DATED : April 18, 2000
INVENTOR(S) : Cherell Jordin, Gary B. Hogge and Jeffery O. Brown

Page 1 of 1

It is certified that error appears in the above-identified patent and that said Letters Patent is hereby corrected as shown below:

Title page,
Item [75], Inventors, change “**Jeffrey**” to -- **Jeffery** --

Signed and Sealed this

Twenty-fourth Day of June, 2003

A handwritten signature in black ink, appearing to read "James E. Rogan", written over a horizontal line.

JAMES E. ROGAN
Director of the United States Patent and Trademark Office