



US00D423044S

United States Patent [19]

Burke et al.

[11] Patent Number: Des. 423,044

[45] Date of Patent: ** Apr. 18, 2000

[54] TAB COMPATIBLE DIVIDER LABEL SHEET

[75] Inventors: **Robert Burke**, Covina; **Kristen Saifman**, Corona del Mar, both of Calif.; **Jerry Hodsdon**, Holliston, Mass.

[73] Assignee: **Avery Dennison Corporation**, Pasadena, Calif.

[**] Term: **14 Years**

[21] Appl. No.: **29/096,126**

[22] Filed: **Nov. 5, 1998**

[51] LOC (6) Cl. **19-01**

[52] U.S. Cl. **D19/1**

[58] Field of Search D19/1, 2, 26, 33, D19/65; D11/95; D20/11, 22, 27; 40/1.5, 638, 641, 665; 101/369; 283/61, 62, 75, 81, 101, 103, 105; 428/41.5, 42.1, 42.3, 40.1; 156/248

[56] References Cited

U.S. PATENT DOCUMENTS

D. 274,240 6/1984 Donadio D19/1
2,783,172 2/1957 Avery 40/638

4,833,122 5/1989 Doll et al. 283/81
4,952,433 8/1990 Tezuka et al. 428/42.3
5,543,191 8/1996 Dronzek, Jr. et al. 428/41.5
5,653,472 8/1997 Huddleston et al. 283/75
5,829,789 11/1998 Treleven et al. 283/81

Primary Examiner—Doris V. Coles
Assistant Examiner—Mimosa De
Attorney, Agent, or Firm—Oppenheimer Wolff & Donnelly LLP

[57] CLAIM

The ornamental design for tab compatible divider label sheet, as shown and described.

DESCRIPTION

FIG. 1 is a perspective view of the front of the tab compatible divider label sheet;
FIG. 2 is a back perspective view thereof;
FIG. 3 is an enlarged fragmentary perspective view of the area within the circle area 3 in FIG. 1 showing one of the labels partially removed; and,
FIG. 4 is a cross-sectional view taken along the line 4—4 in FIG. 3 with the thickness exaggerated for clarity of illustration.

1 Claim, 2 Drawing Sheets

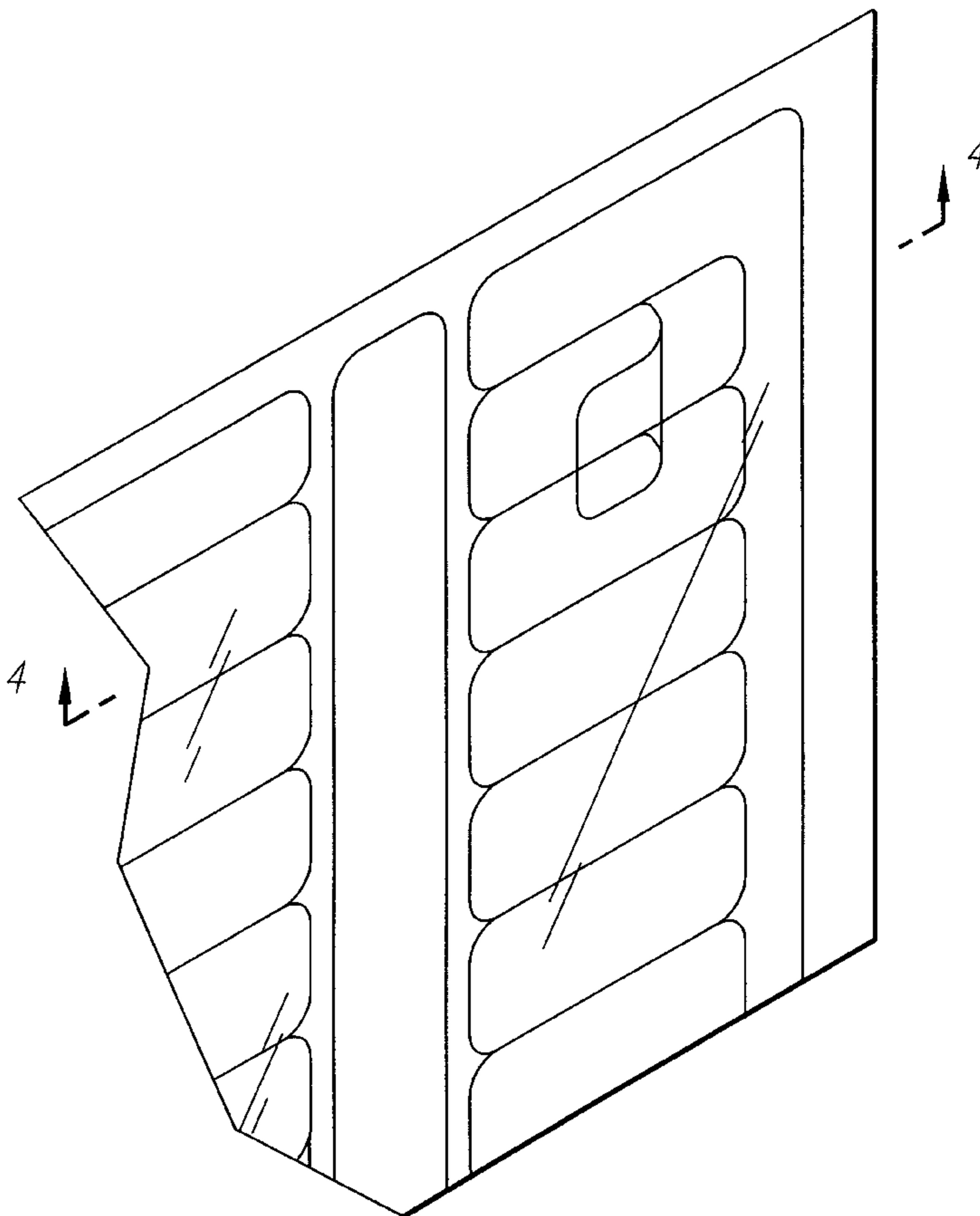
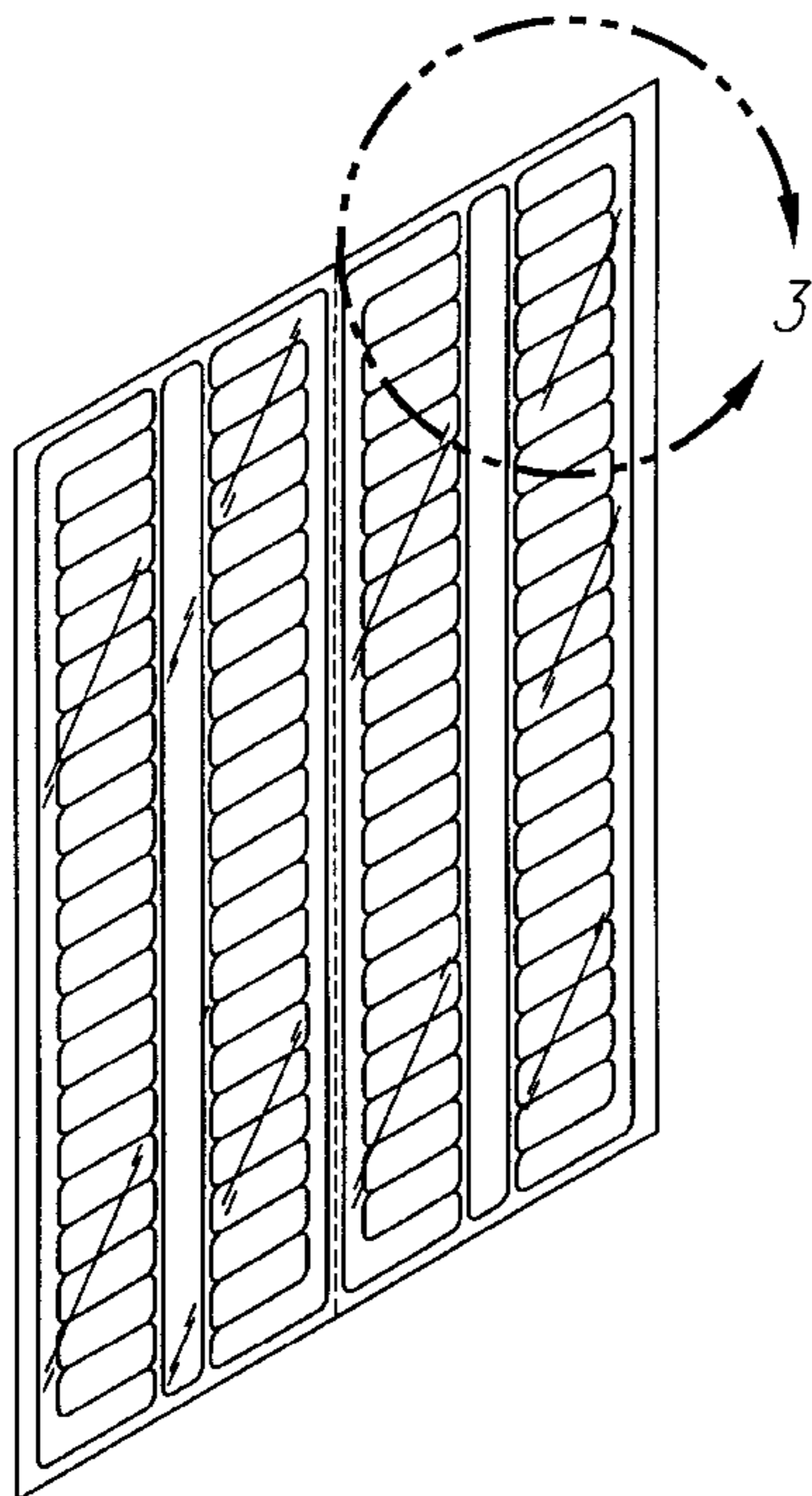


FIG. 1

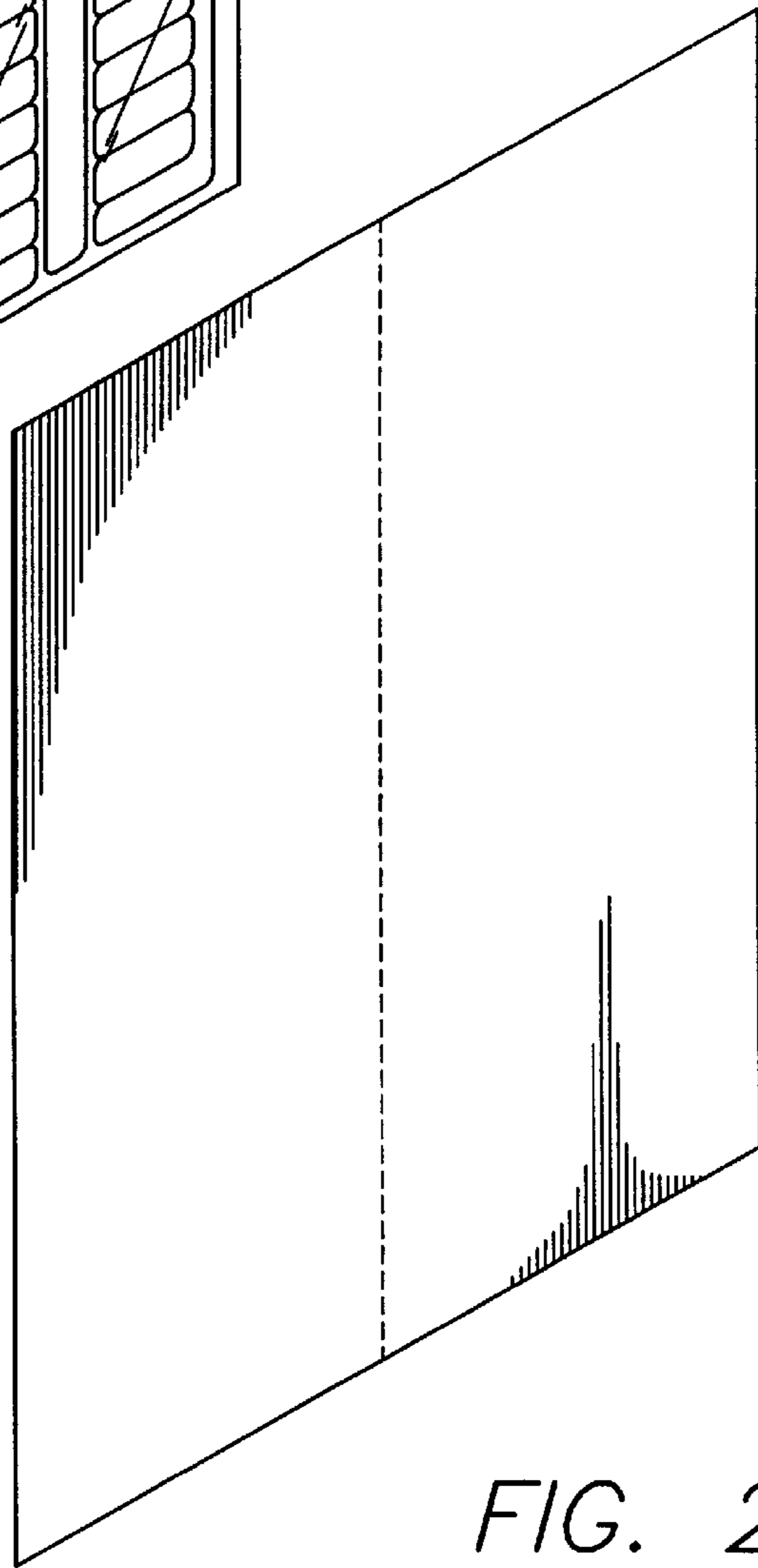
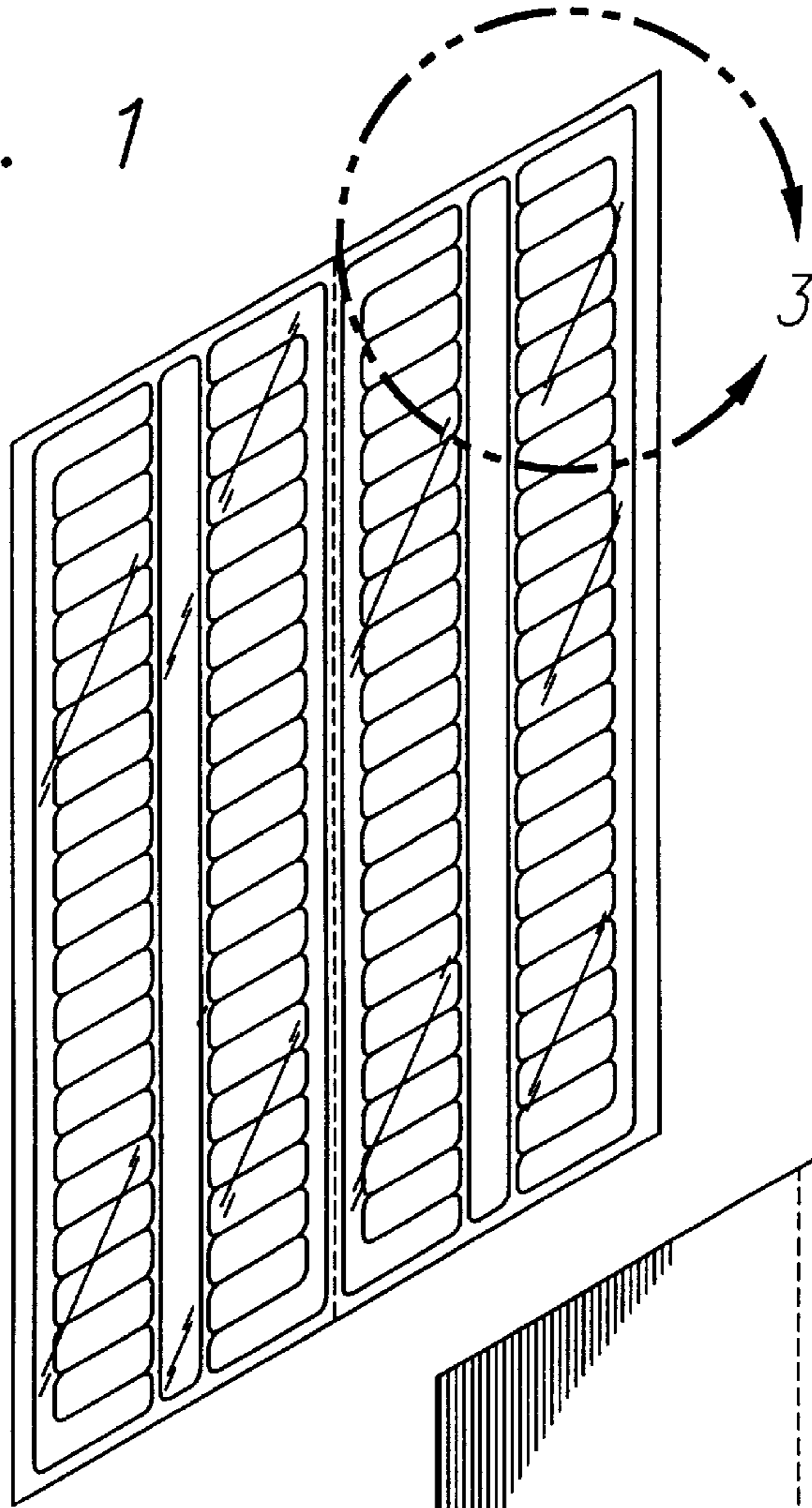


FIG. 2

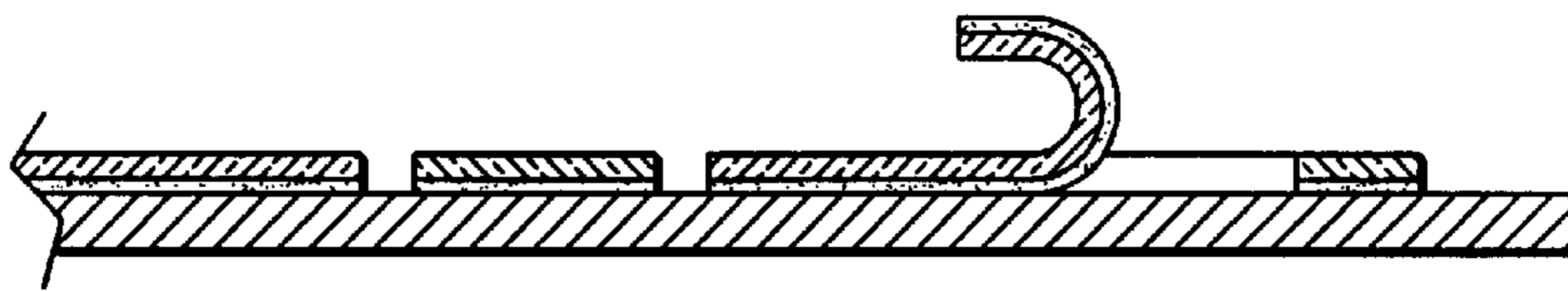
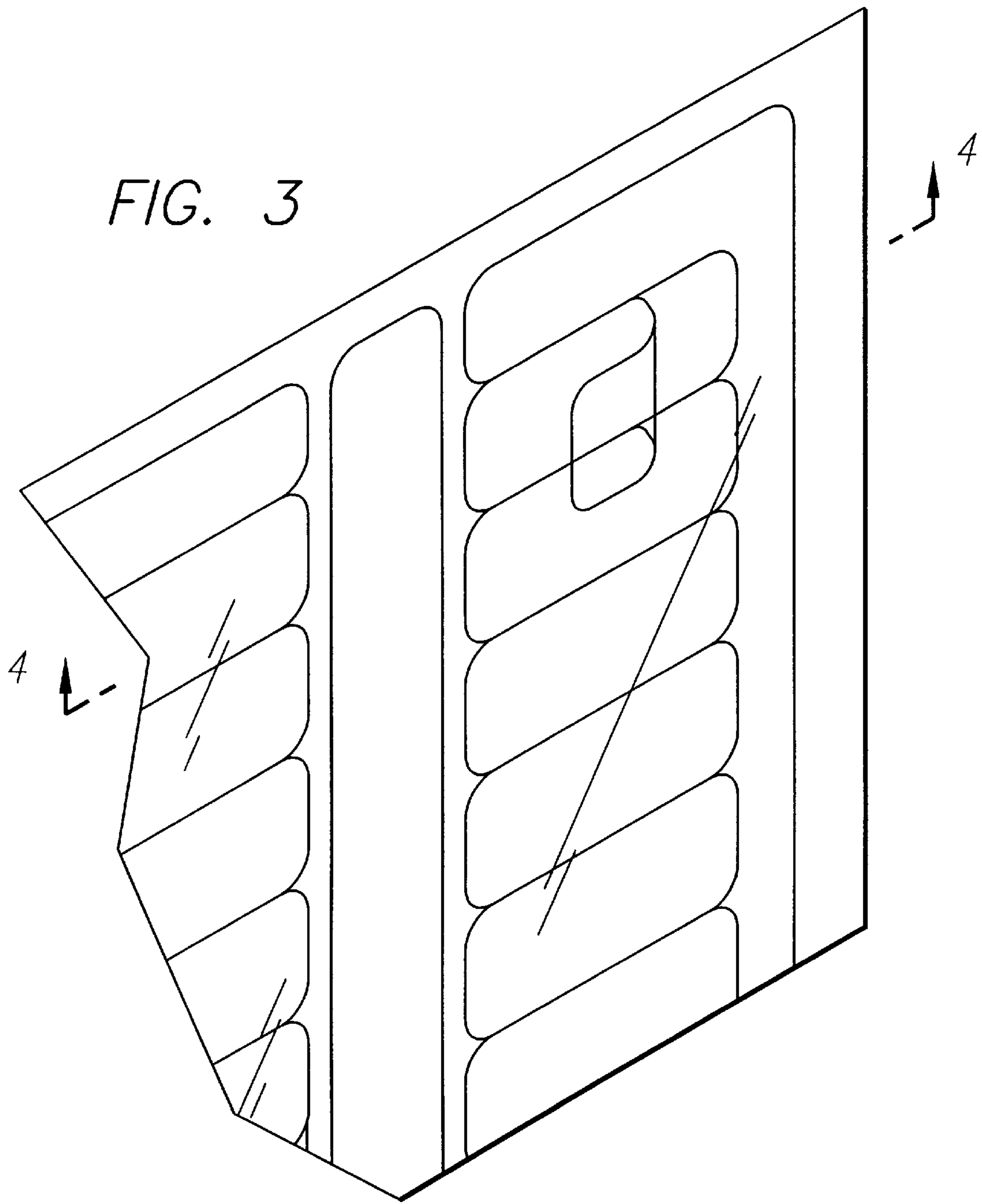


FIG. 4